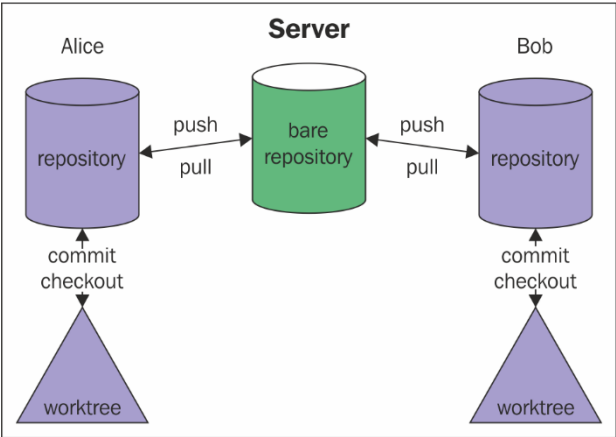
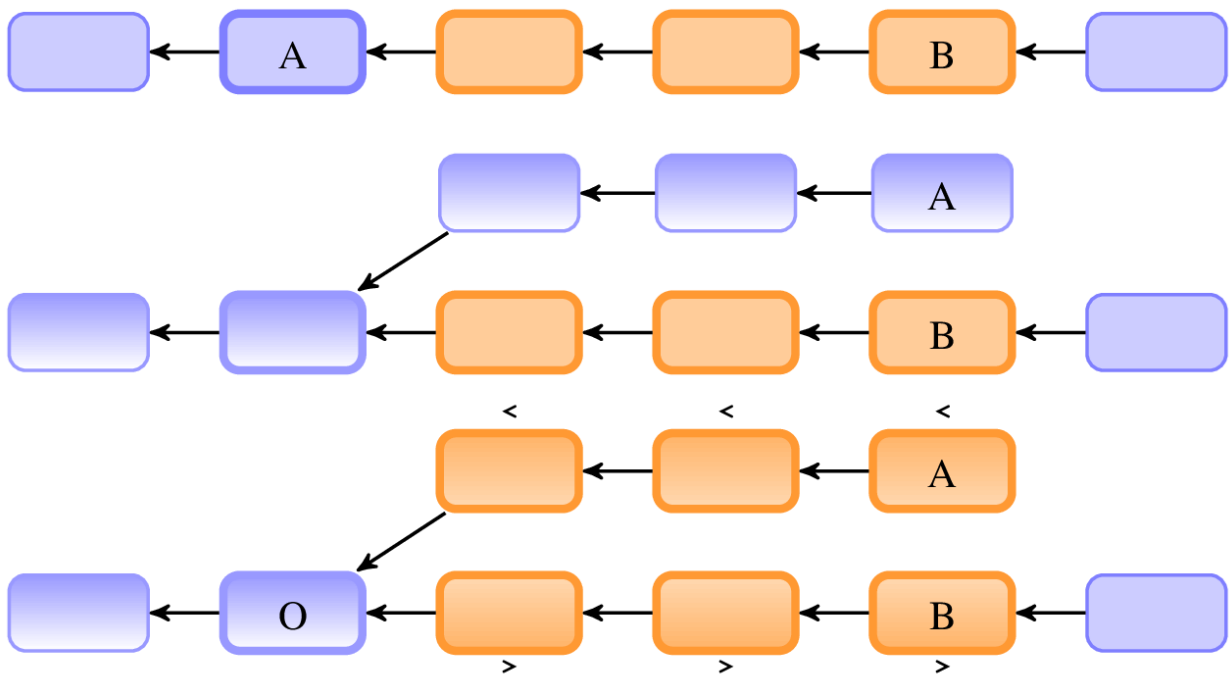
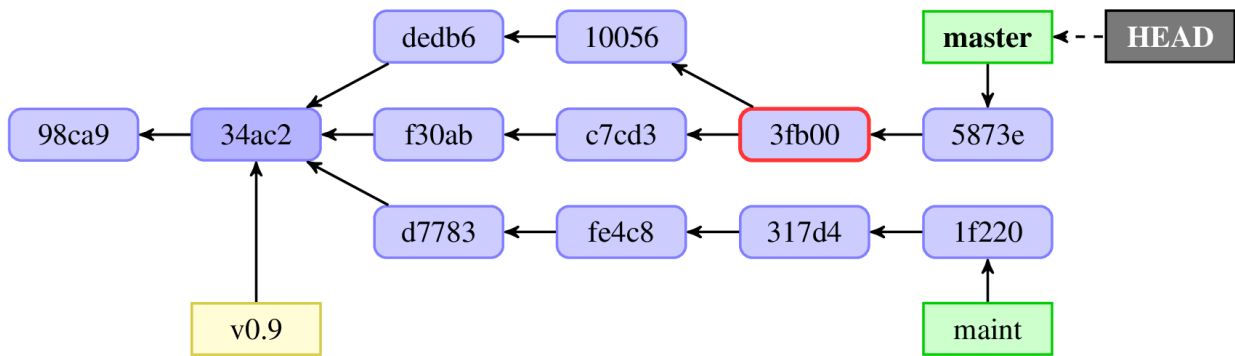
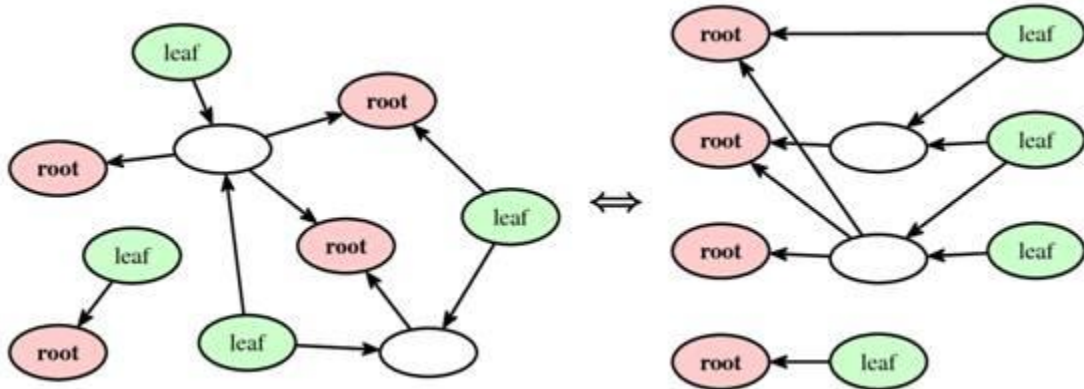
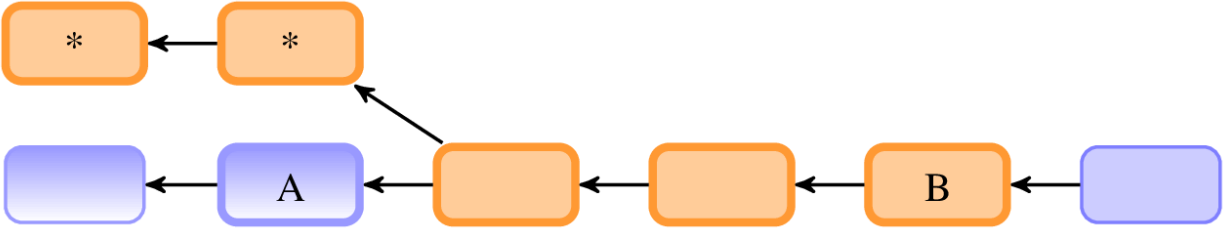


Chapter 1: Git Basics in Practice



Chapter 2: Exploring Project History





```

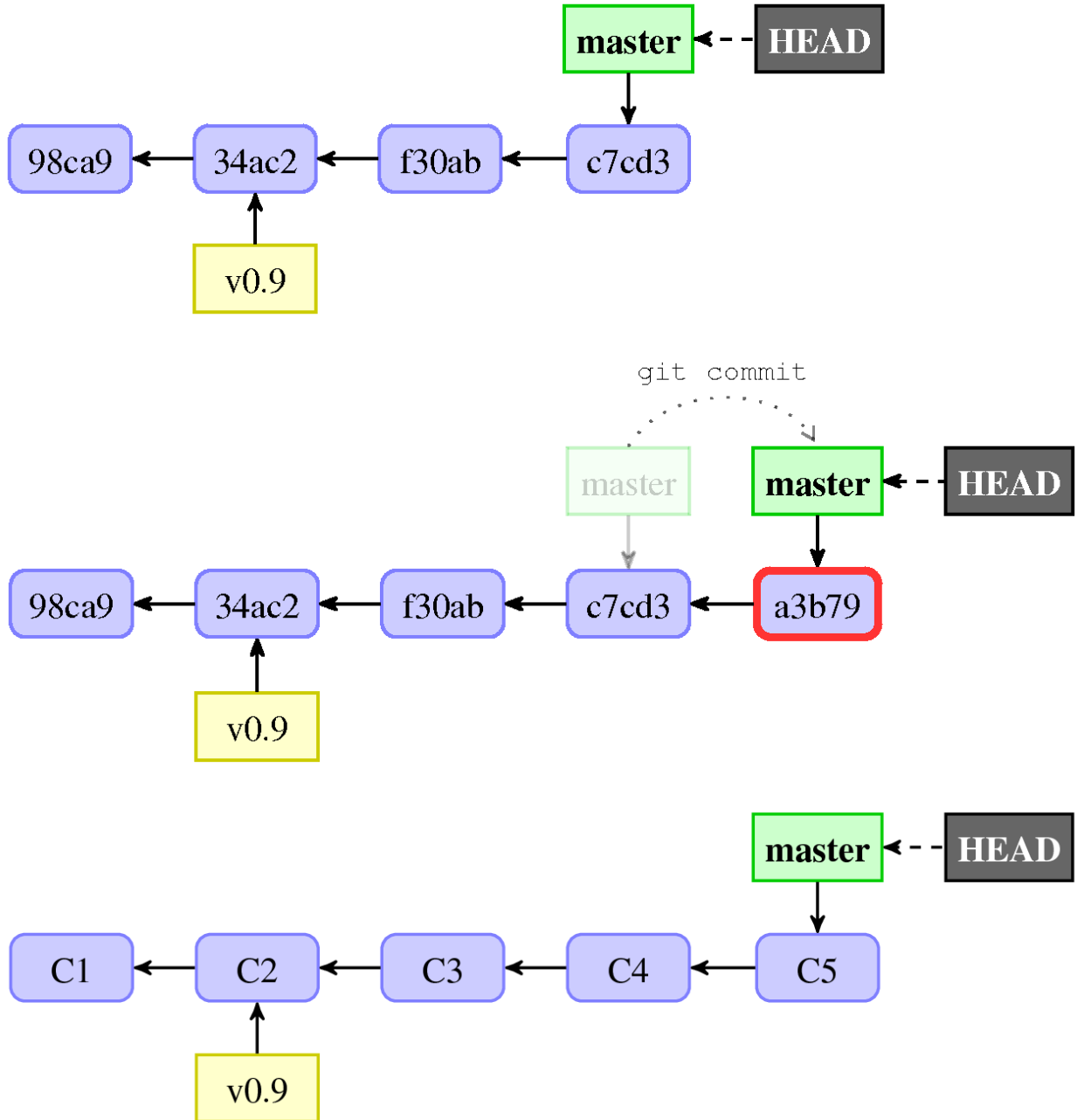
File Viewer
Commit: master File: fetch-pack.c
7199 7199 51 static unsigned int allow_unadvertised_object_
23d6 745f 52
JS NTND 53 static void rev_list_push(struct commit *commi
| | 54 {
| | 55     if (!(commit->object.flags & mark)) {
| | 56         commit->object.flags |= mark;
| |
| |
745f 006 Originally By:
NTND JI commit 23d61f8343282643c830e1c446962b213dbcc09a
| | Johannes Schindelin Fri Oct 28 04:46:27 2005
| | 745f Subject: [PATCH] git-fetch-pack: Do not use git-rev-list
0993 099f
745f 745 Copied Or Moved Here By:
NTND NTND commit 745f7a8caca55df3e00507344d8db2a31eb57e8
| | Nguyễn Thái Ngọc Duy Fri Oct 26 17:53:55 2012
| | fetch-pack: move core code to libgit.a
| |
commit 23d61f8343282643c830e1c446962b213dbcc09a
Author: Johannes Schindelin <Johannes.Schindelin@gmx.de> Fri Oct 28 04:46:
Committer: Junio C Hamano <gitster@pobox.com> Sat Oct 29 07:56:58 2005

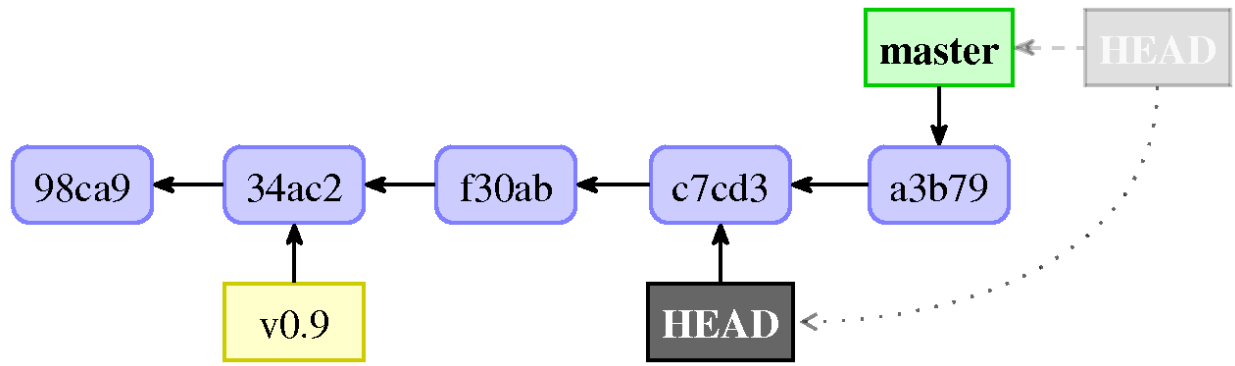
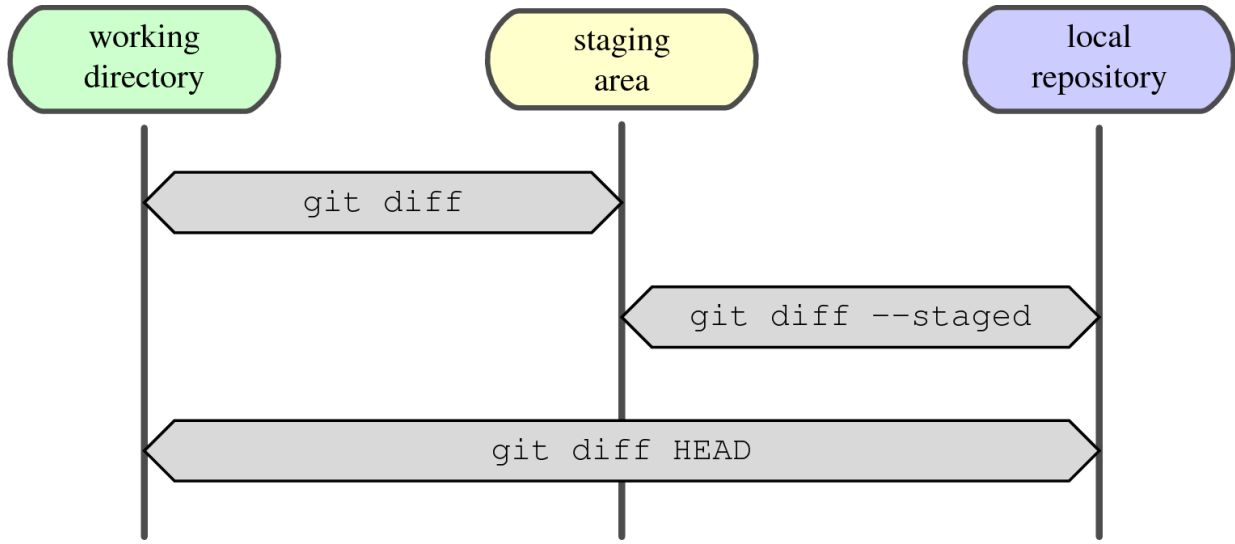
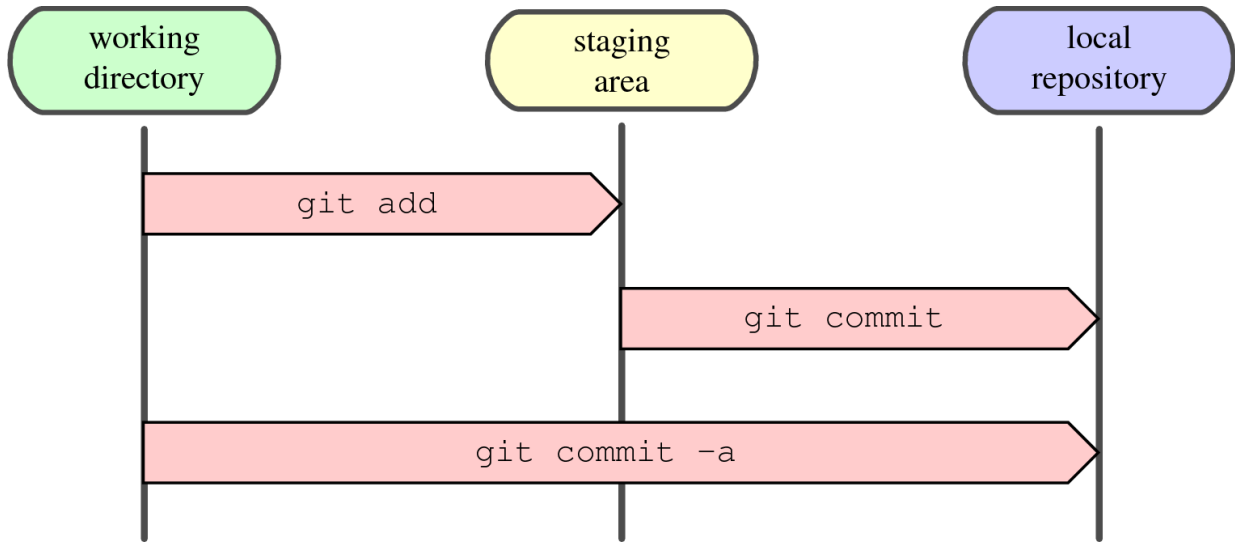
Subject: [PATCH] git-fetch-pack: Do not use git-rev-list

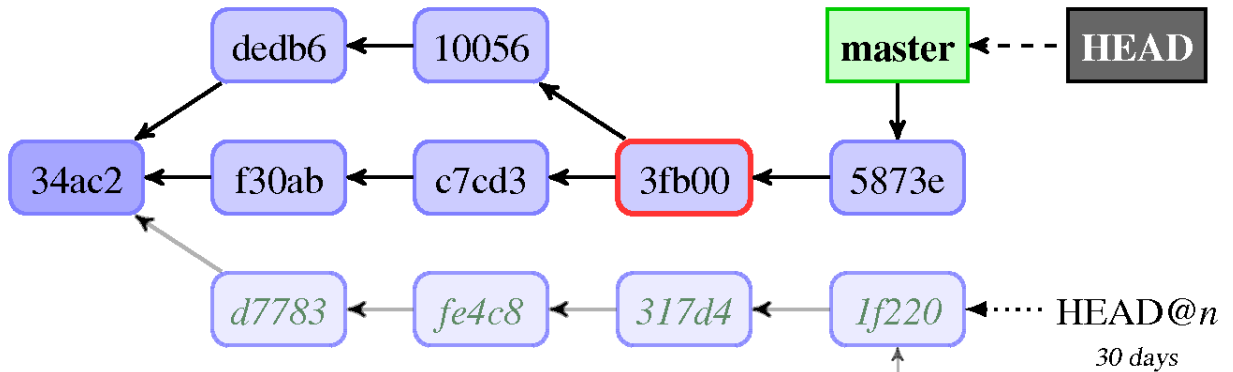
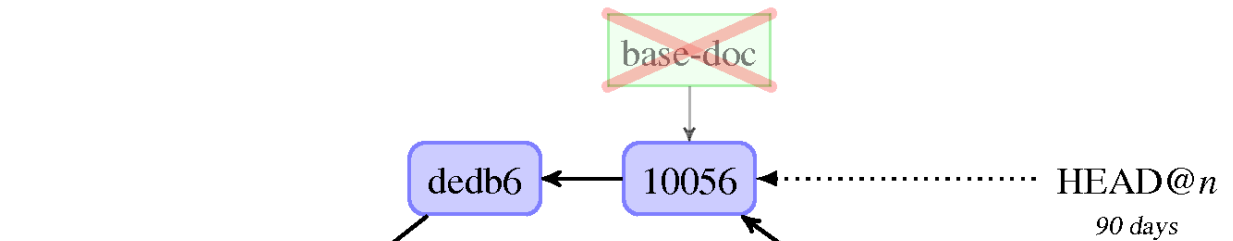
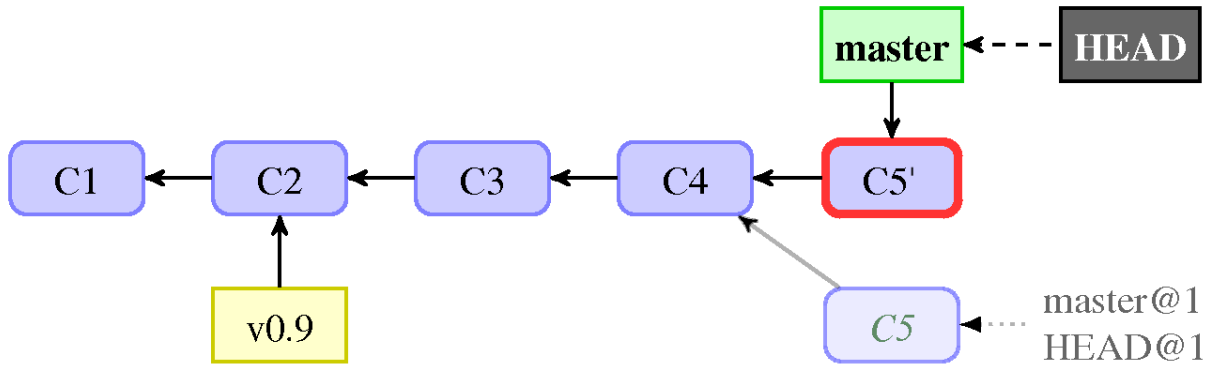
Annotation complete.

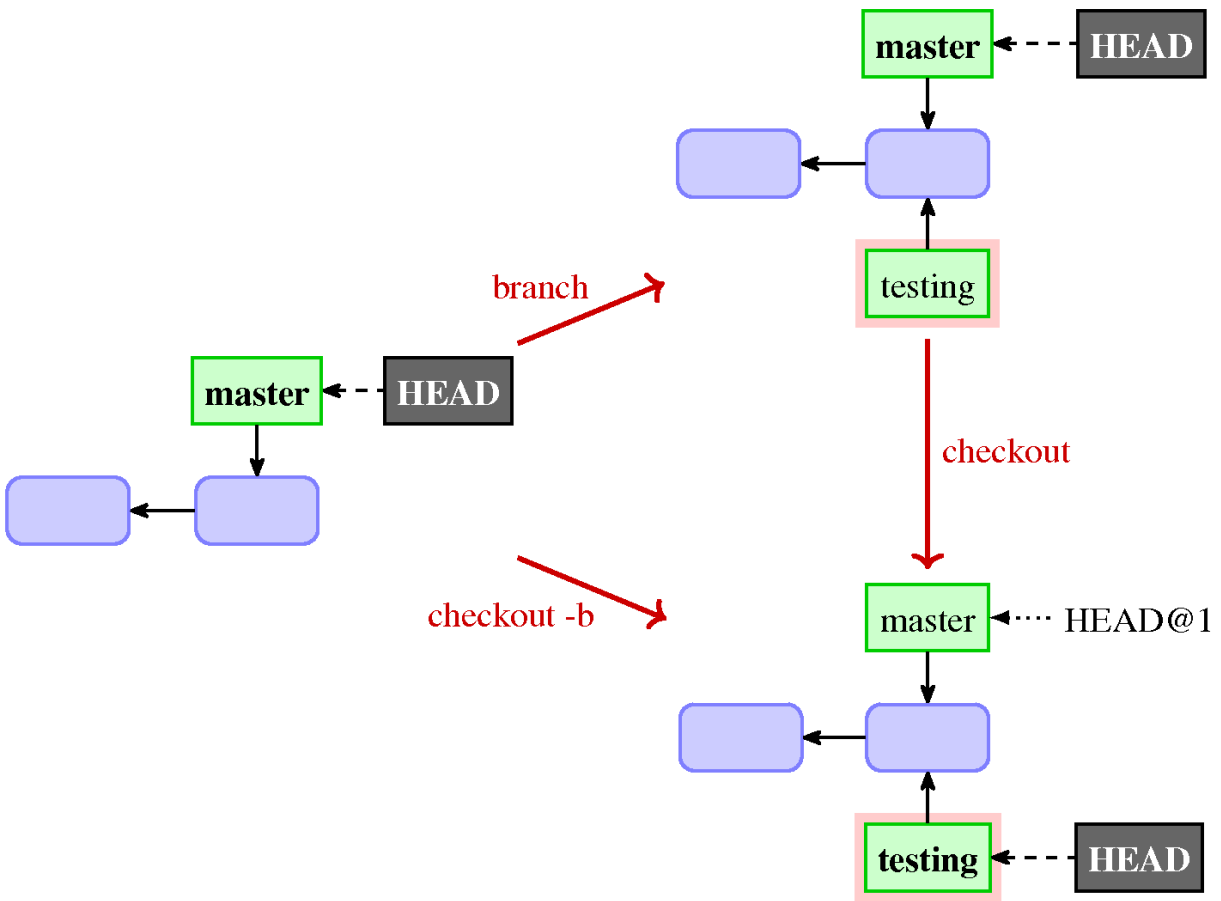
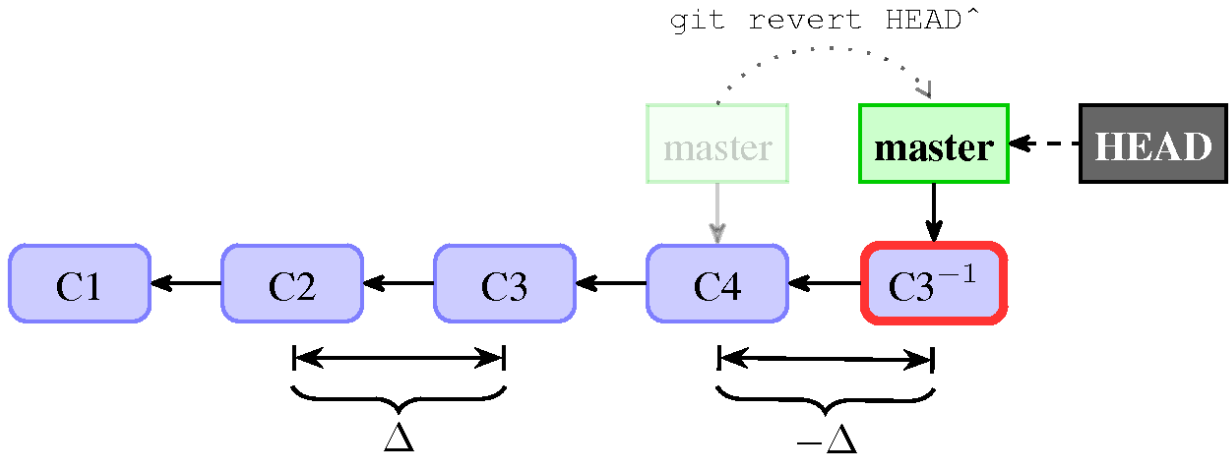
```

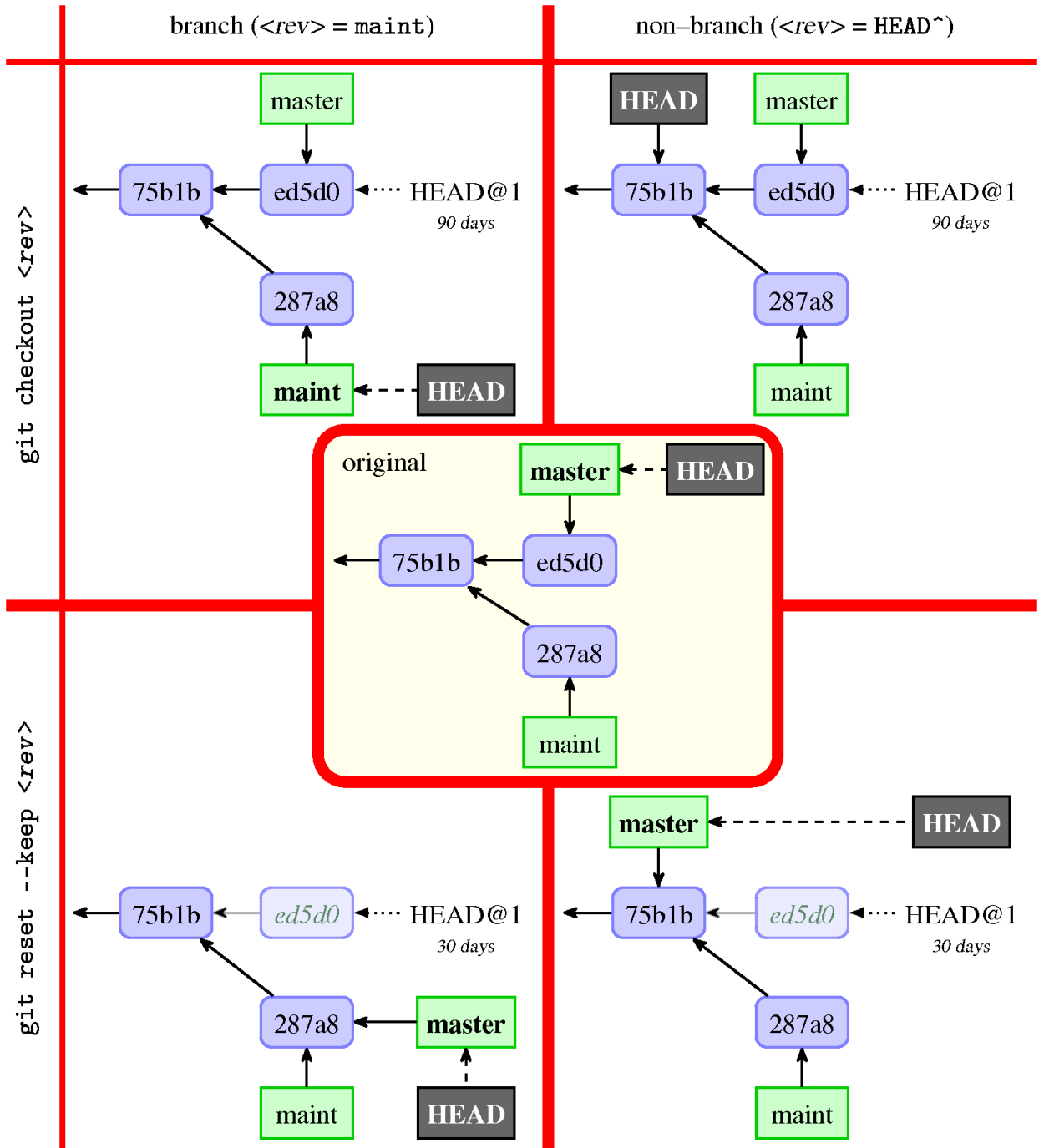

Chapter 3: Developing with Git



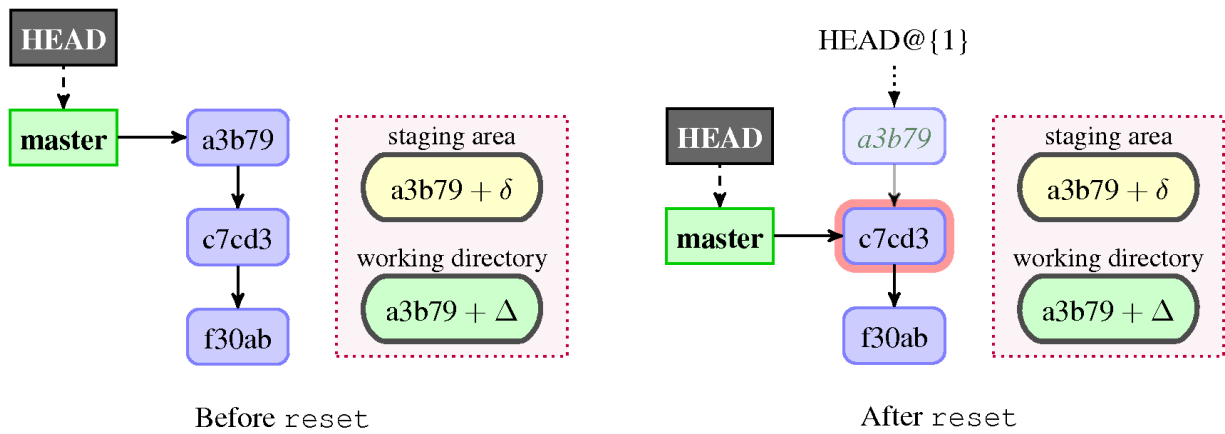
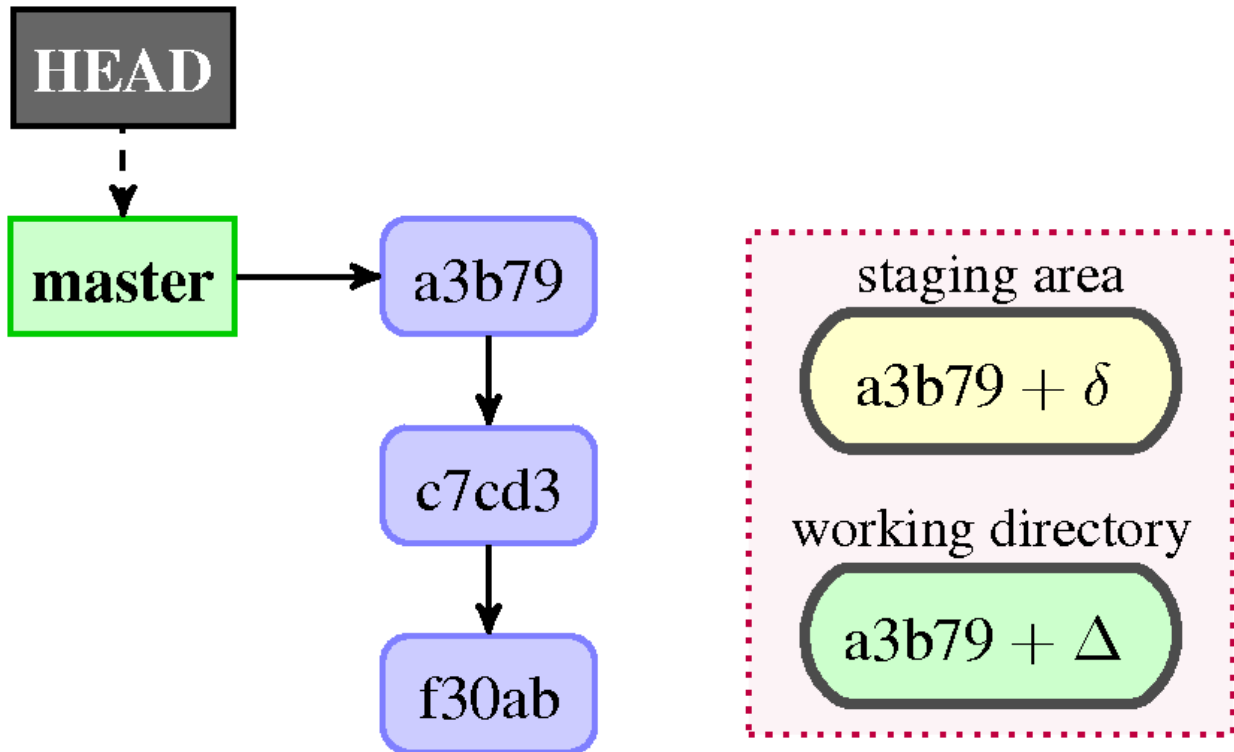


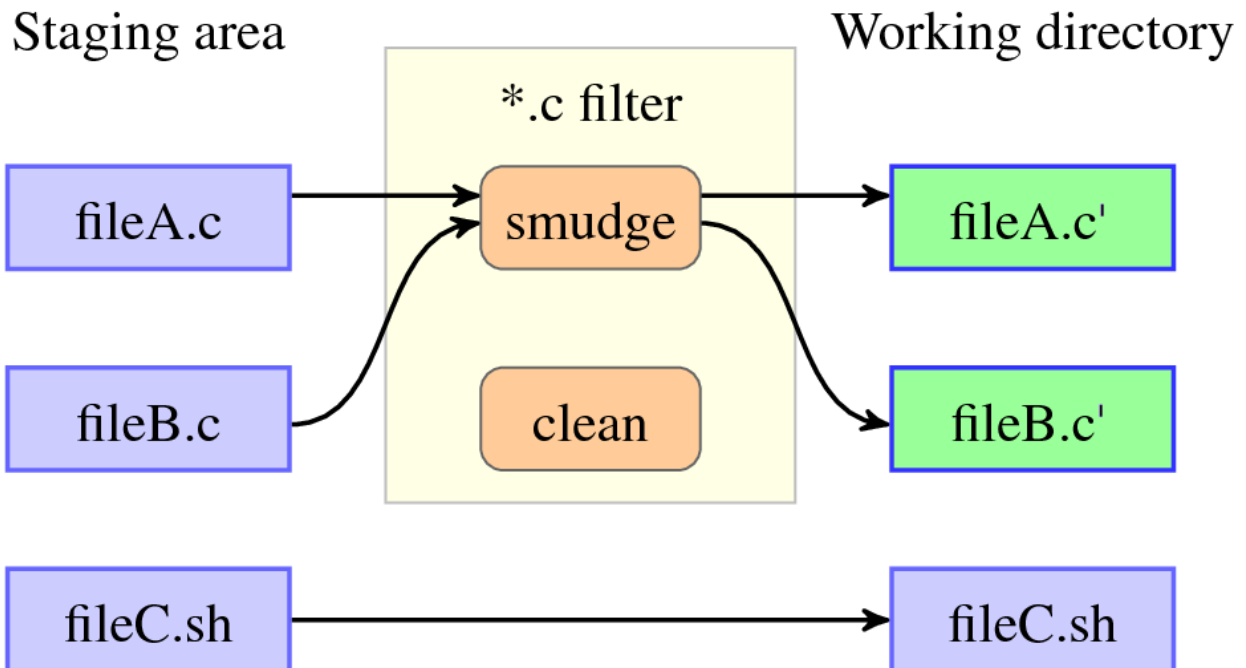
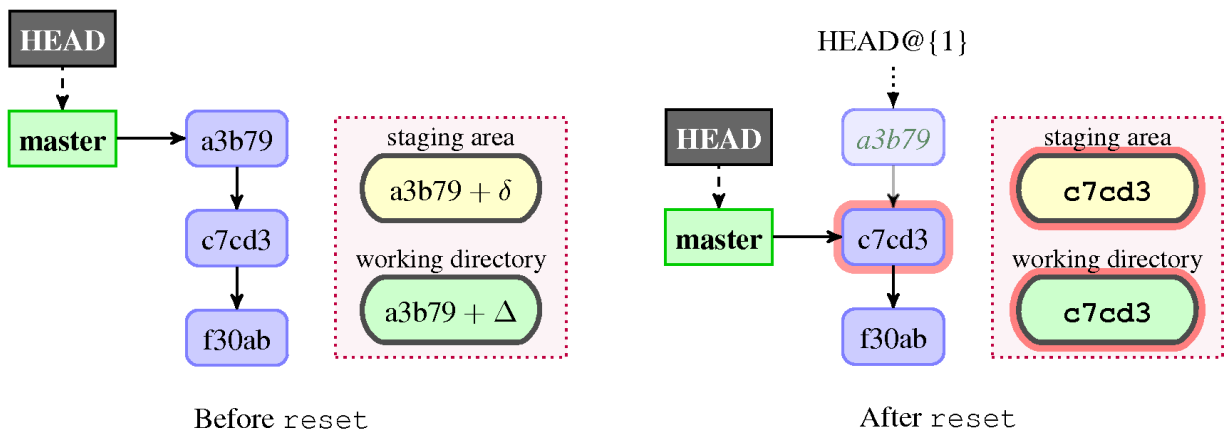
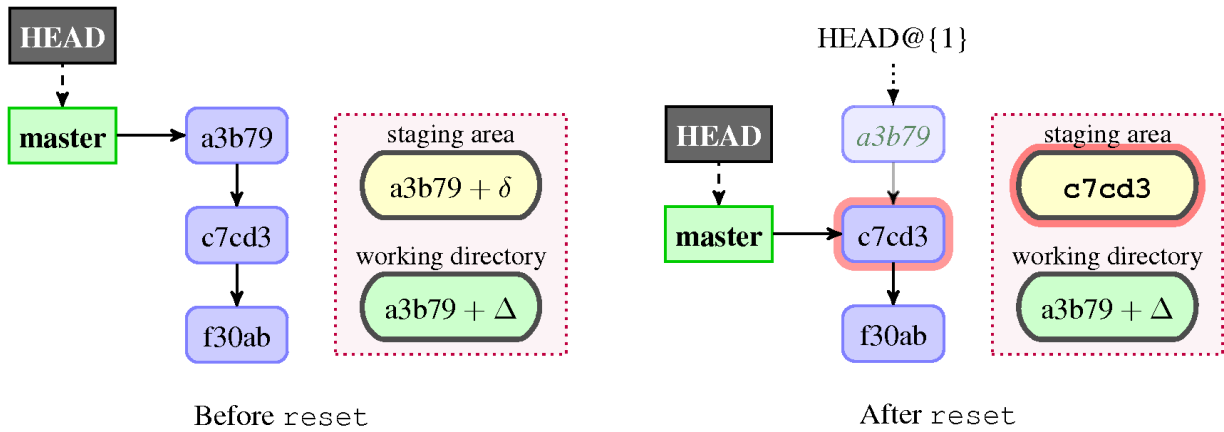






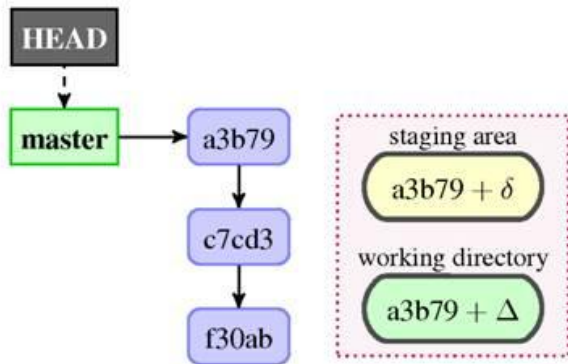
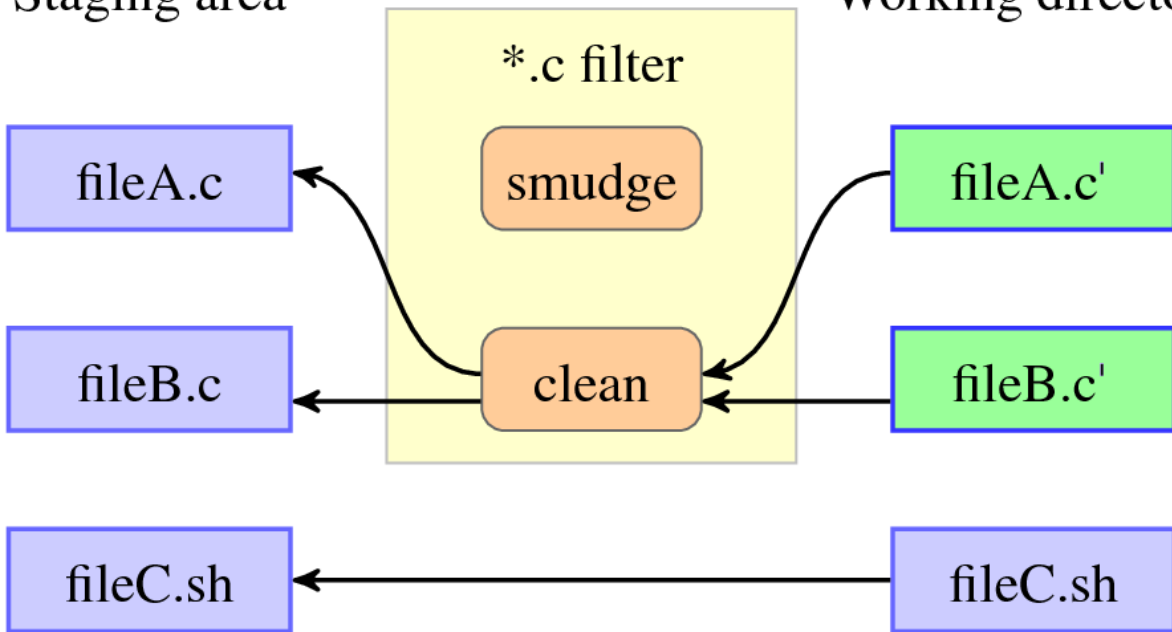
Chapter 4: Managing Your Worktree



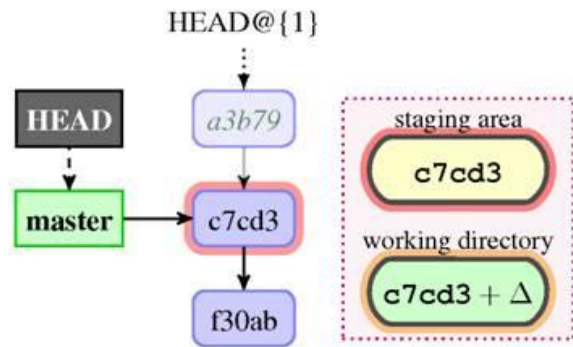


Staging area

Working directory

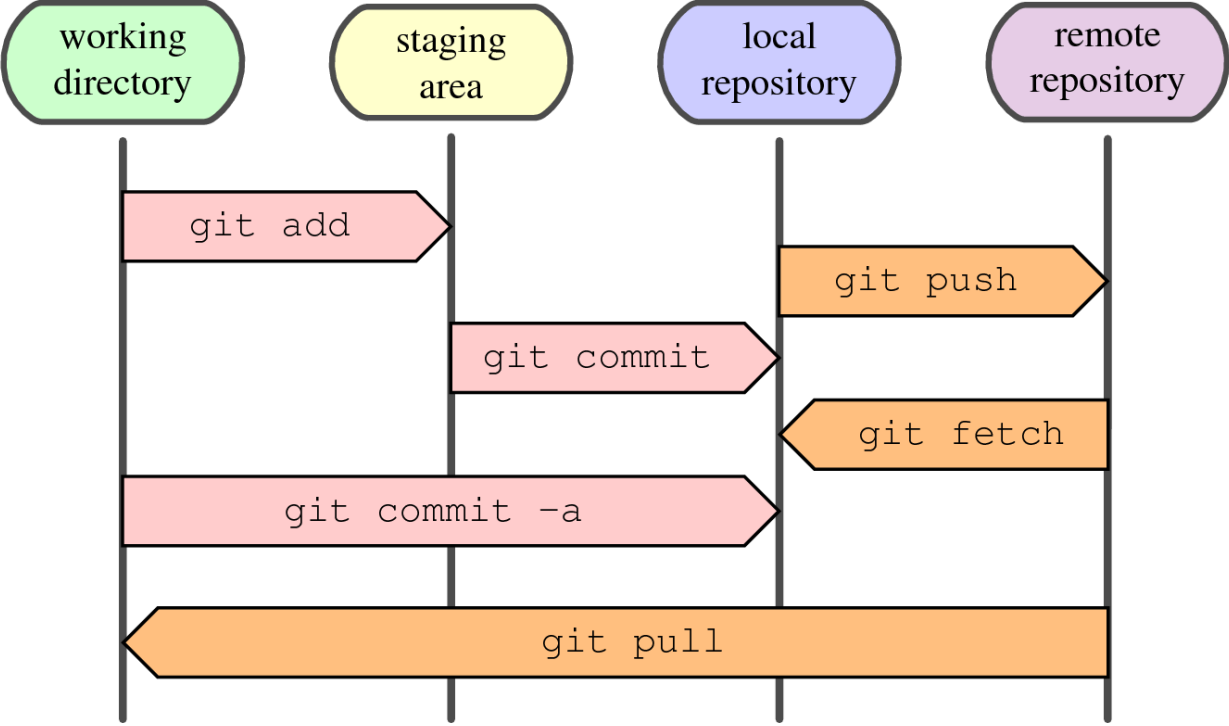


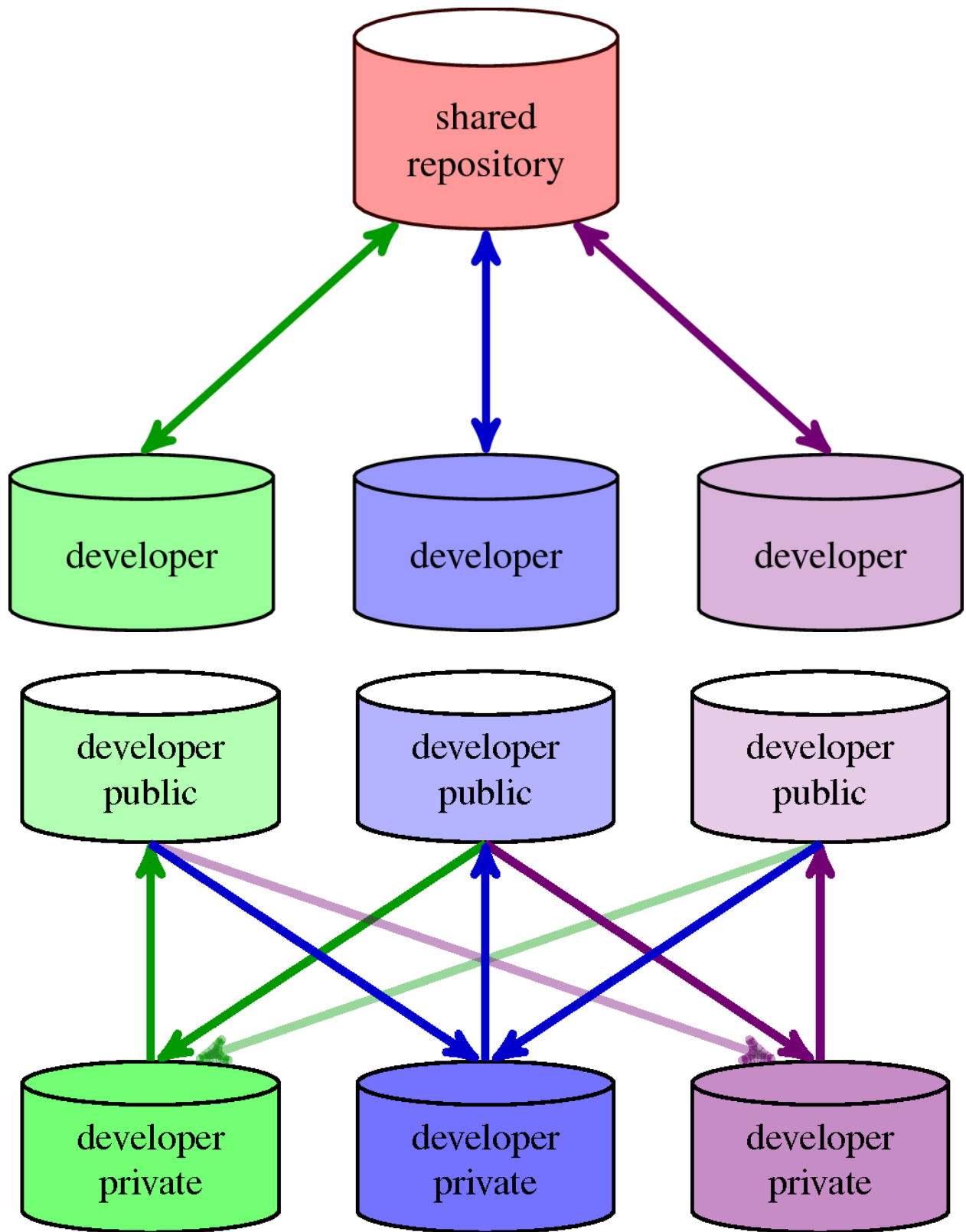
Before reset --keep

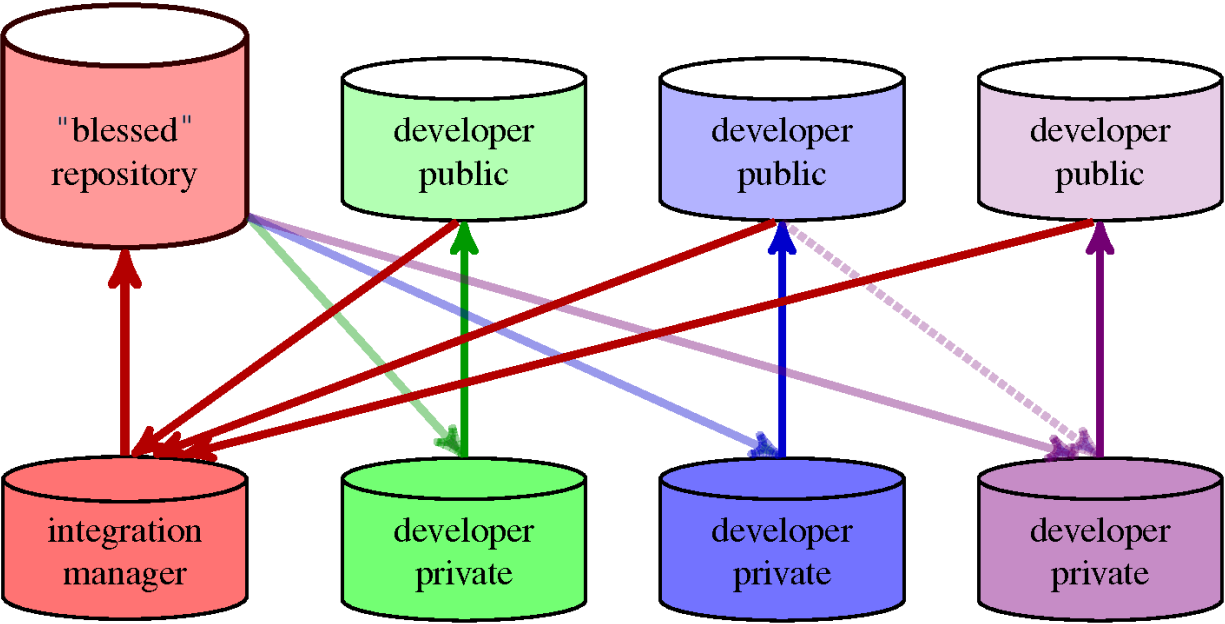


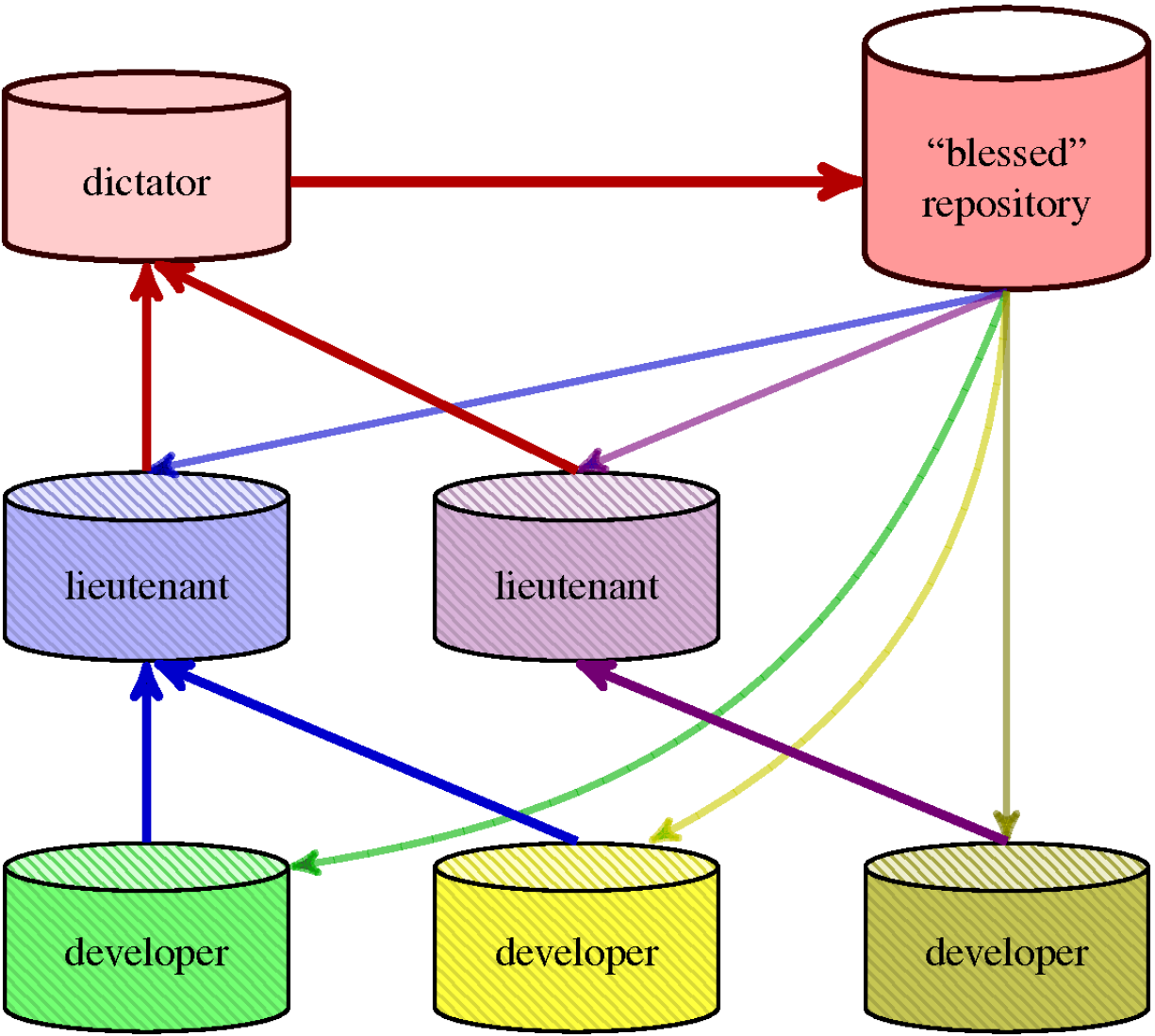
After successful reset --keep

Chapter 5: Collaborative Development with Git

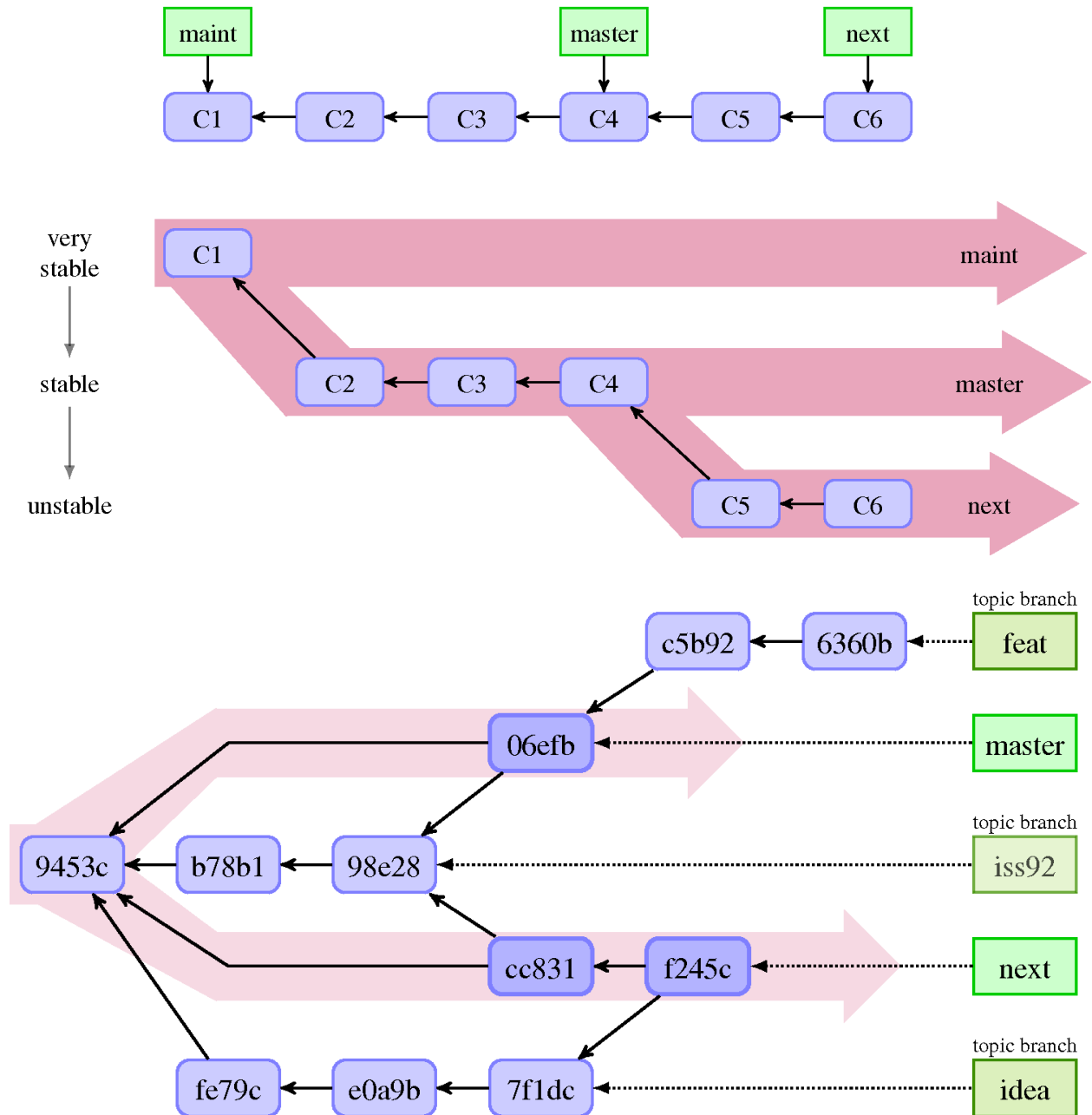


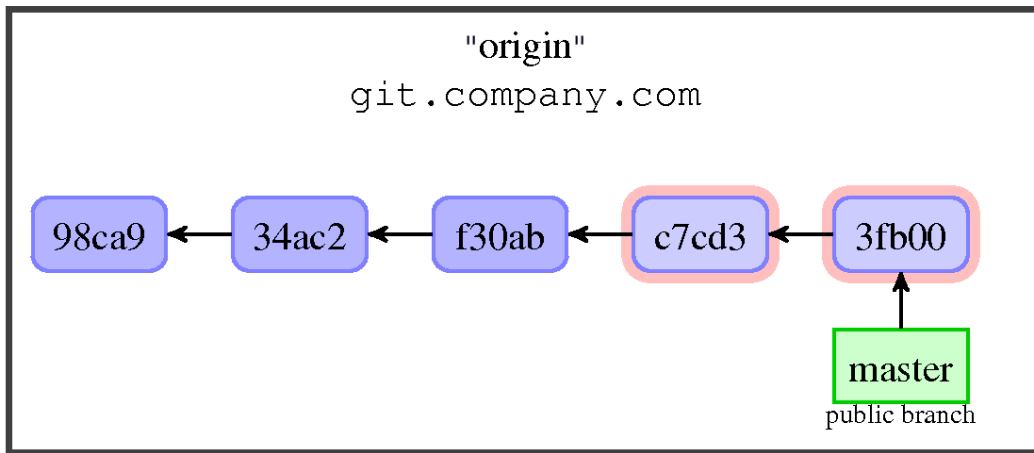




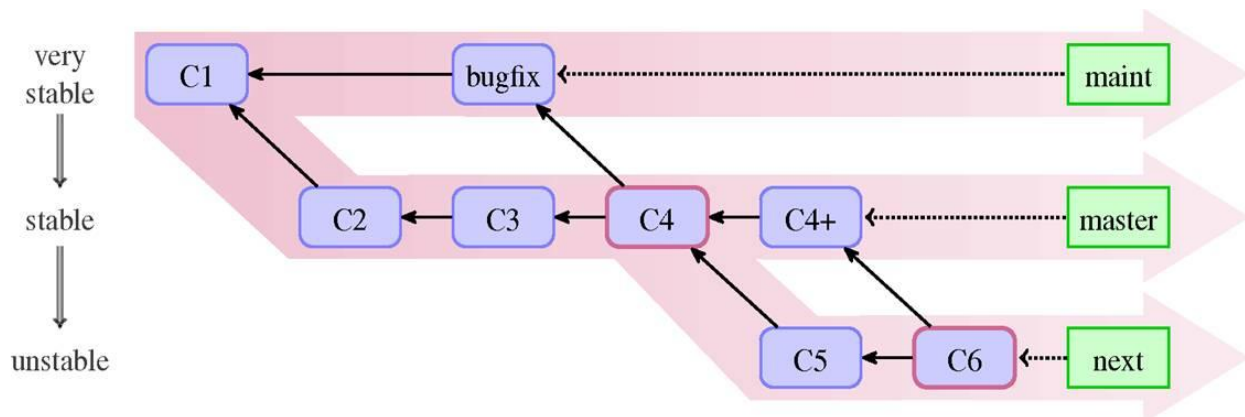
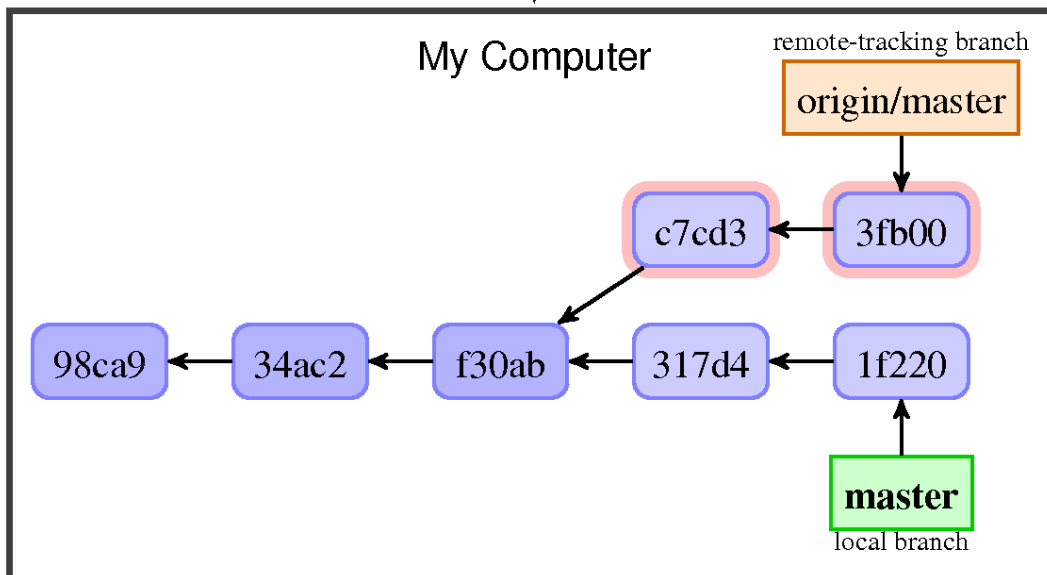


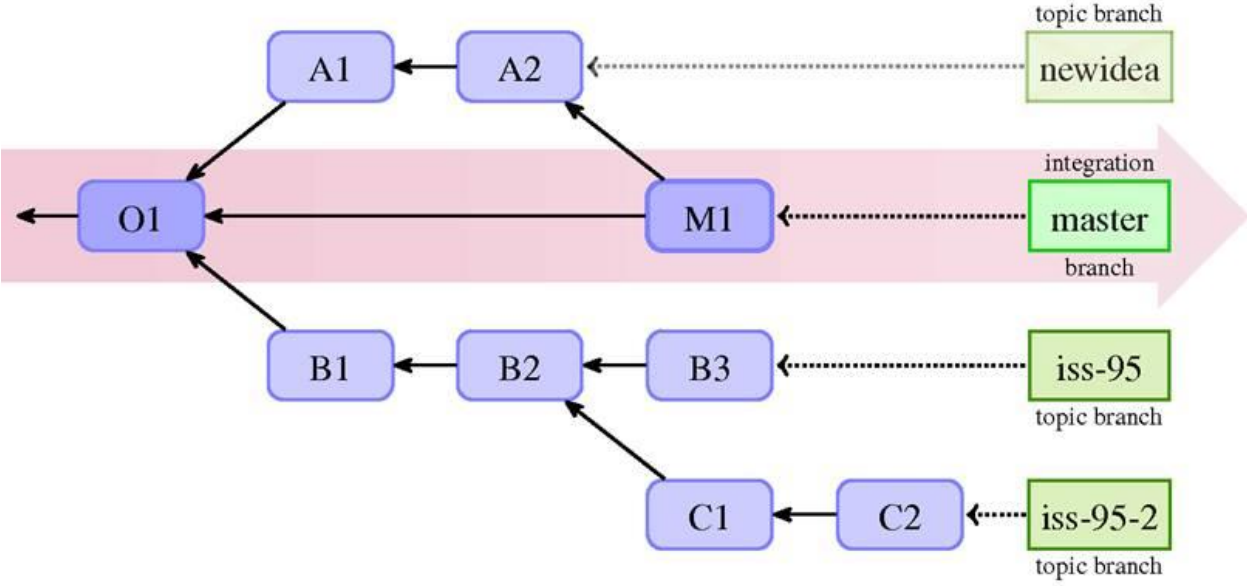
Chapter 6: Advanced Branching Techniques



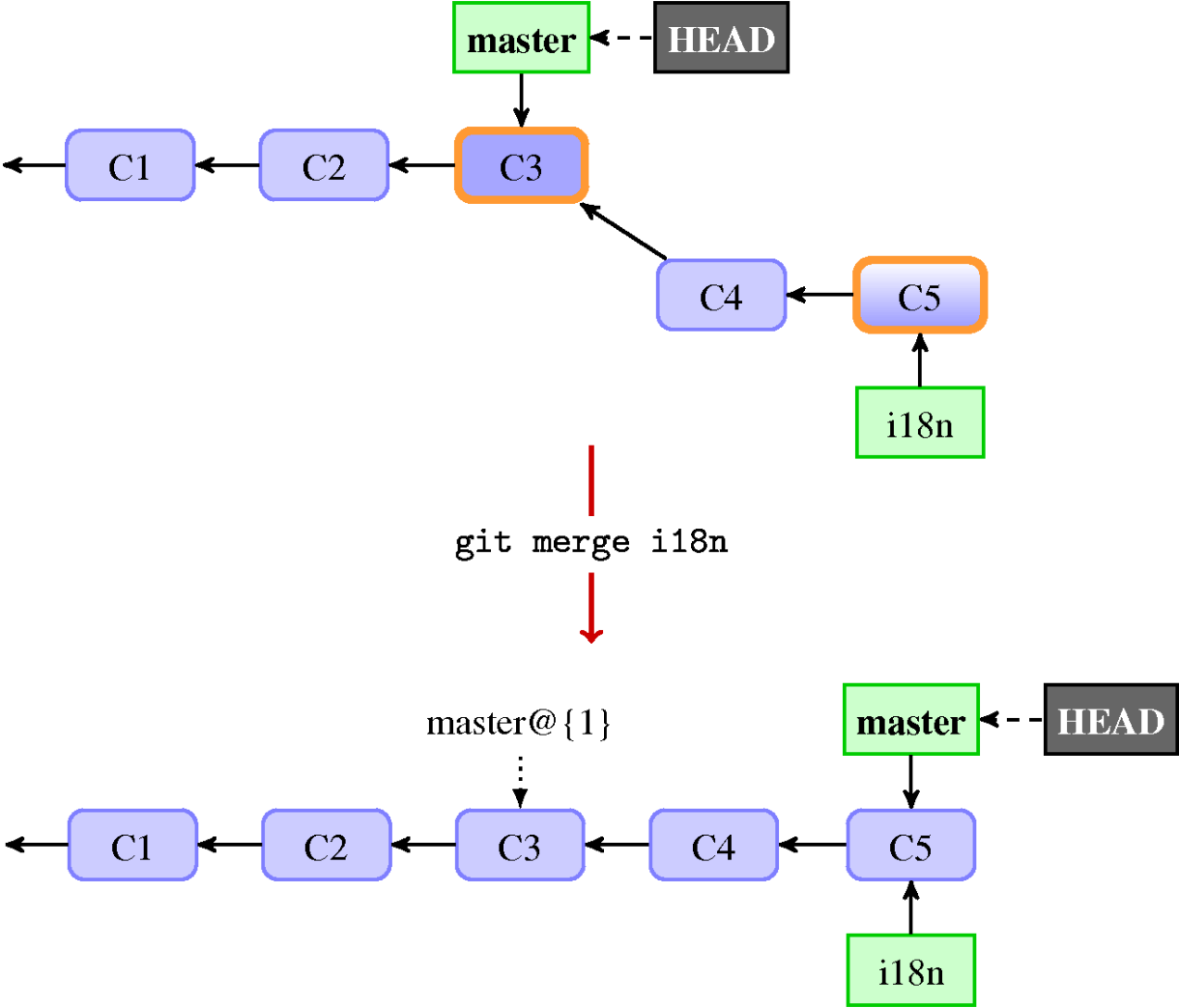


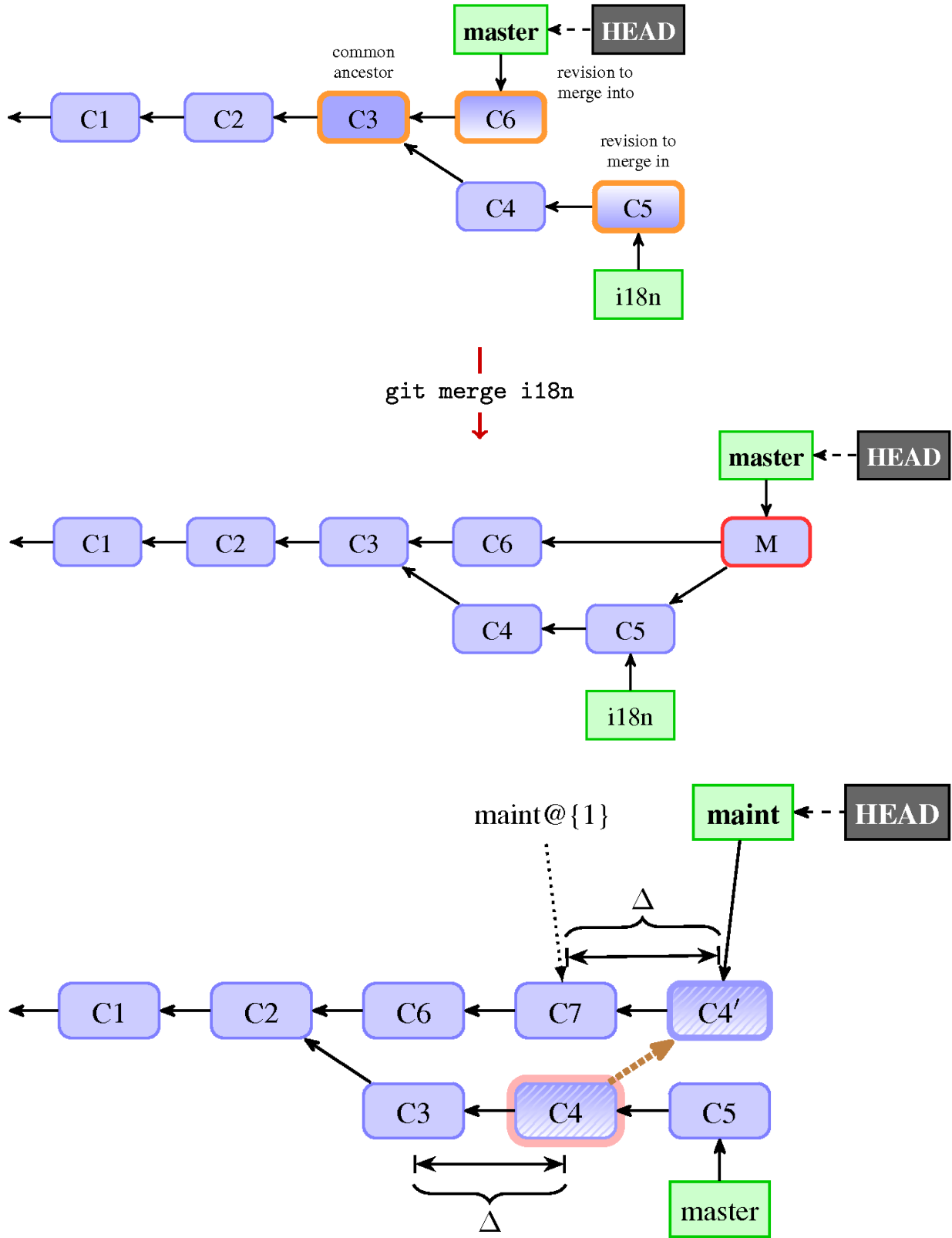
`git fetch origin +refs/heads/*:refs/remotes/origin/*`

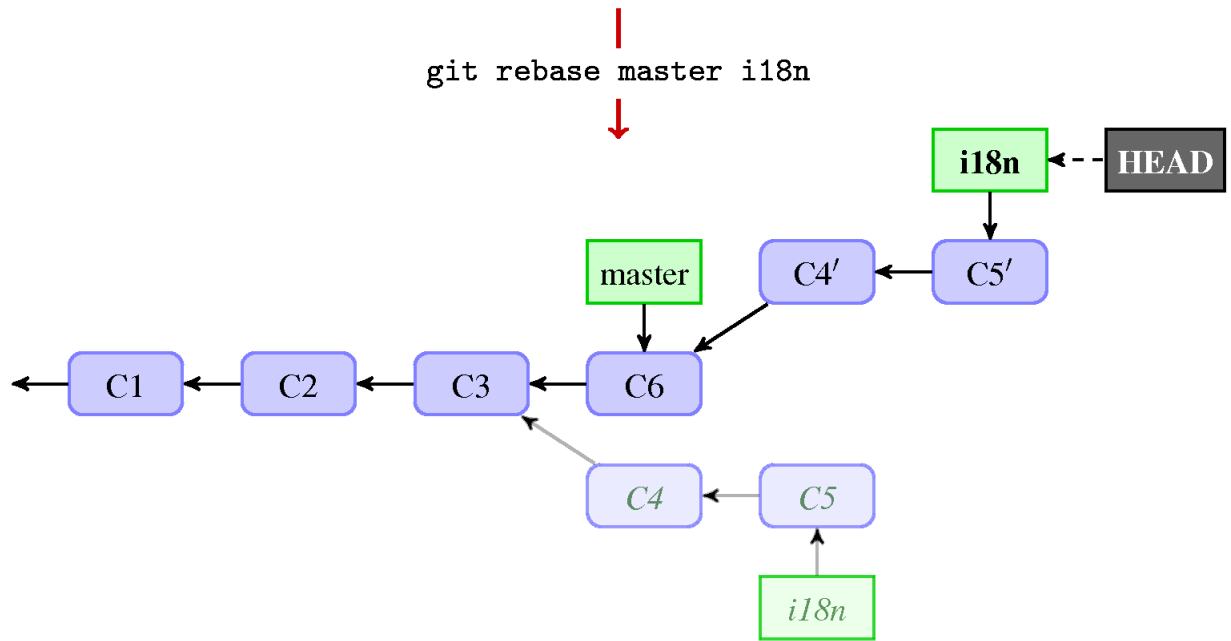
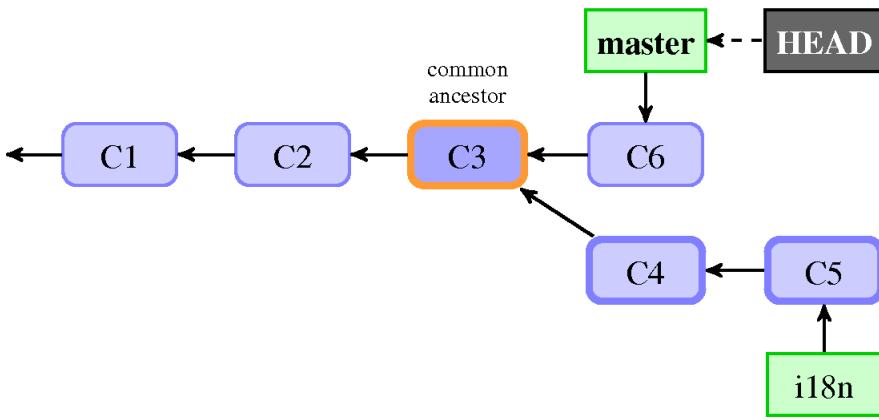
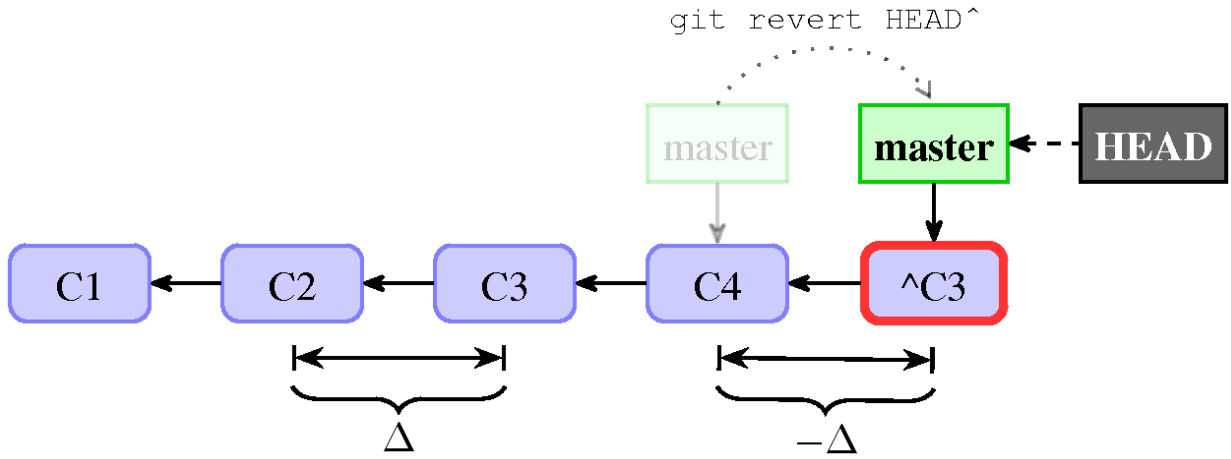


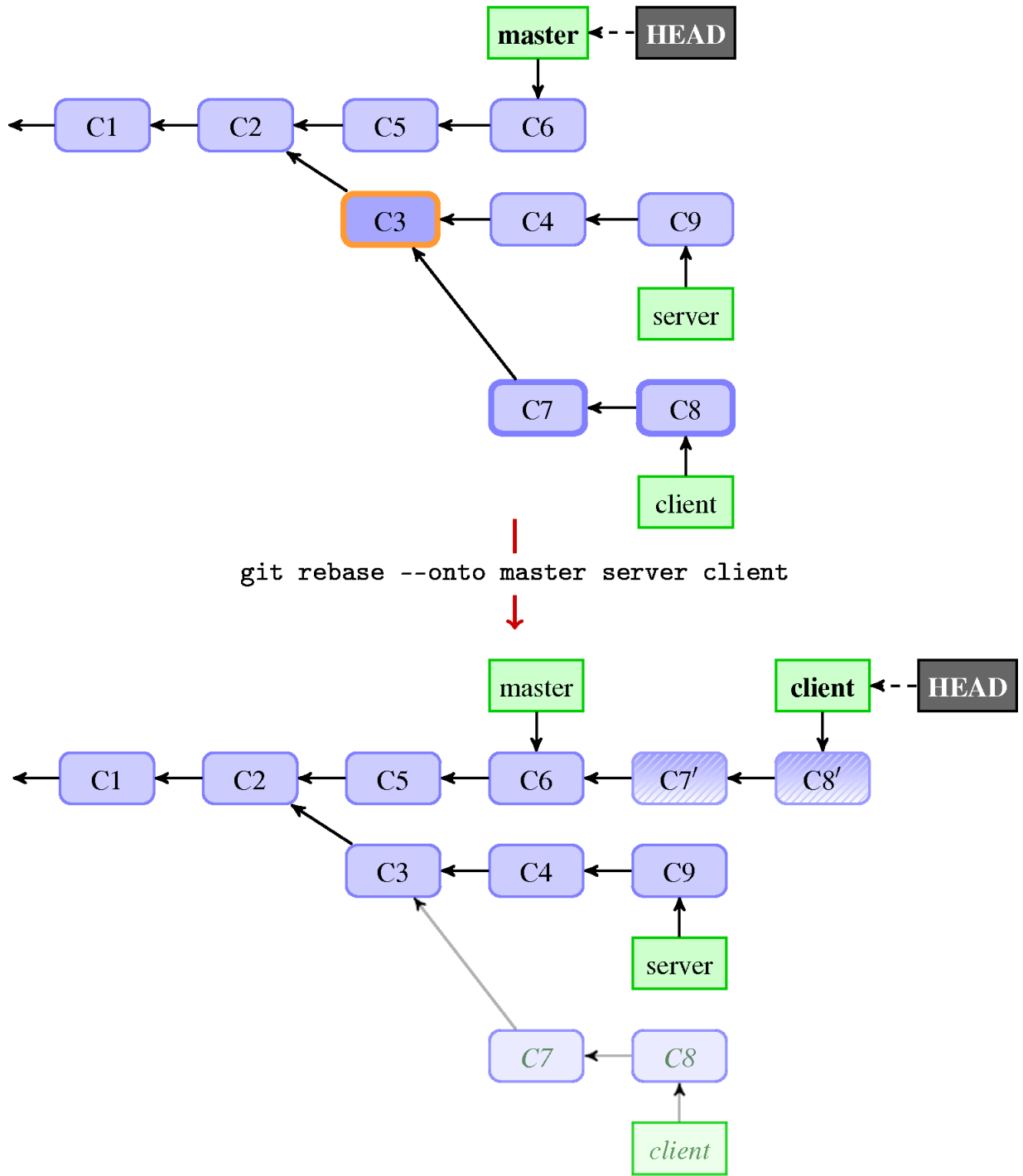


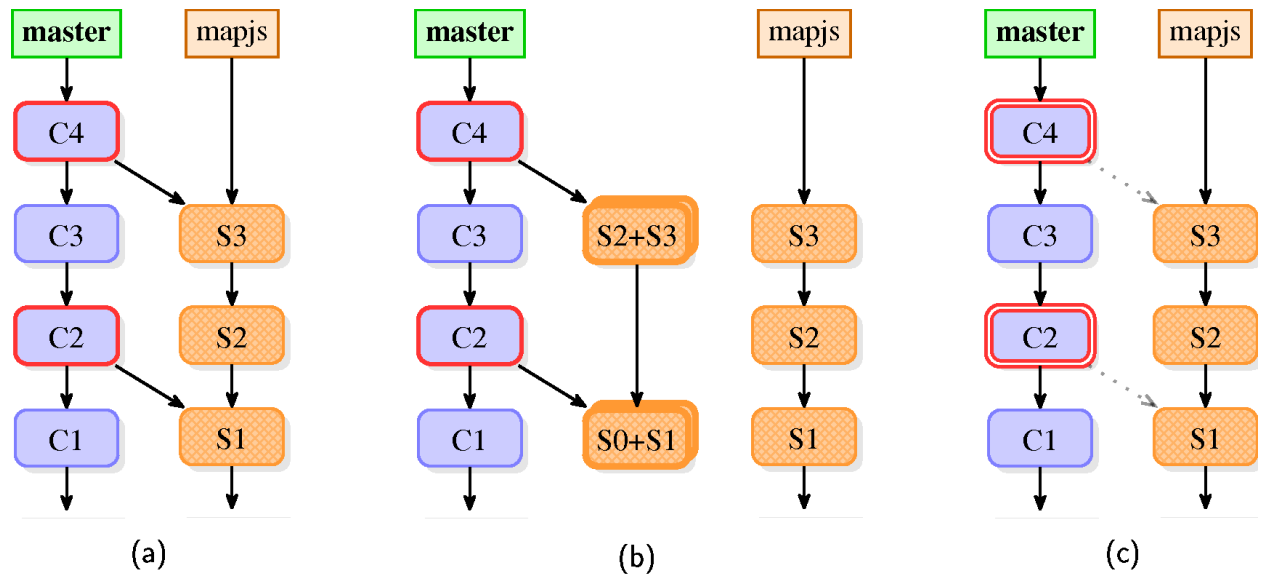
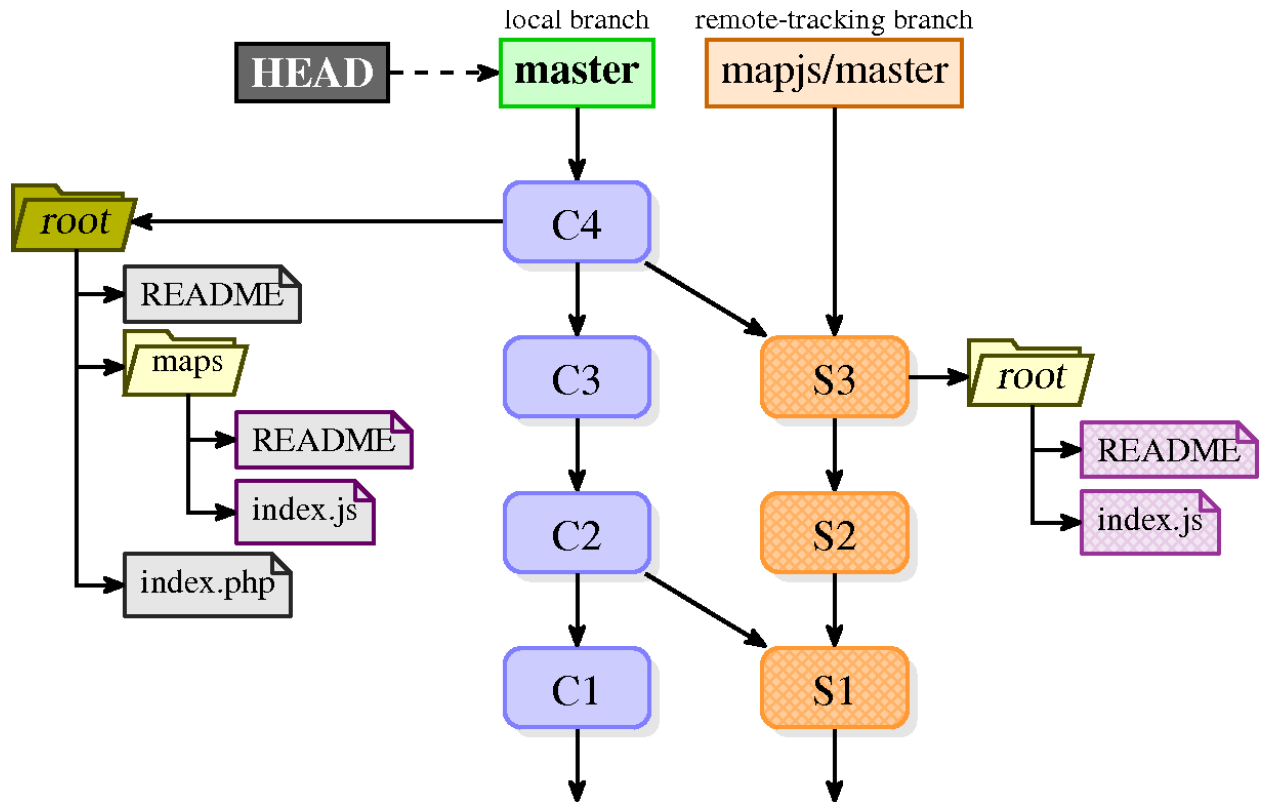
Chapter 7: Merging Changes Together



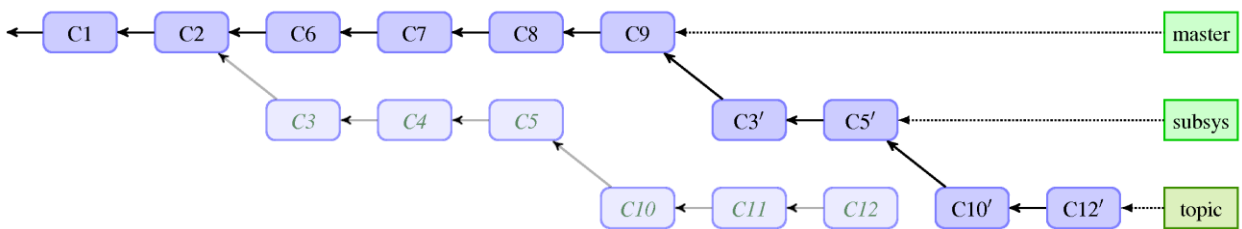
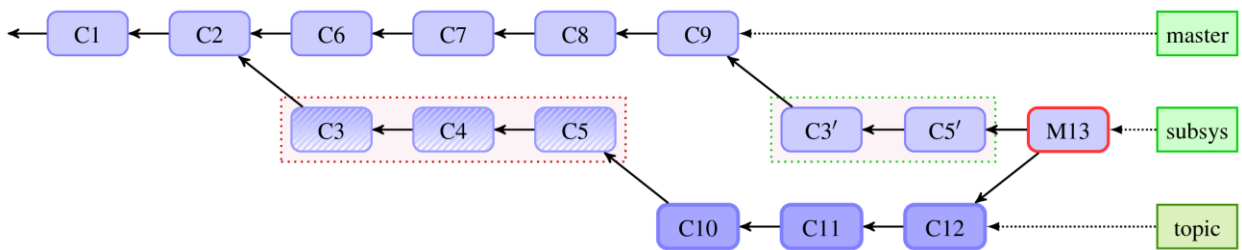
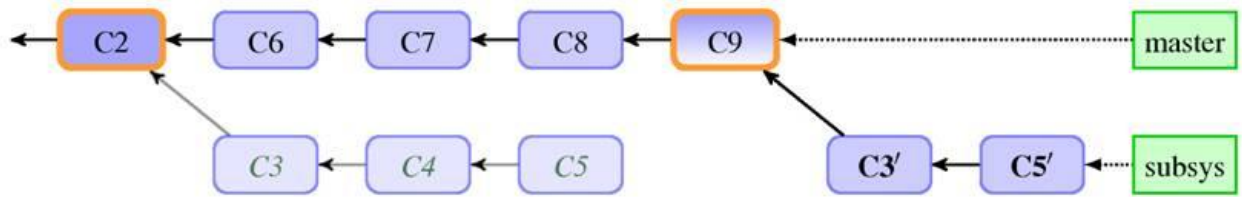
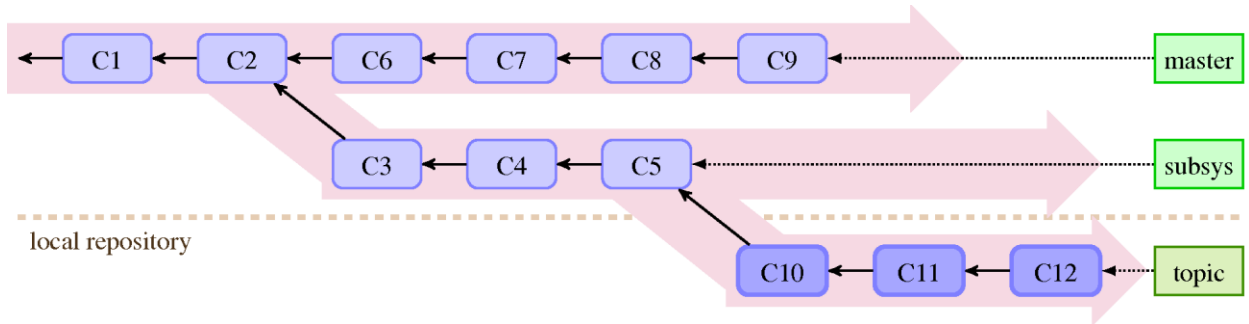


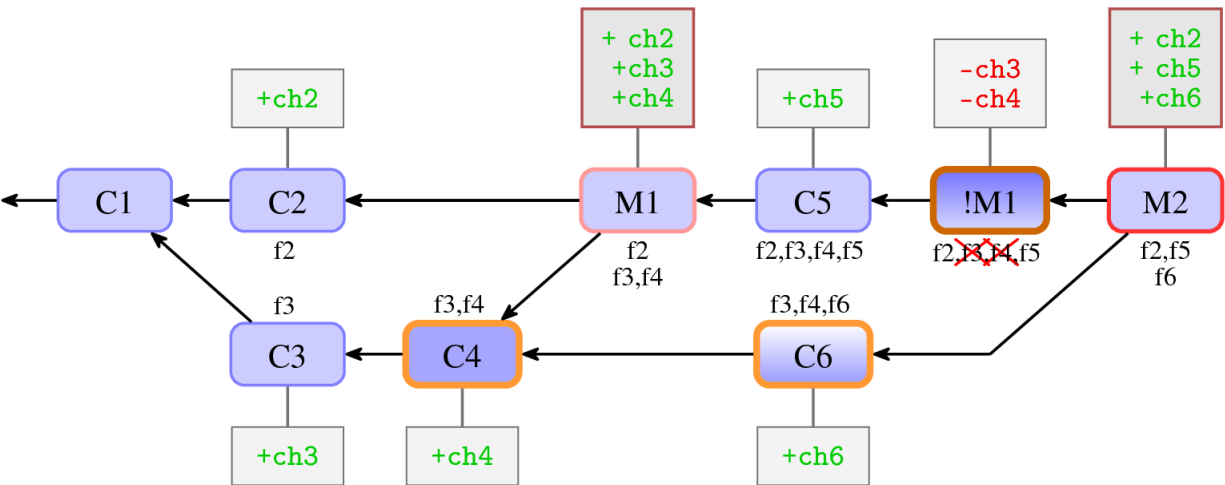
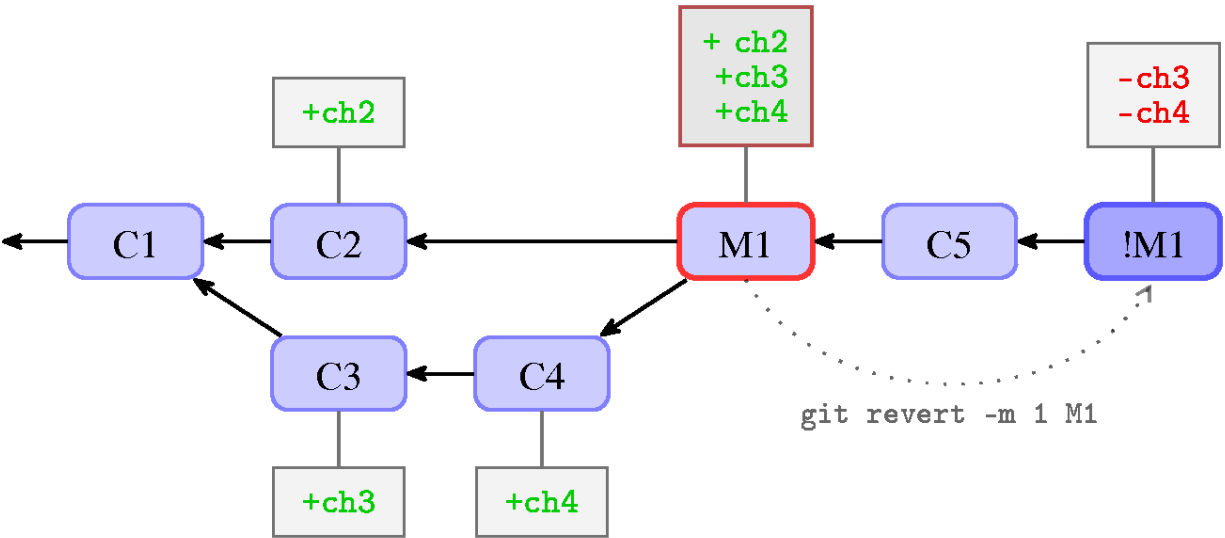
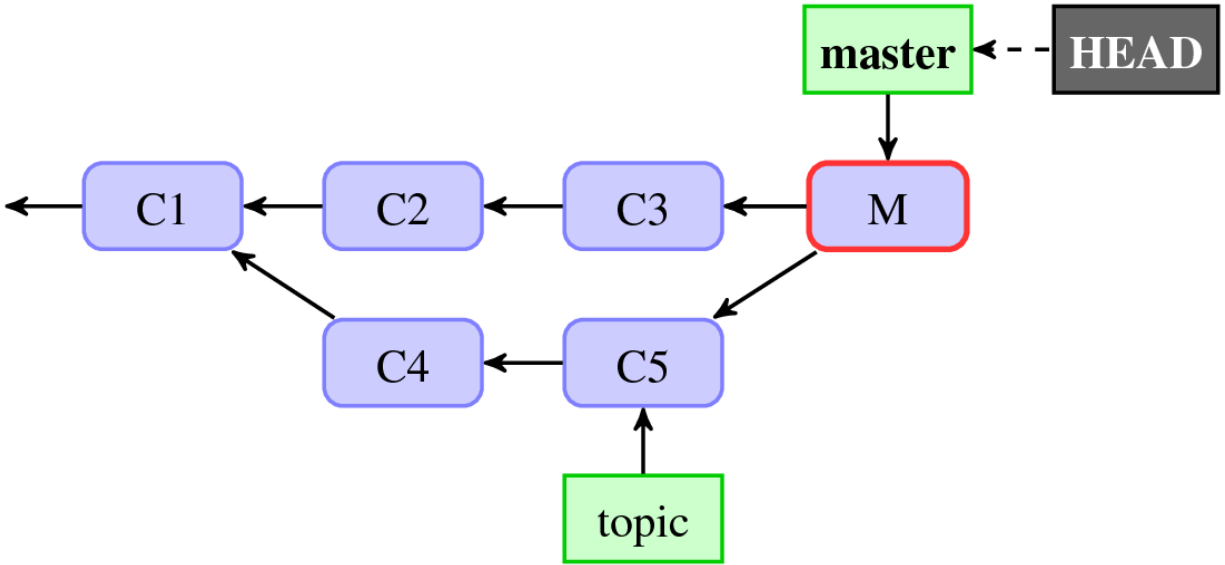


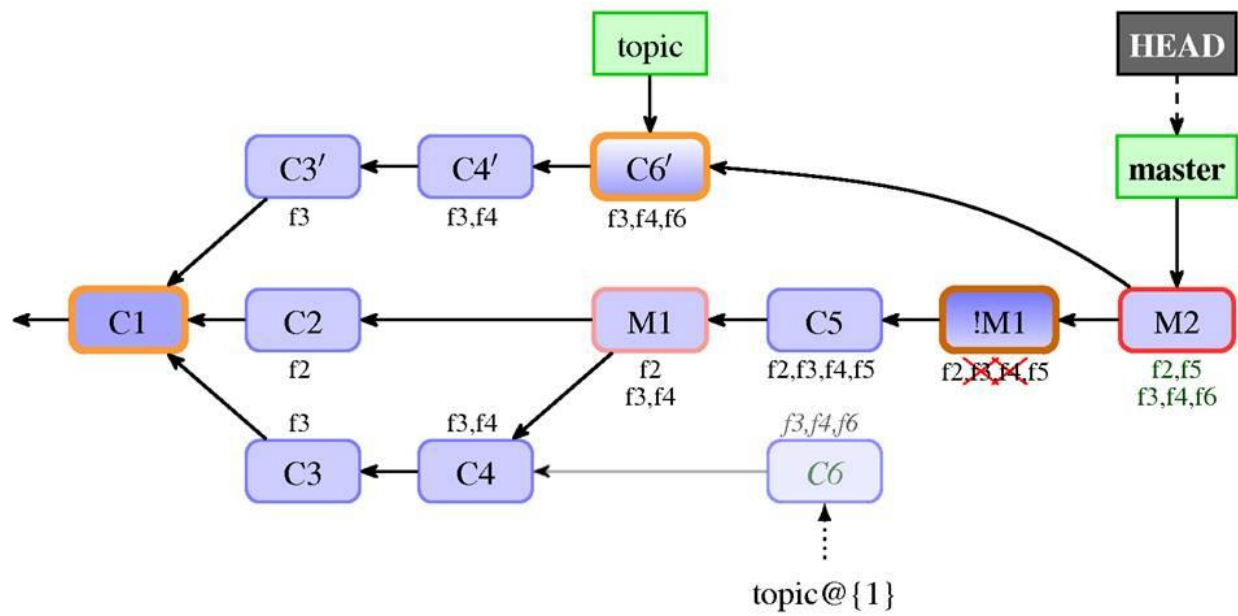
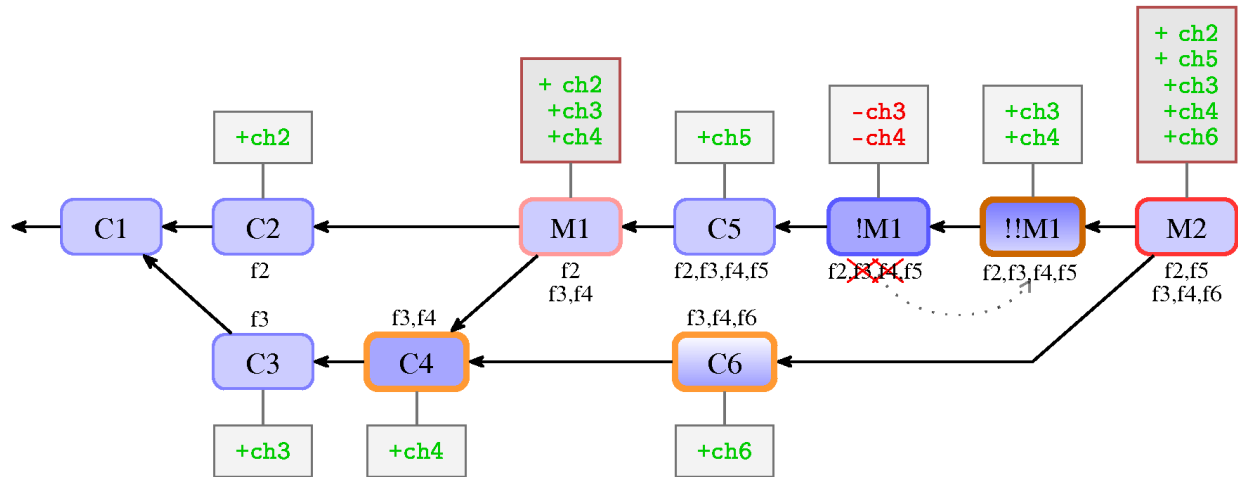


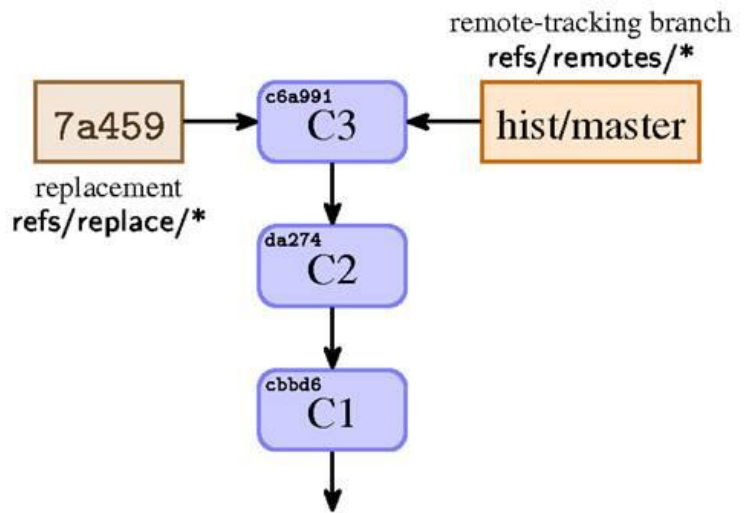
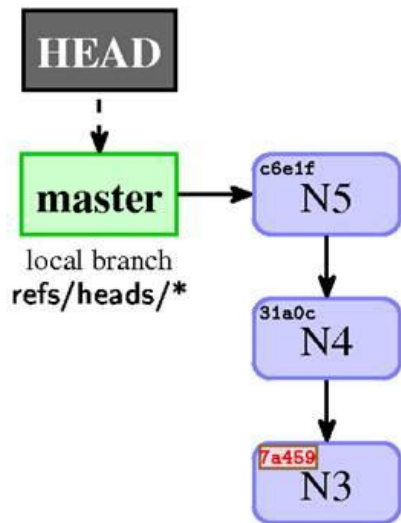
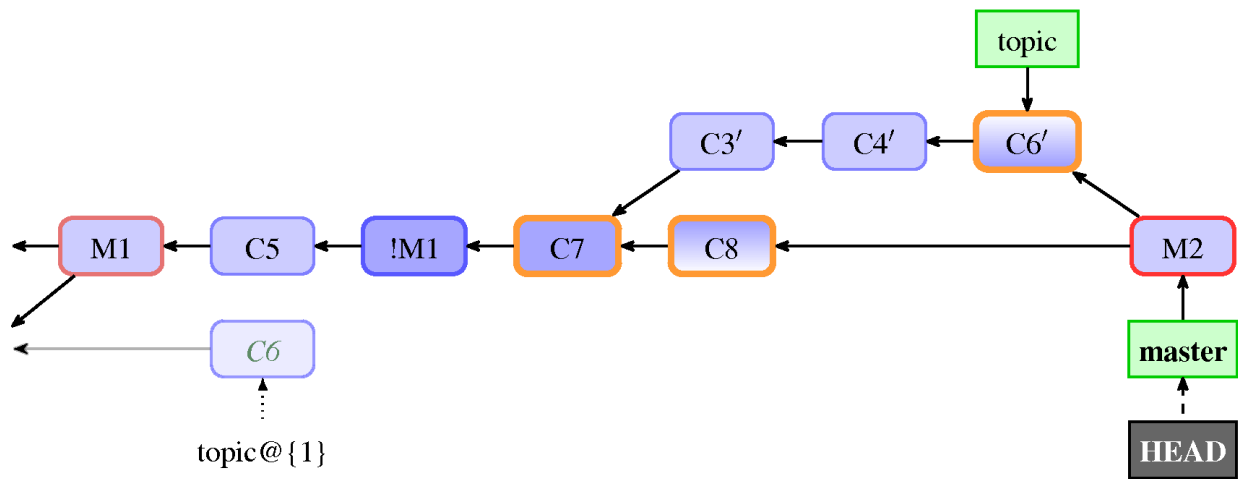


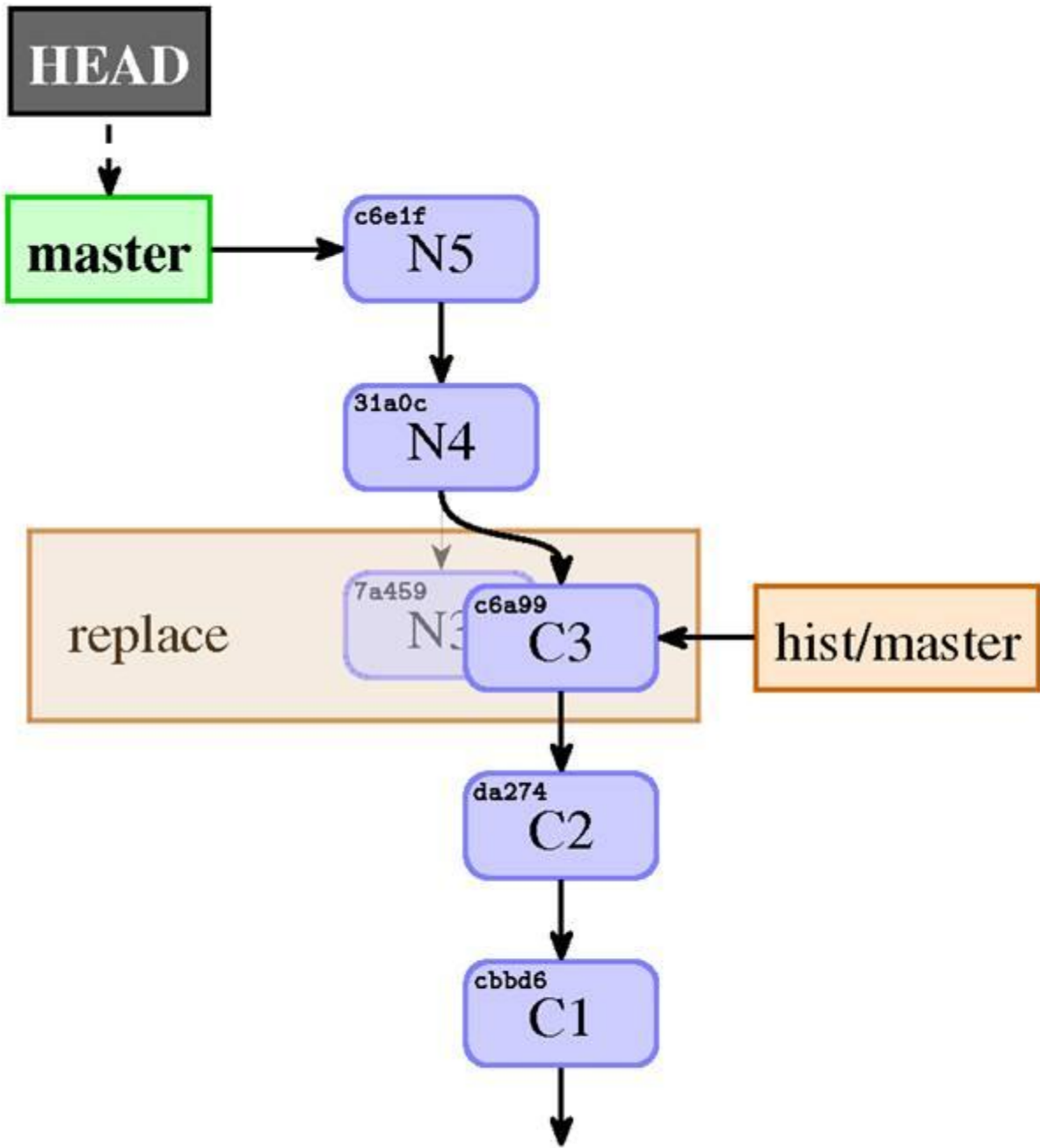
Chapter 8, Keeping History Clean











Chapter 9: Managing Subprojects – Building a Living Framework

