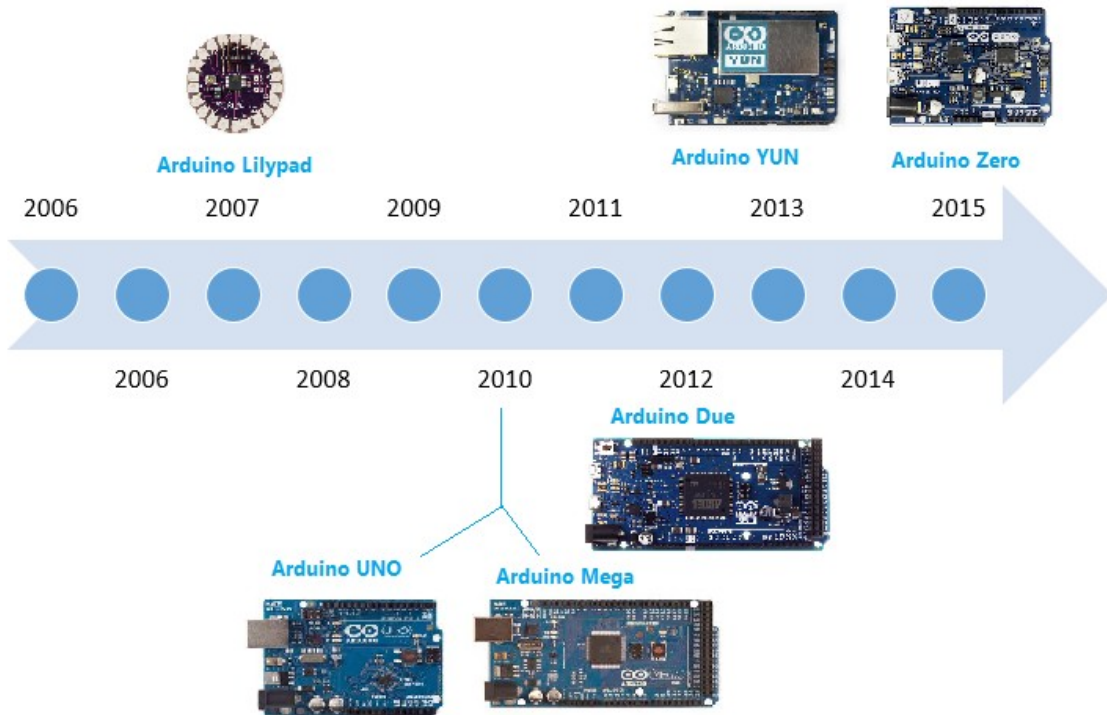
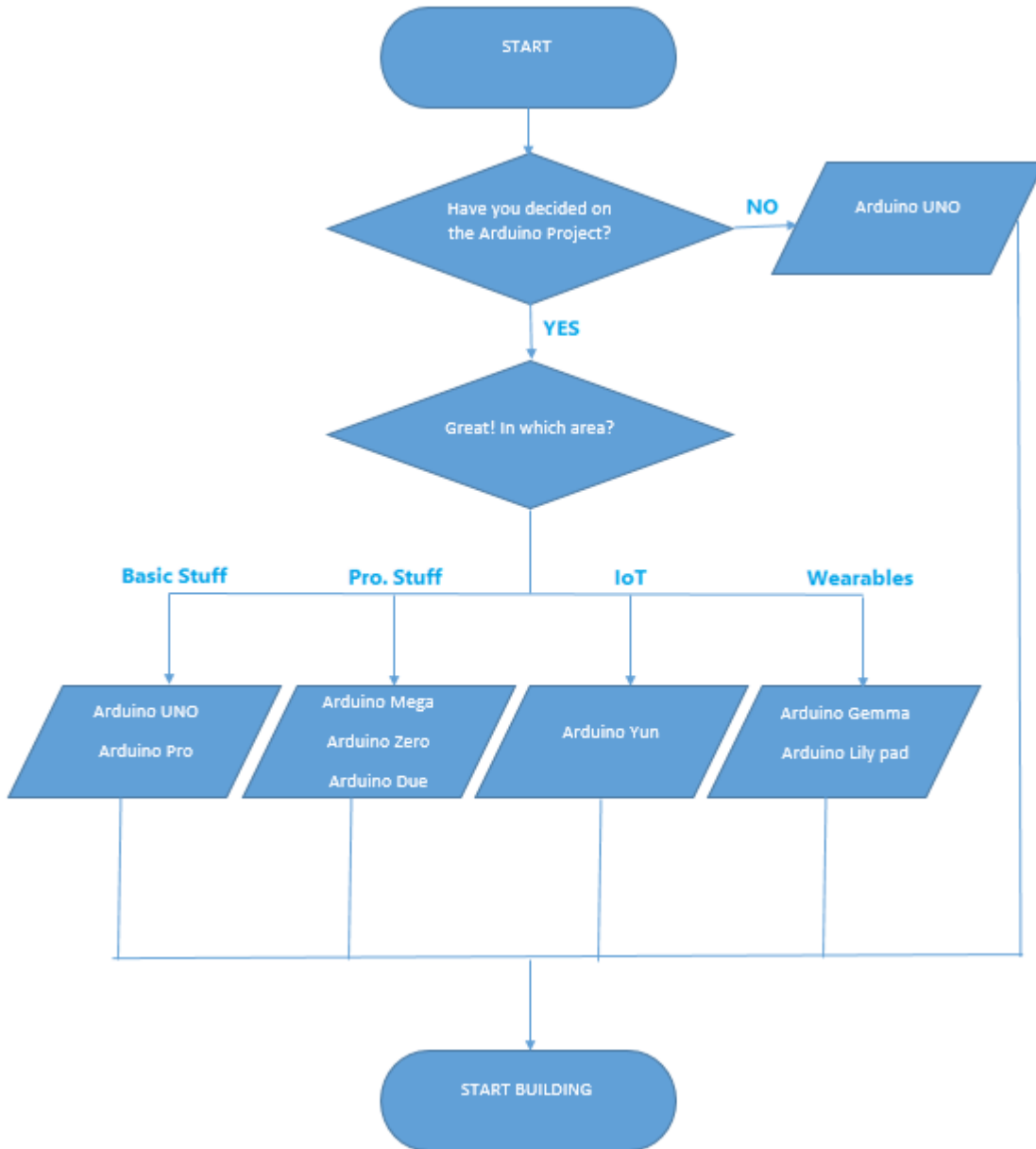
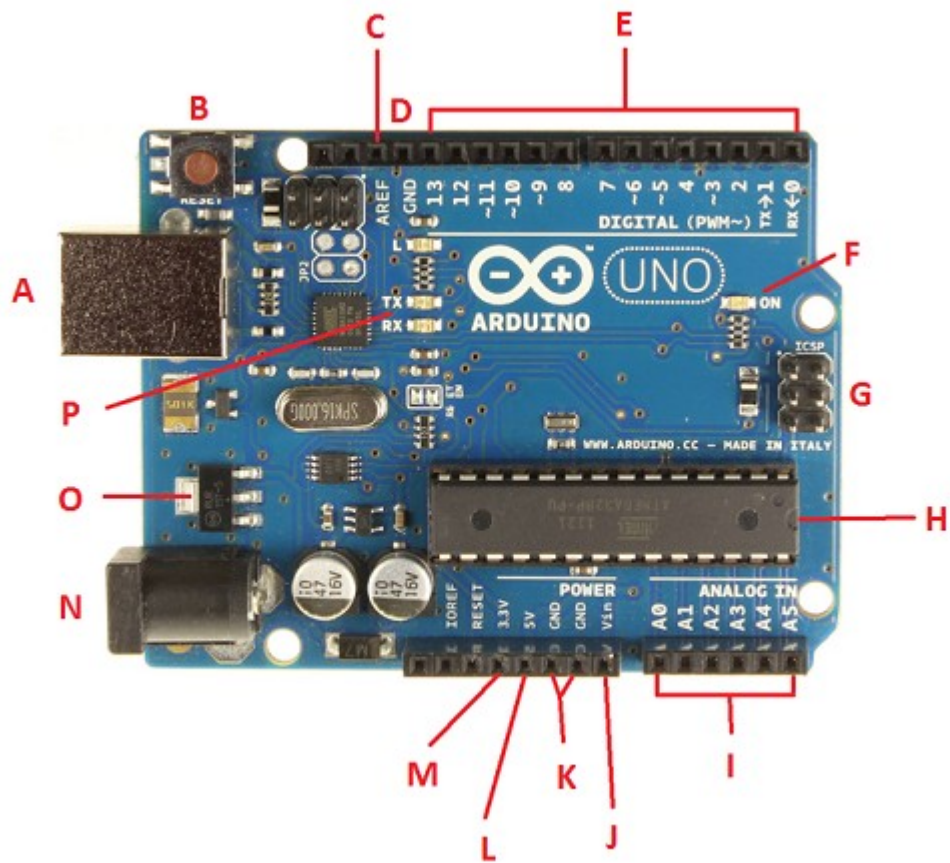
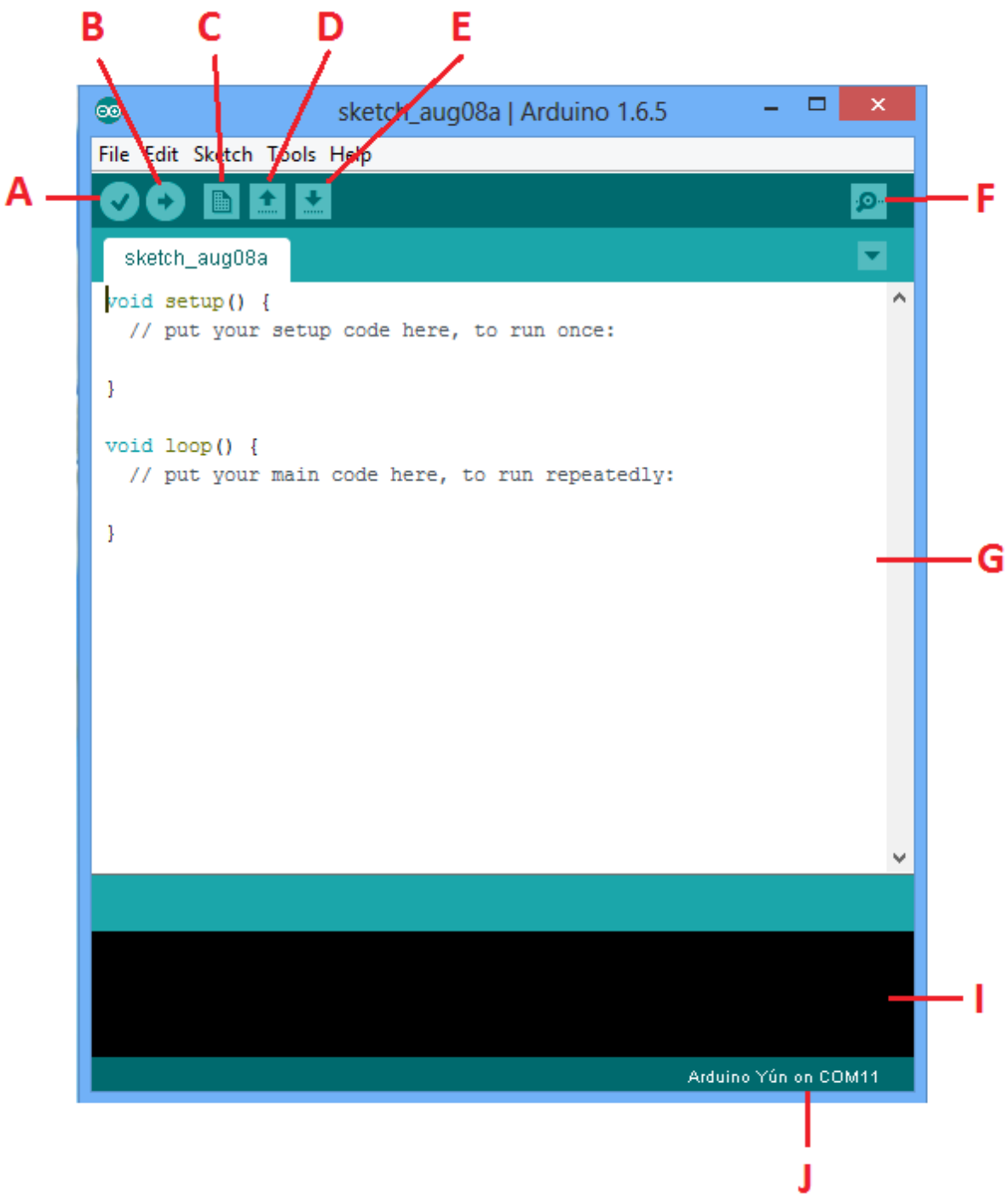


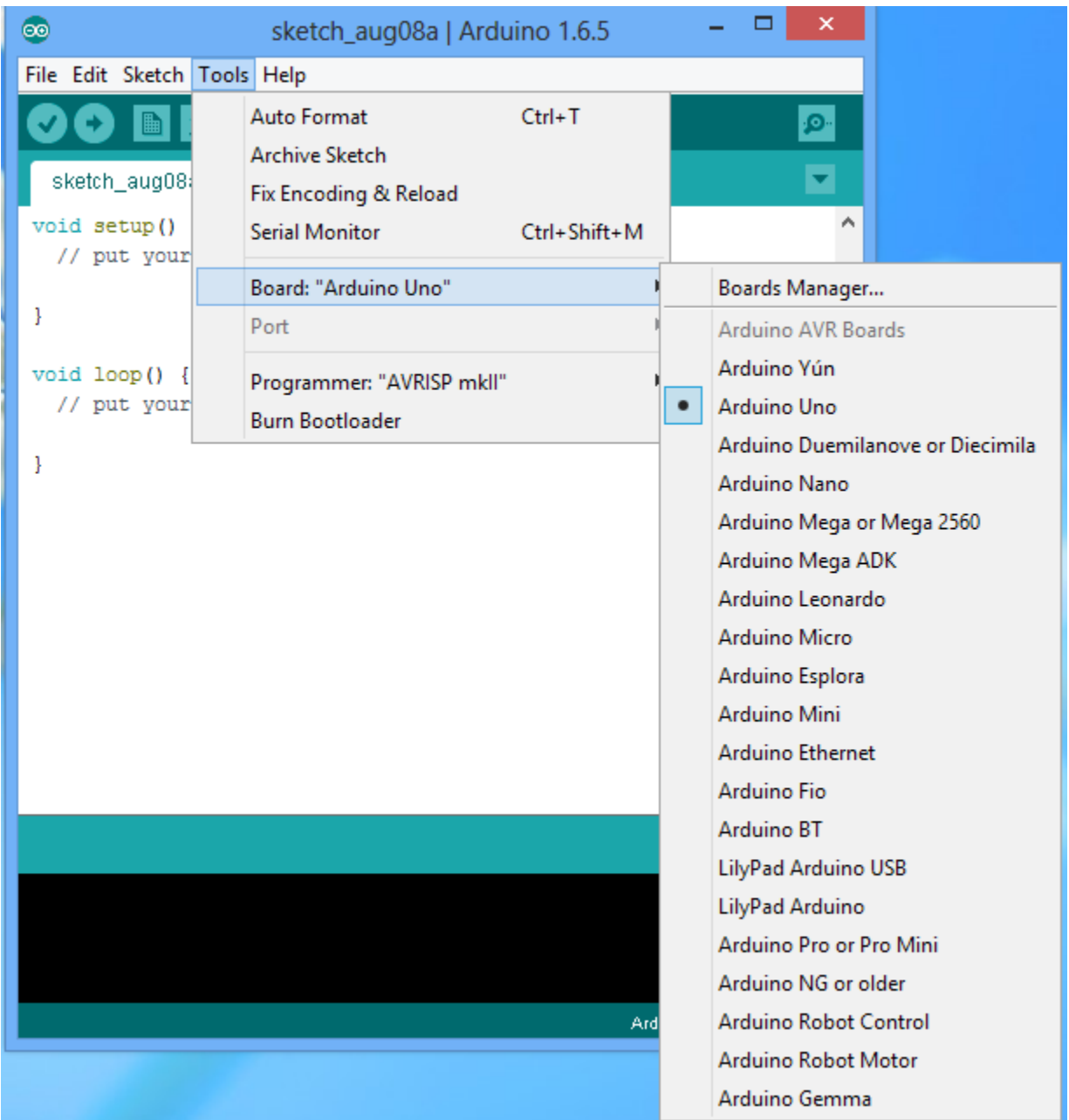
# Chapter 1

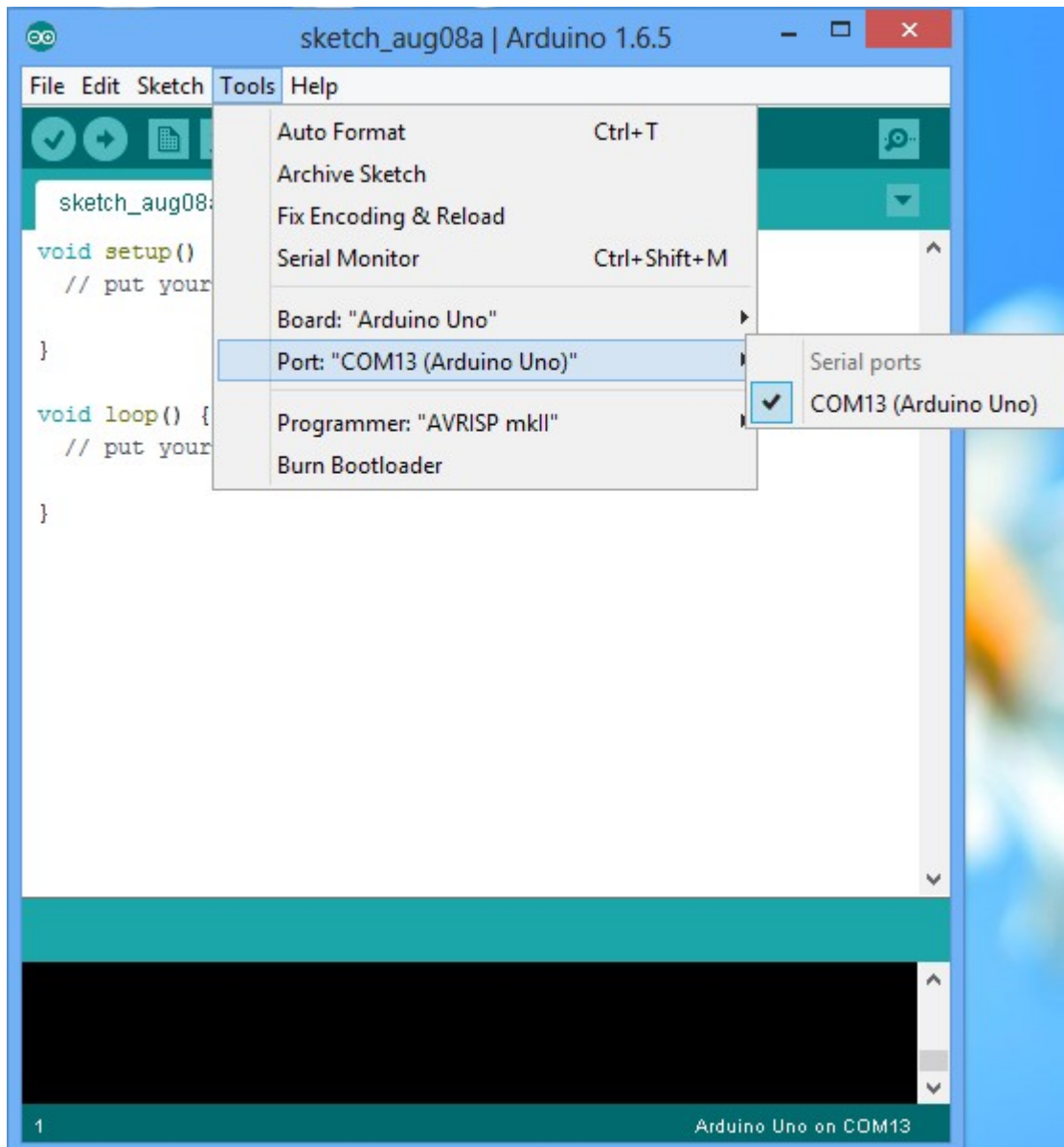


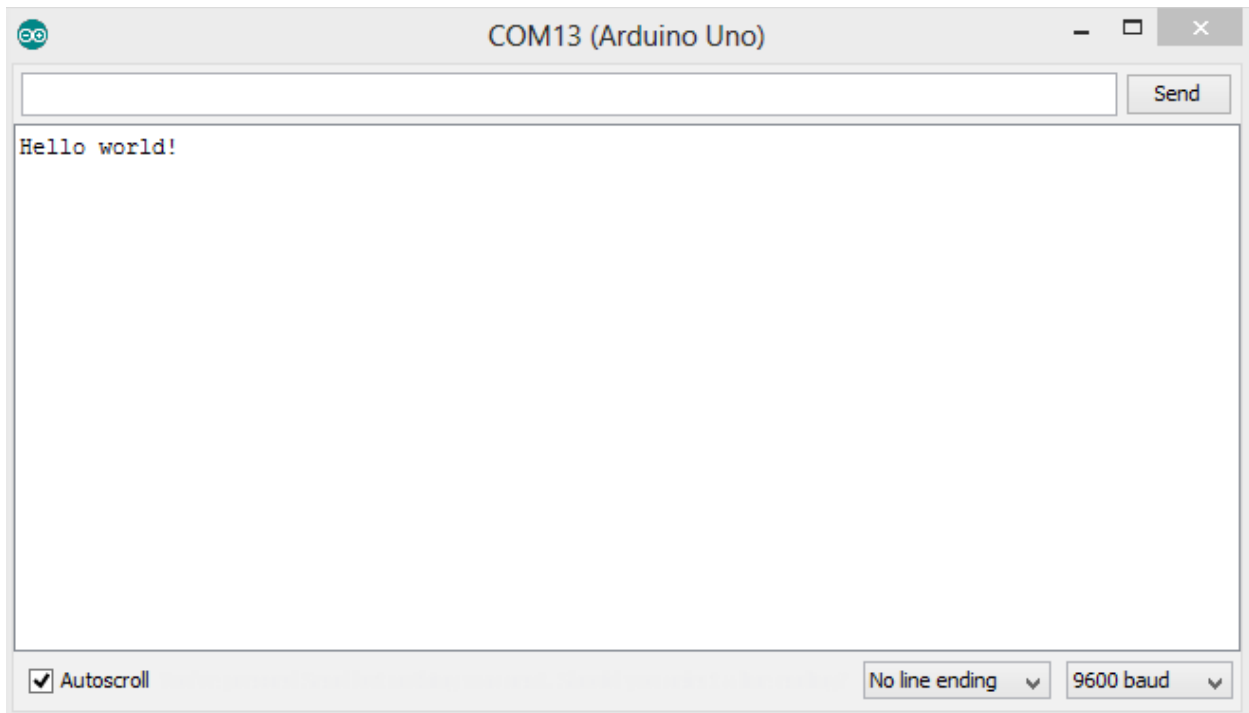
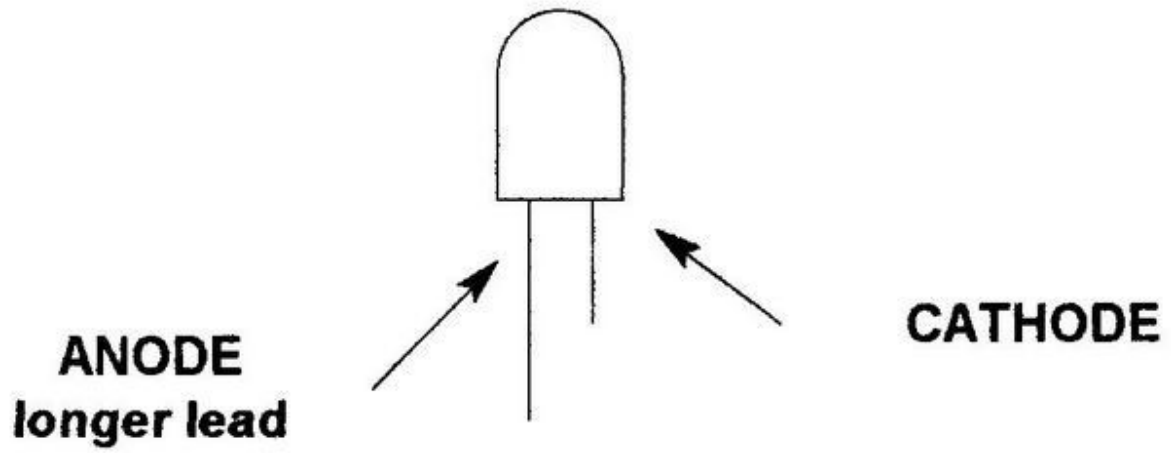


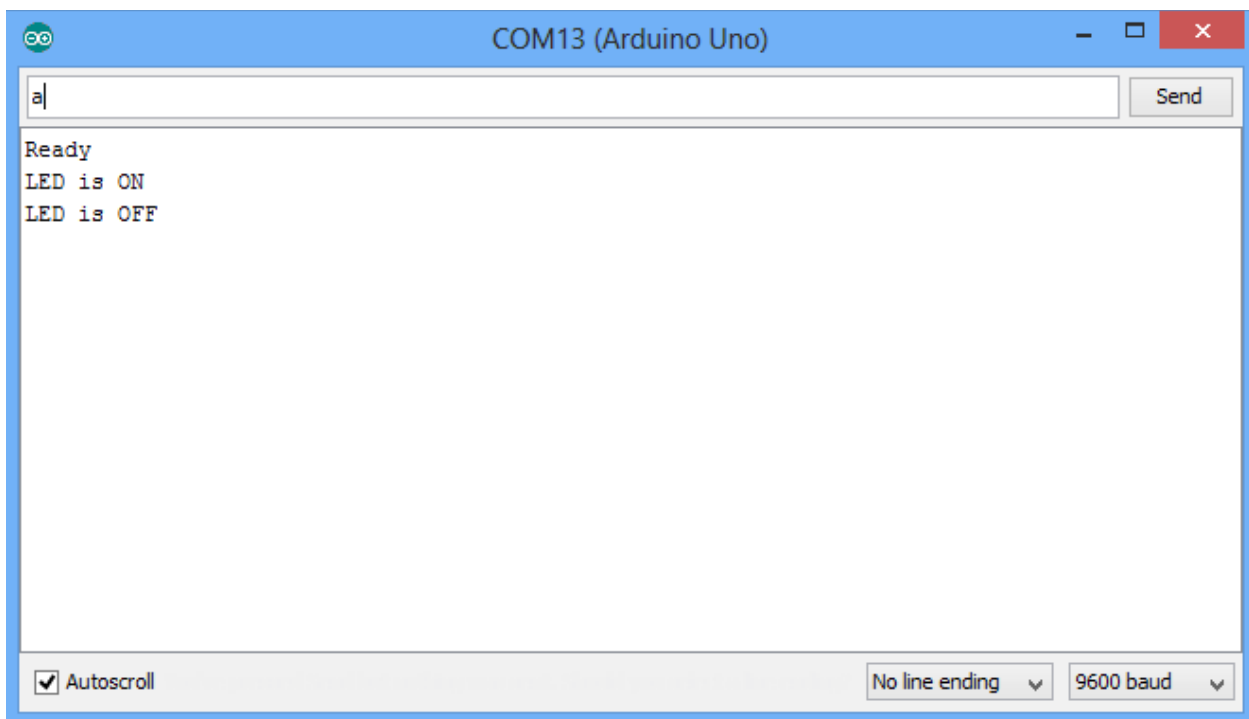
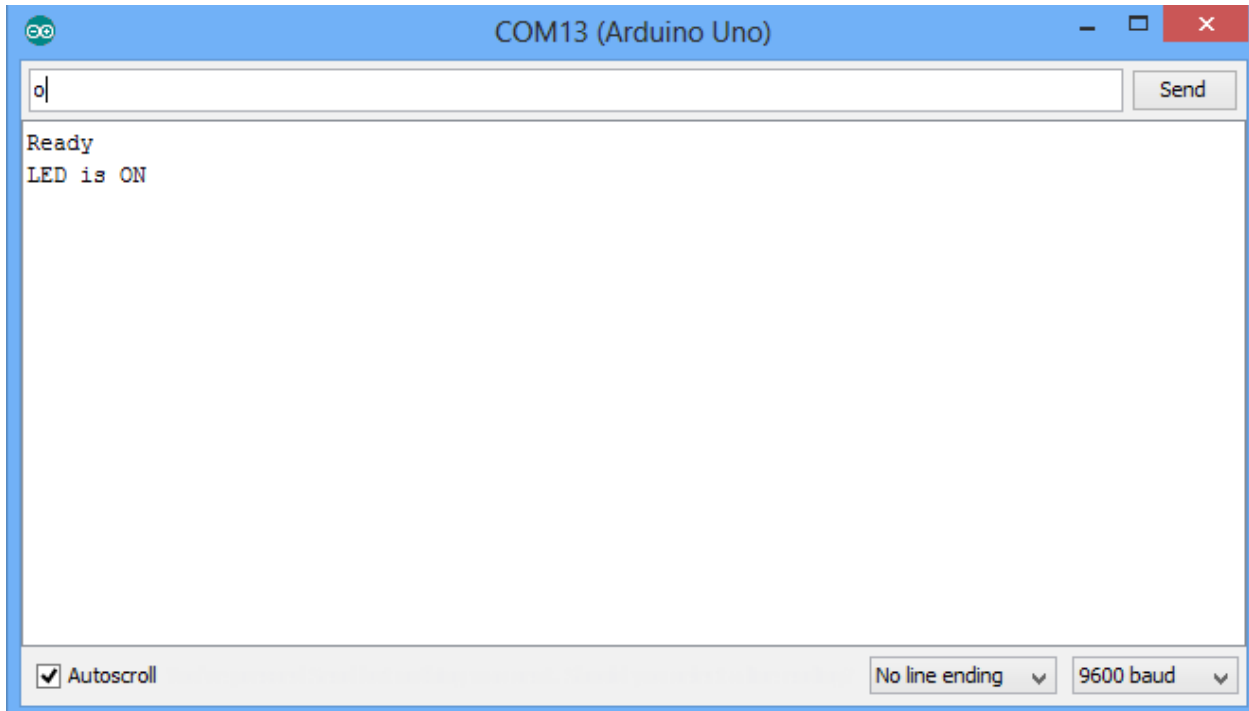






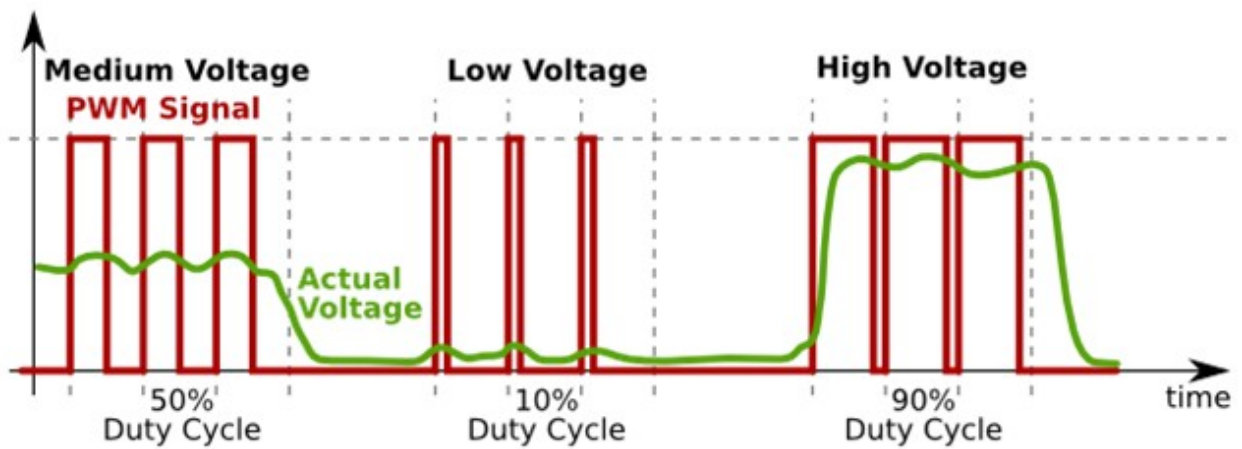
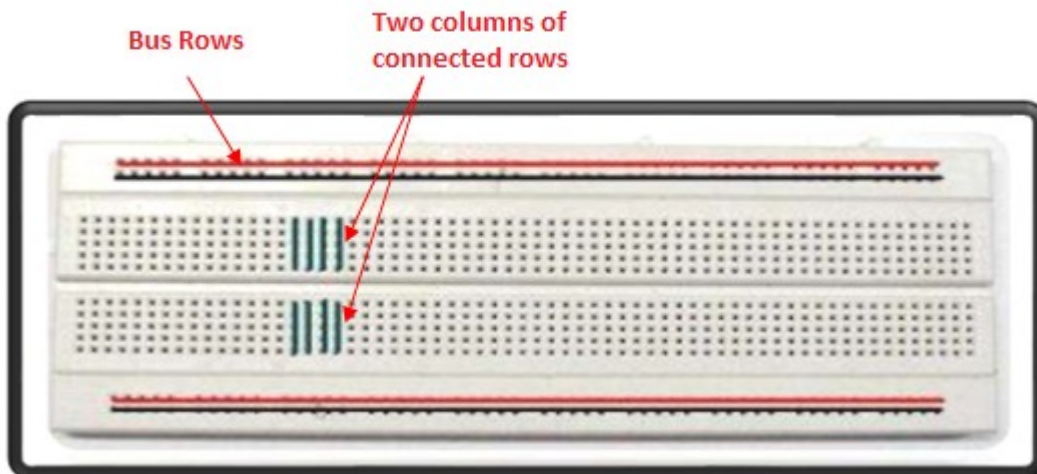
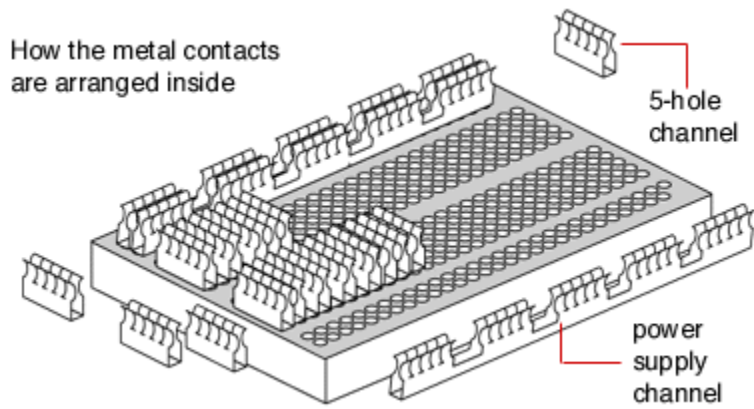




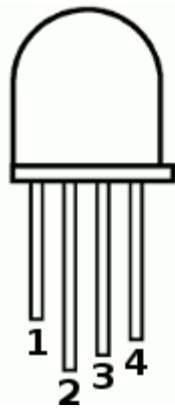
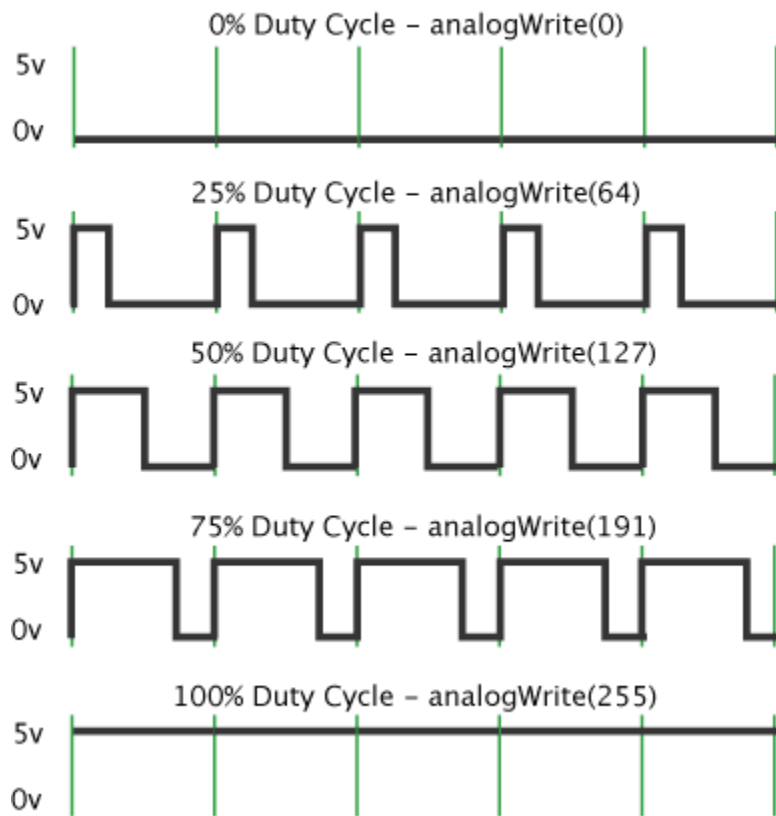




## Chapter 2

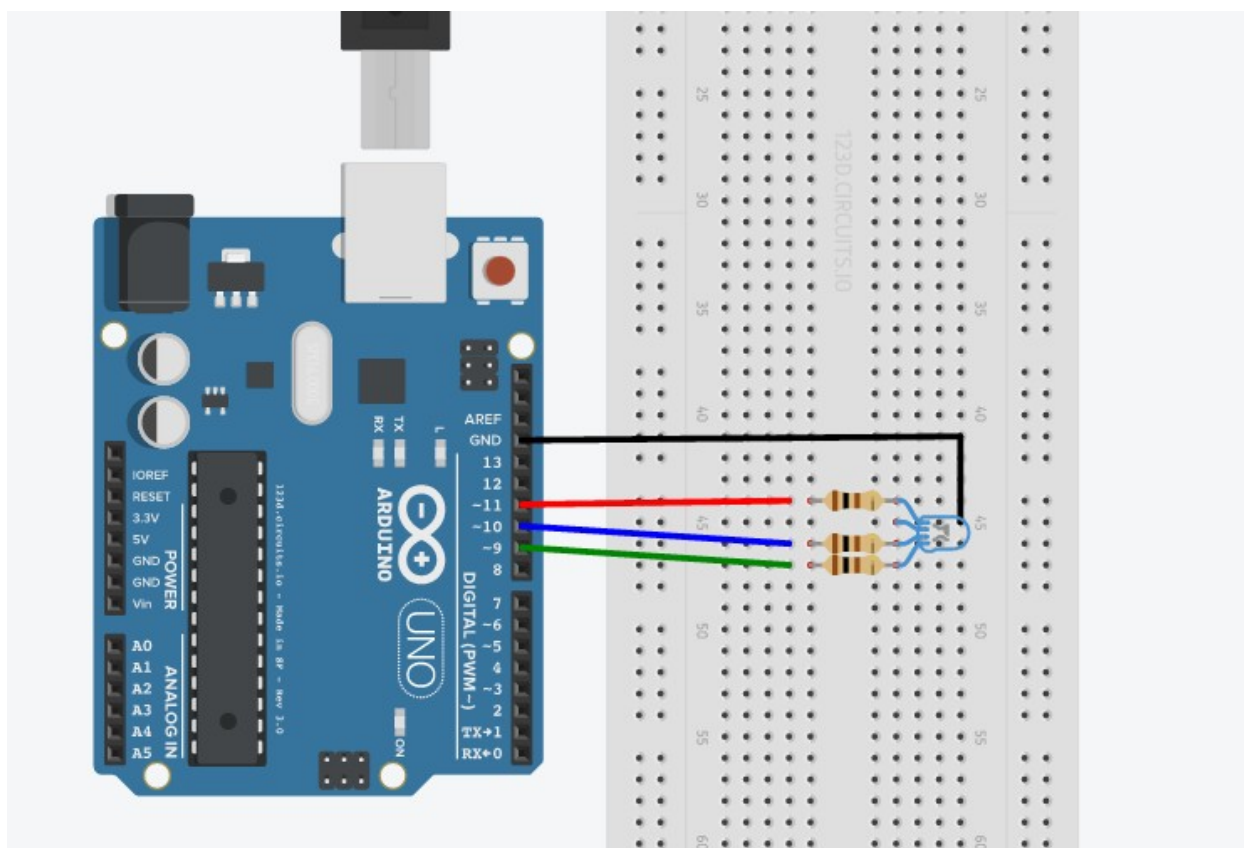
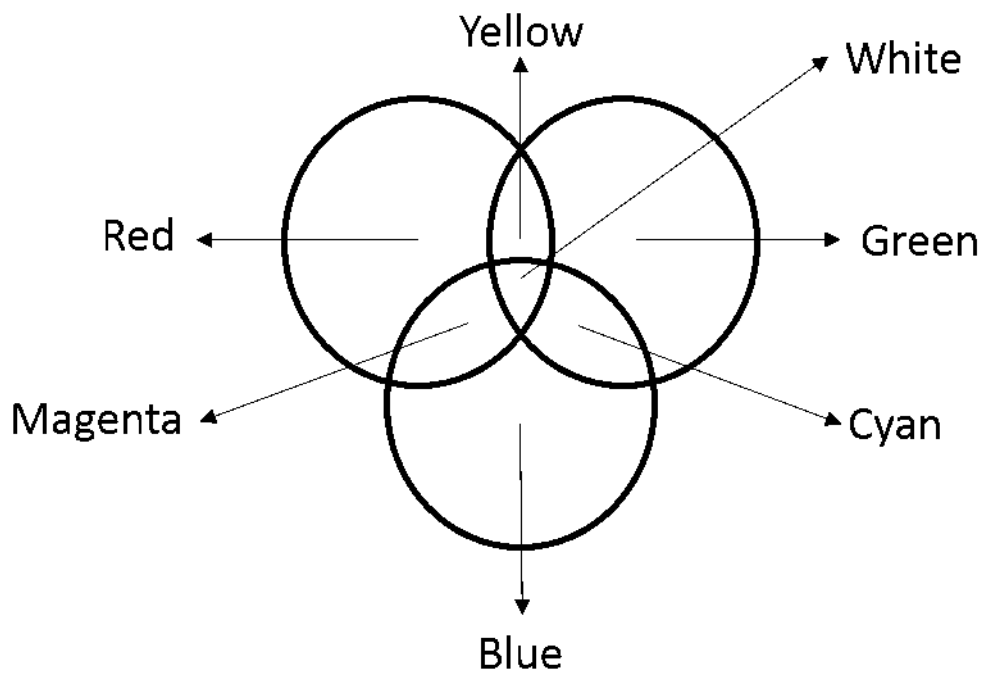


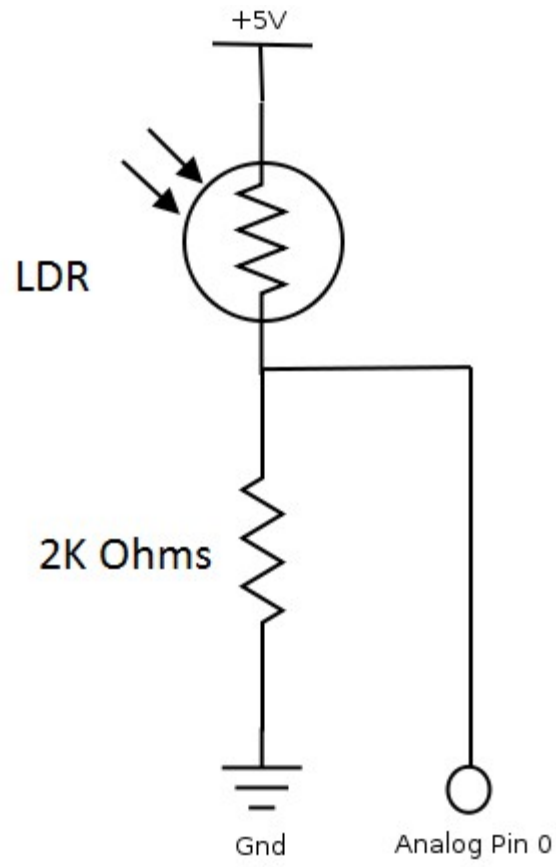
## Pulse Width Modulation



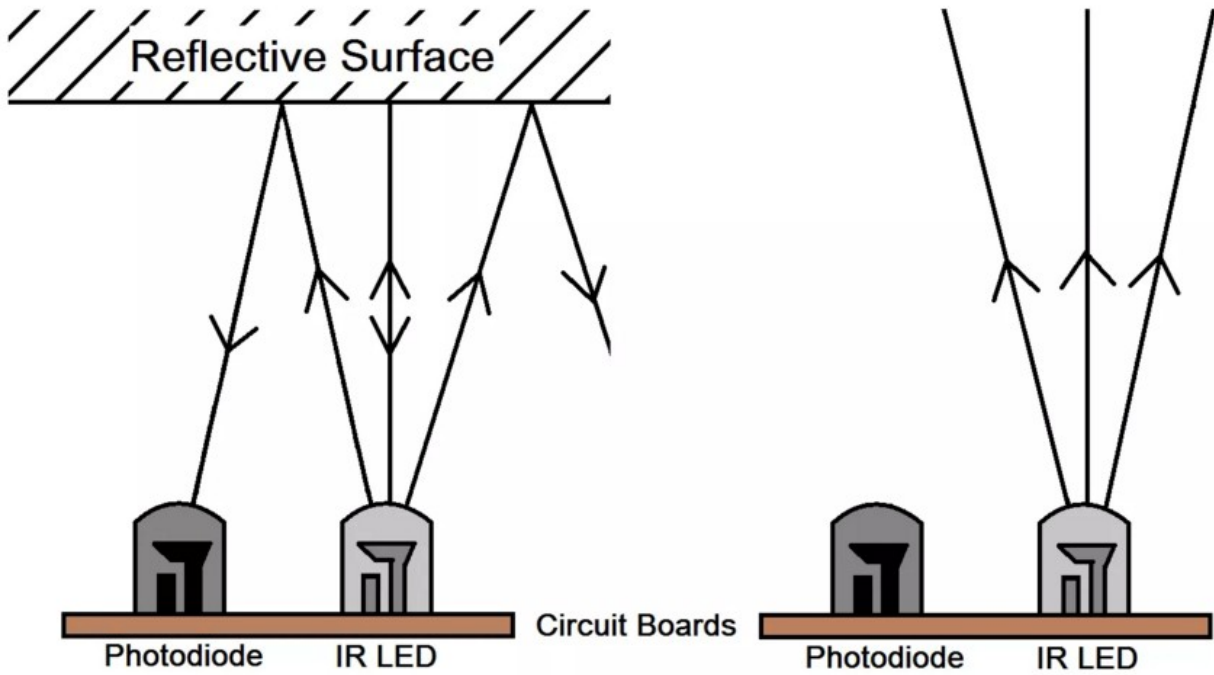
## RGB LED

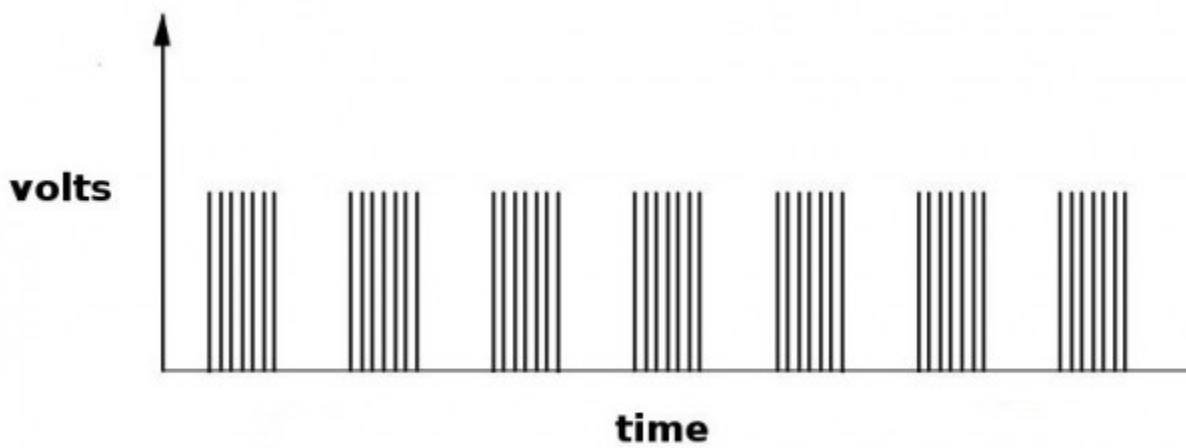
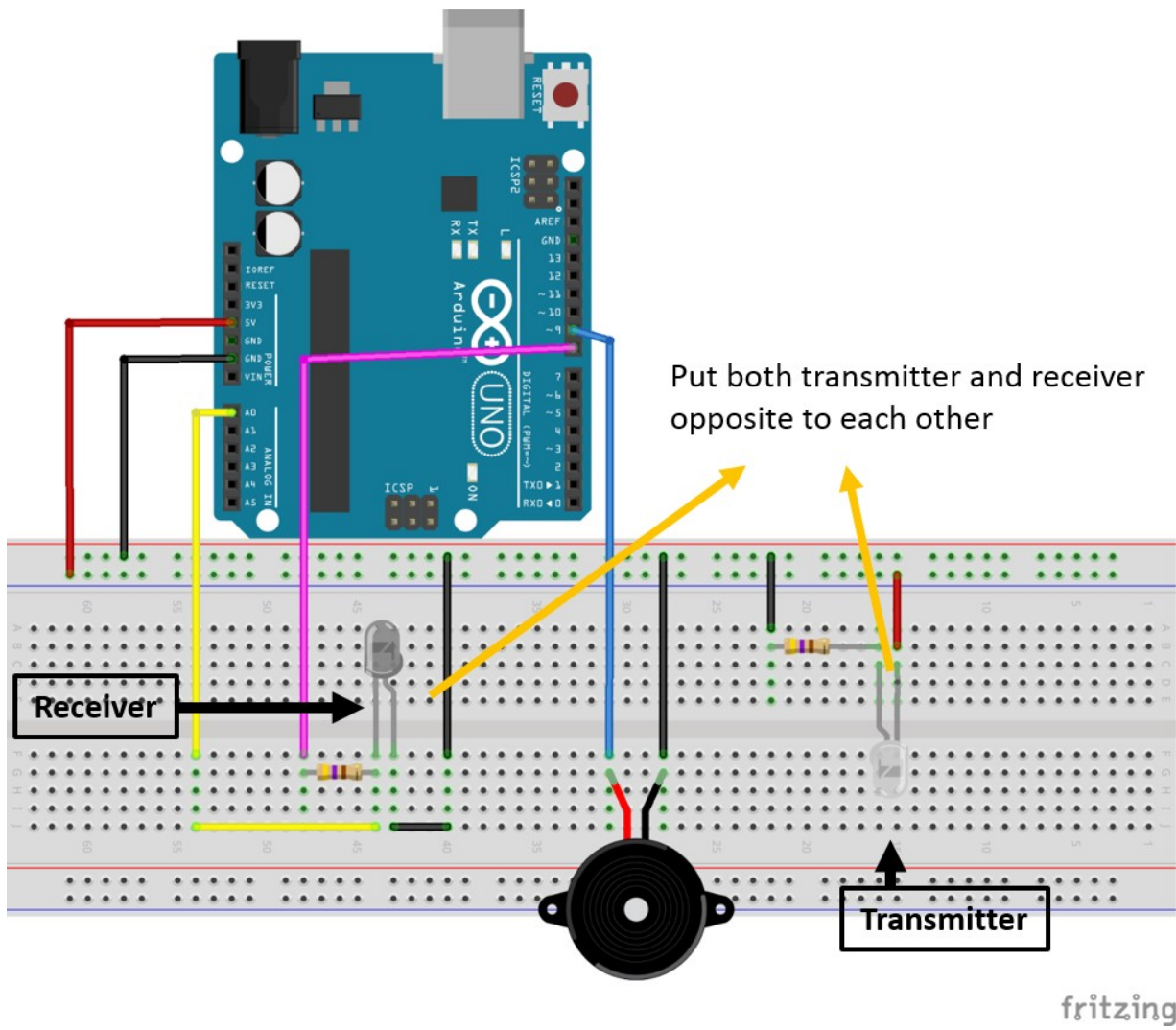
- 1: Green (+)
- 2: Ground (-)
- 3: Blue (+)
- 4: Red (+)

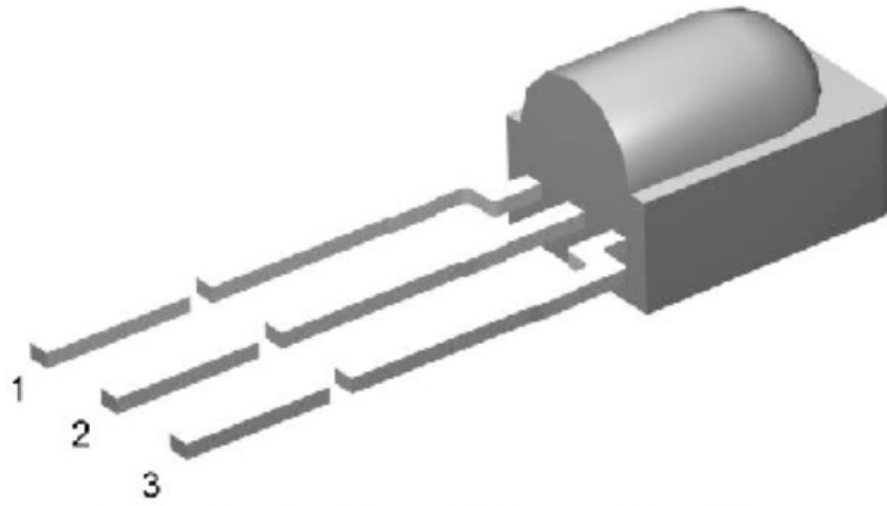
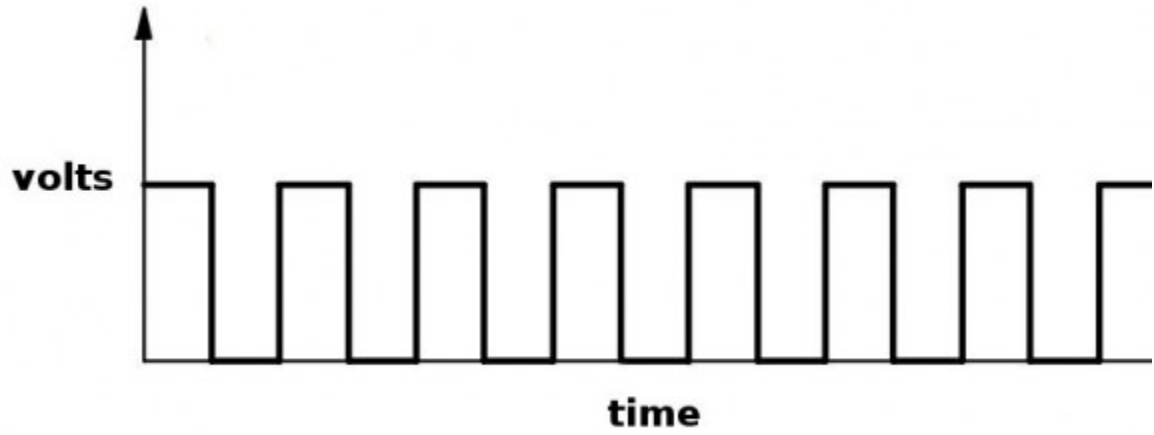




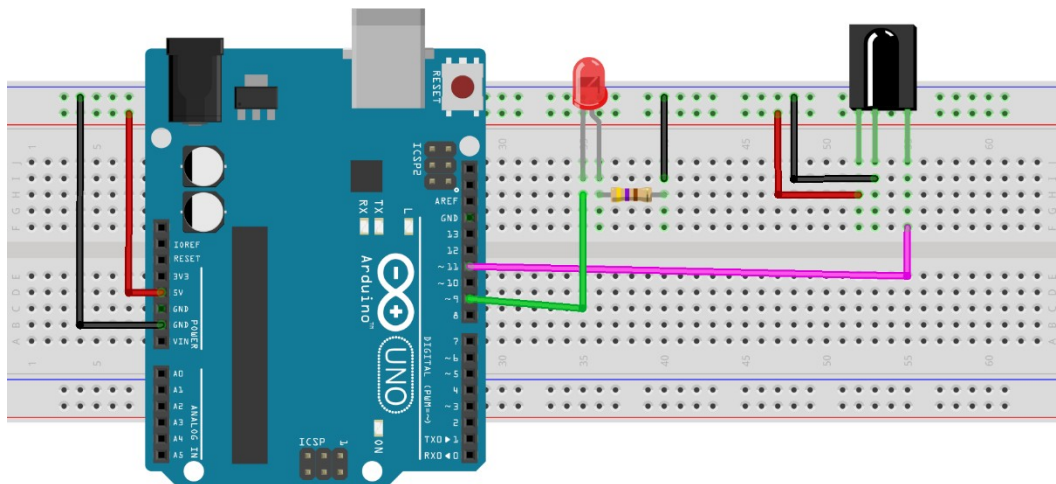
# Chapter 3

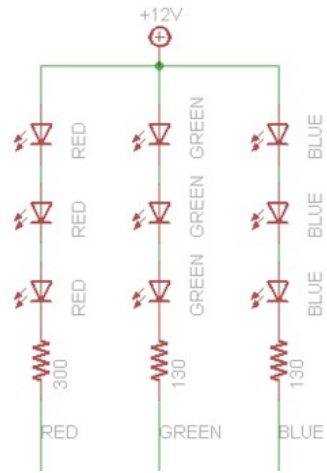




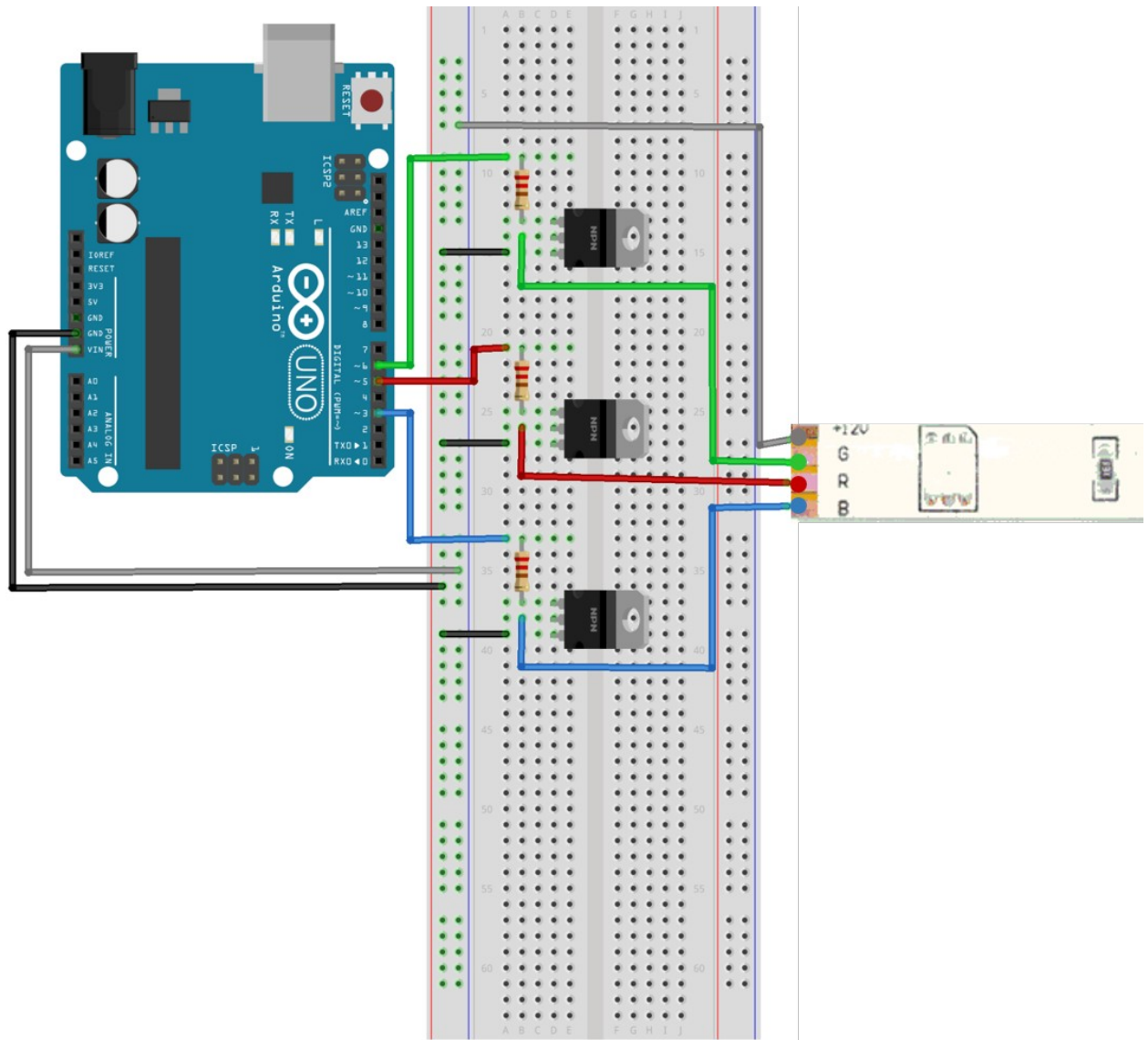


1 = OUT, 2 = GND, 3 =  $V_S$





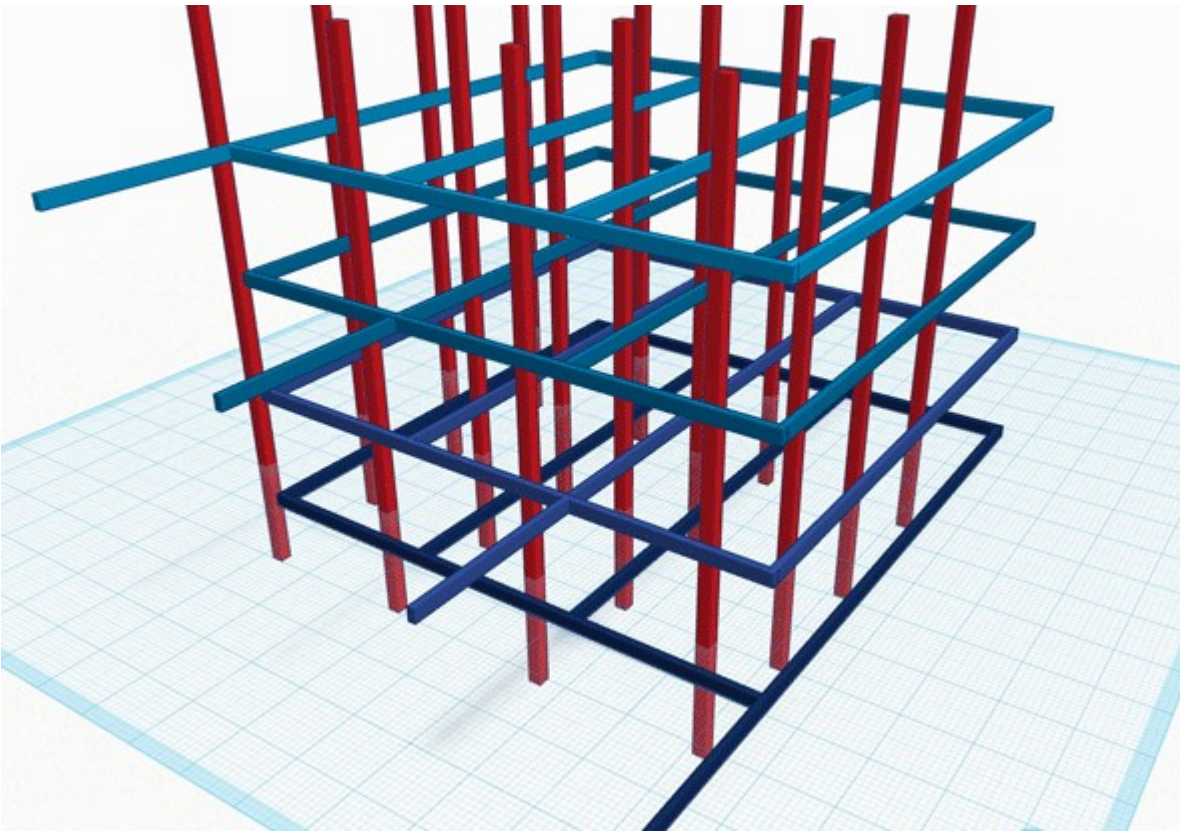


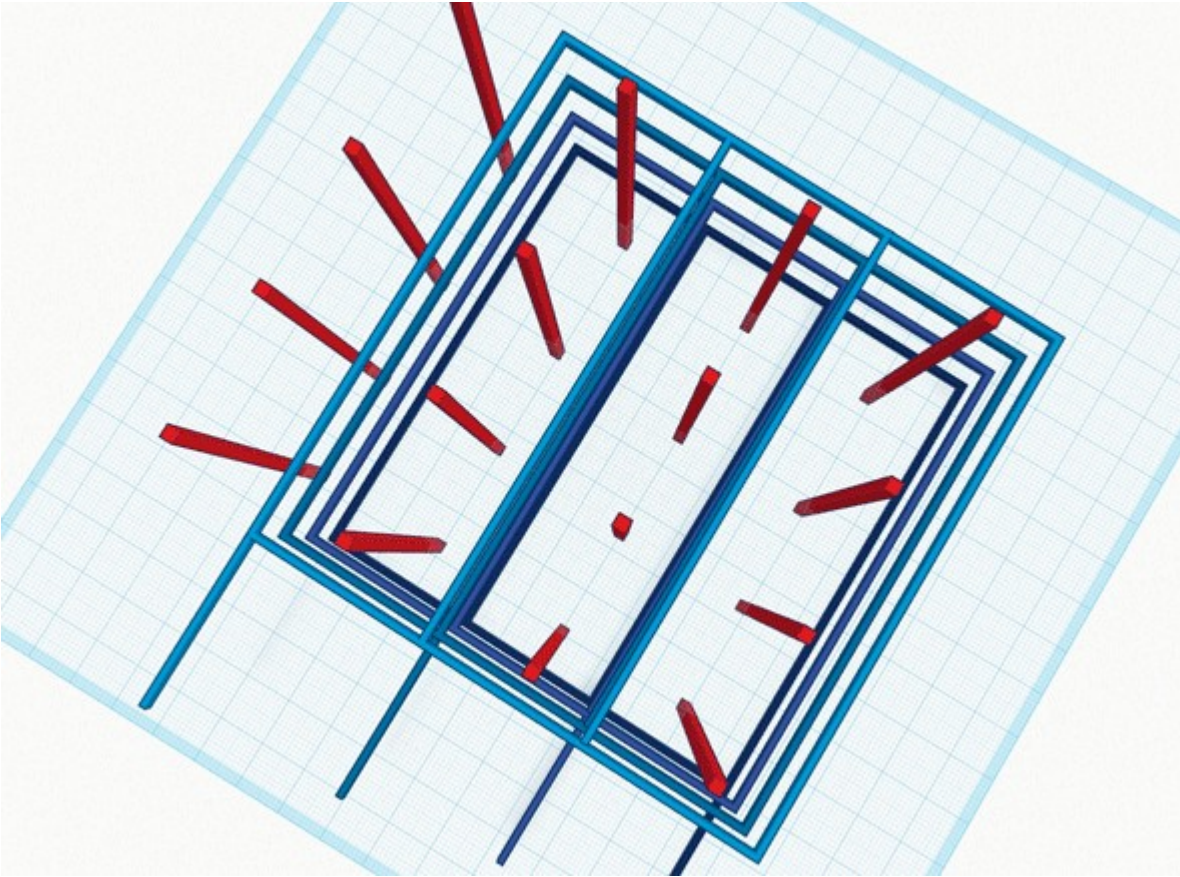


fritzing

# Chapter 4

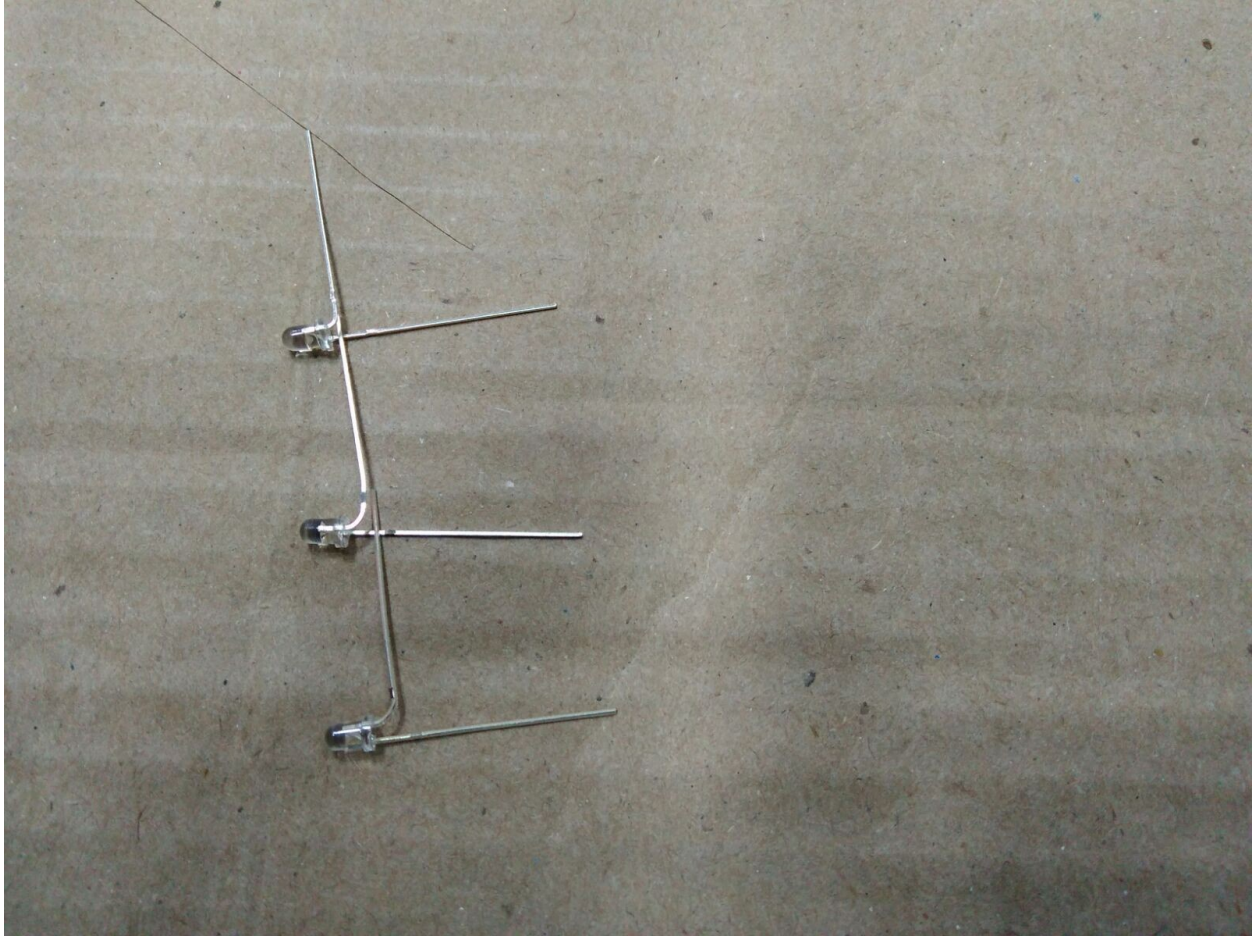




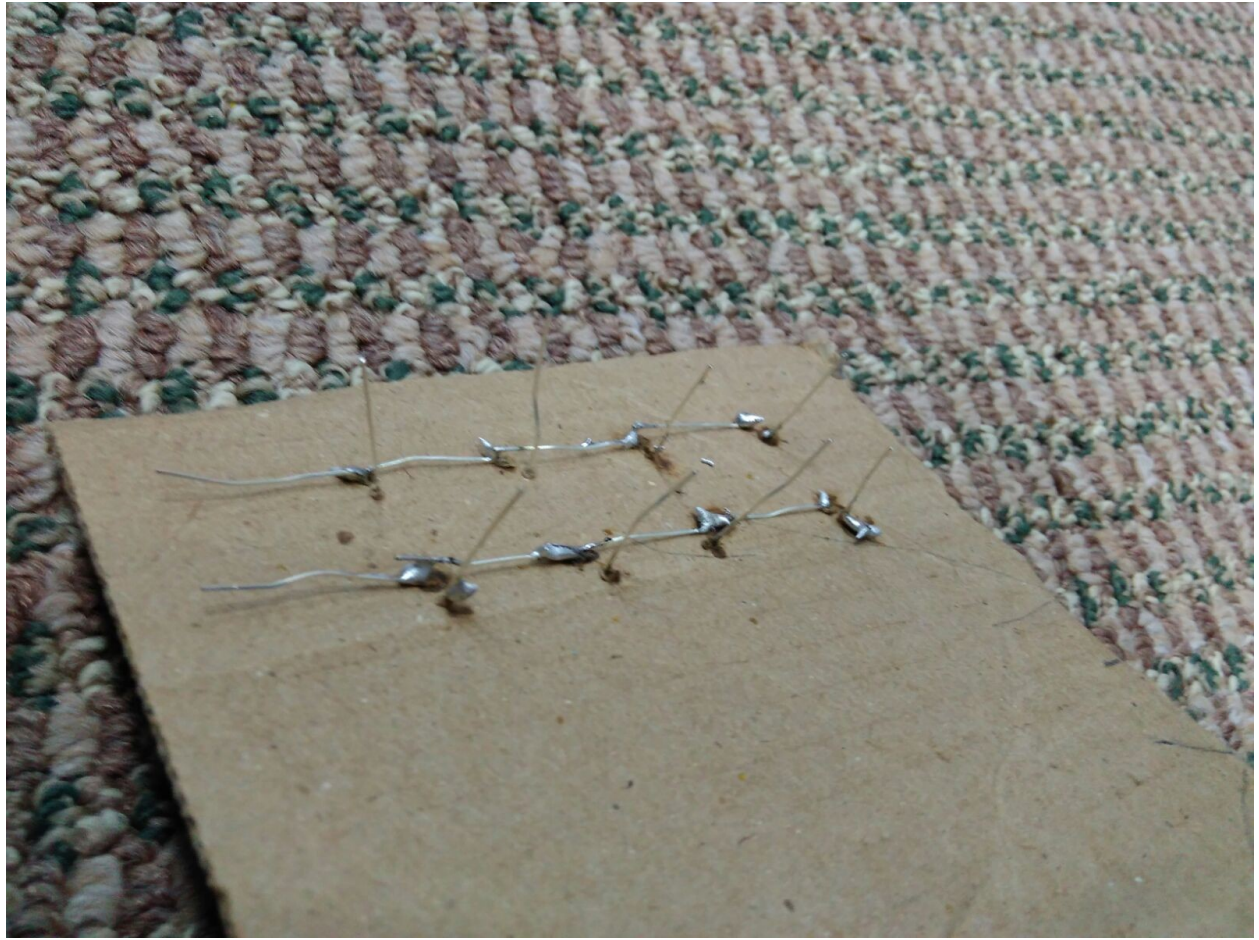






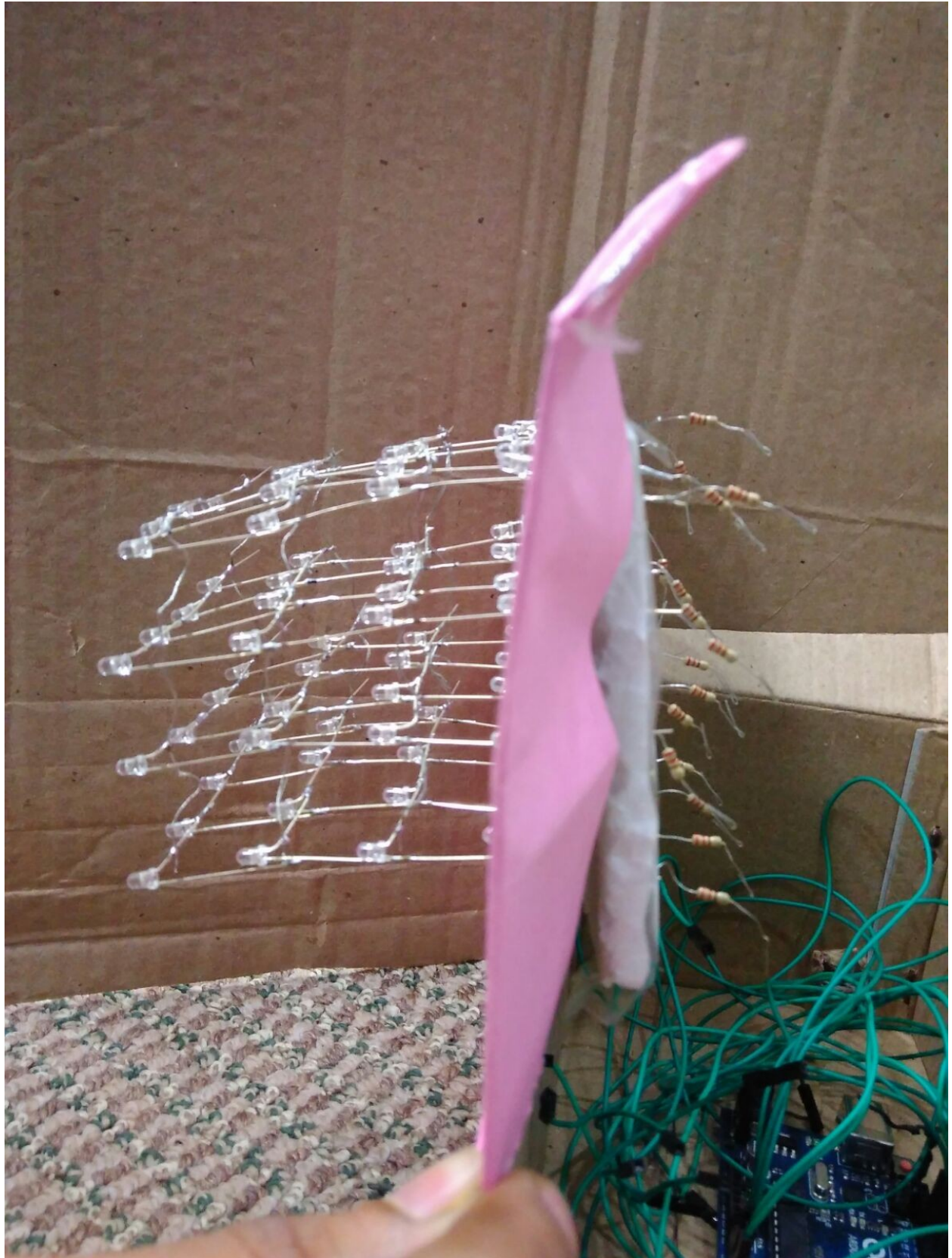


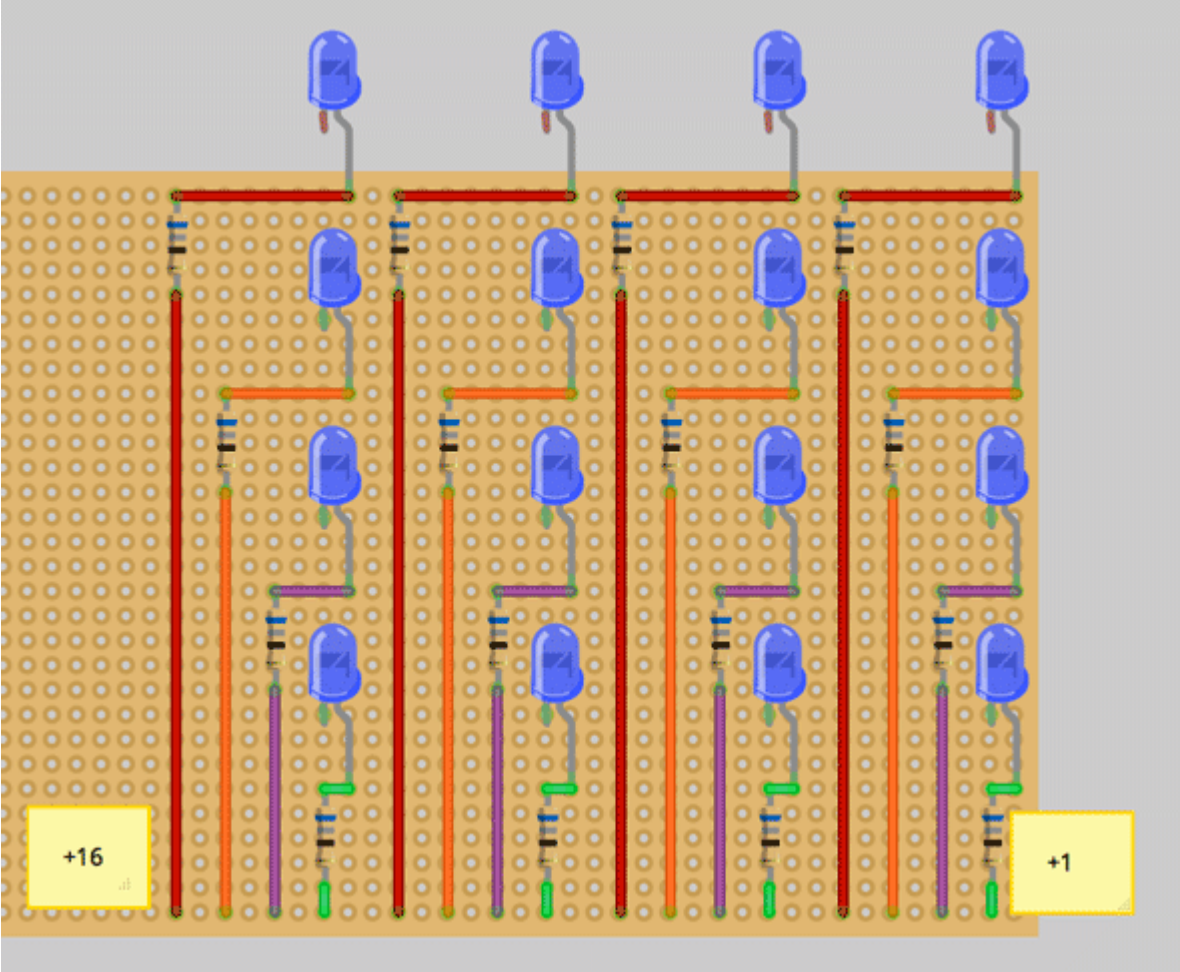




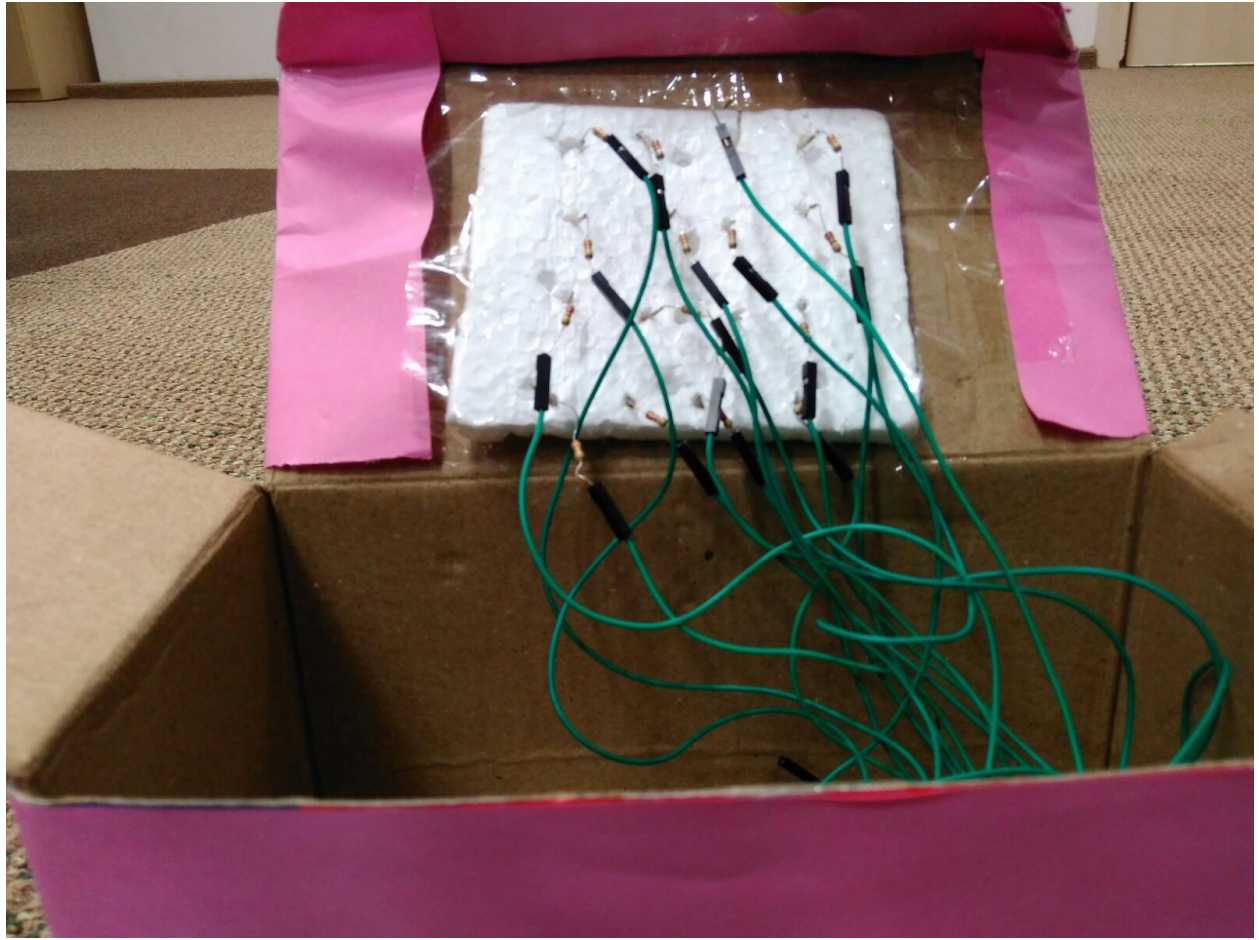


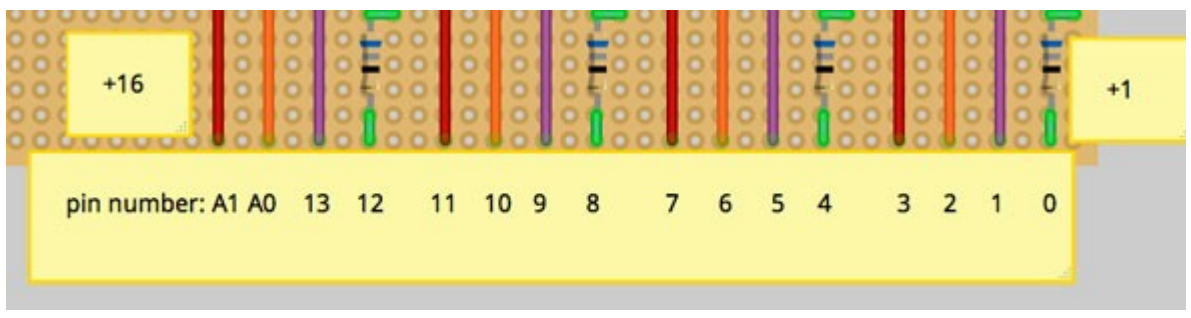
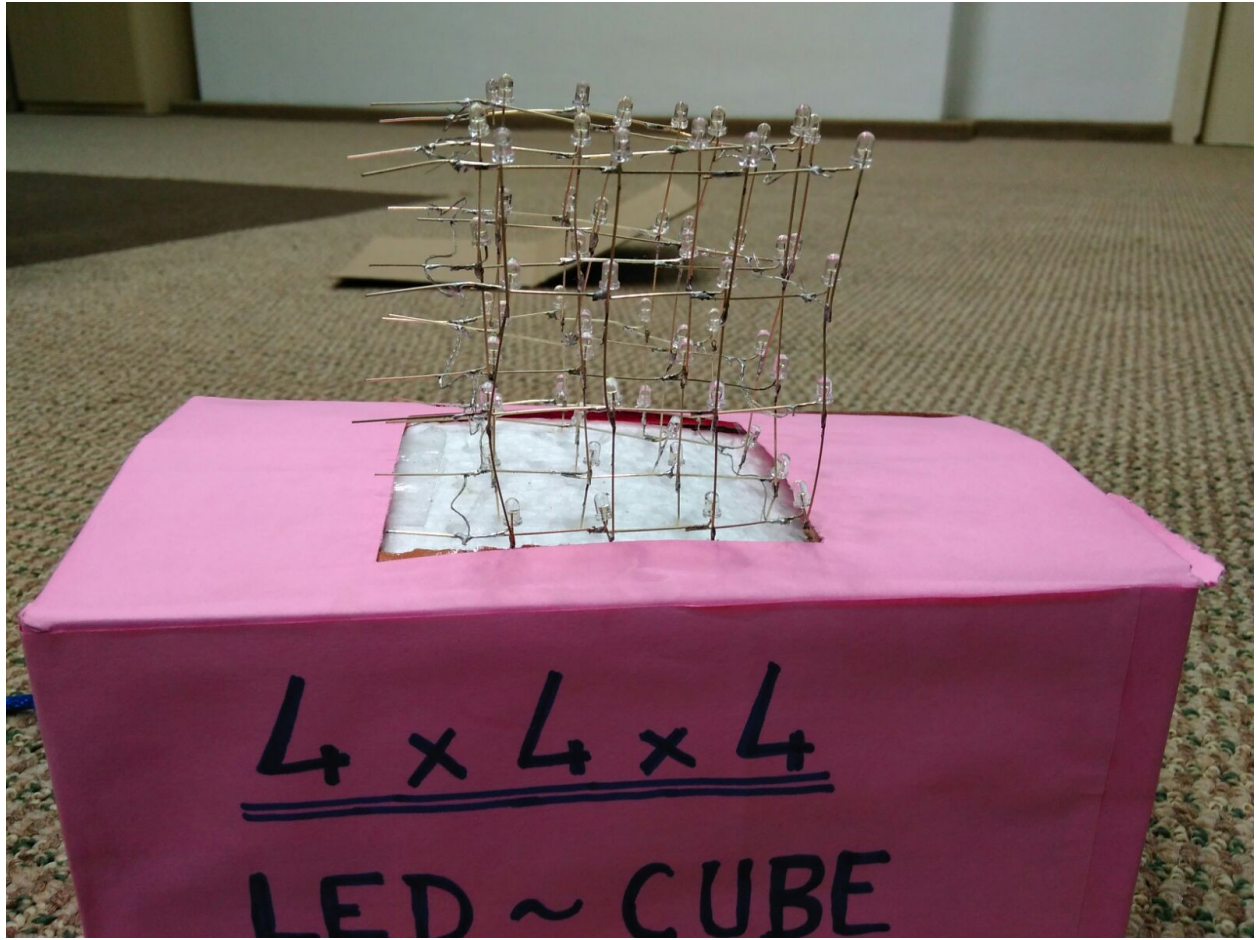




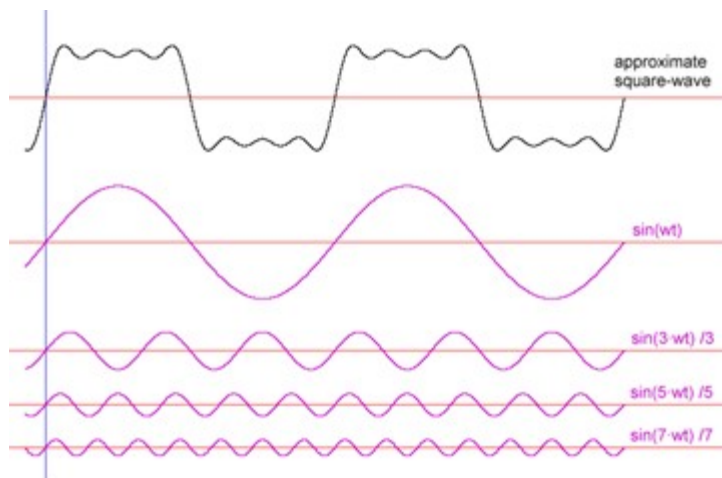
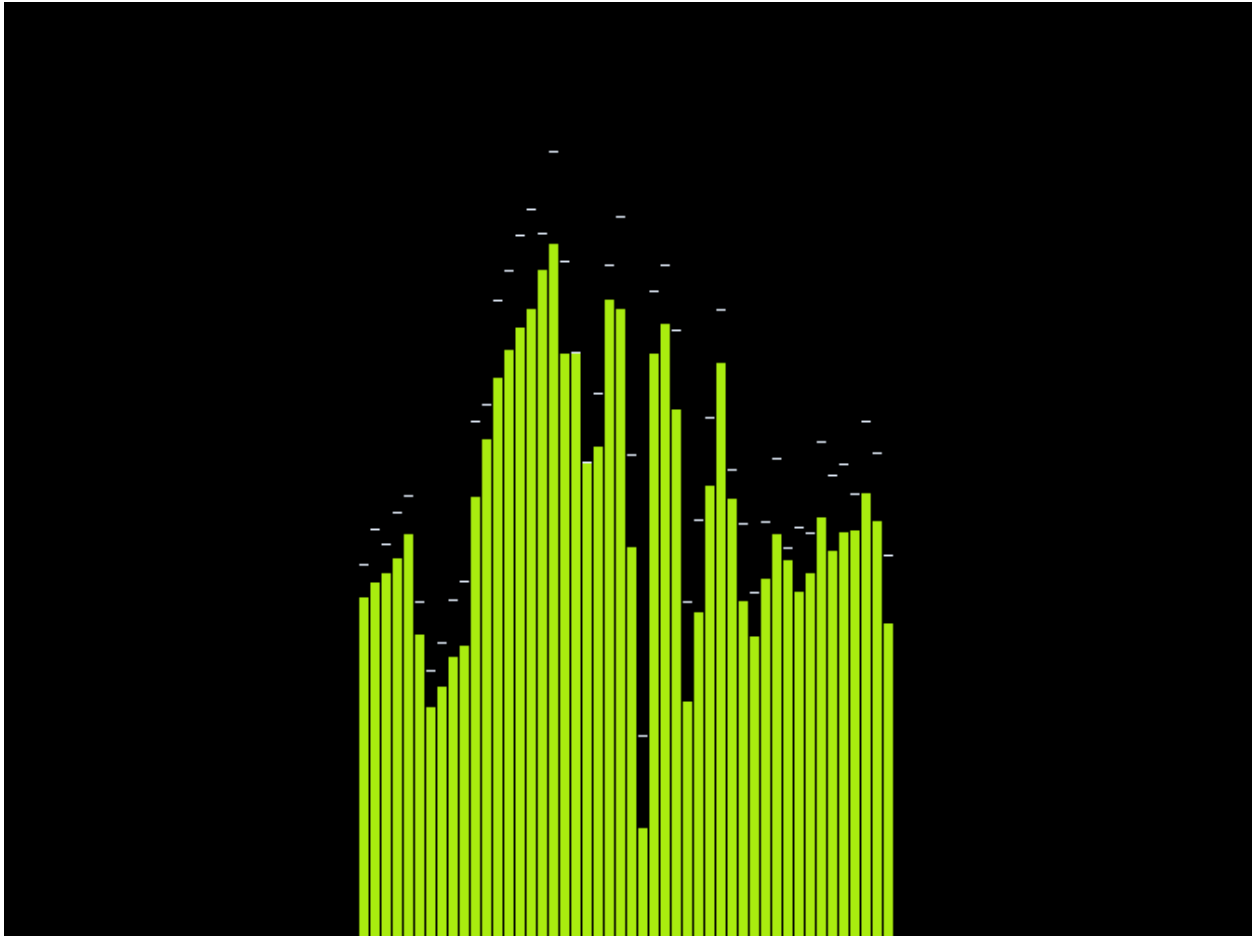


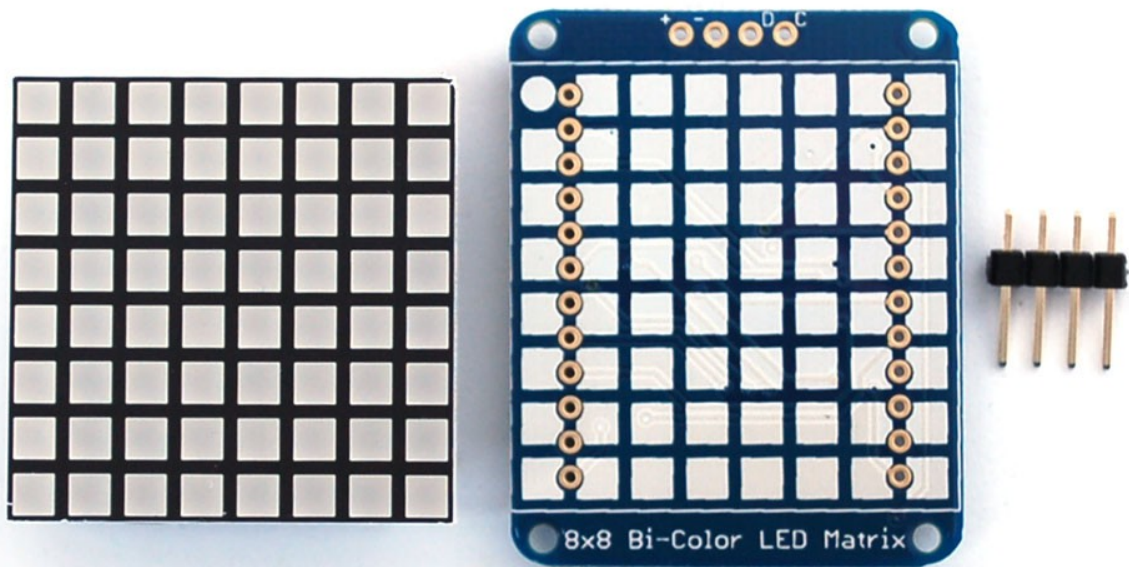
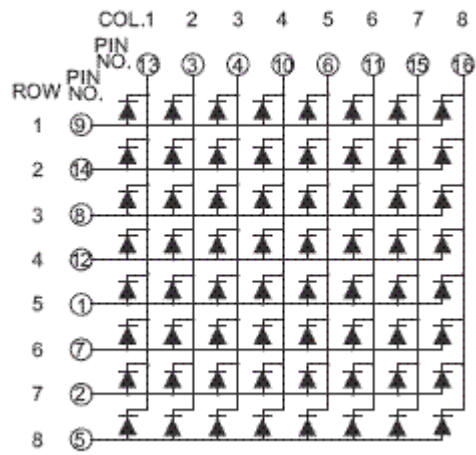




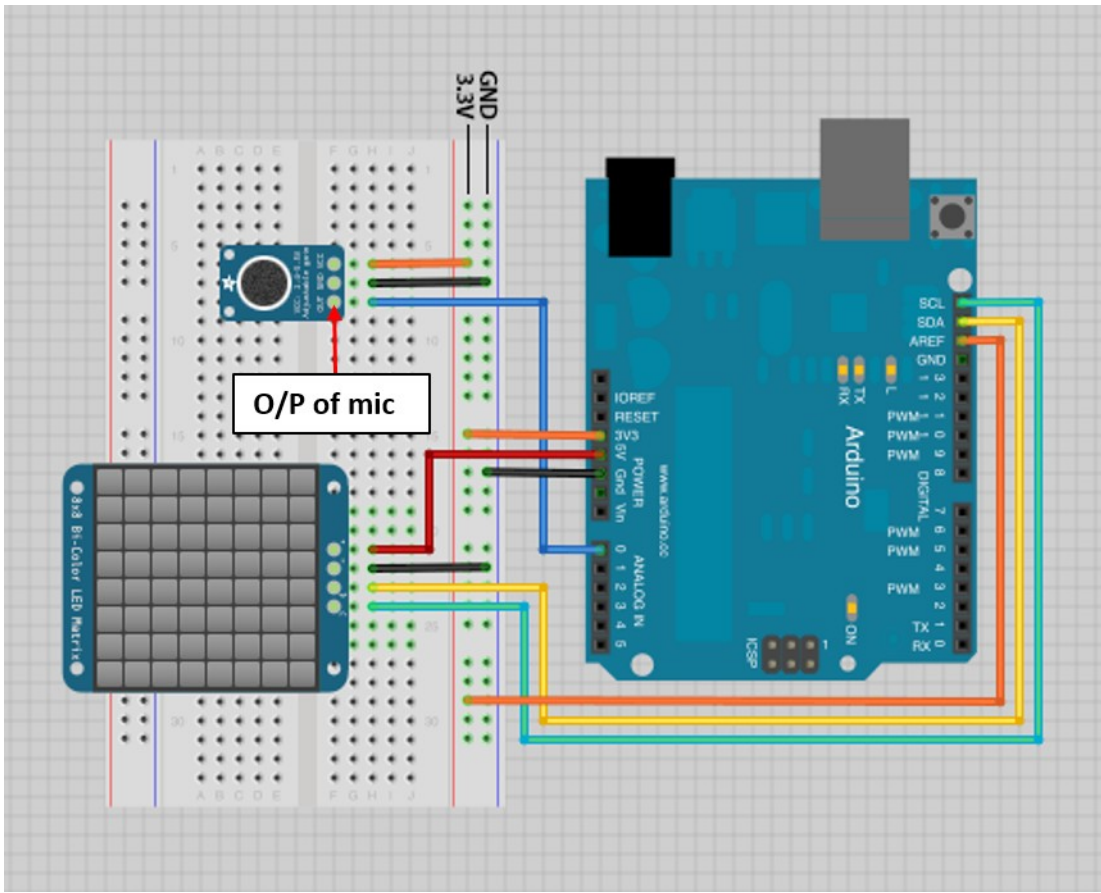


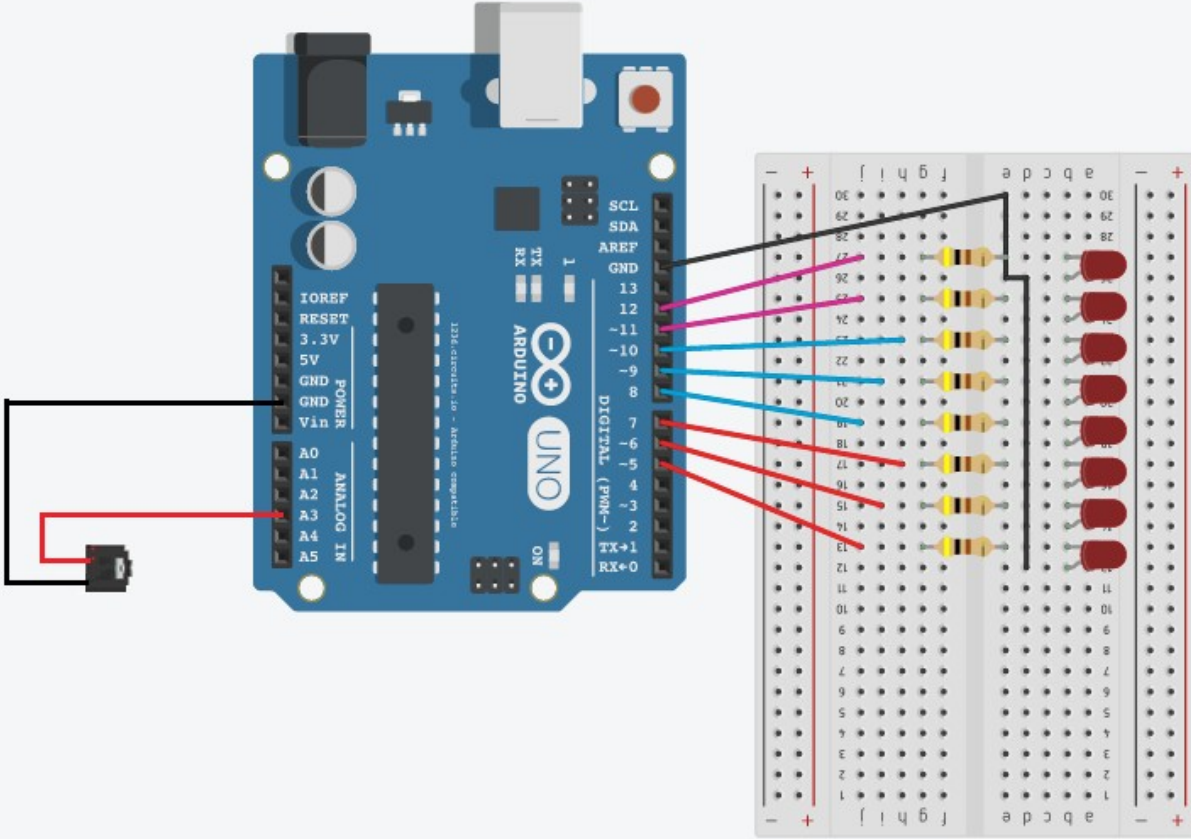
## Chapter 5





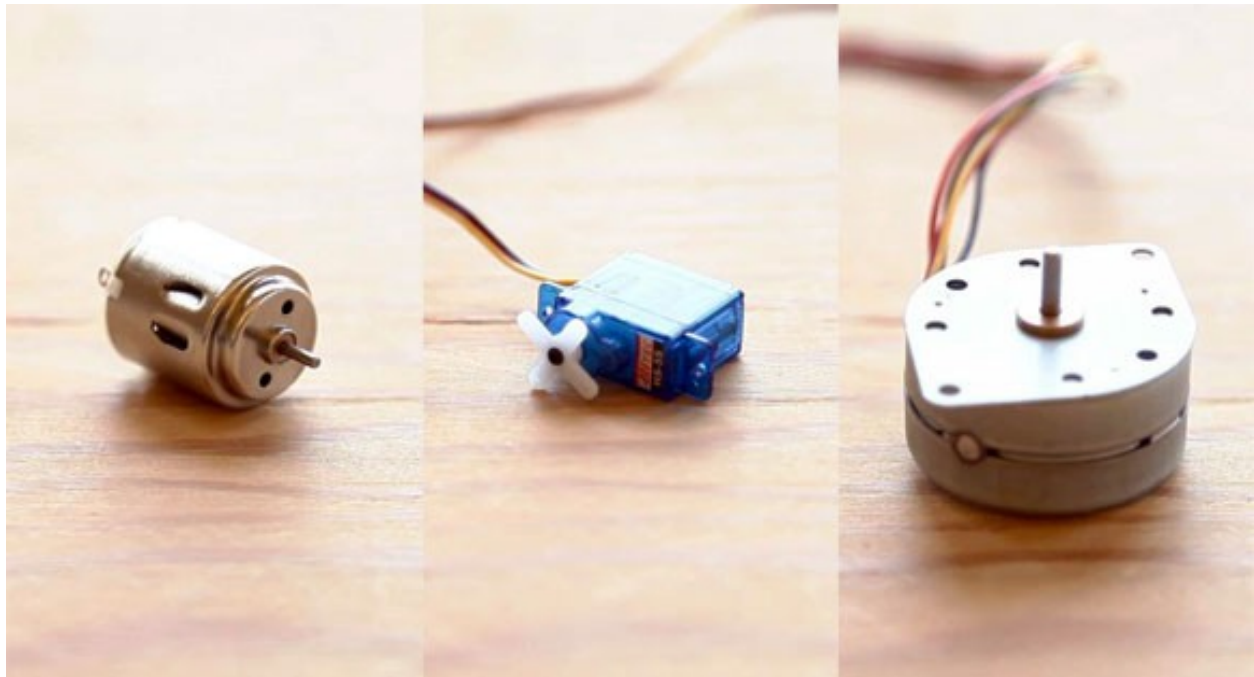
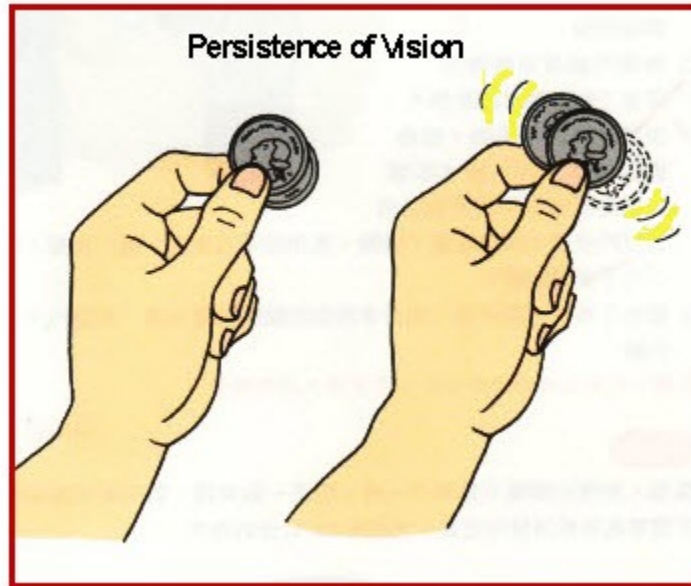


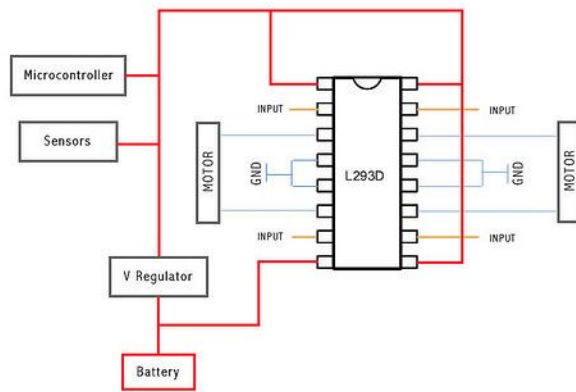
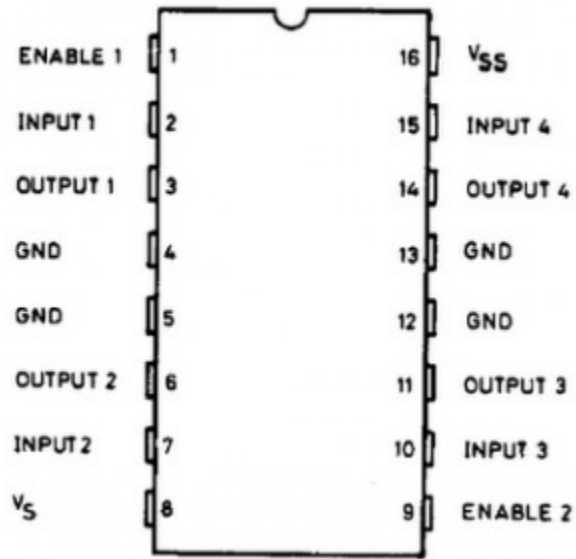


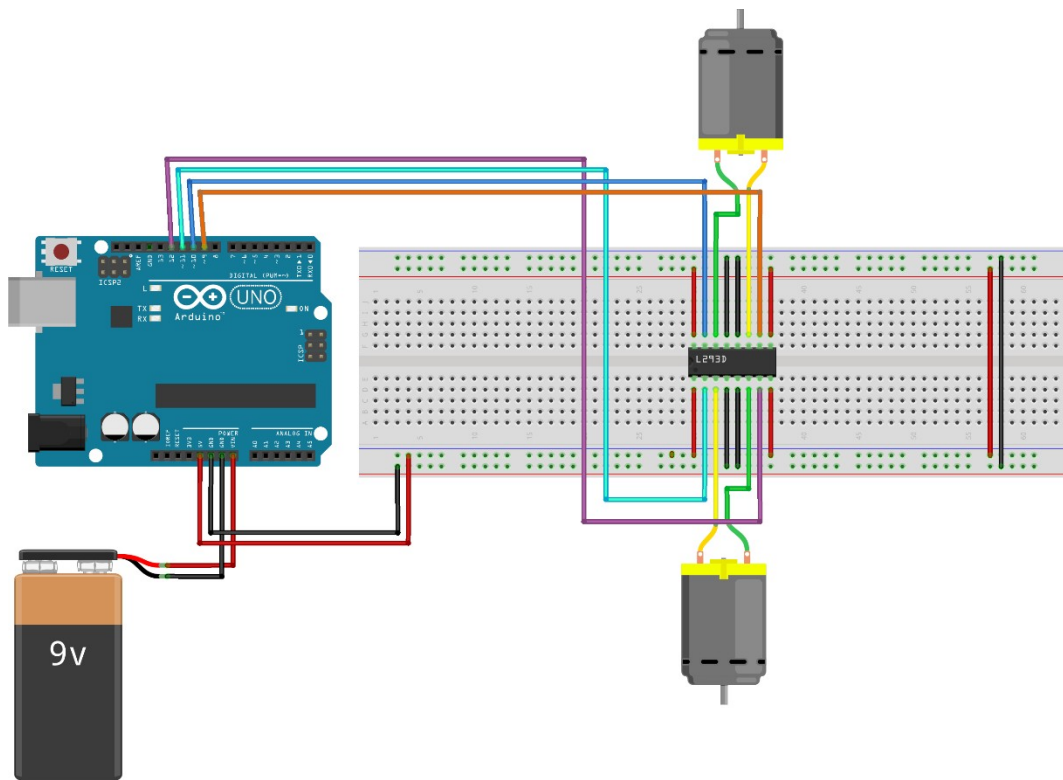


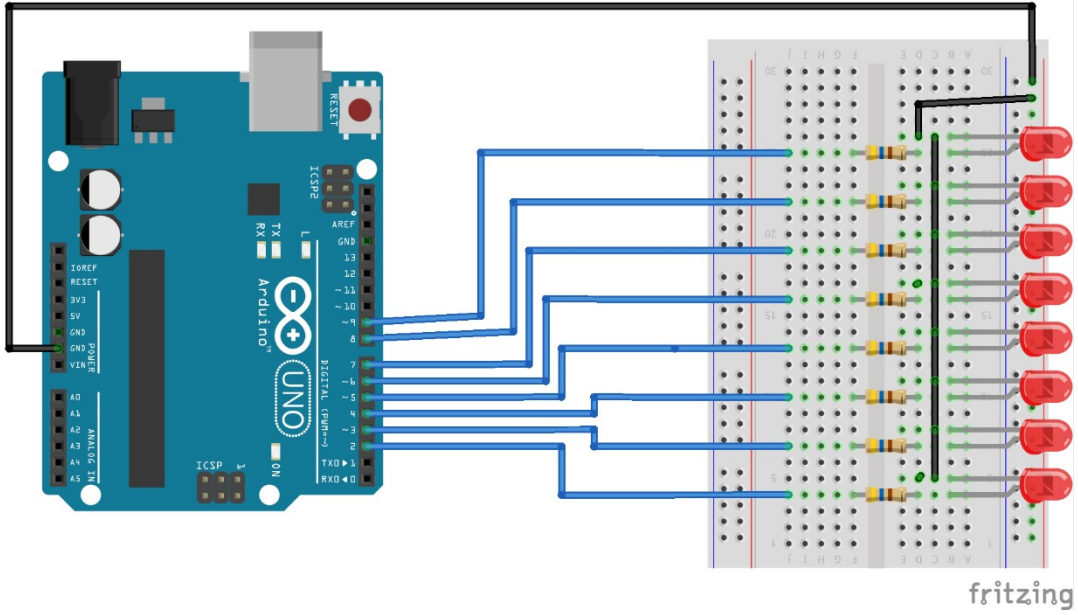


## Chapter 6









## Chapter 7

