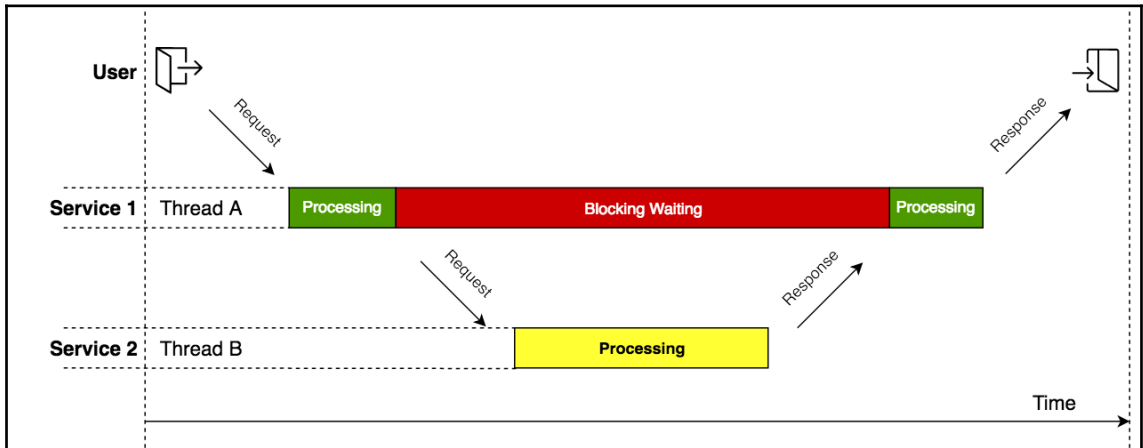
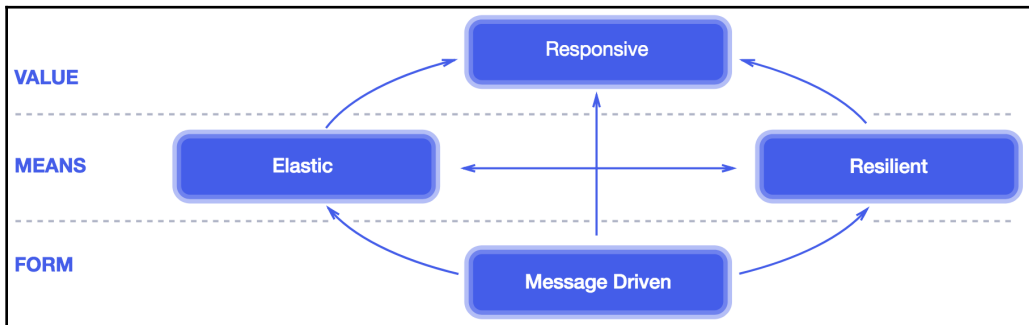
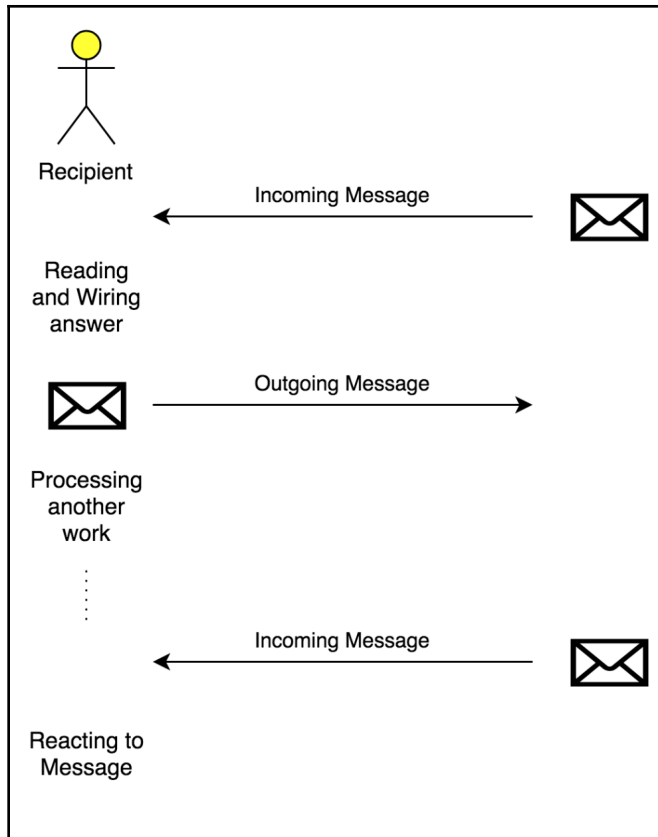
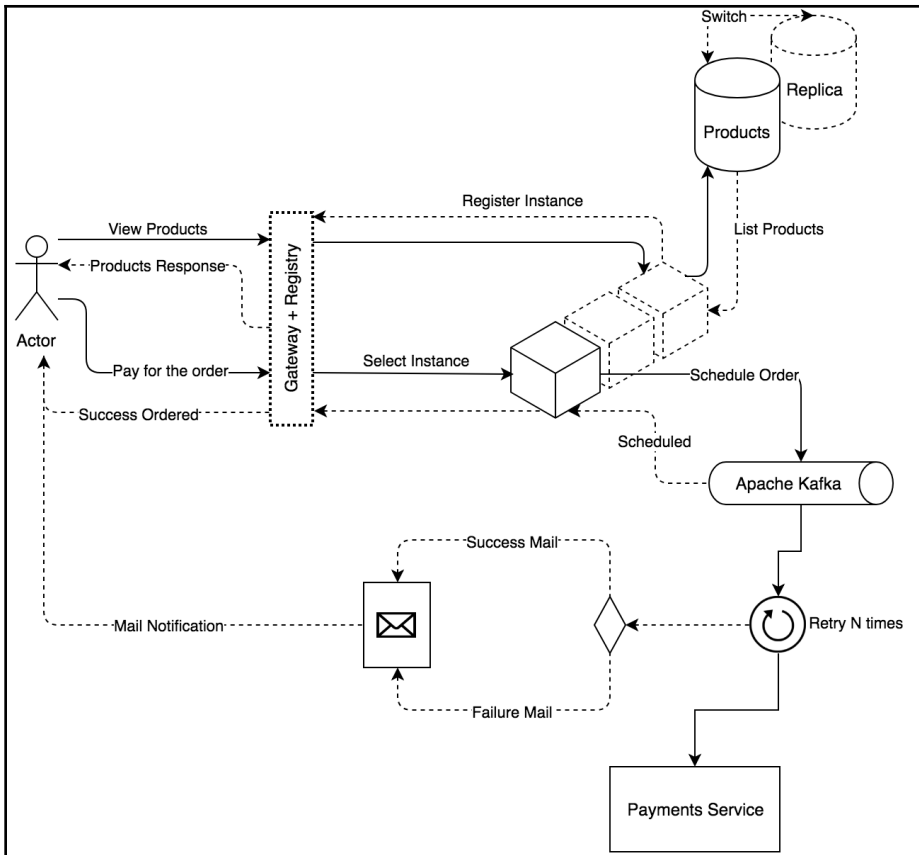
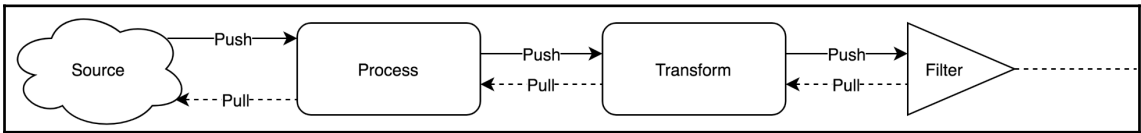
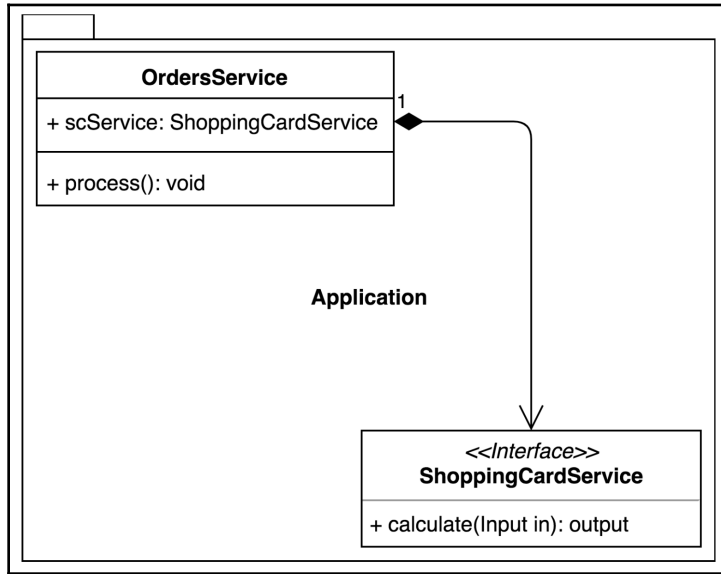
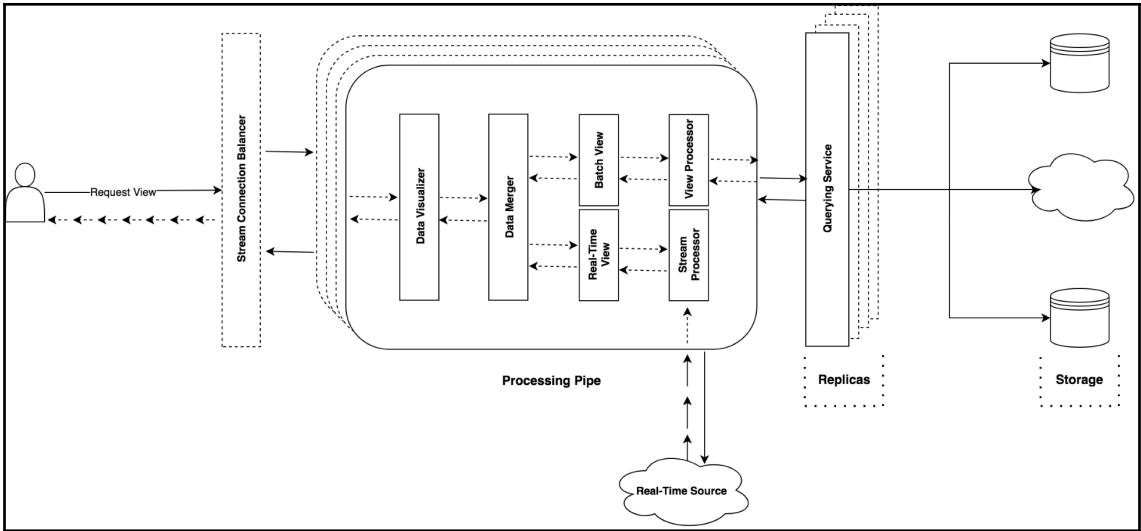


Chapter 1: Why Reactive Spring?



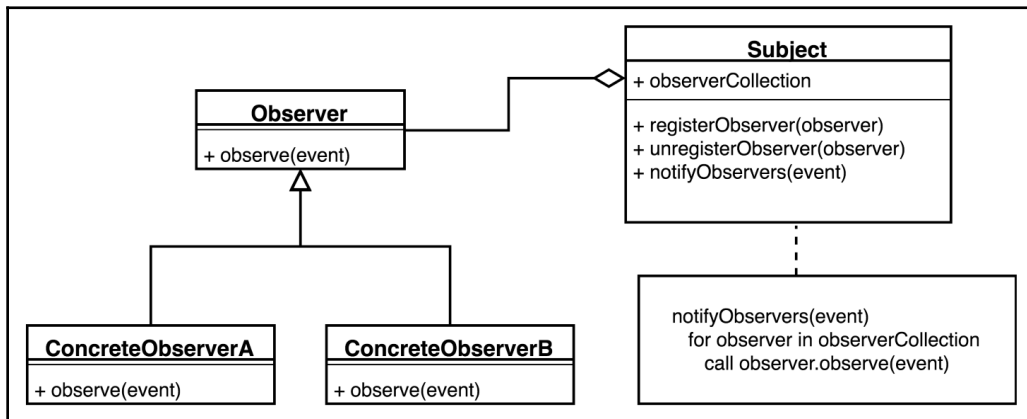
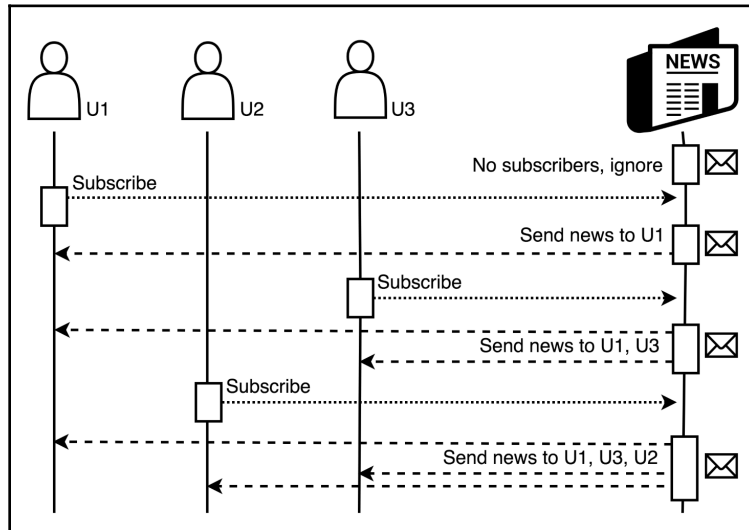


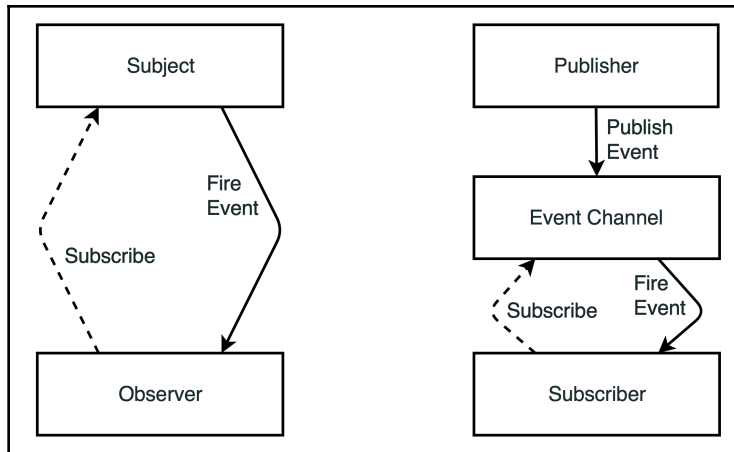




Chapter 2: Reactive Programming in Spring

- Basic Concepts





SPRING INITIALIZR bootstrap your application now

Generate a with and Spring Boot

Project Metadata

Artifact coordinates

Group

Artifact

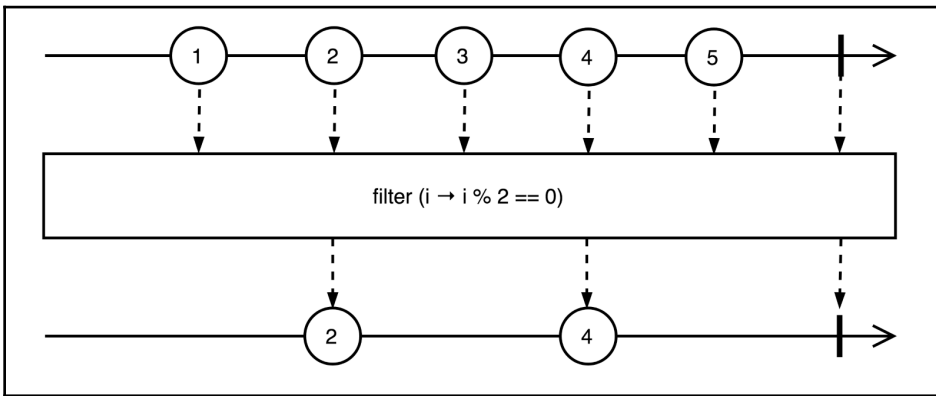
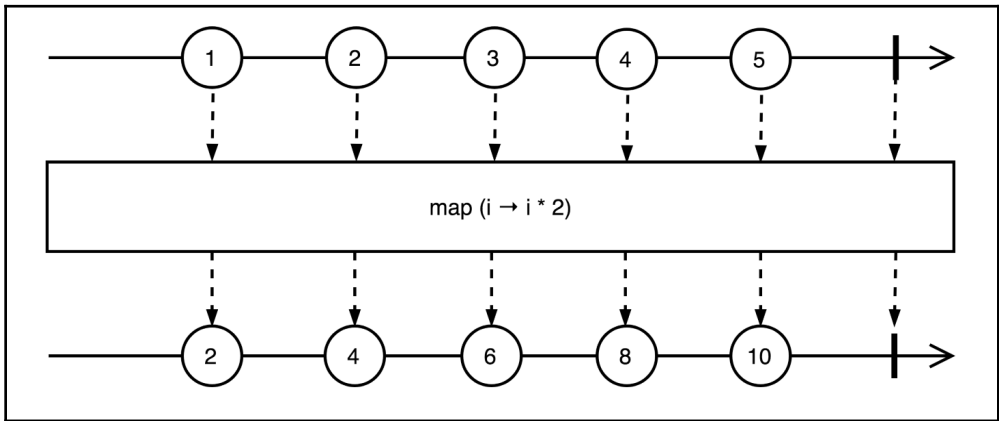
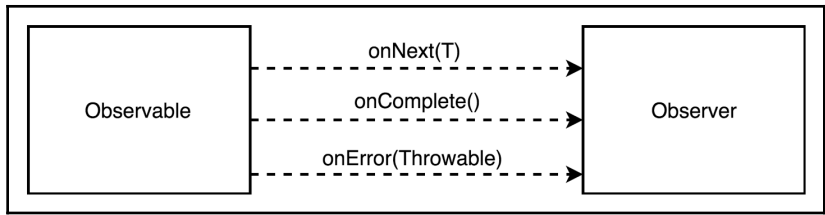
Dependencies

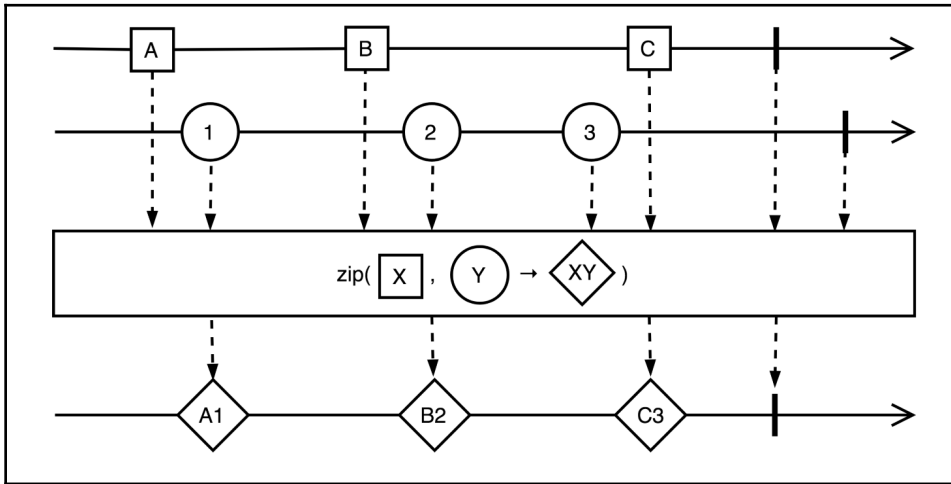
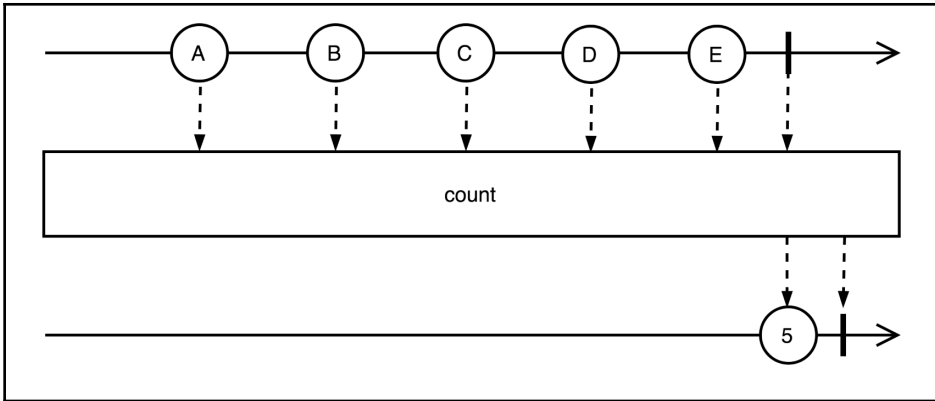
Add Spring Boot Starters and dependencies to your application

Search for dependencies

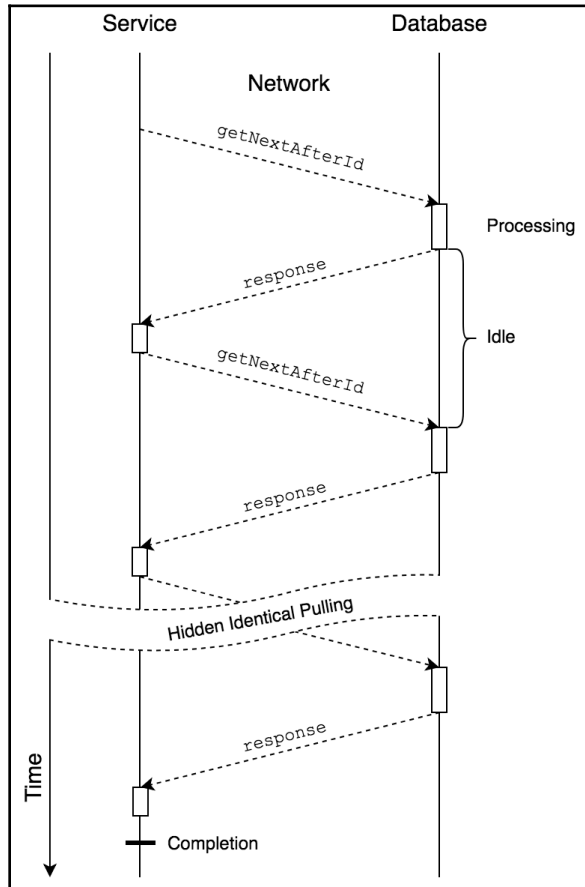
Selected Dependencies

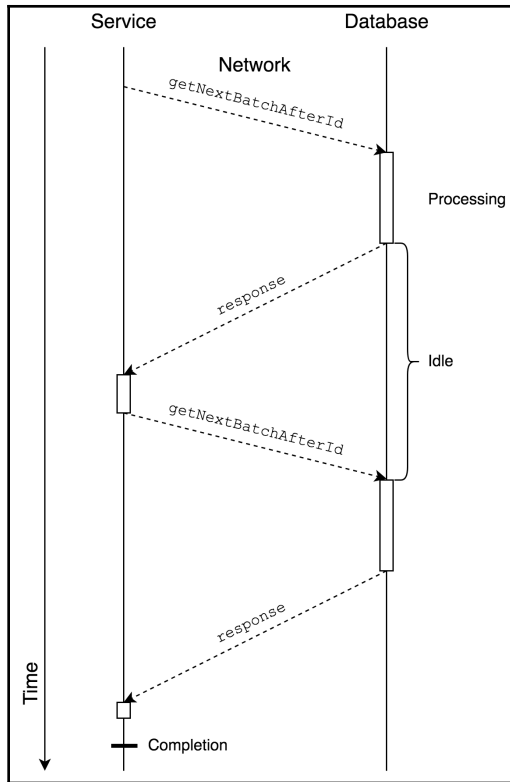


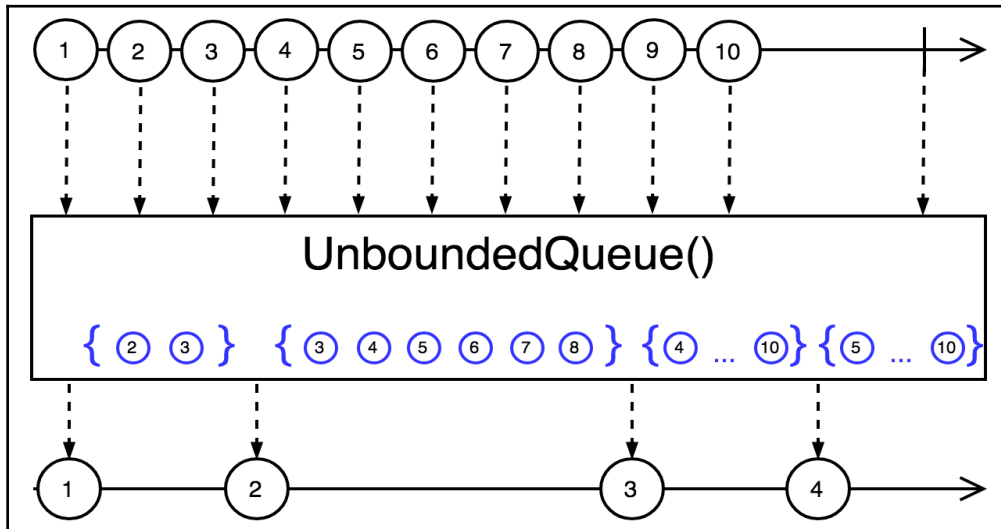
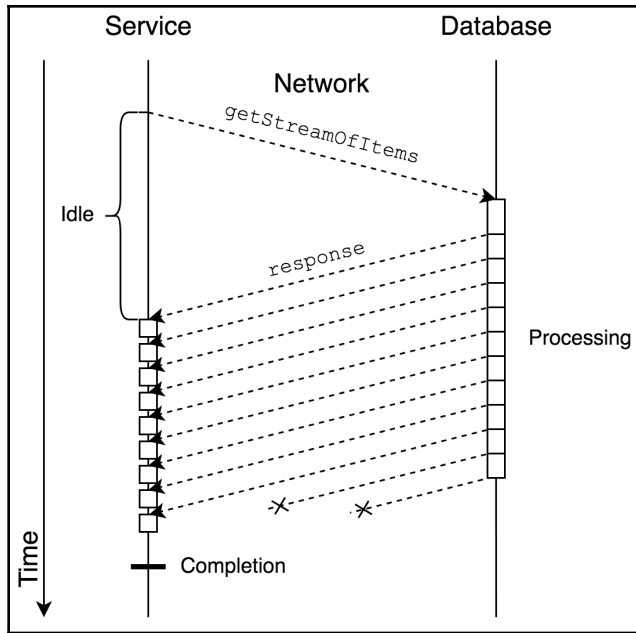


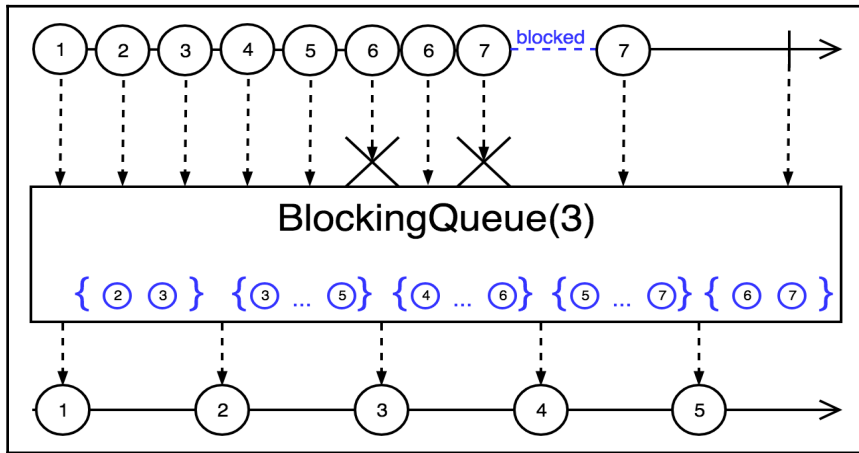
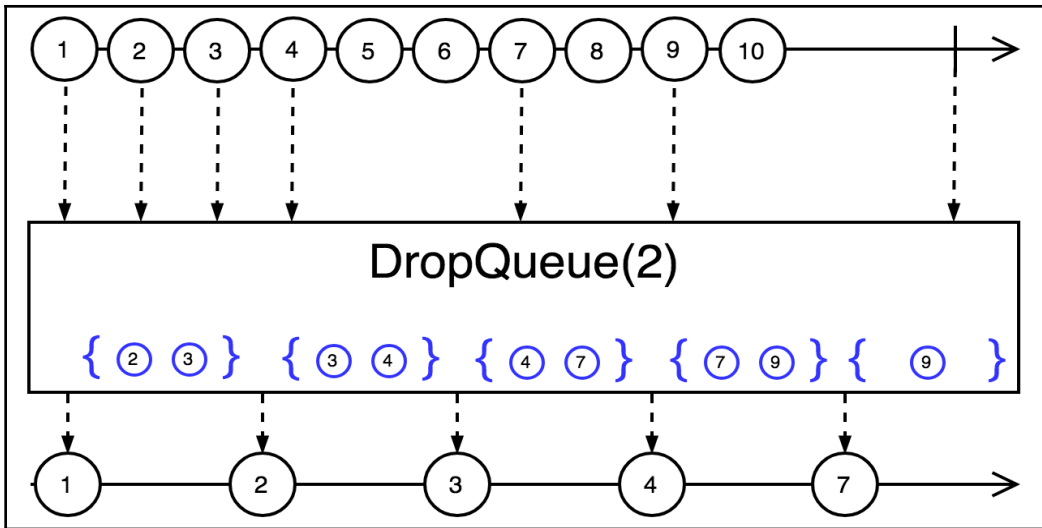


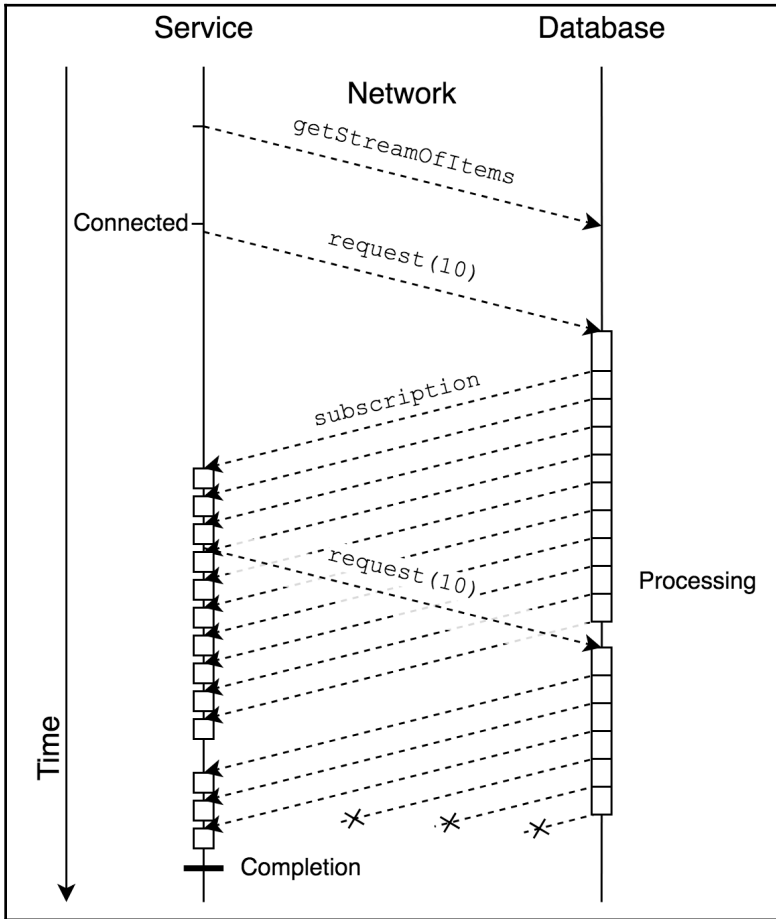
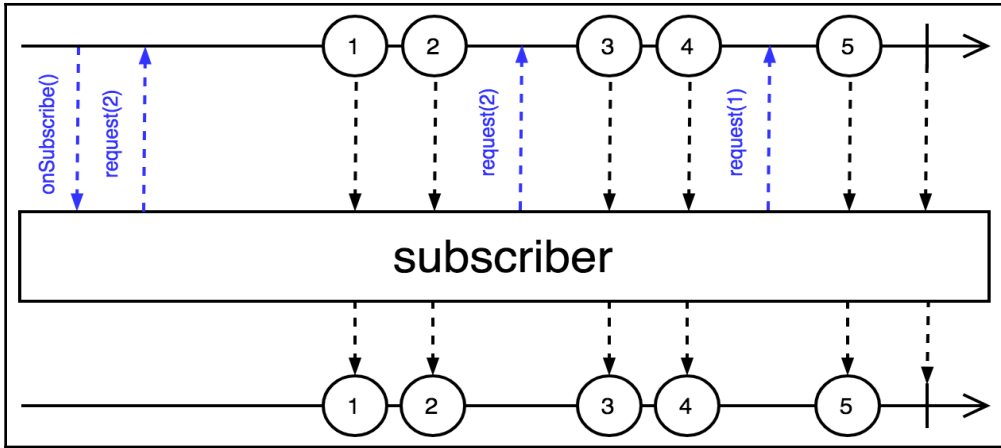
Chapter 3: Reactive Streams - the New Streams' Standard

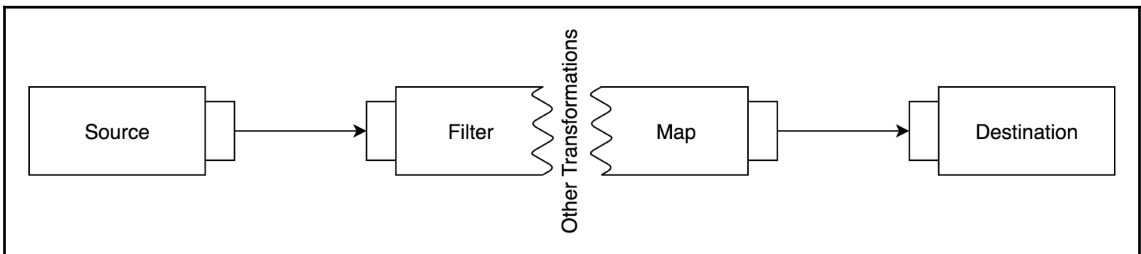
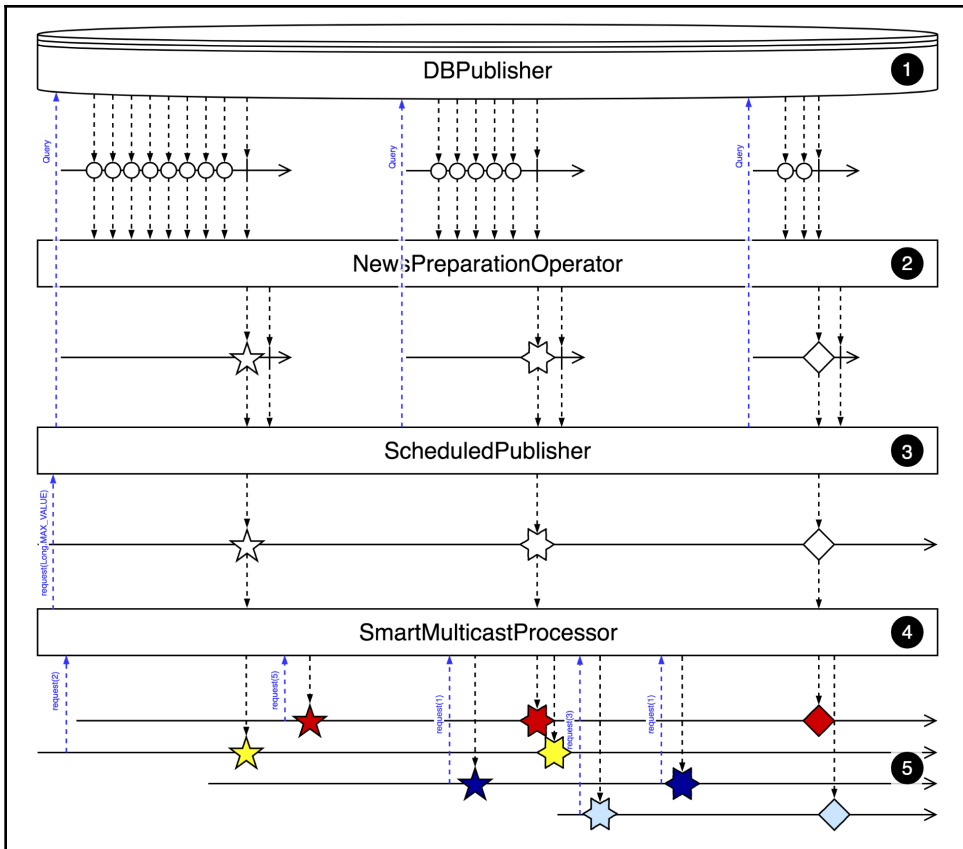


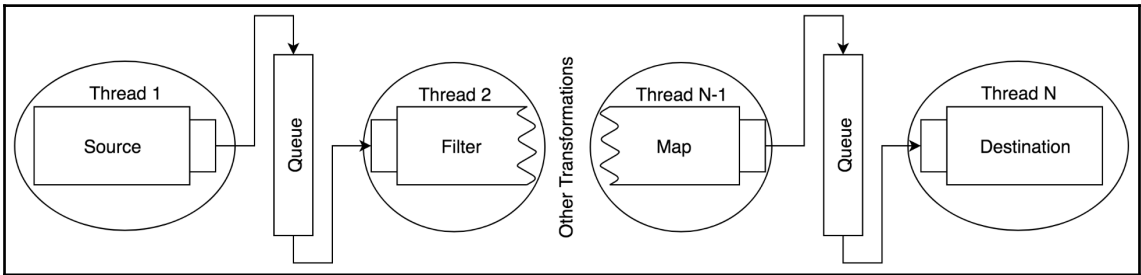
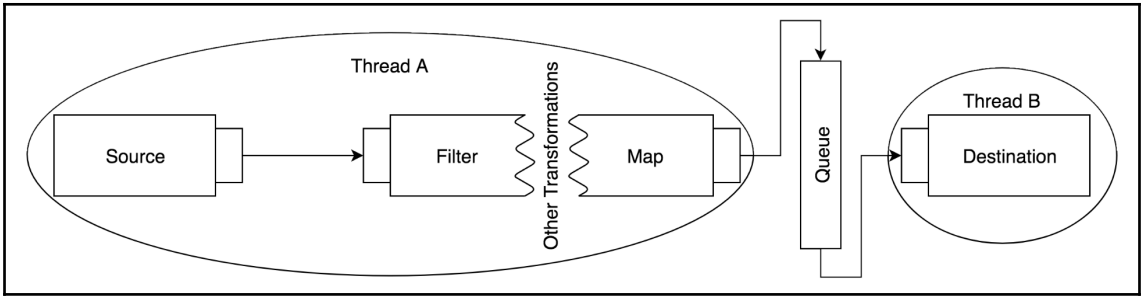


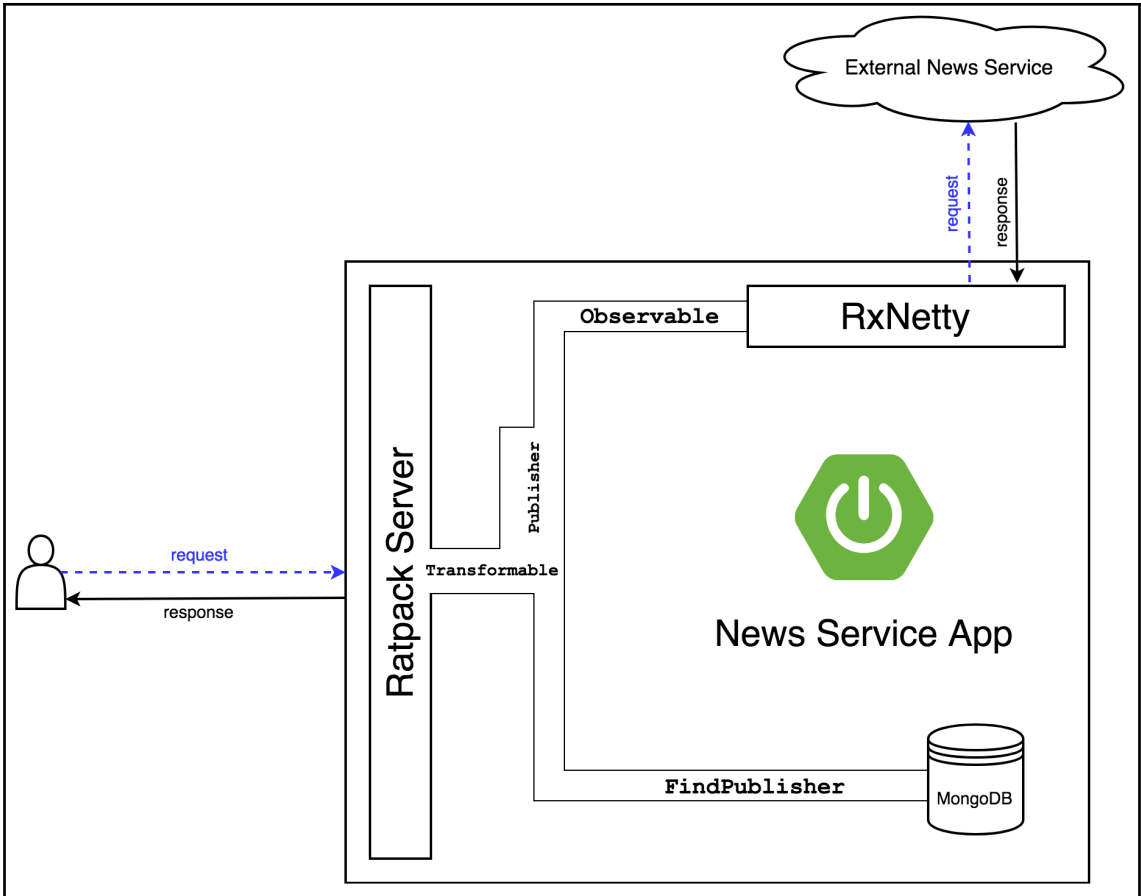




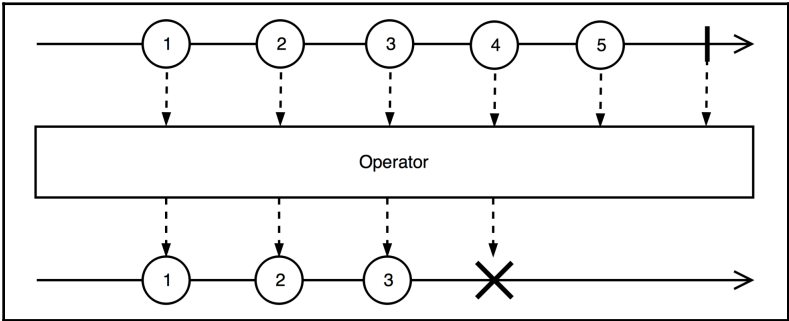
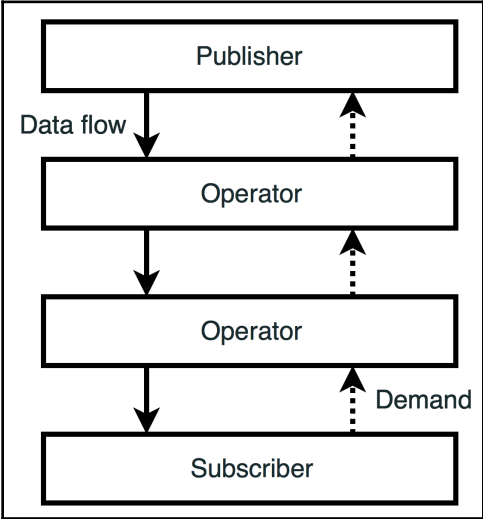


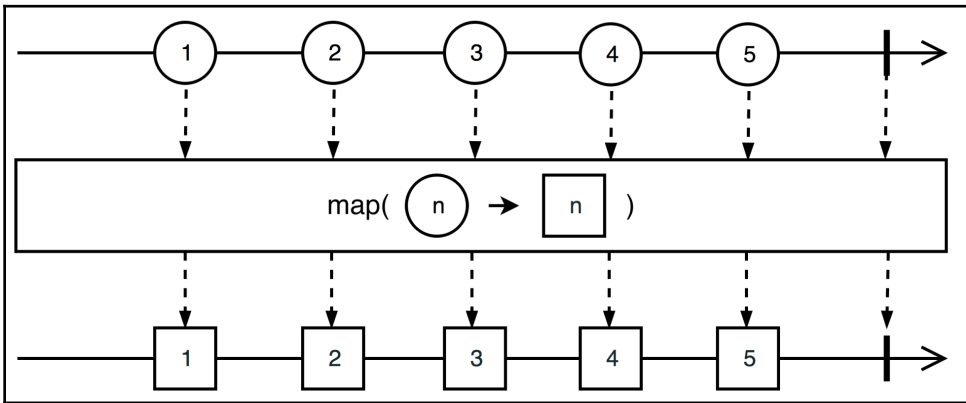
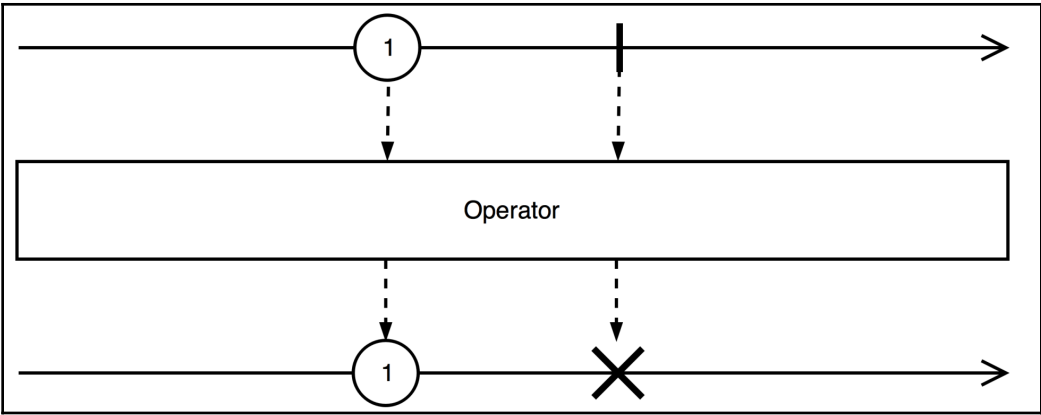


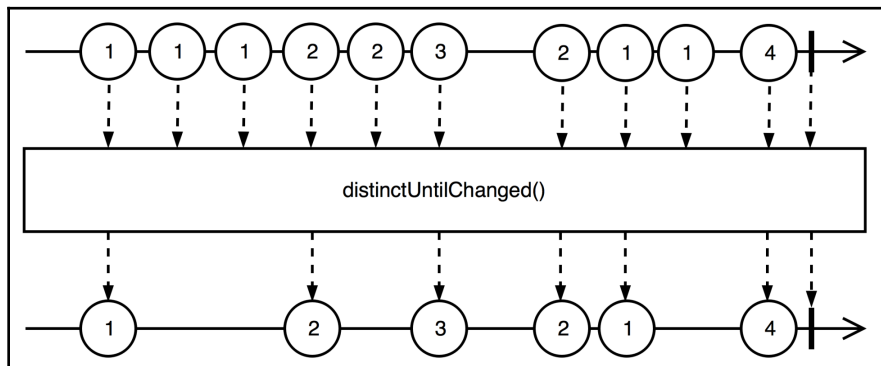
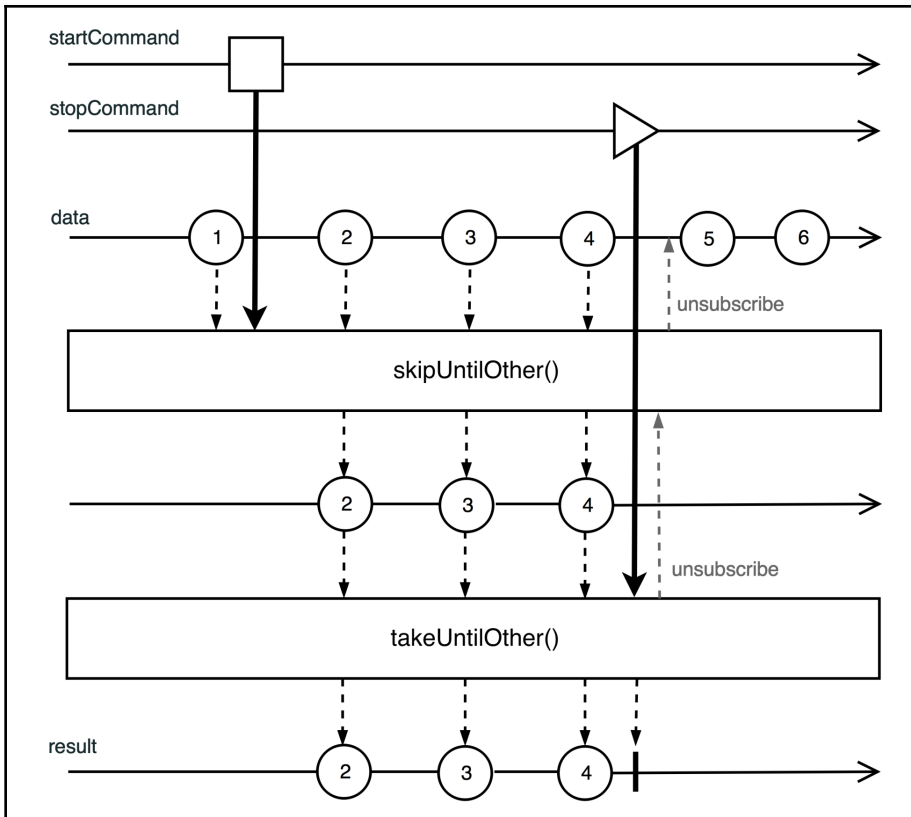


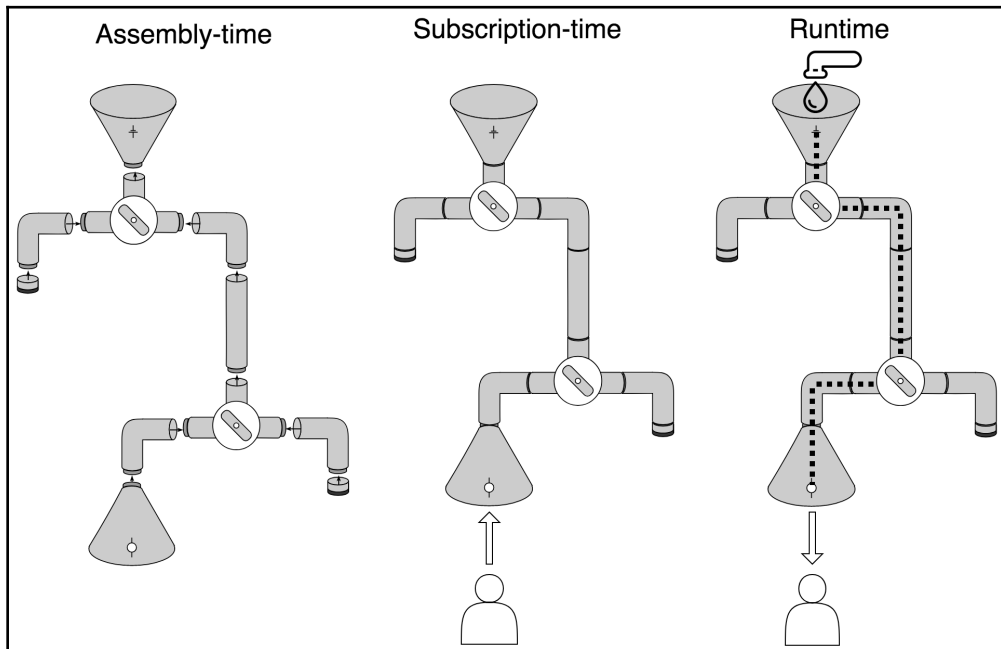
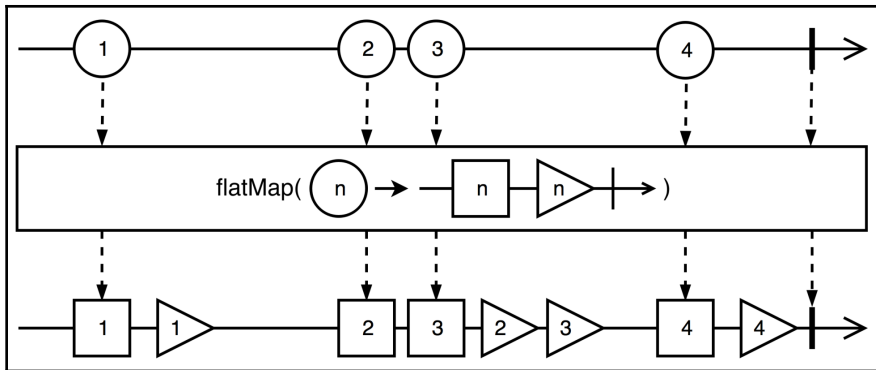


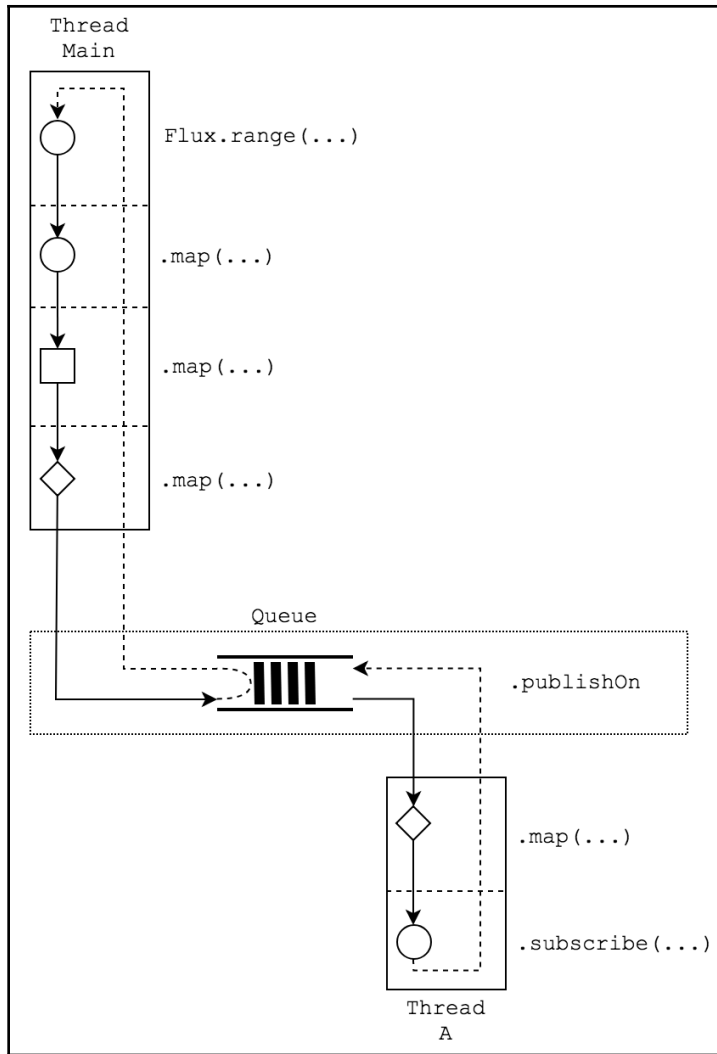
Chapter 4: Project Reactor - the Foundation for Reactive Apps

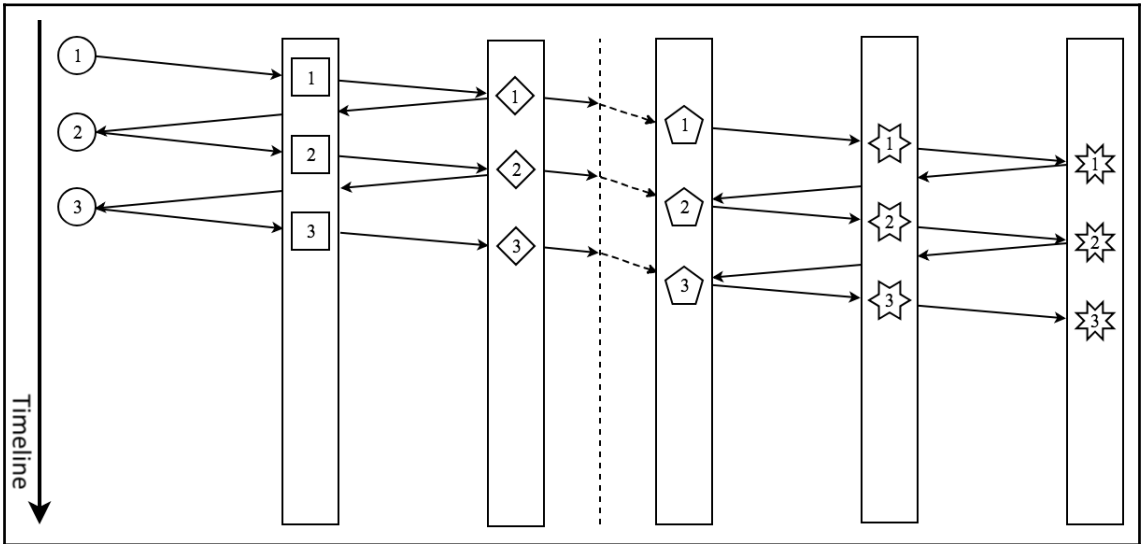
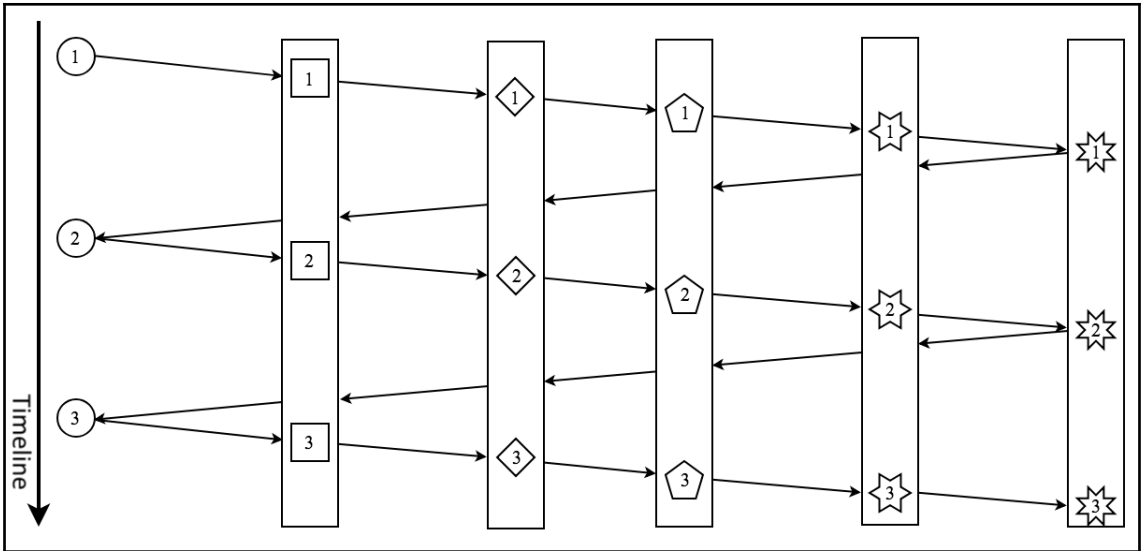


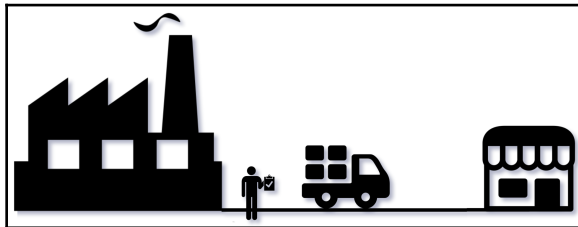
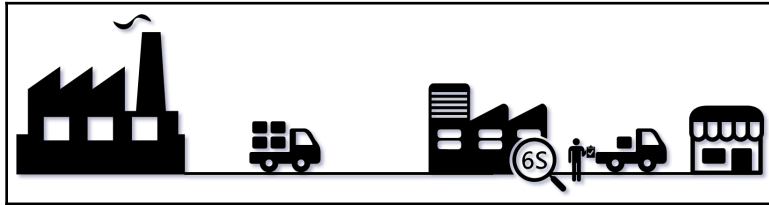
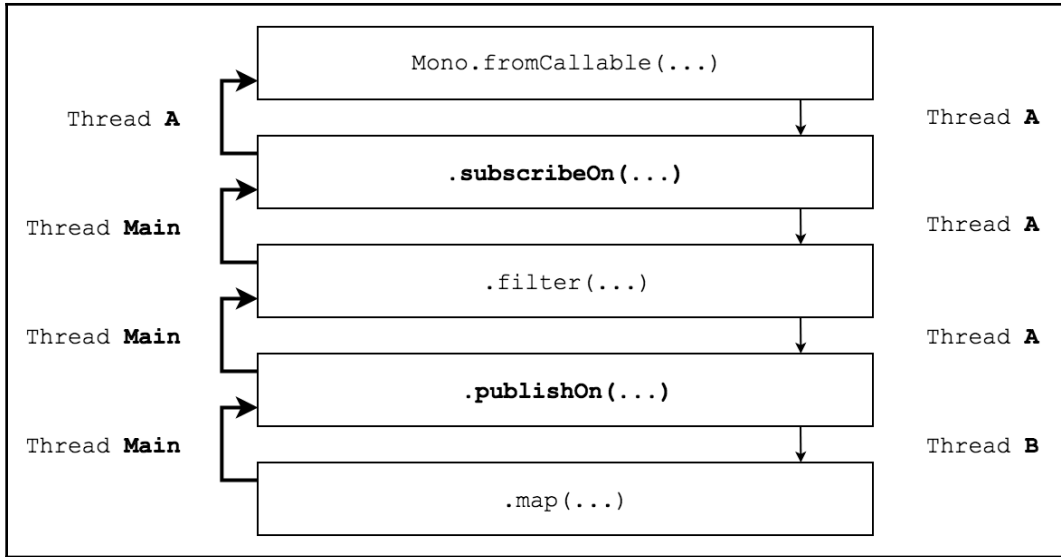


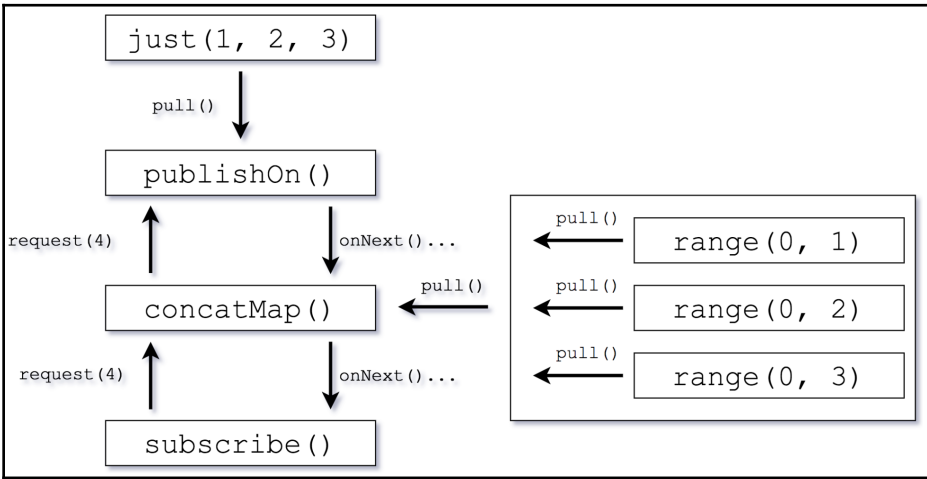
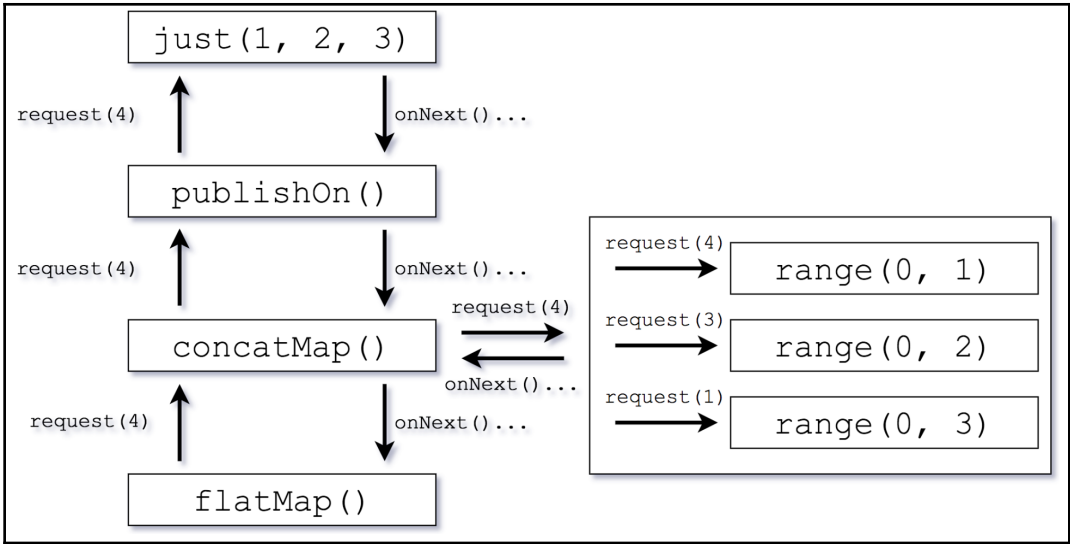




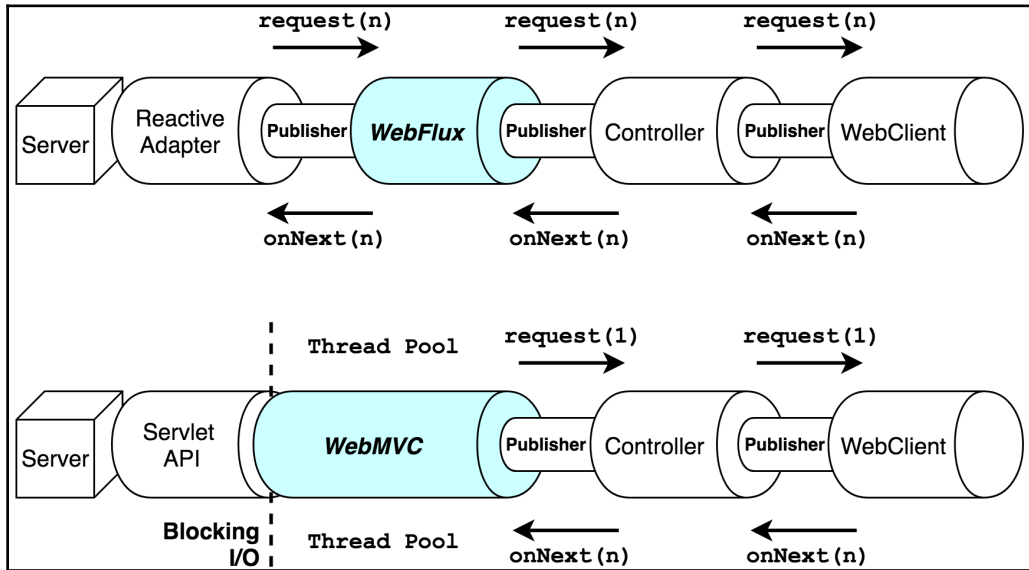




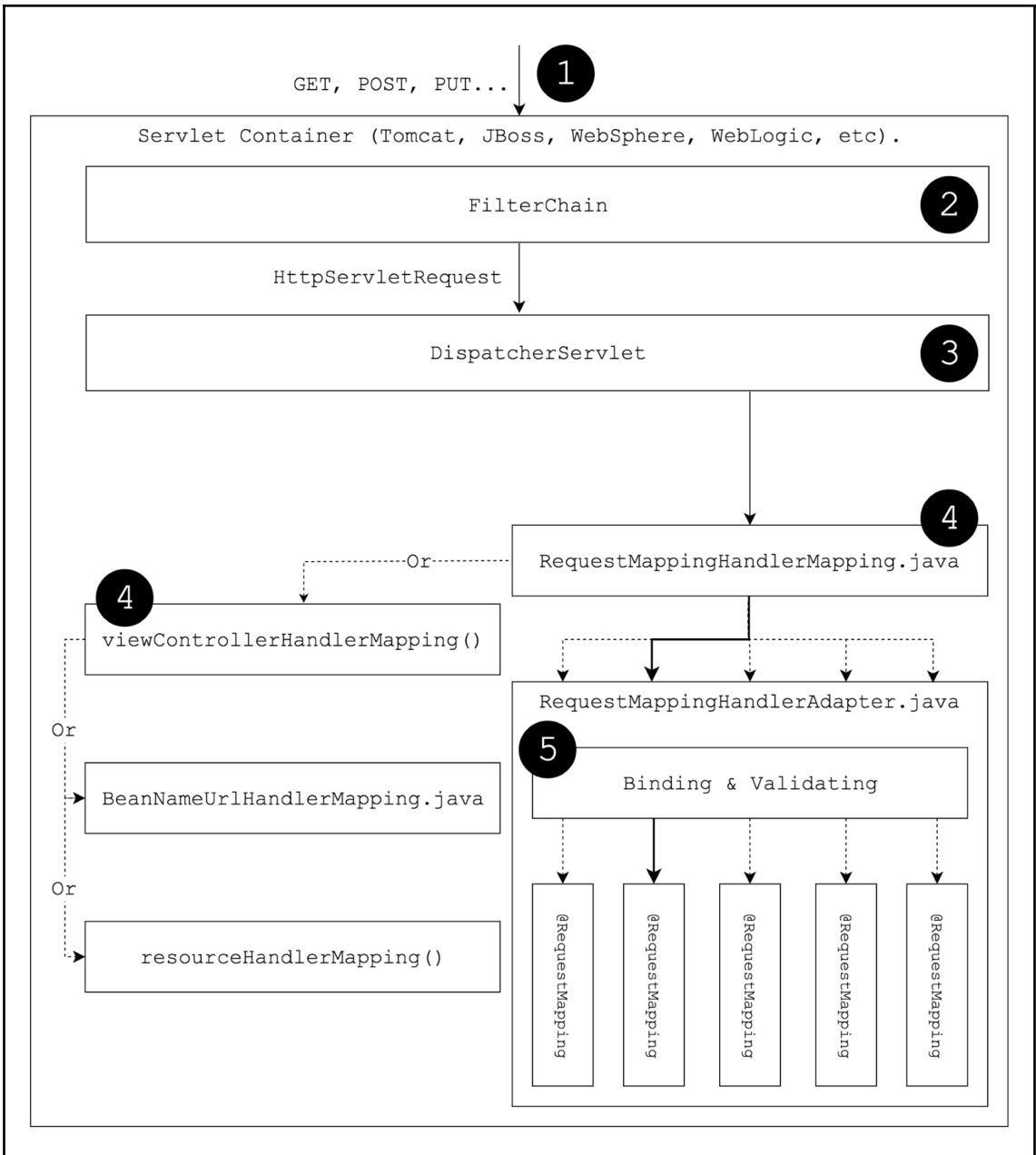


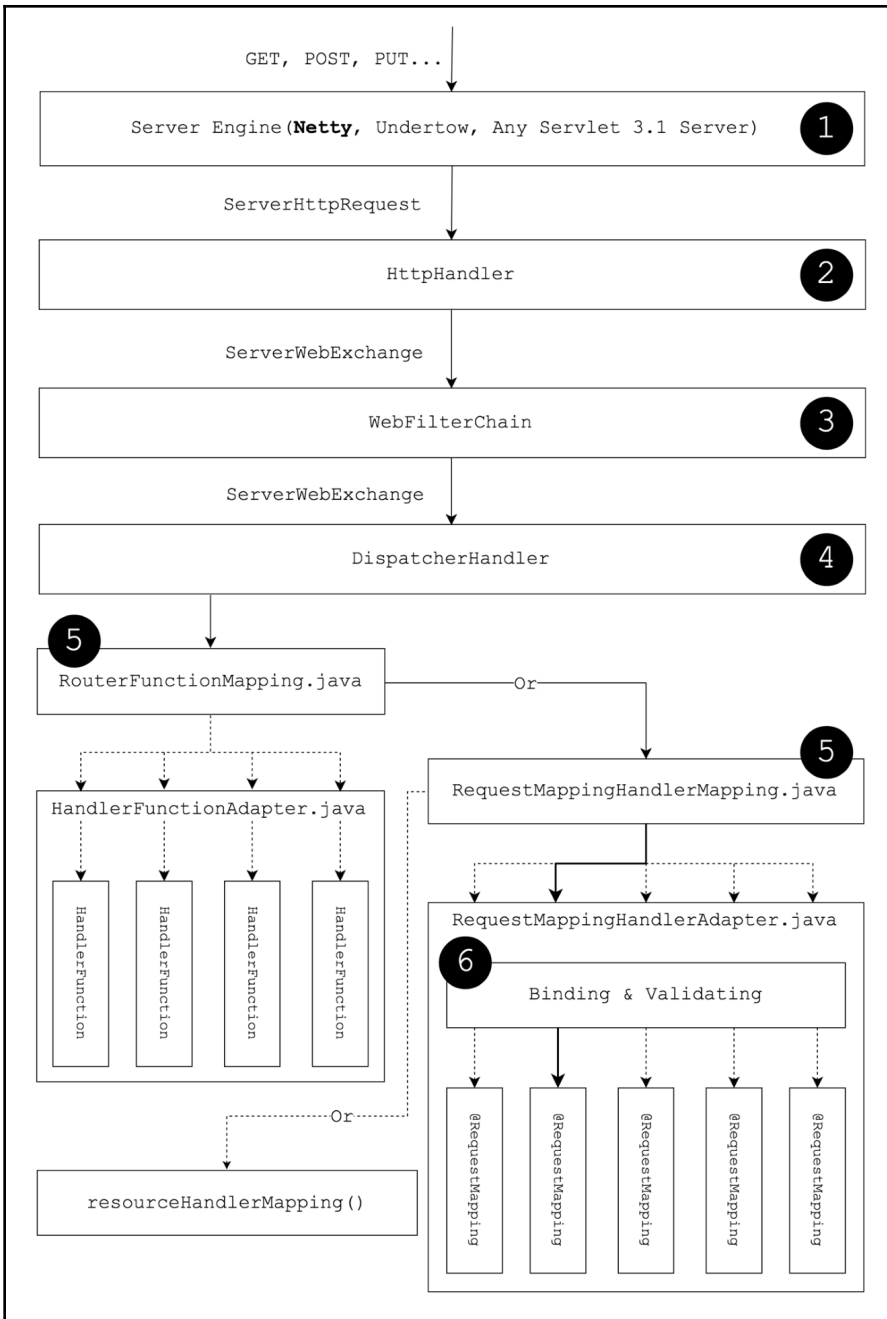


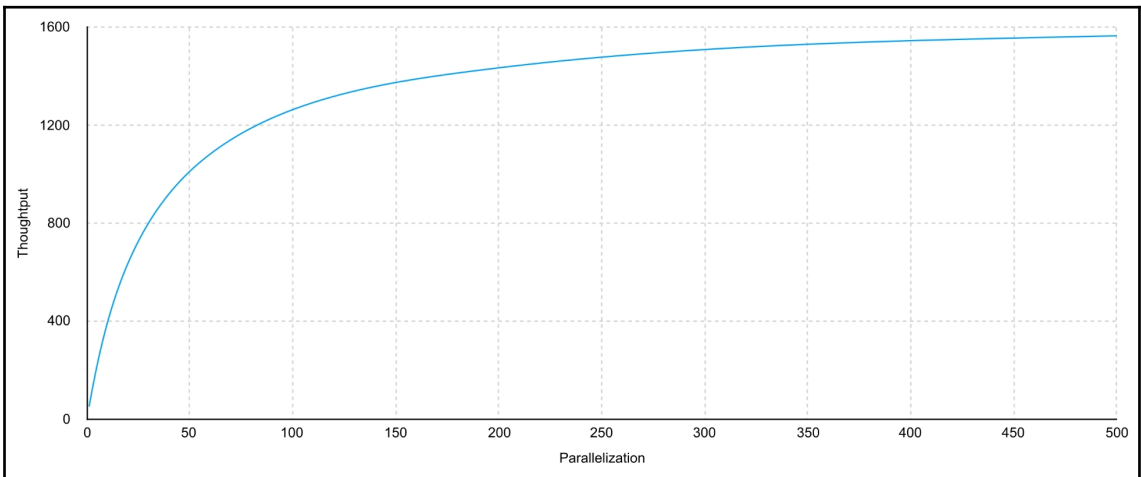
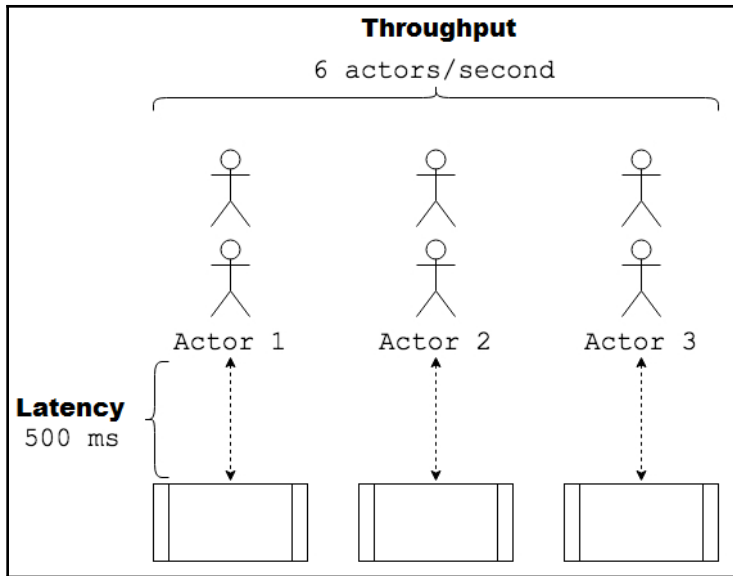
Chapter 5: Going Reactive with Spring Boot 2

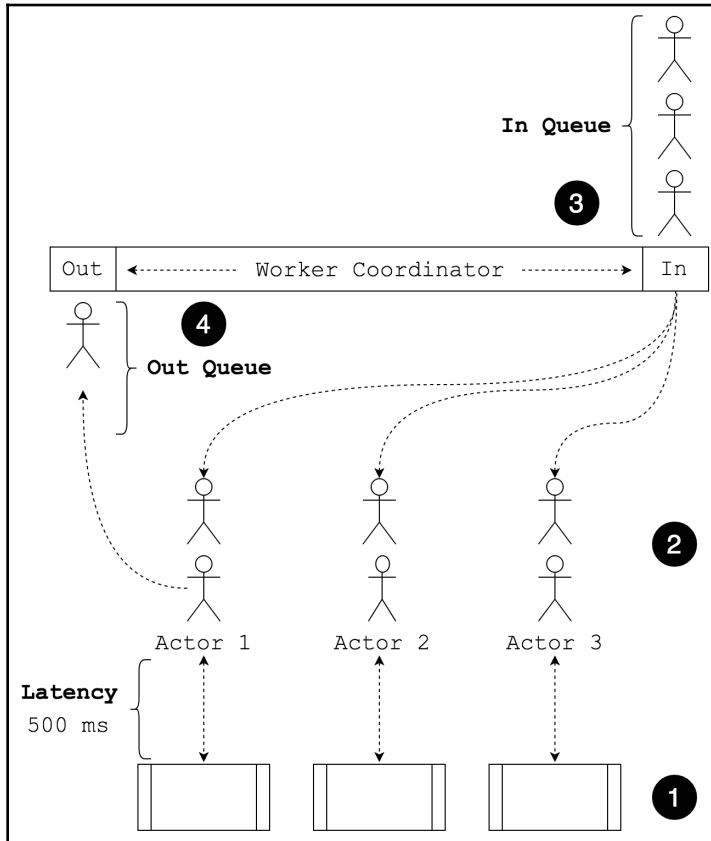
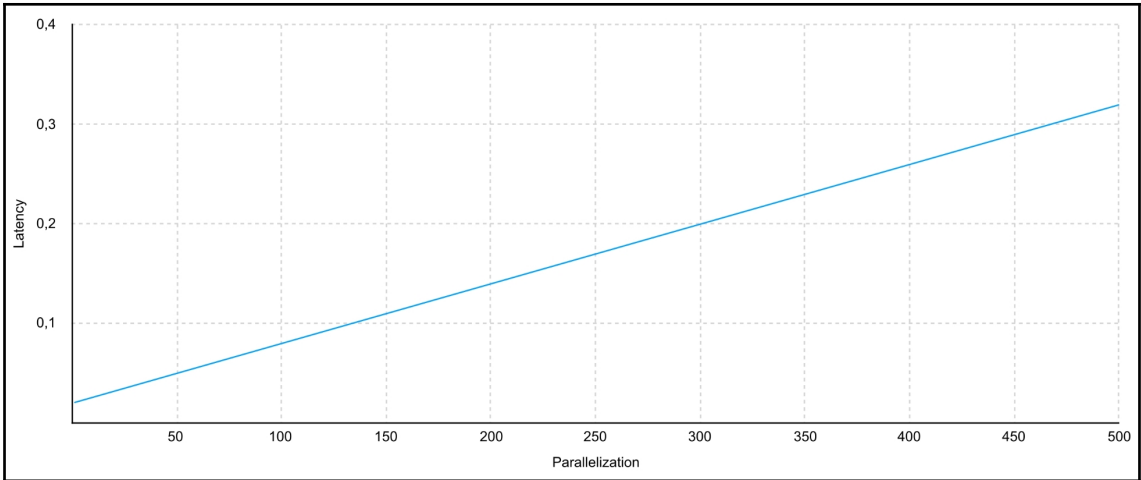


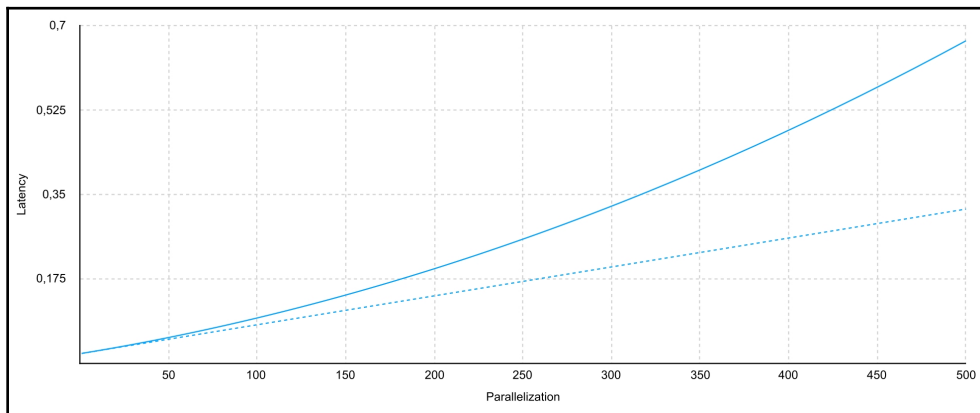
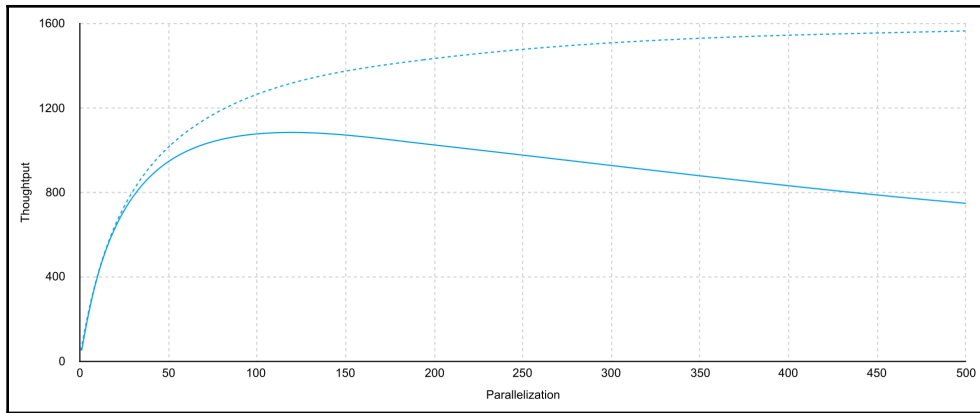
Chapter 6: WebFlux Async Non-Blocking Communication

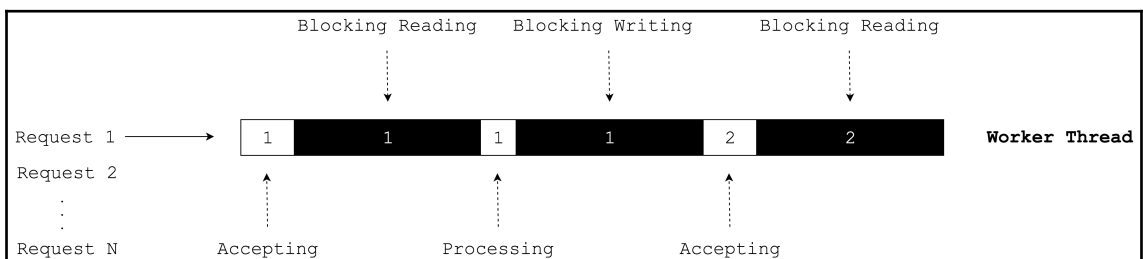
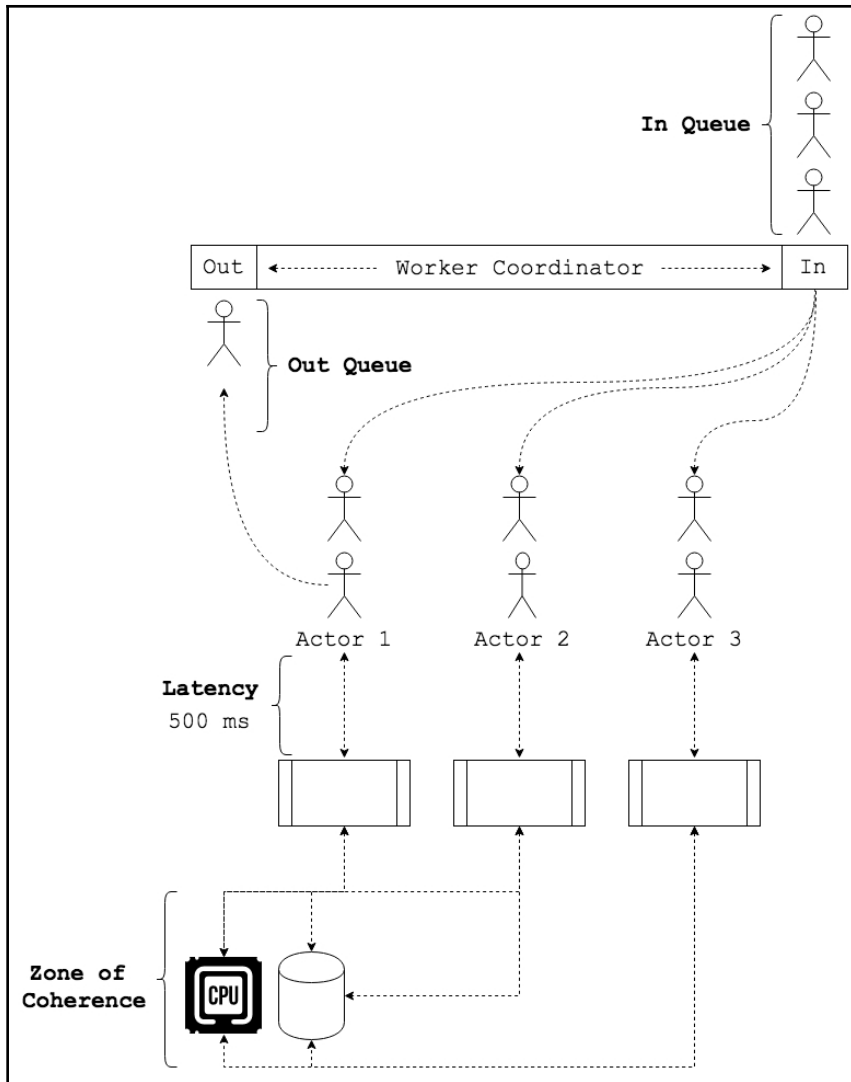


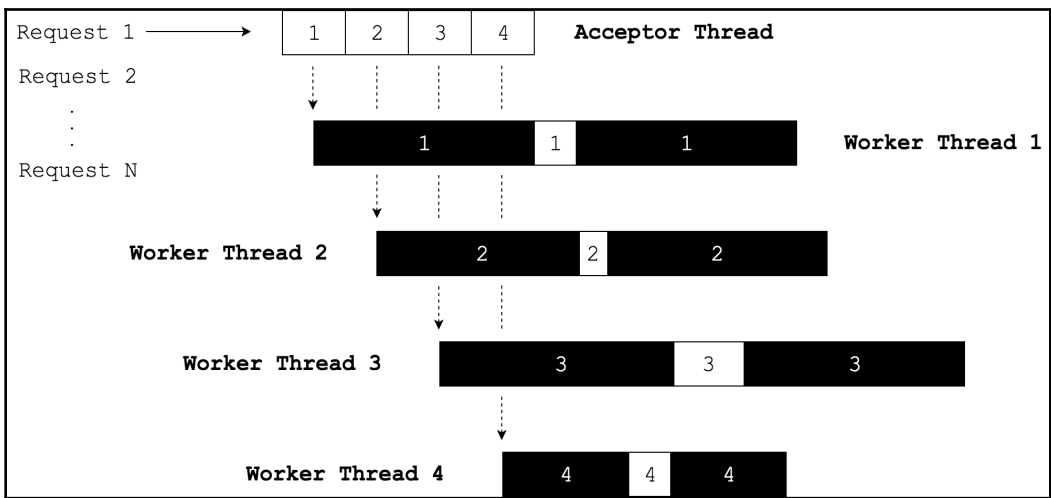
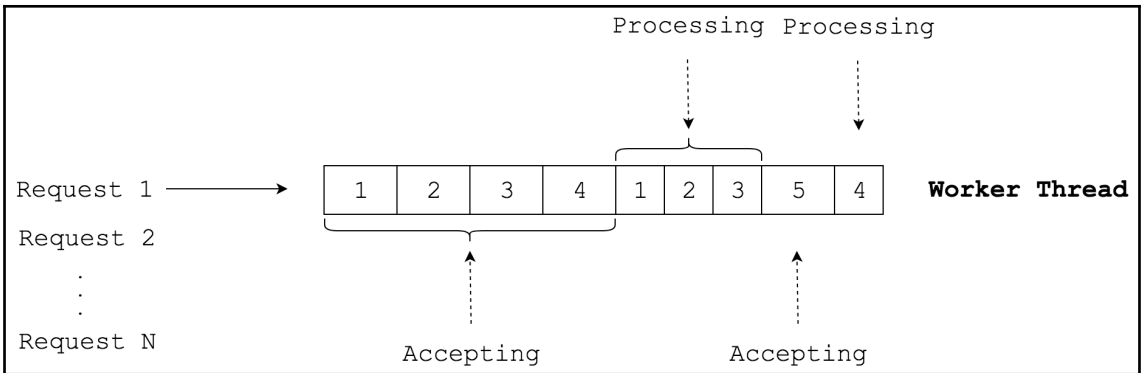


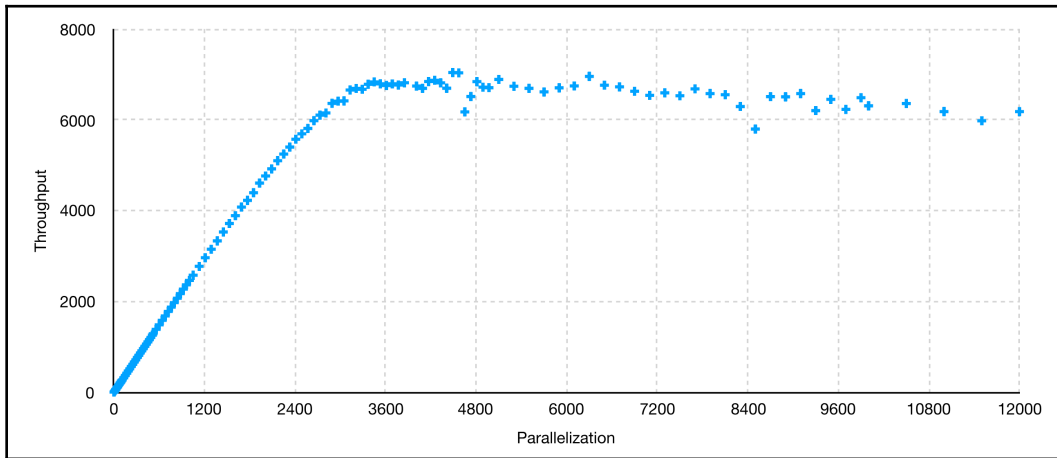
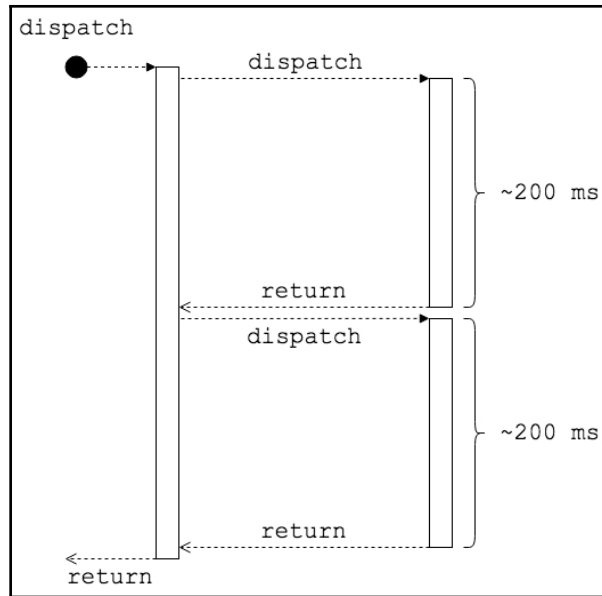


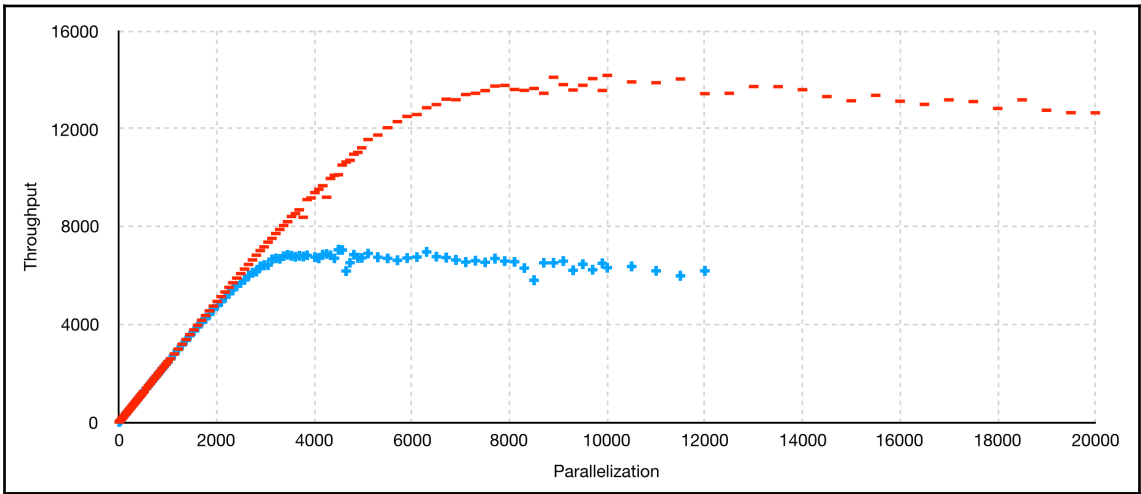
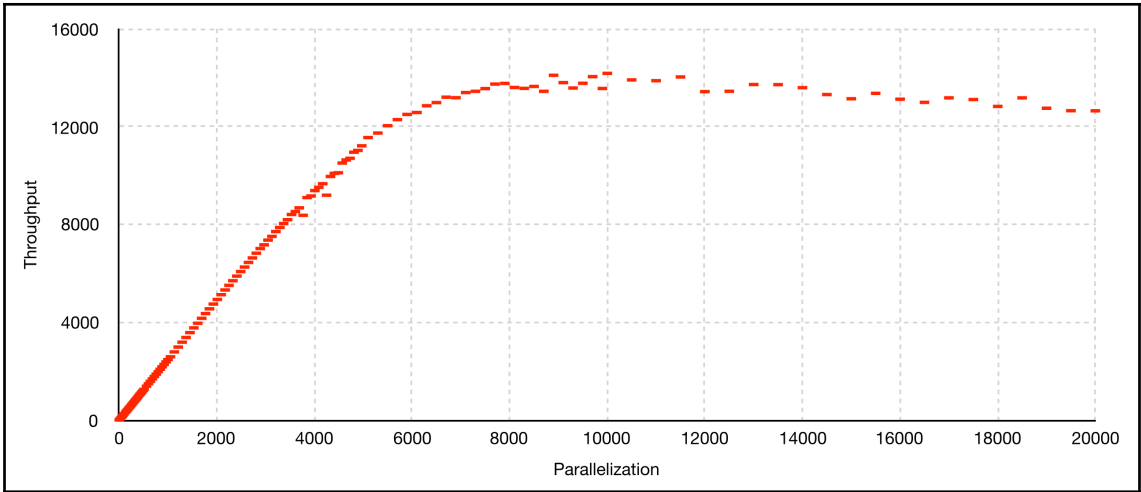


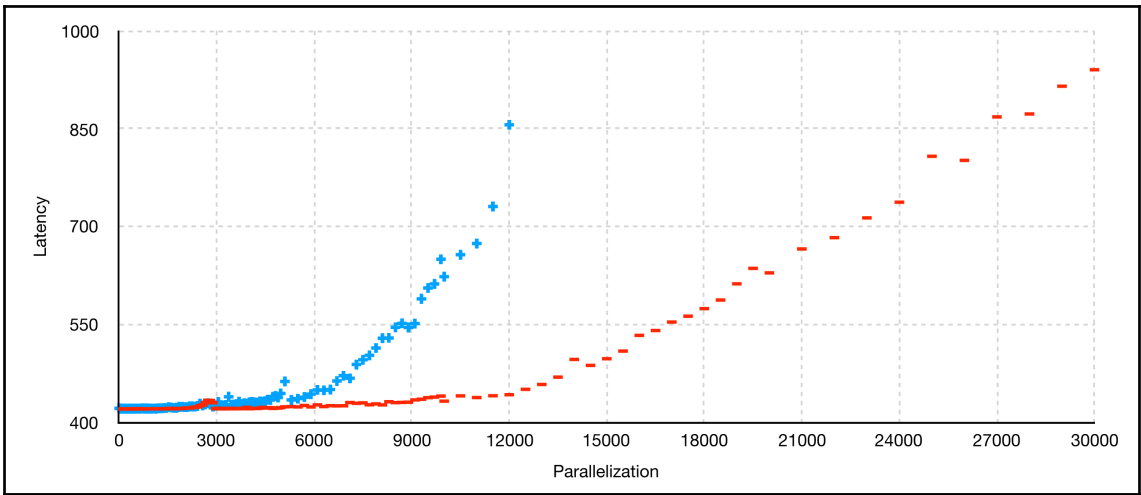
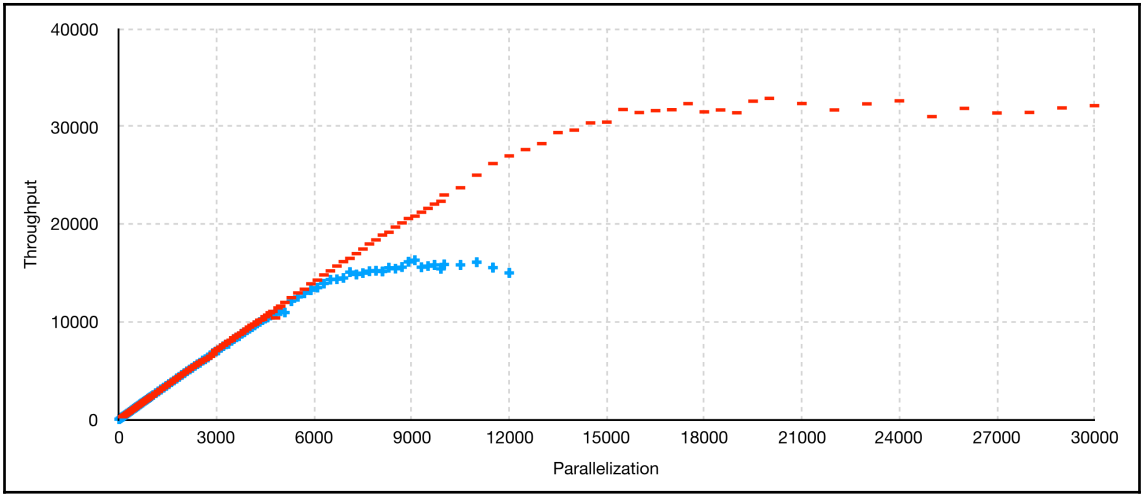


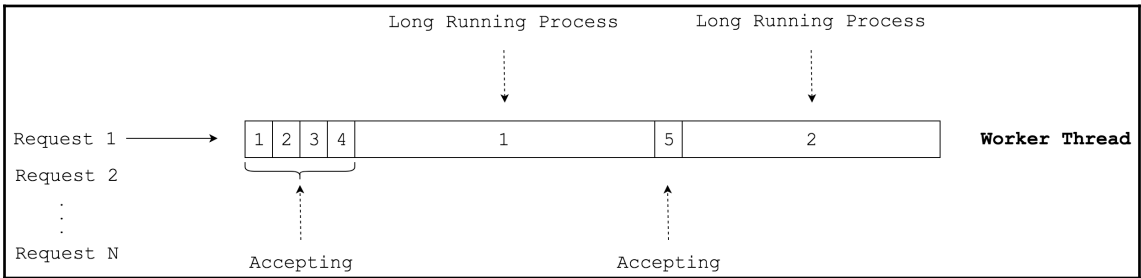
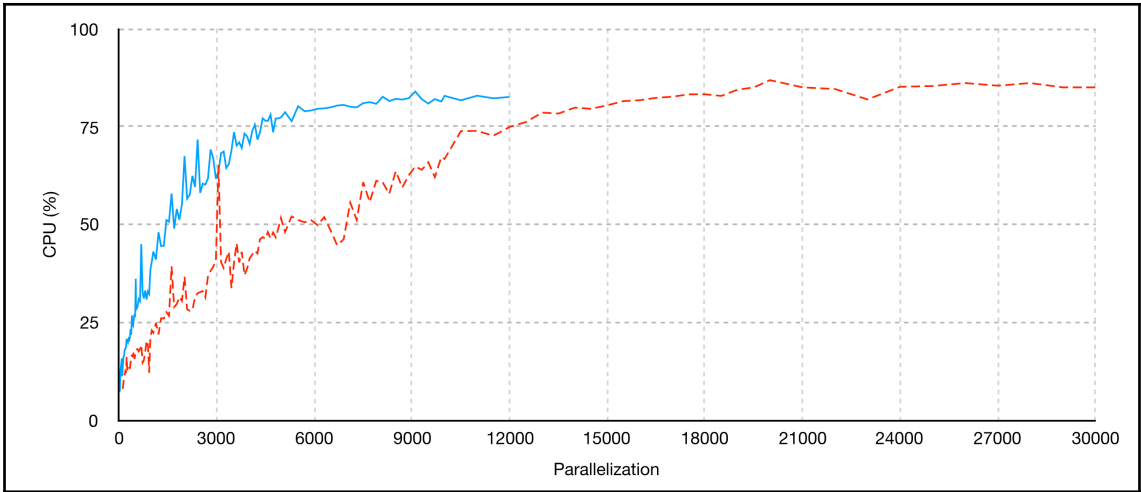


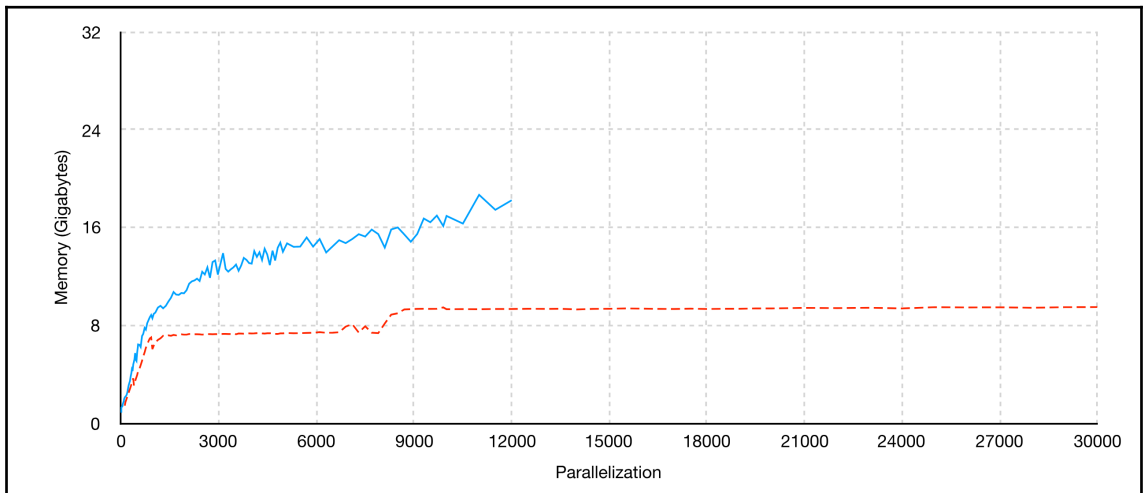
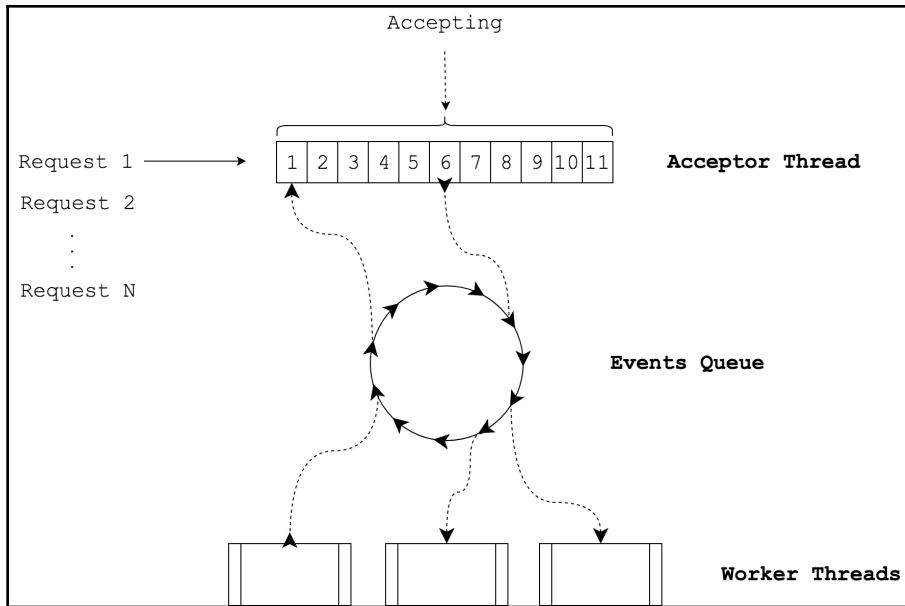


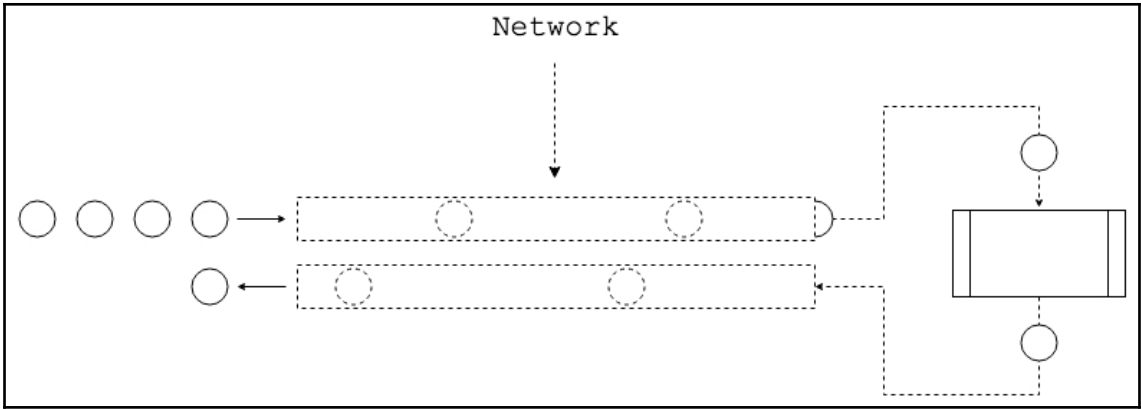




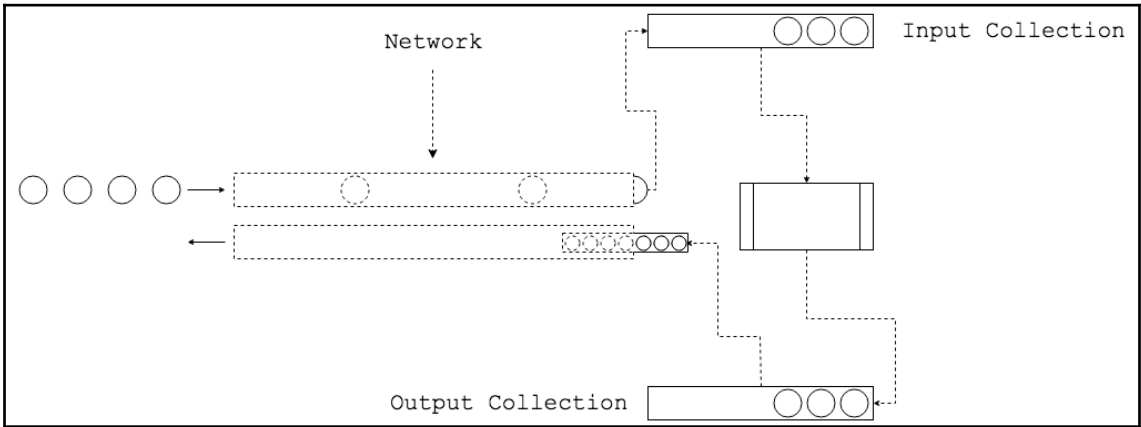




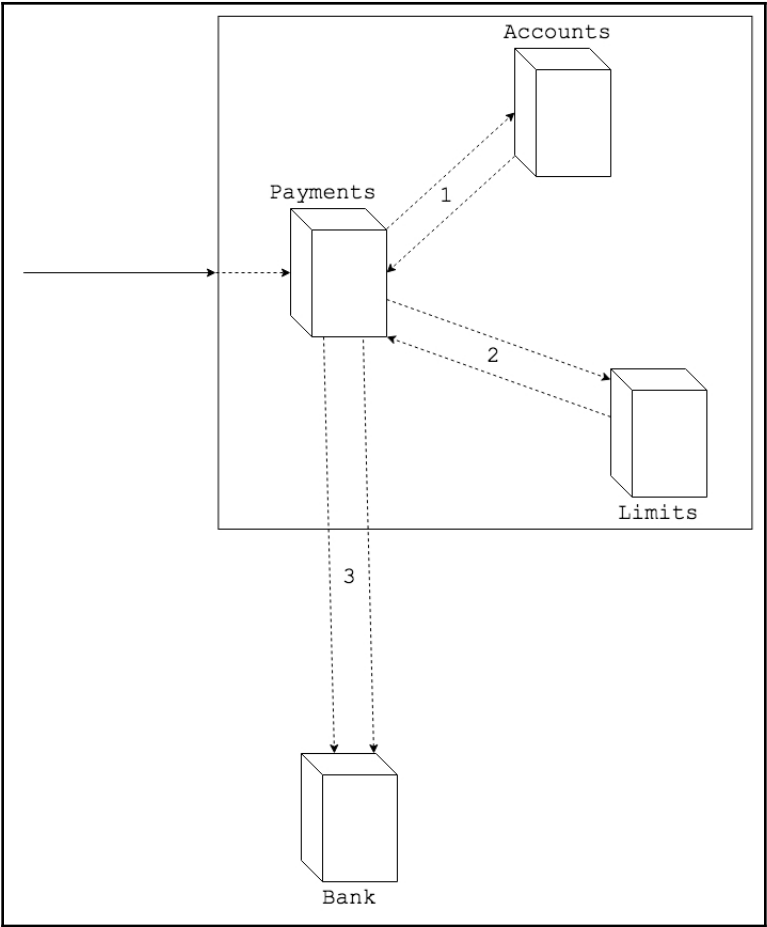


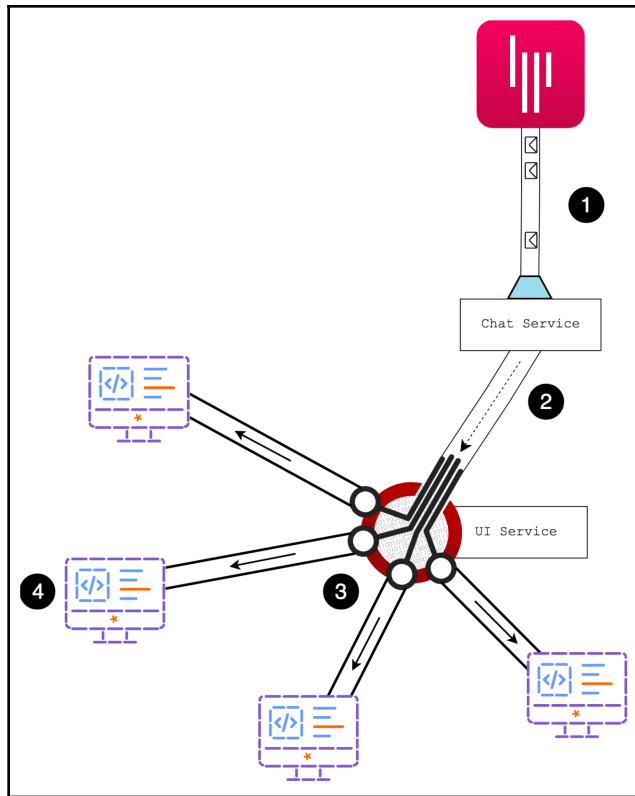


$$R = R_{net} + R_{processing} + R_{net}$$

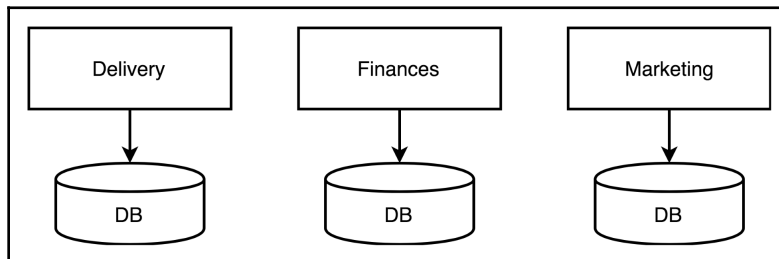
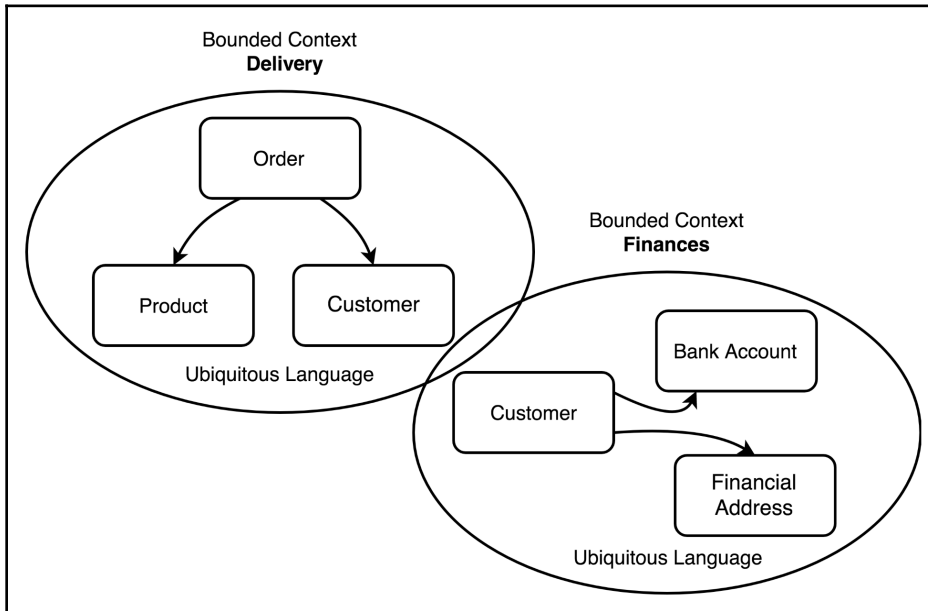


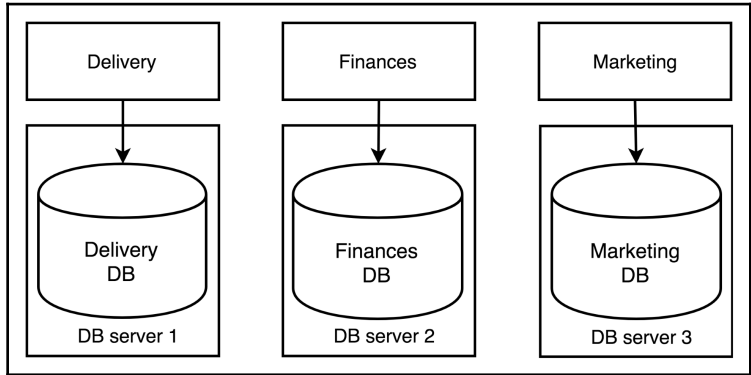
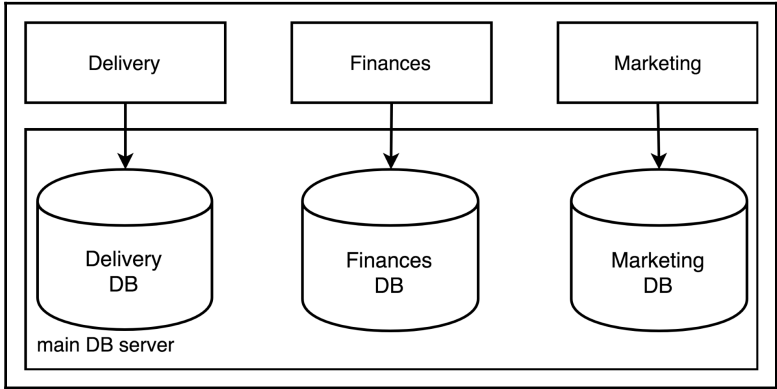
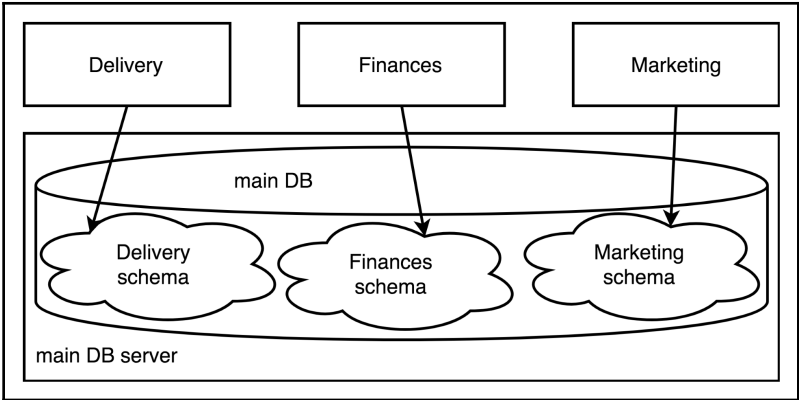
$$R = N \times (R_{net} + R_{processing}) + R_{net}$$

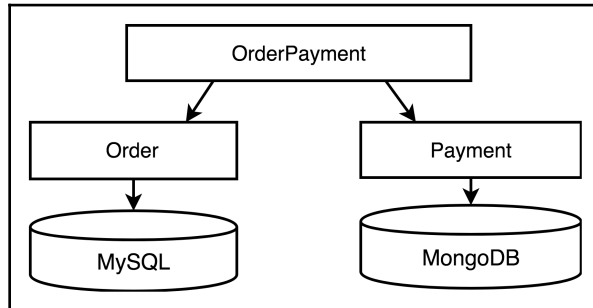
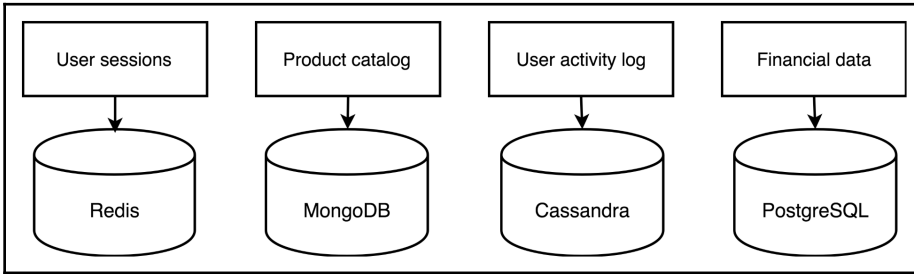
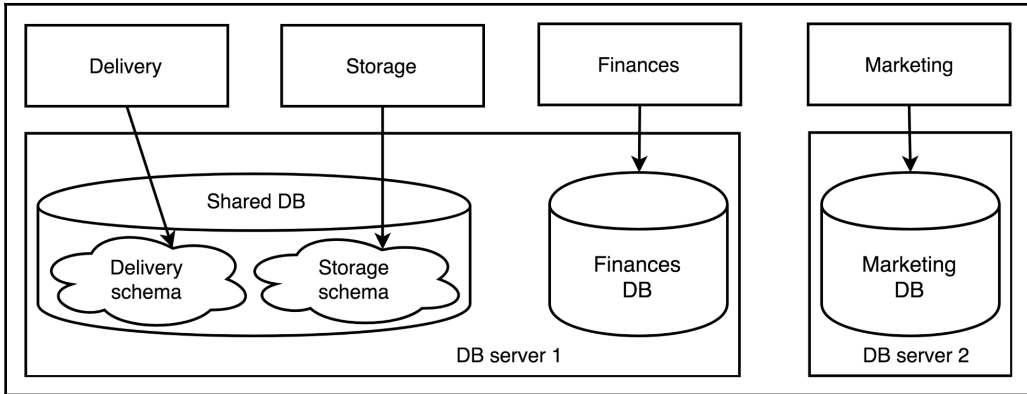


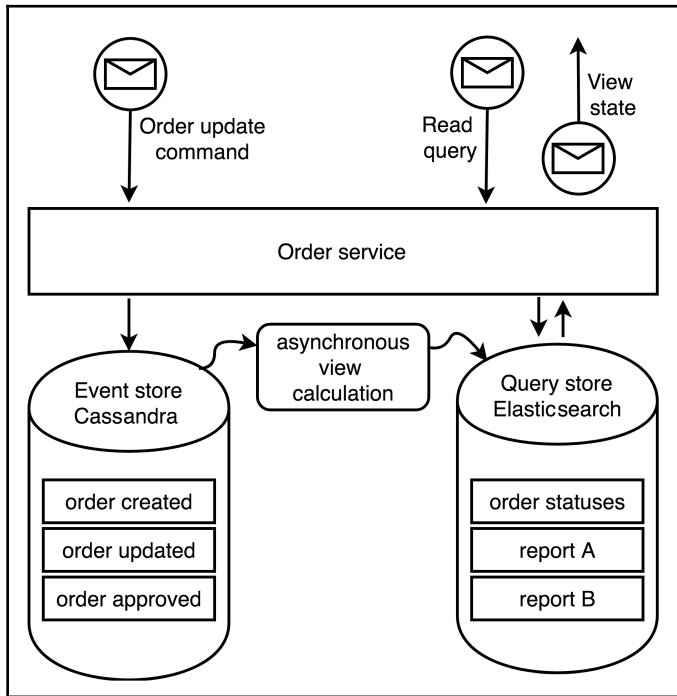
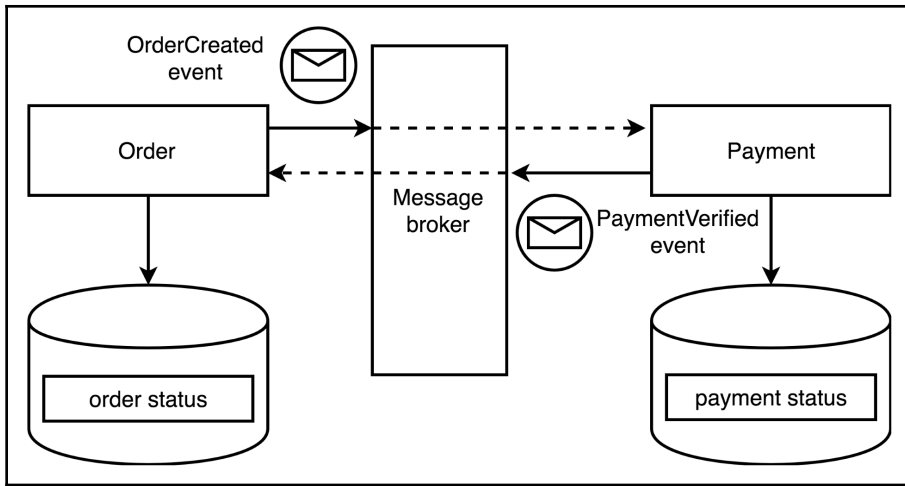


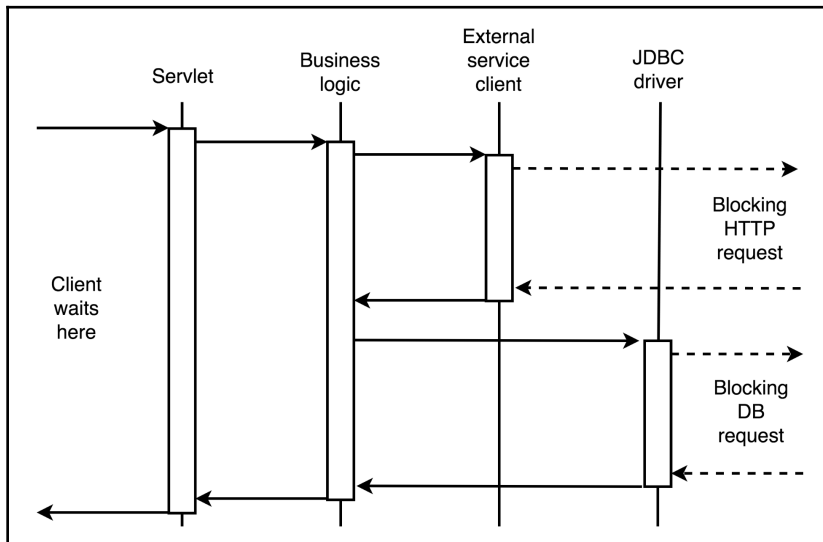
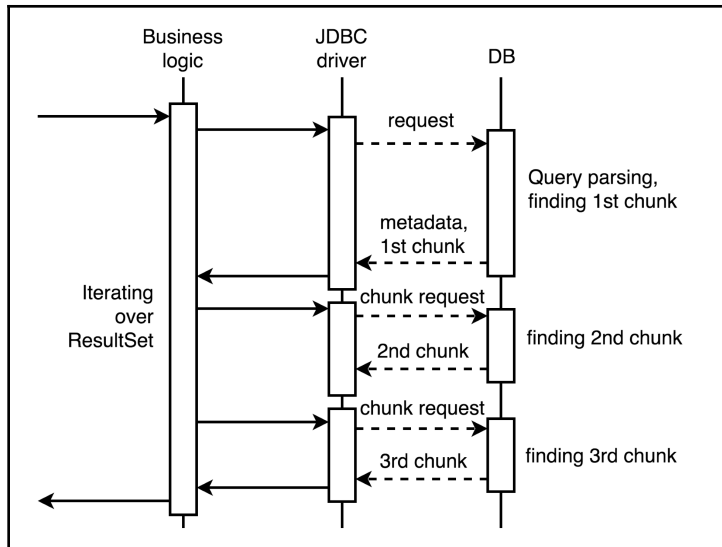
Chapter 7: Reactive Database Access

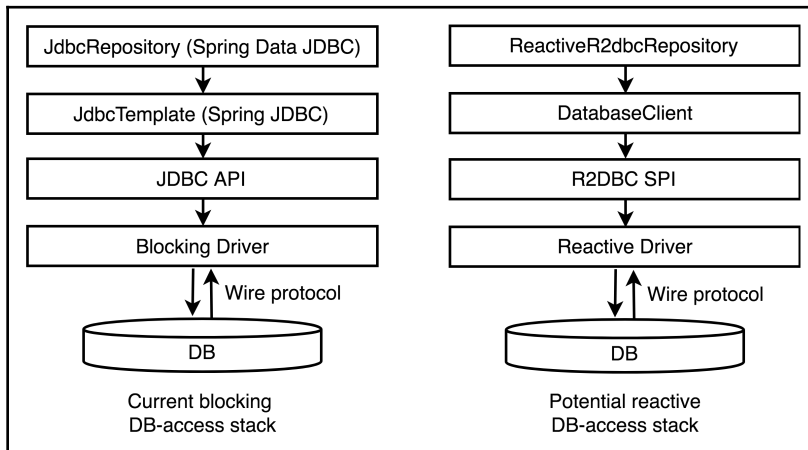
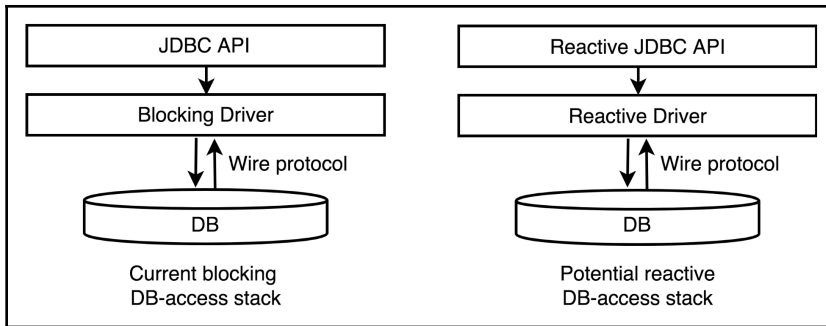


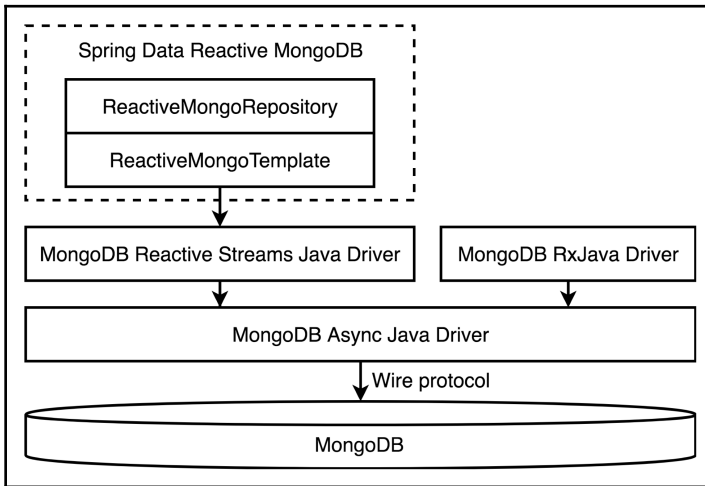
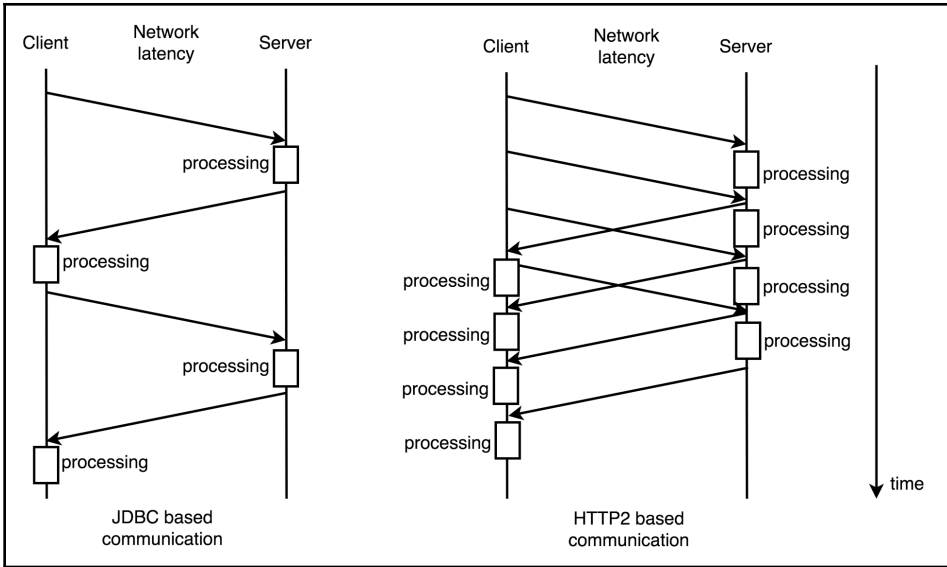


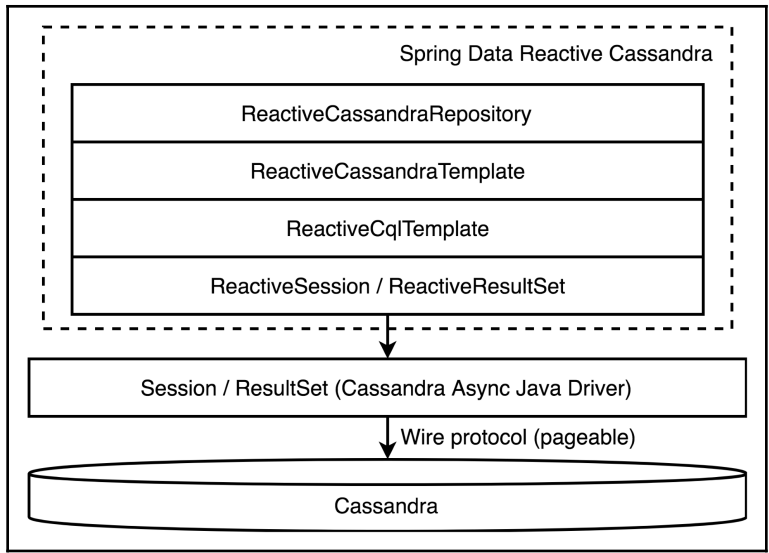


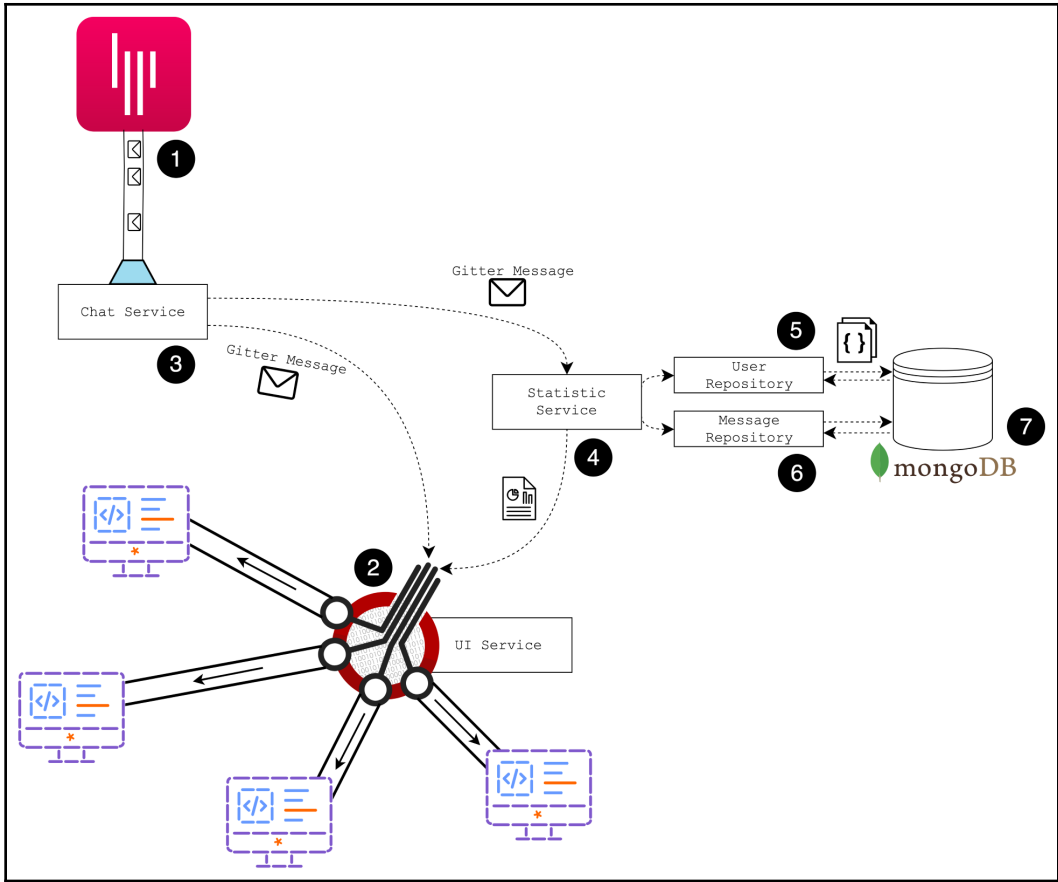




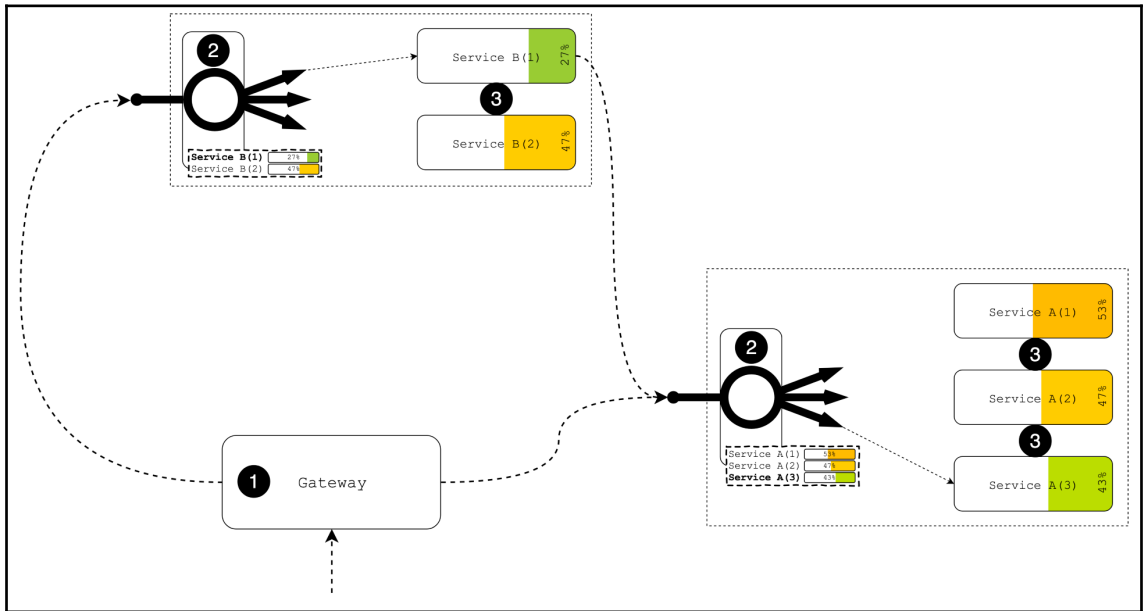


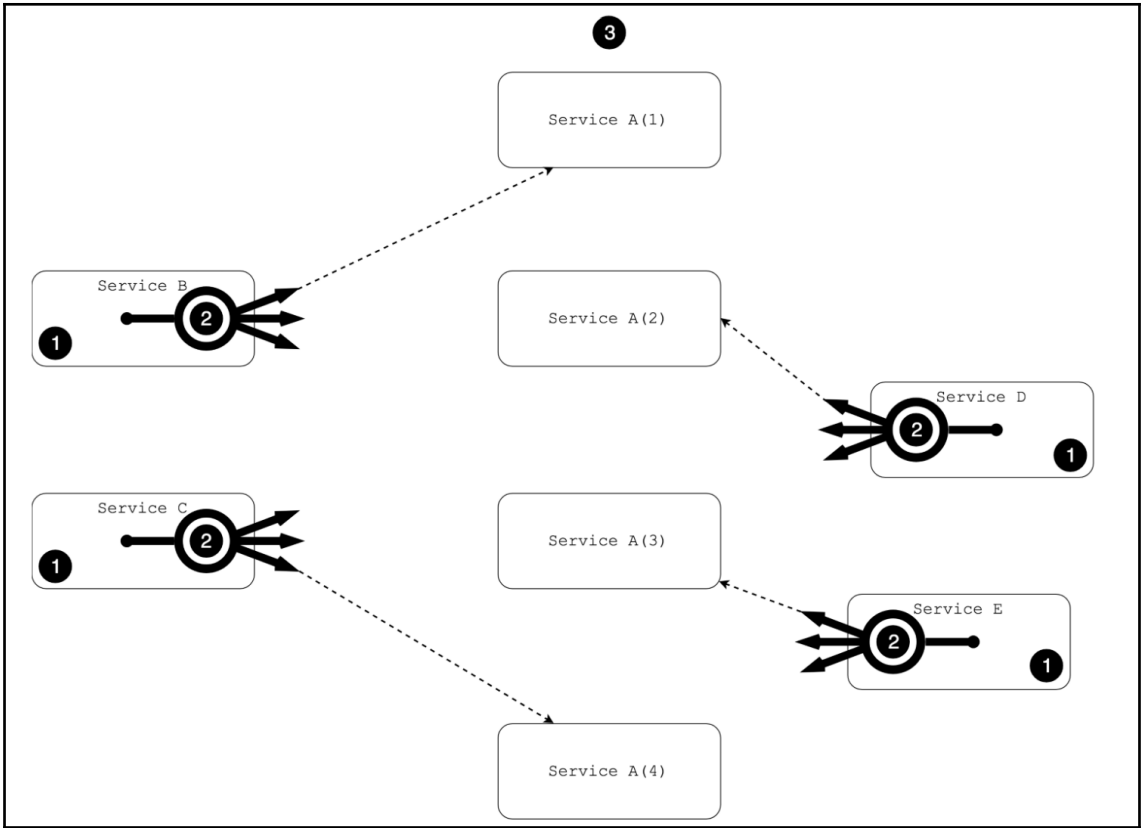


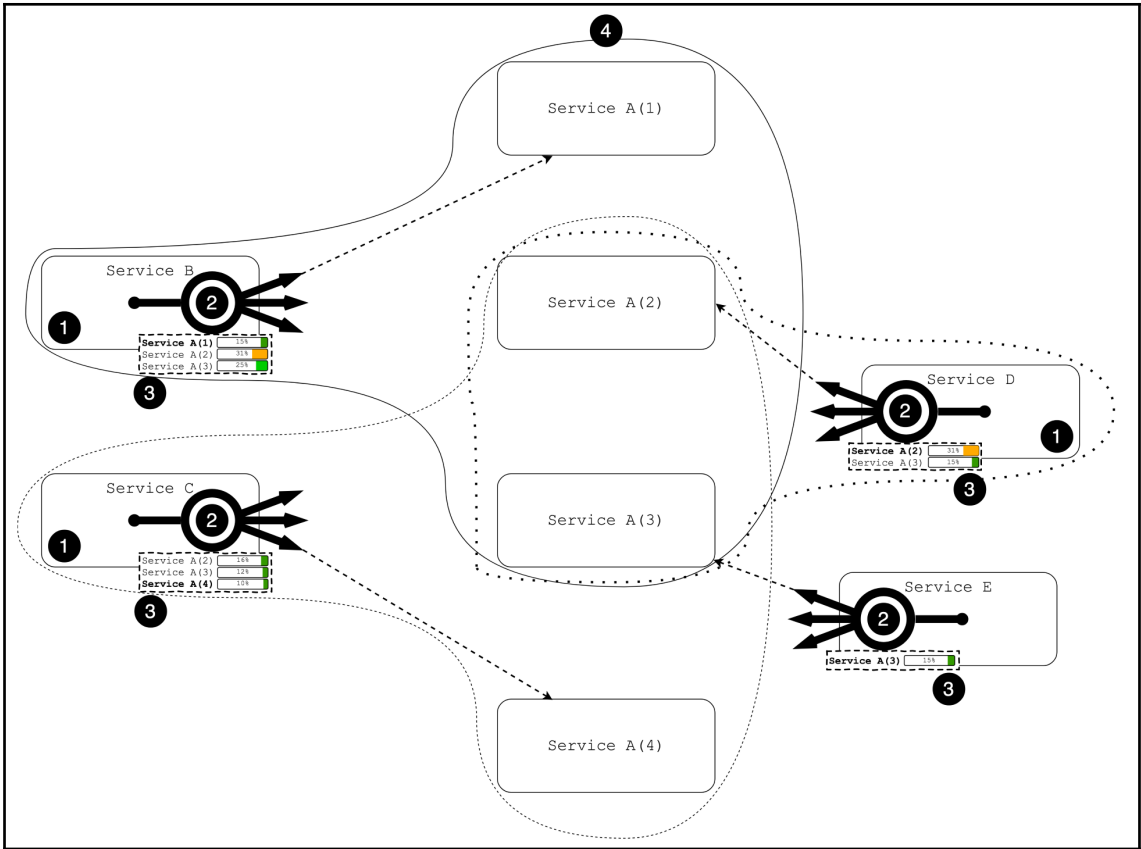


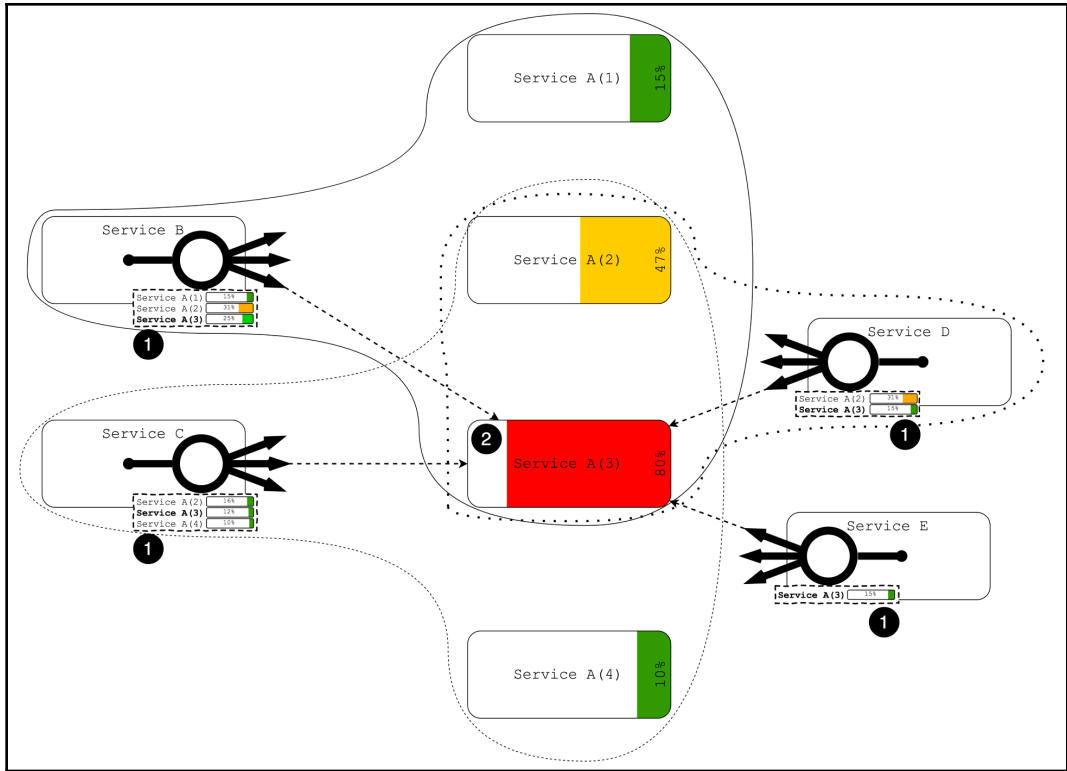


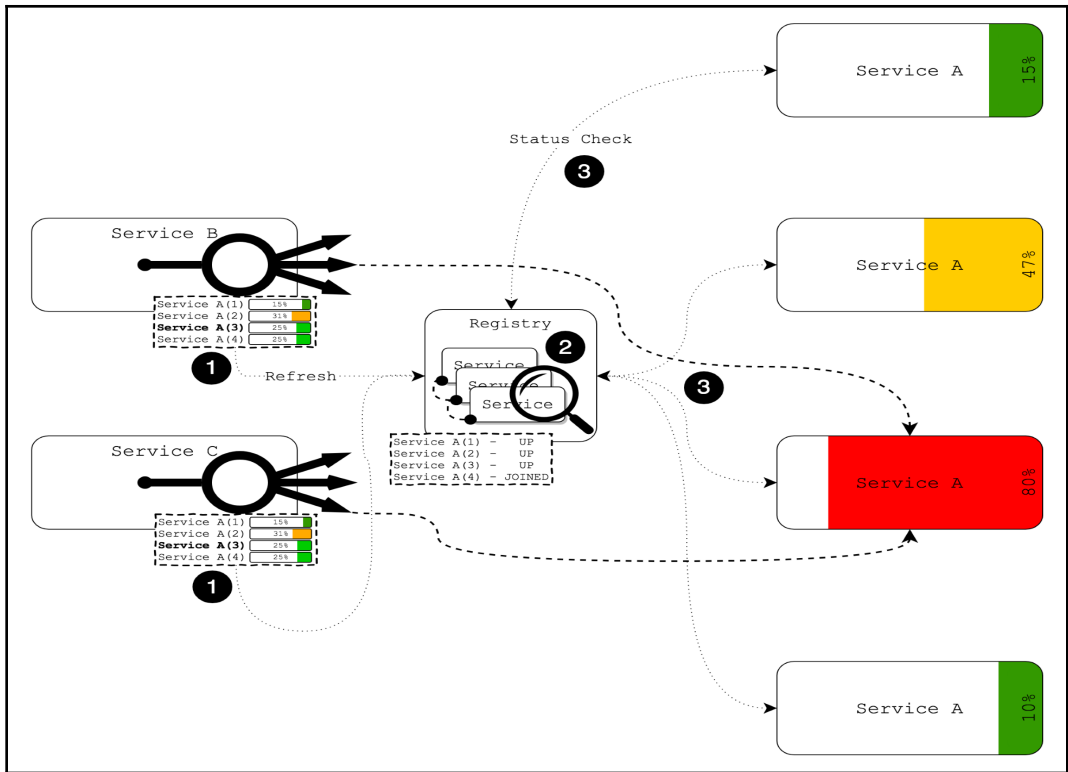
Chapter 8: Scaling Up with Cloud Streams

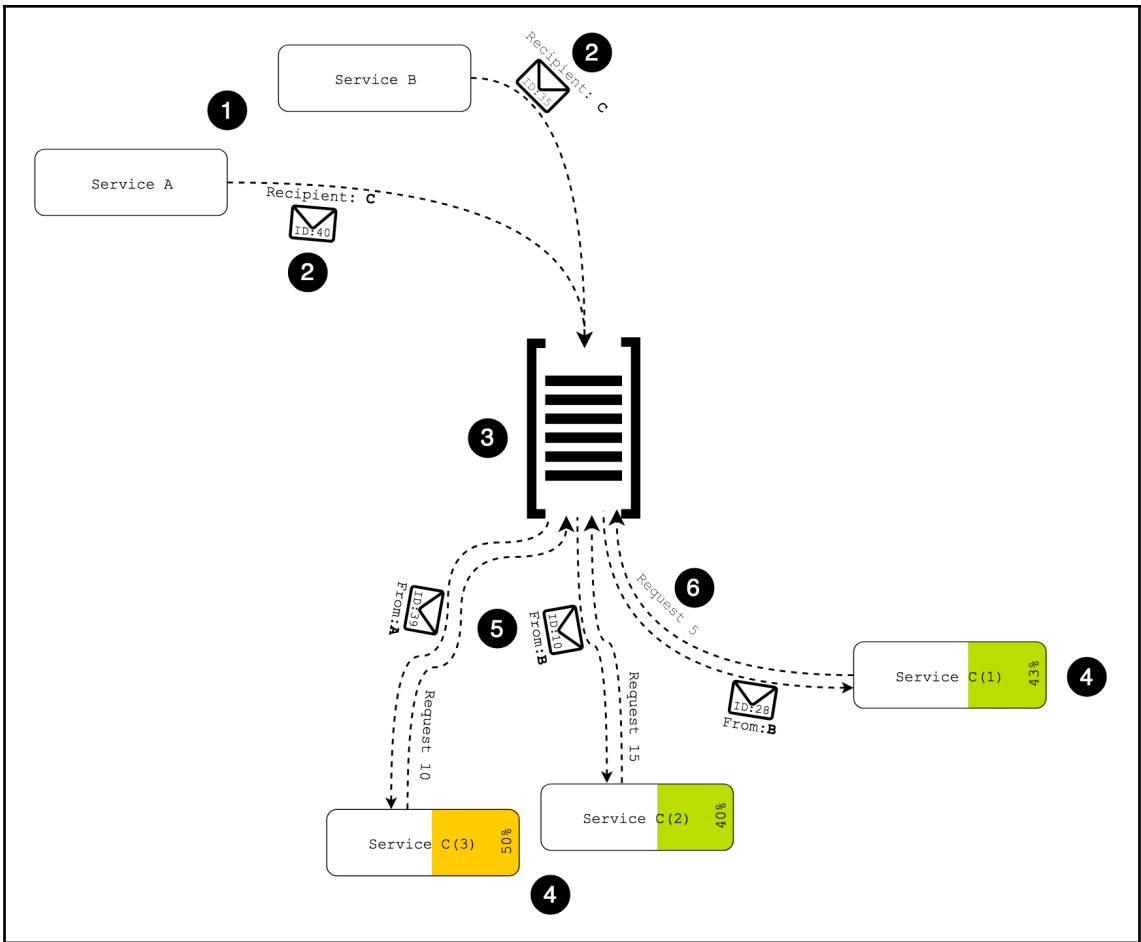


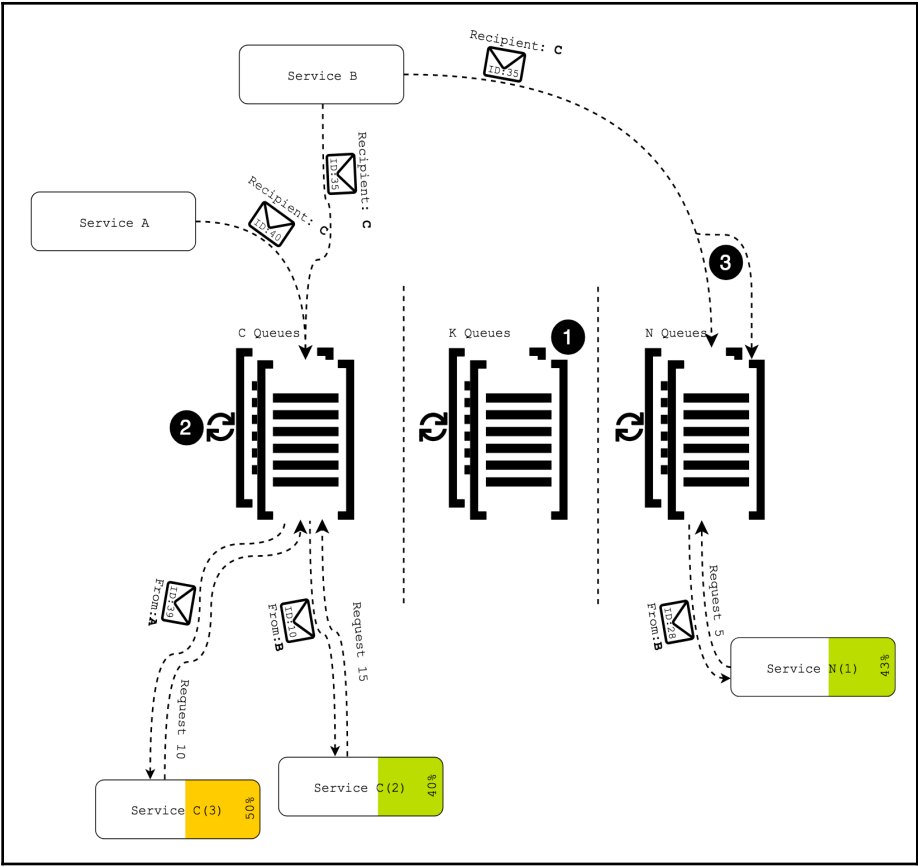


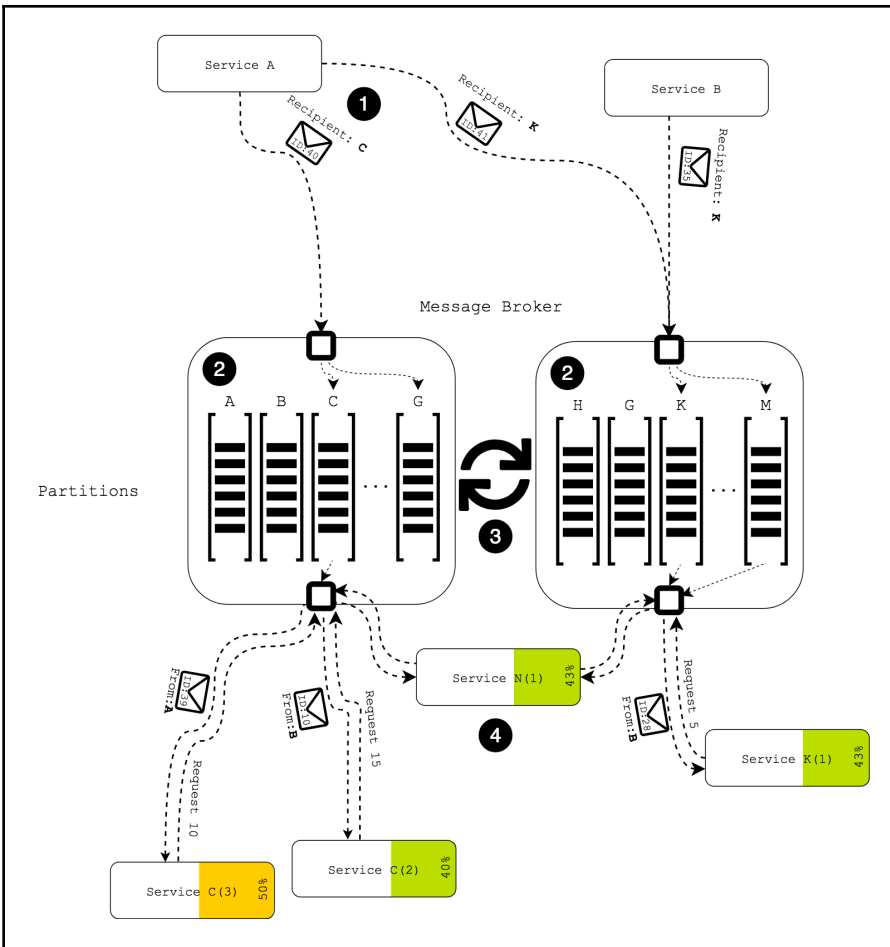


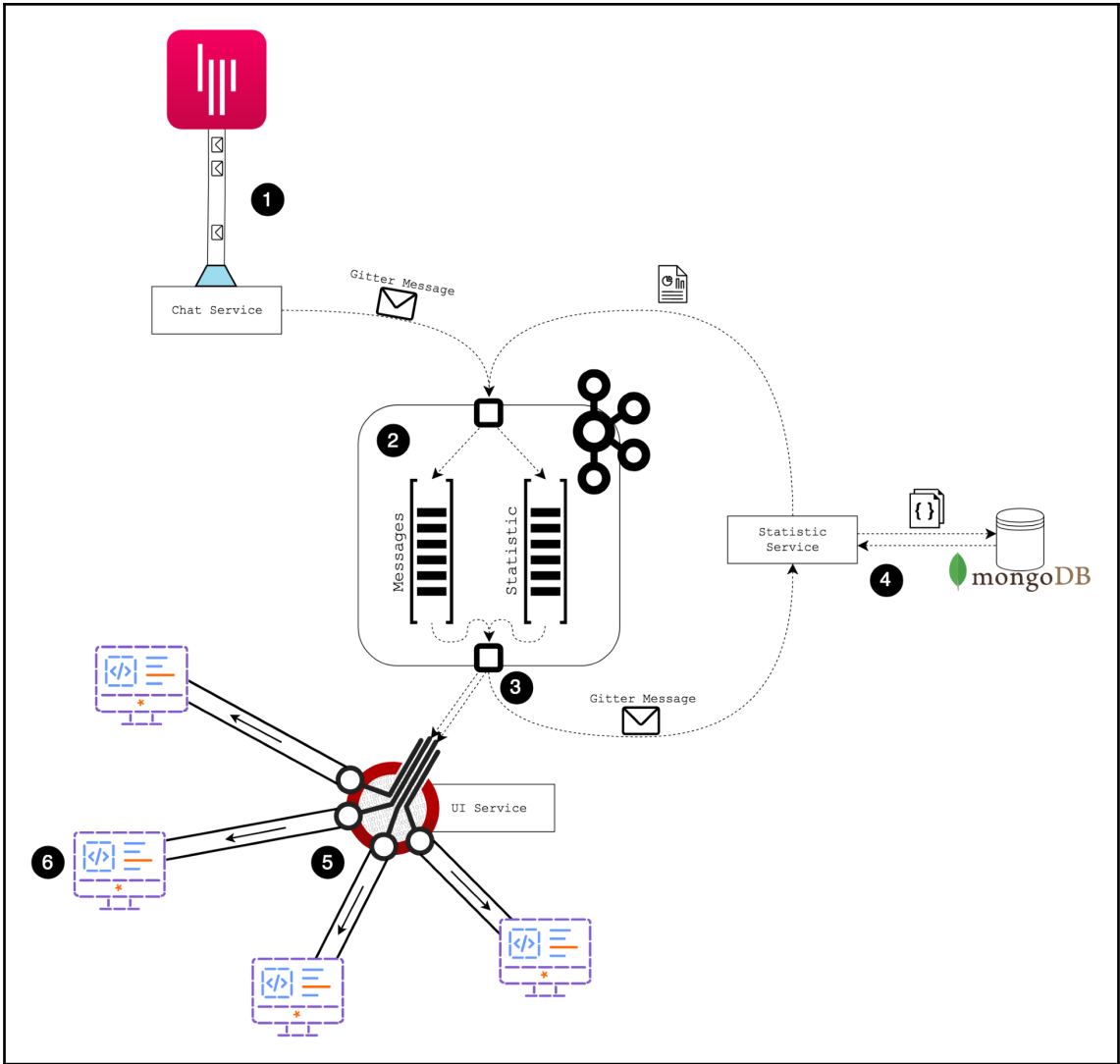


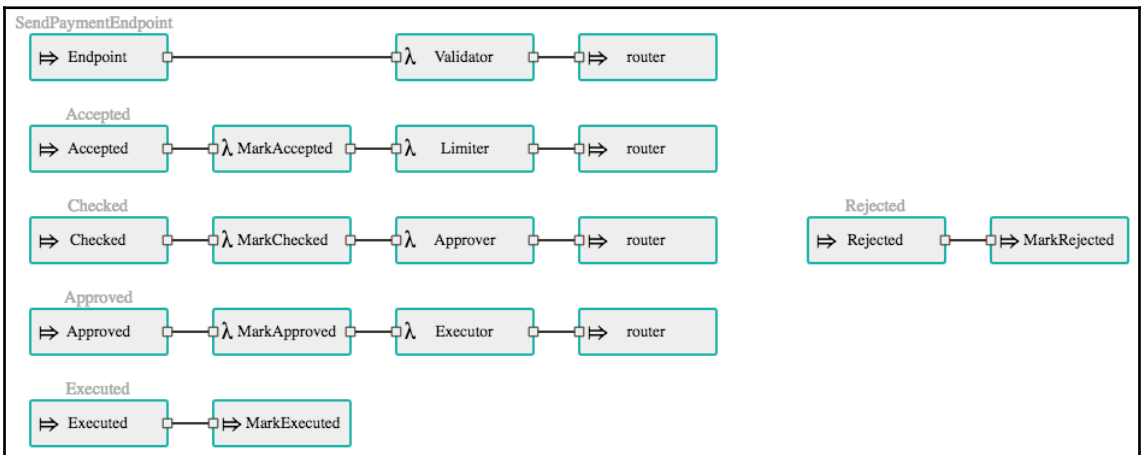
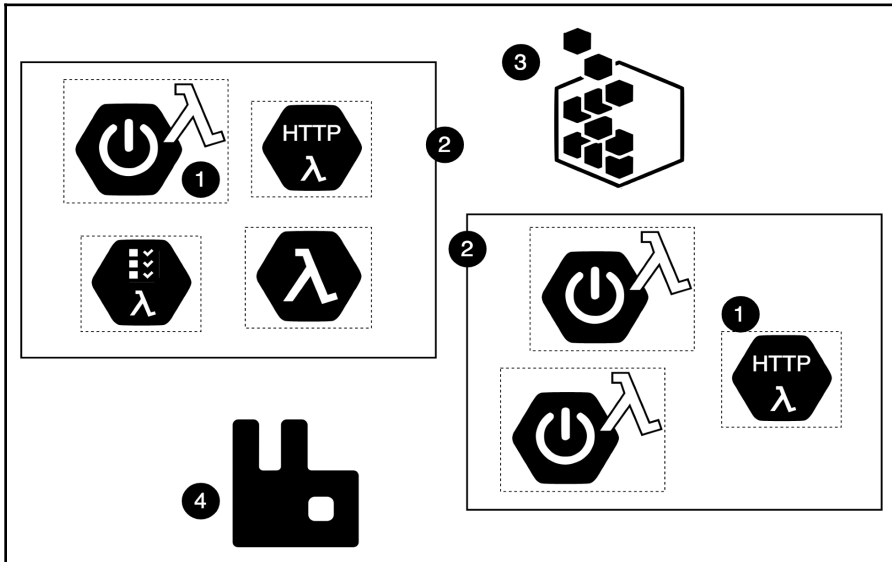
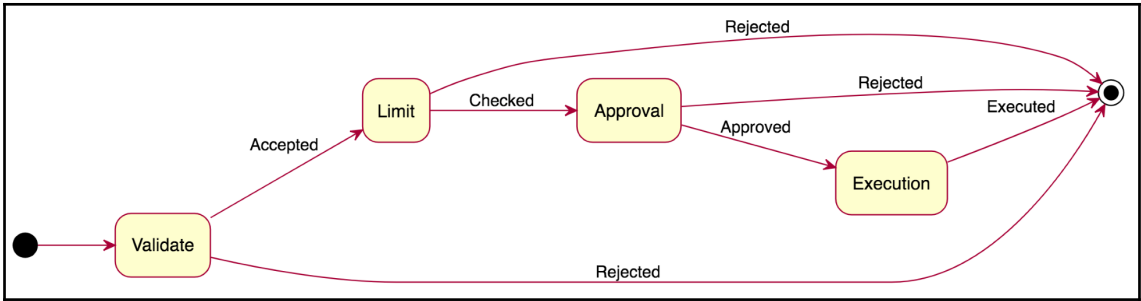


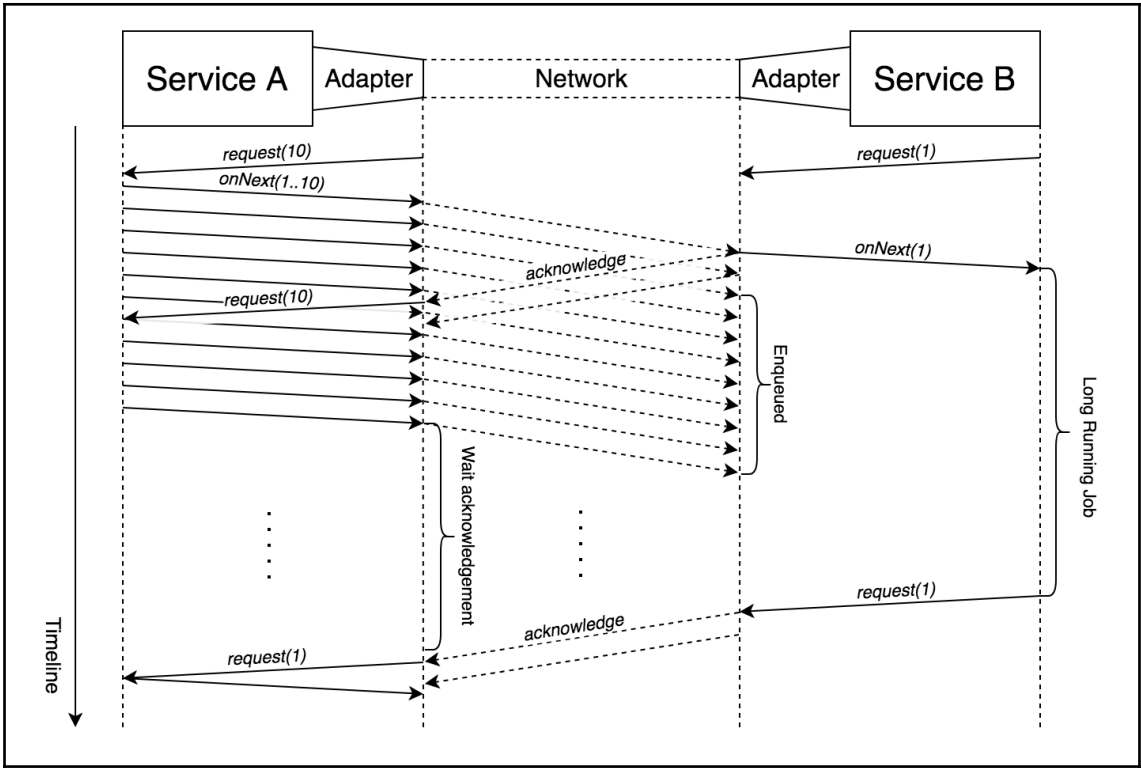


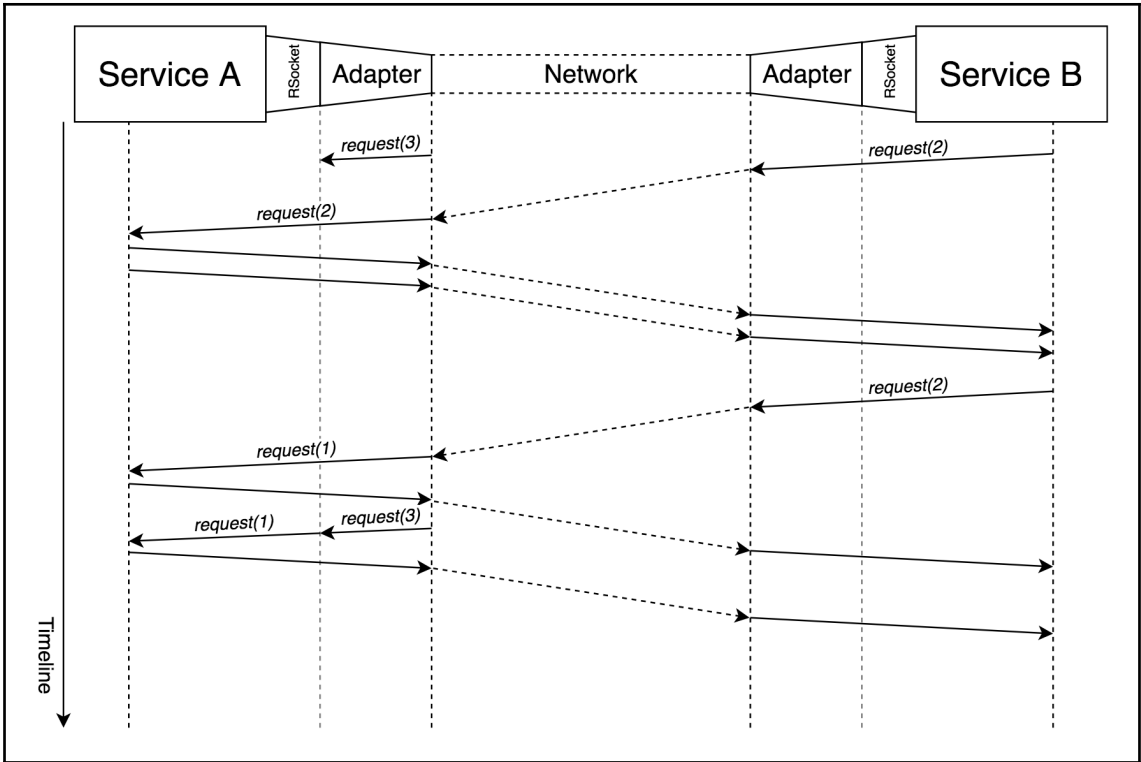












Chapter 10: And, Finally, Release It!

