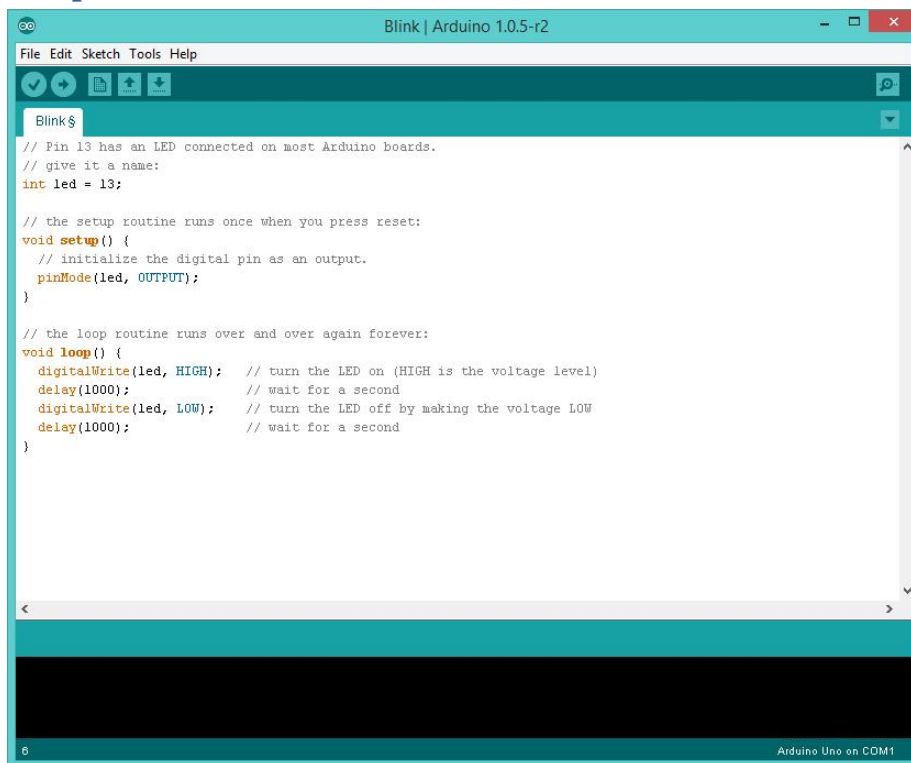


Chapter 1, Power on – Arduino Basics



Menu Bar

Tool Bar

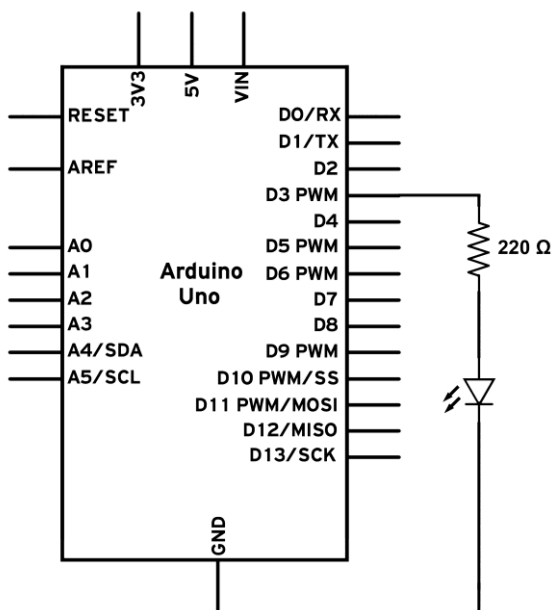
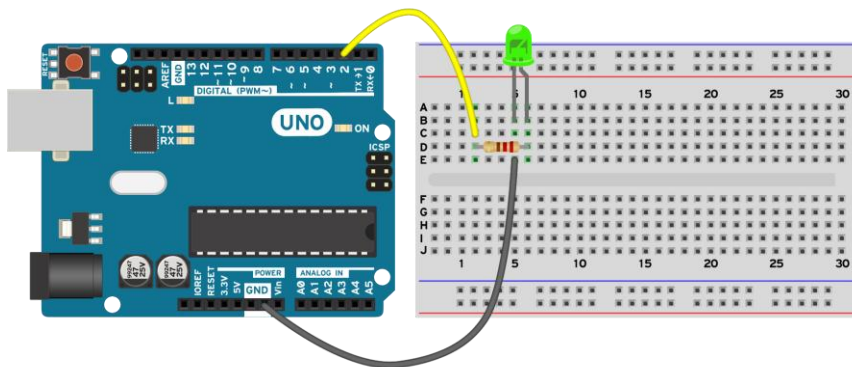
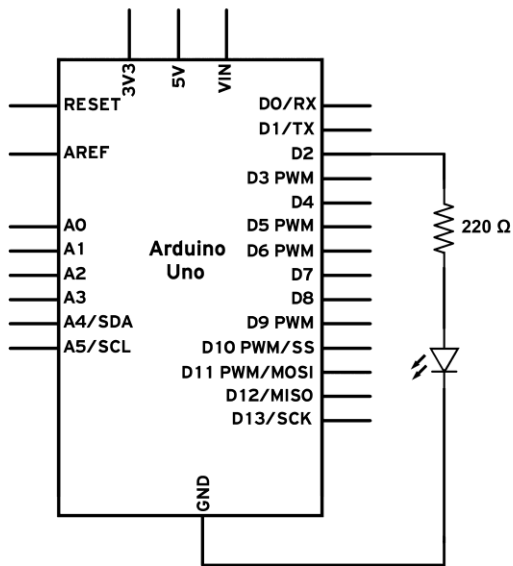
Sketch Tabs

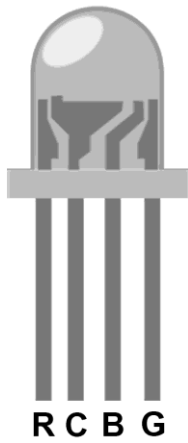
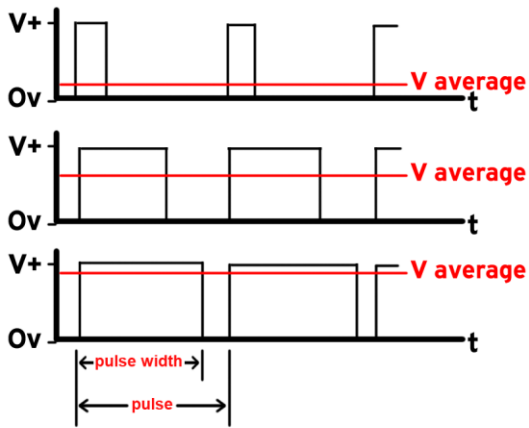
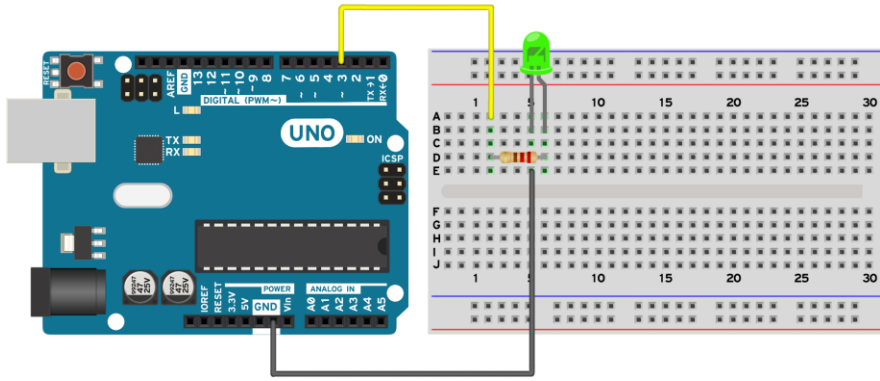
Code Space

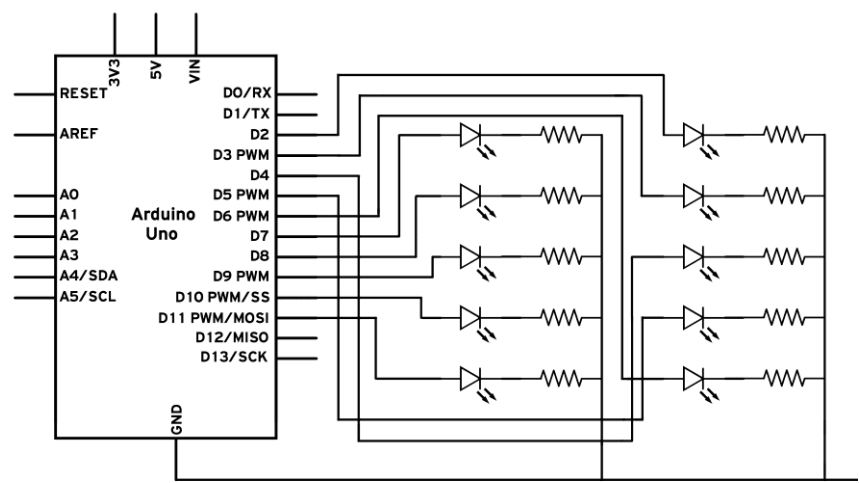
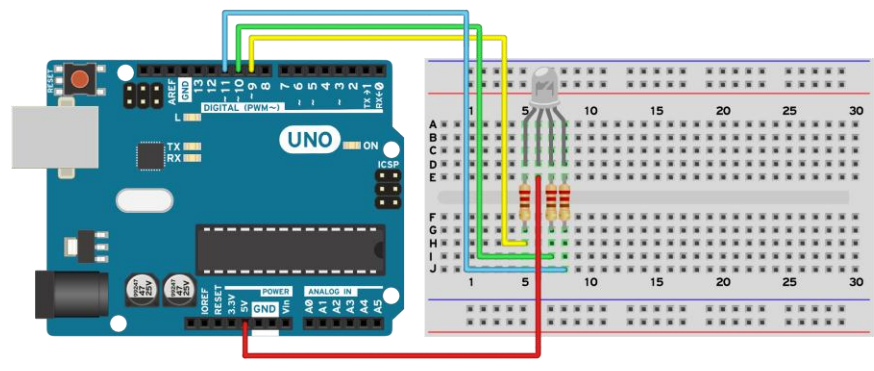
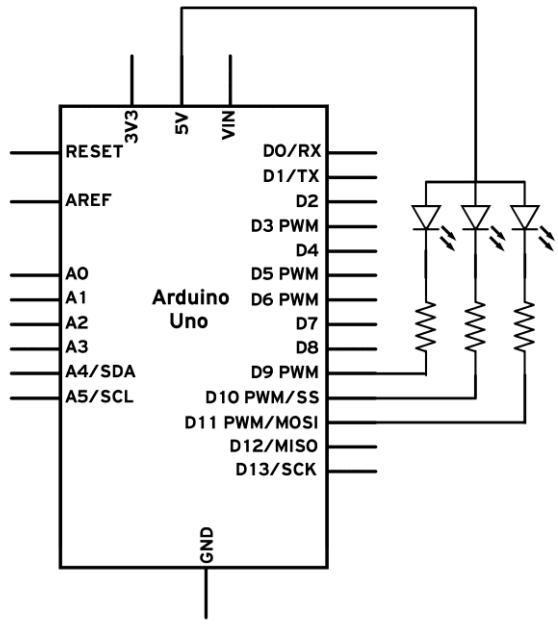
Status Display

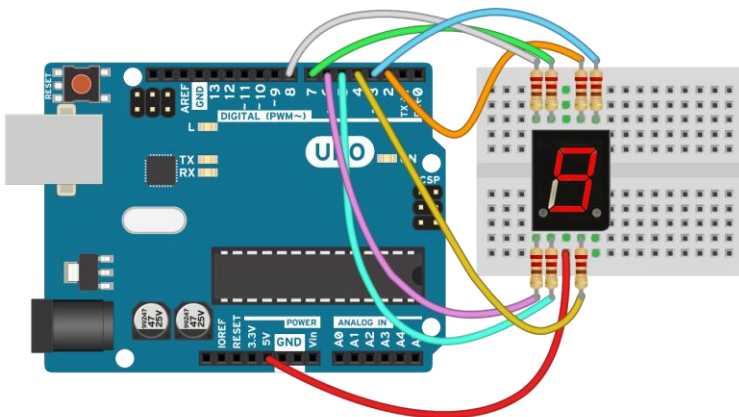
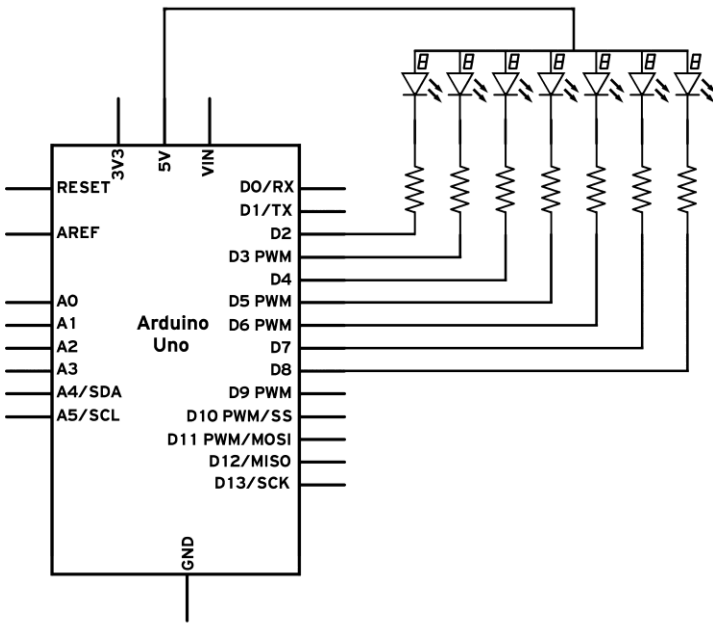
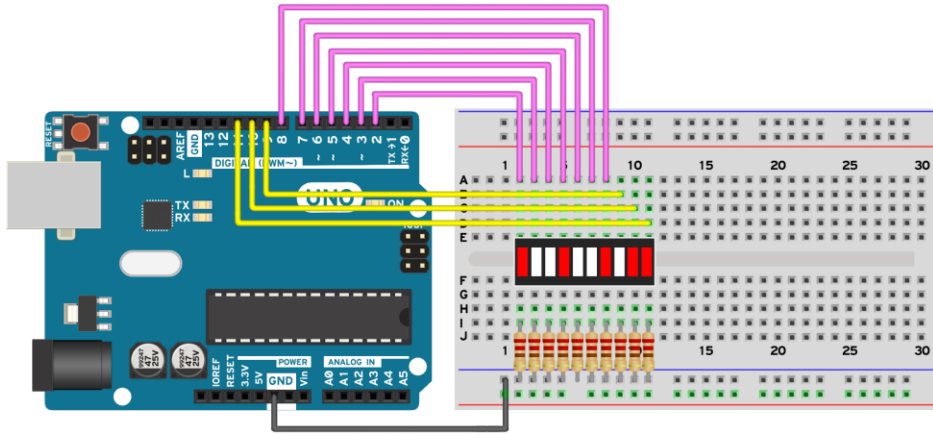


Chapter 2, Blinking LEDs

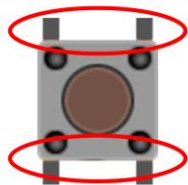


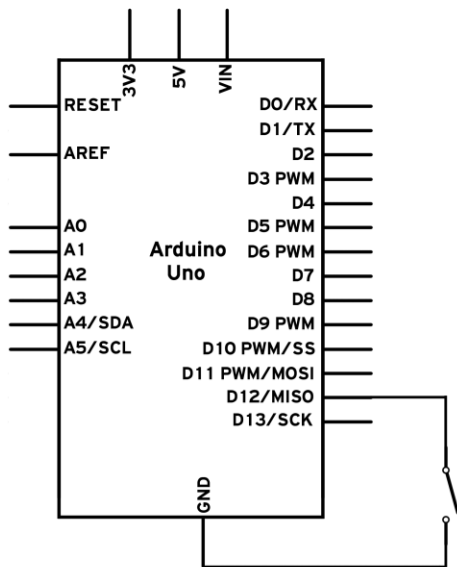
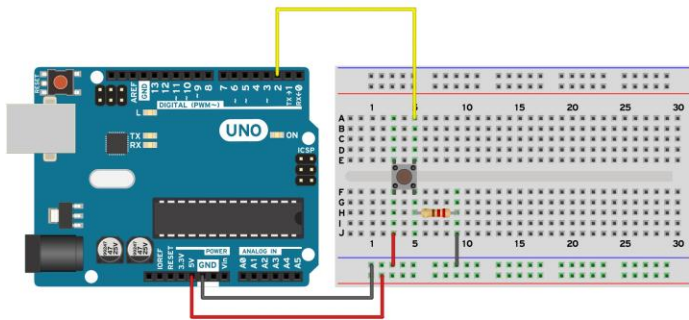
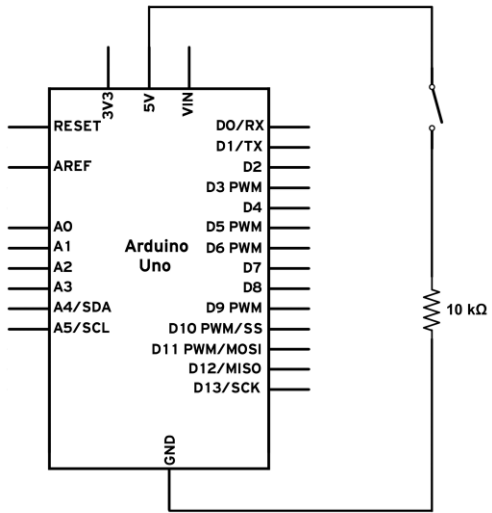


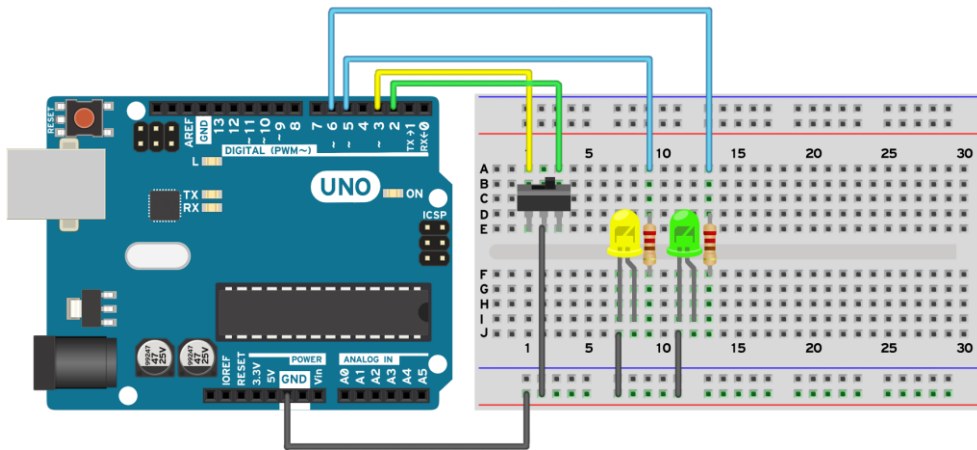
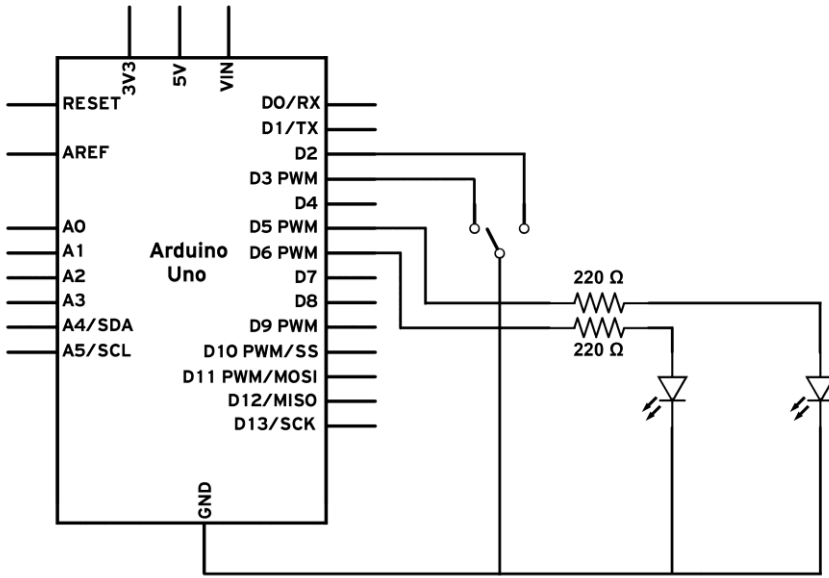
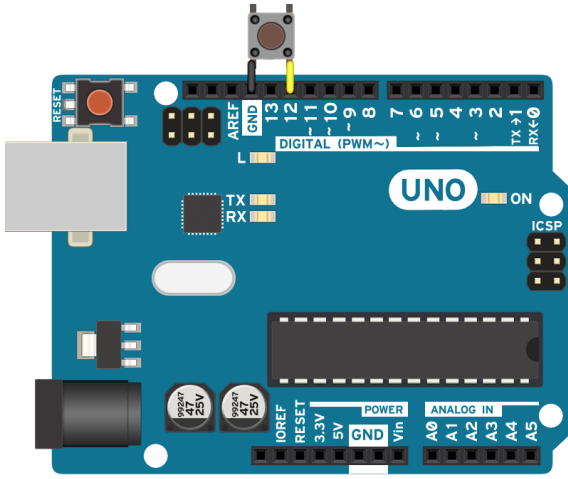


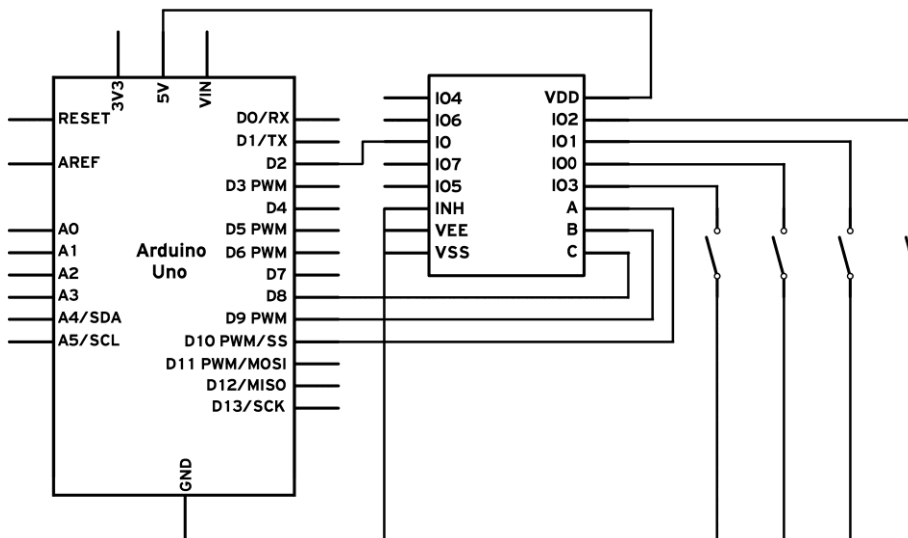
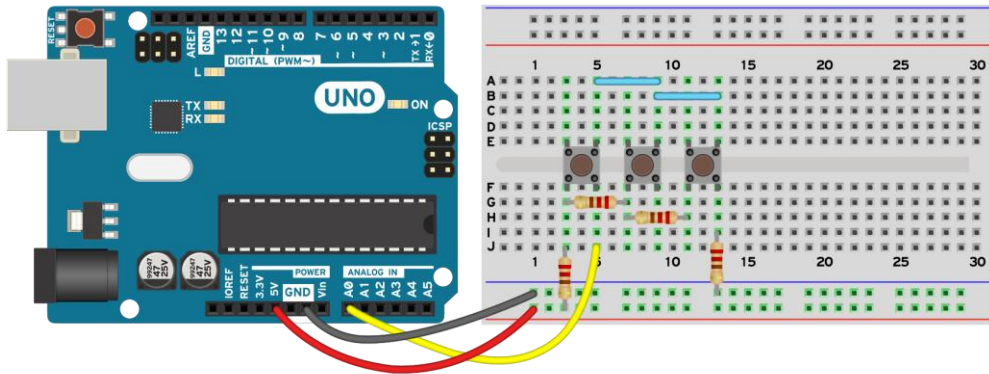
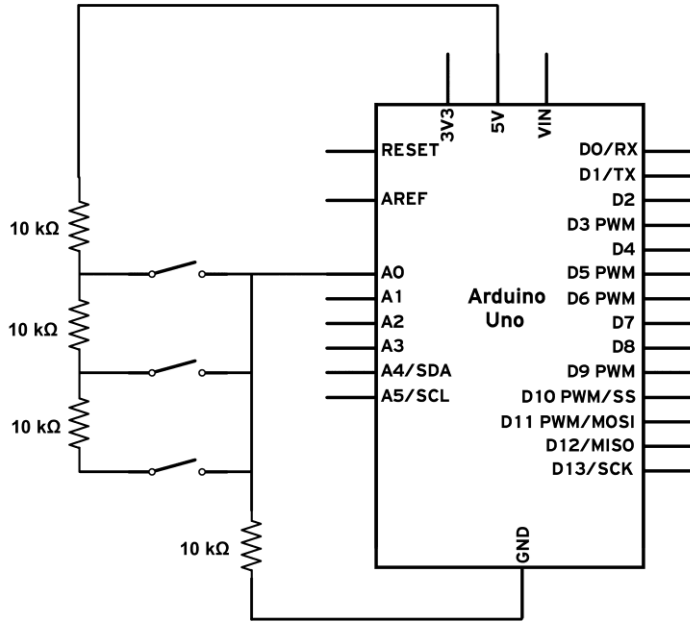


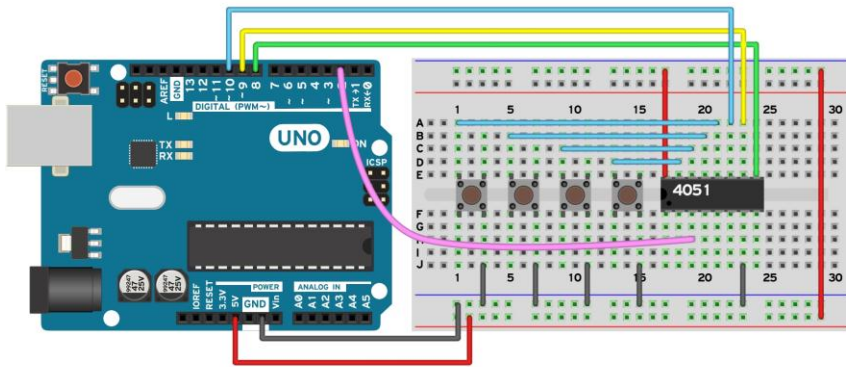
Chapter 3, Working with Buttons



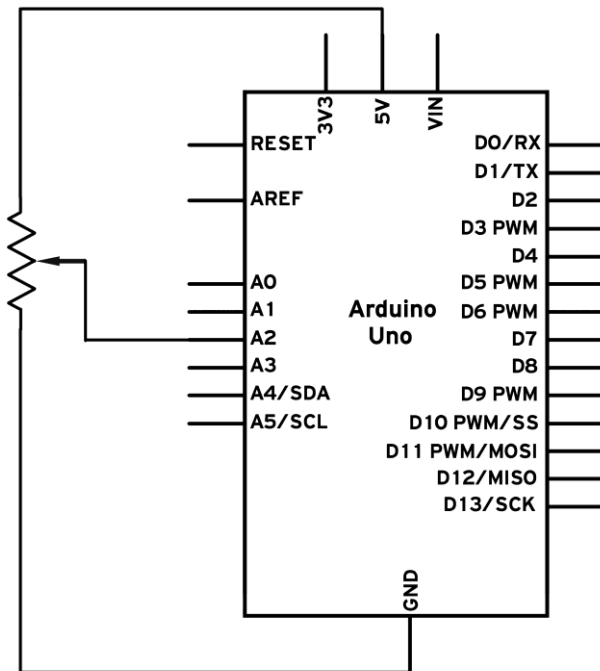


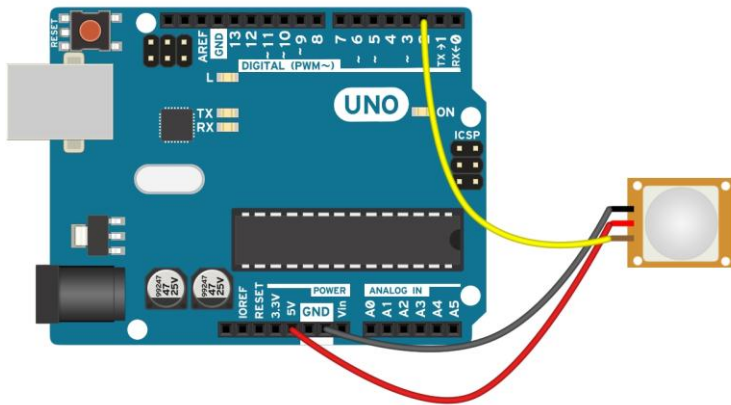
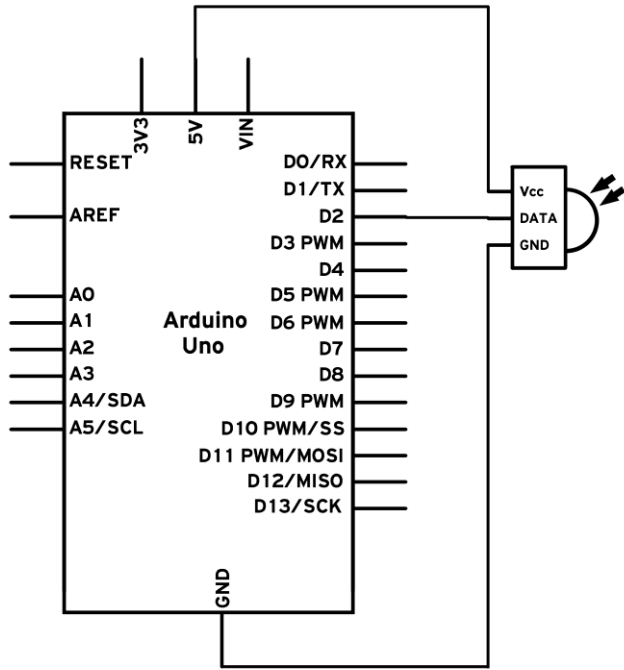


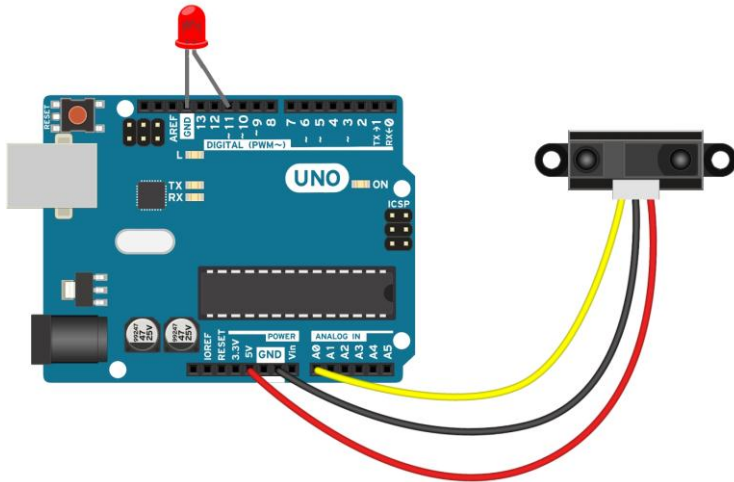
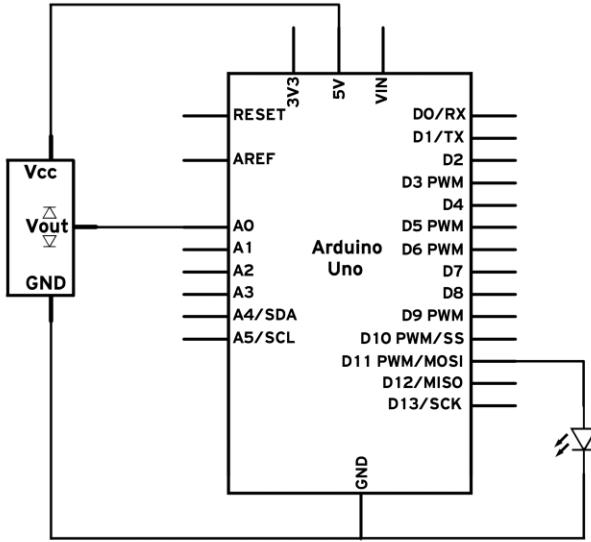


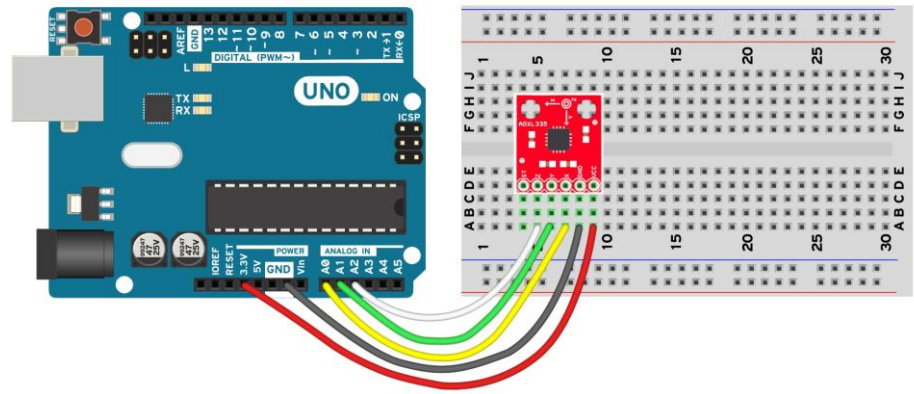
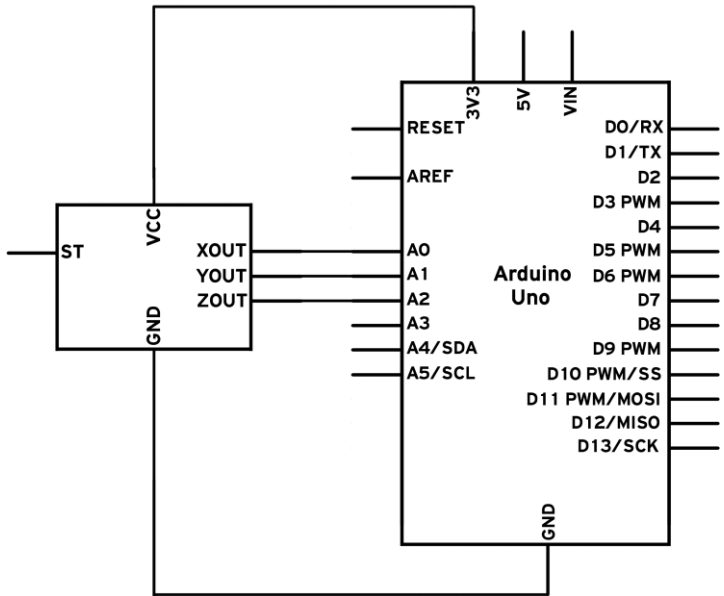


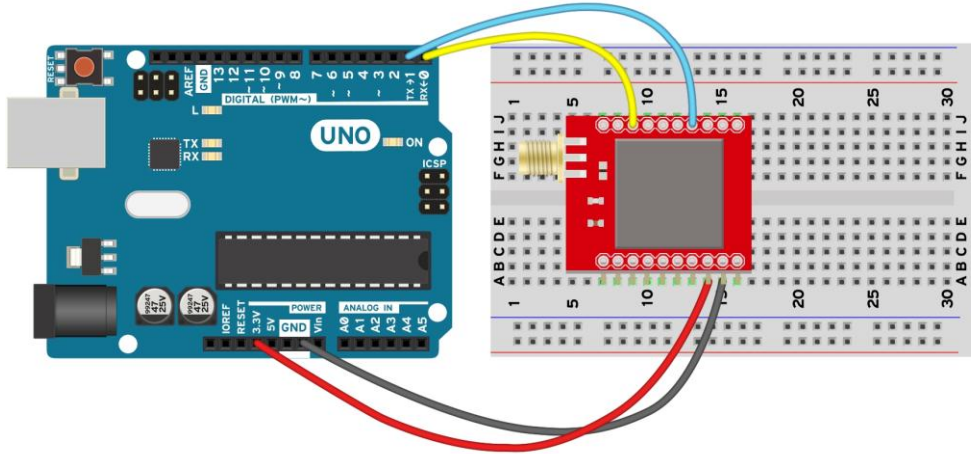
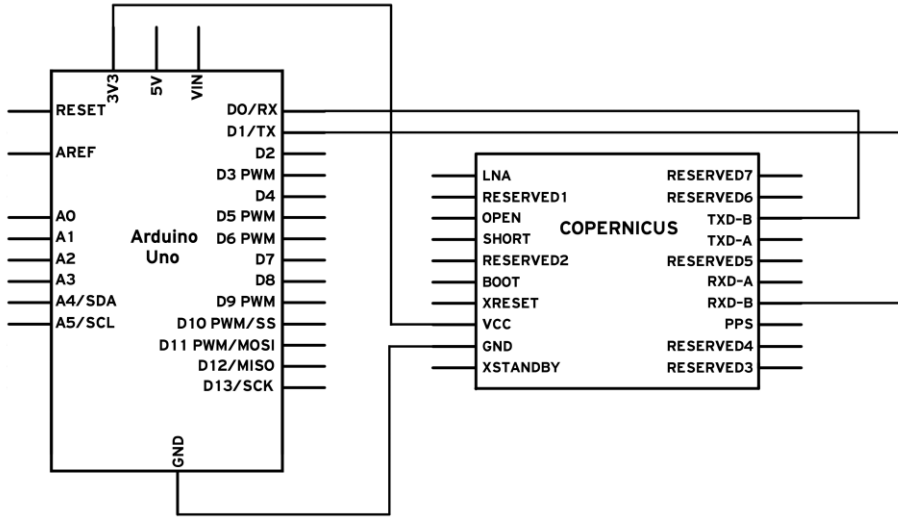
Chapter 4, Sensors



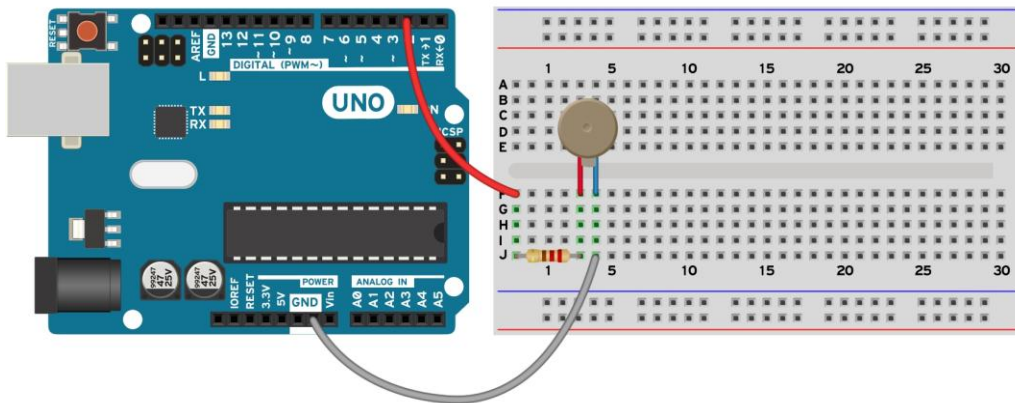
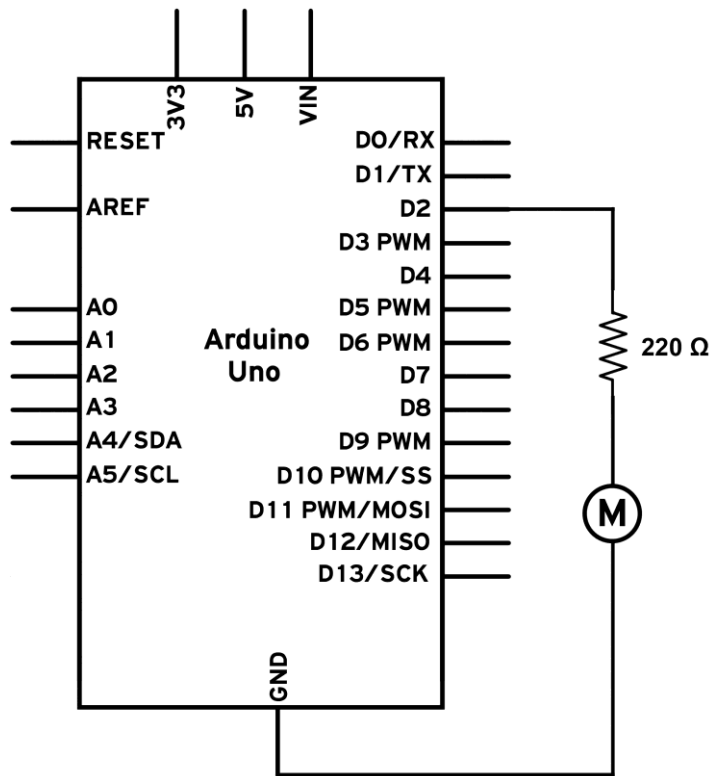


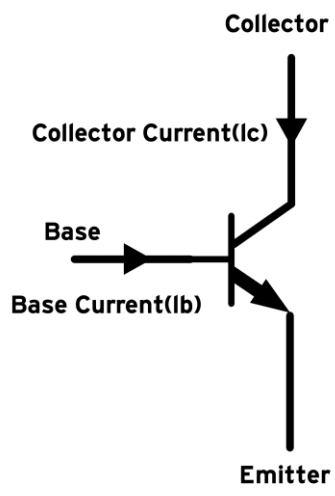
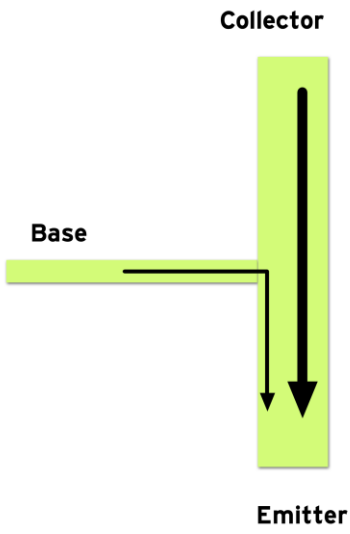
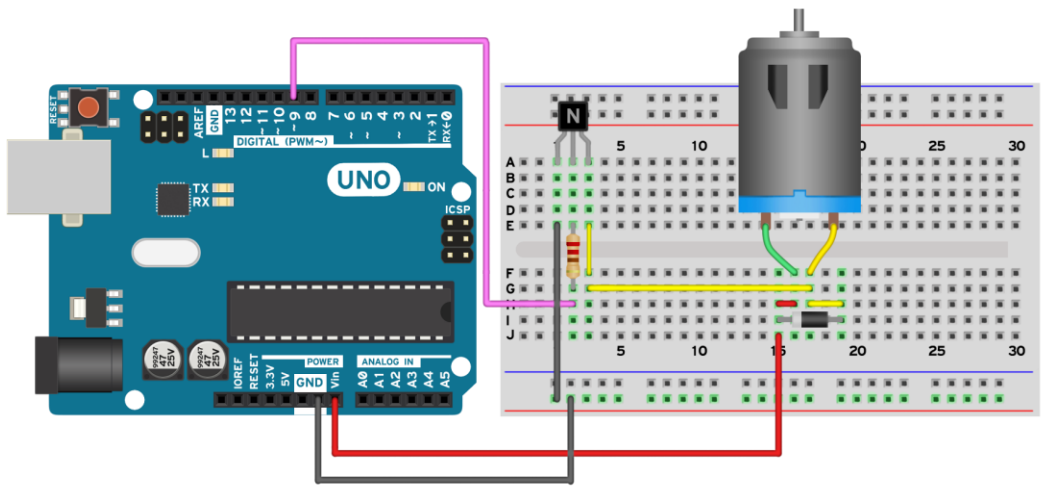
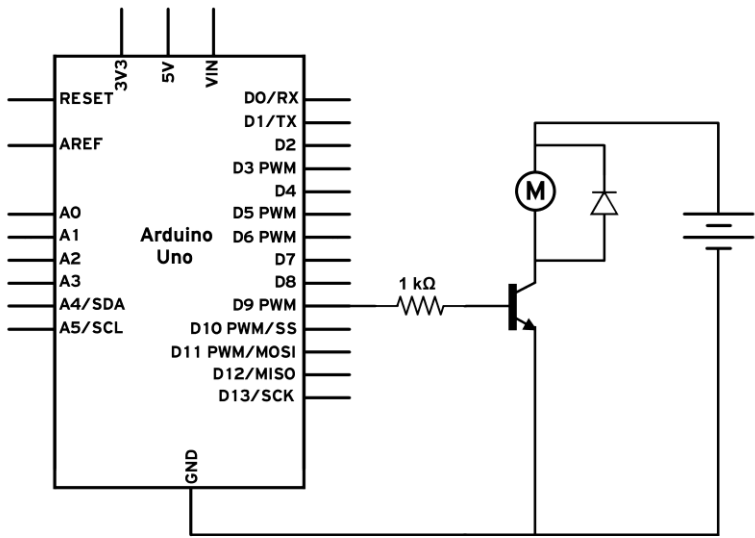


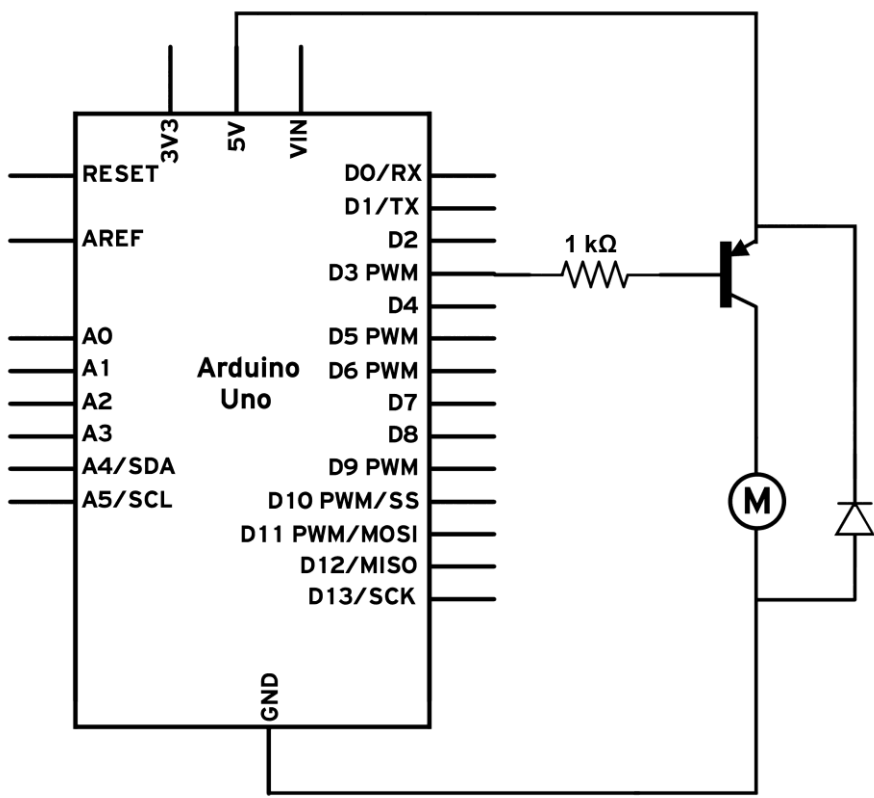
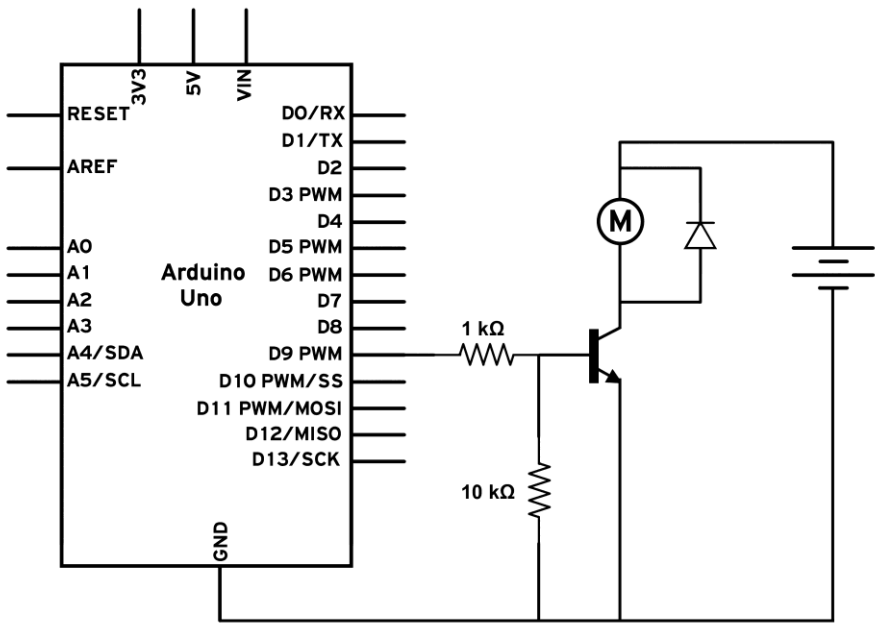


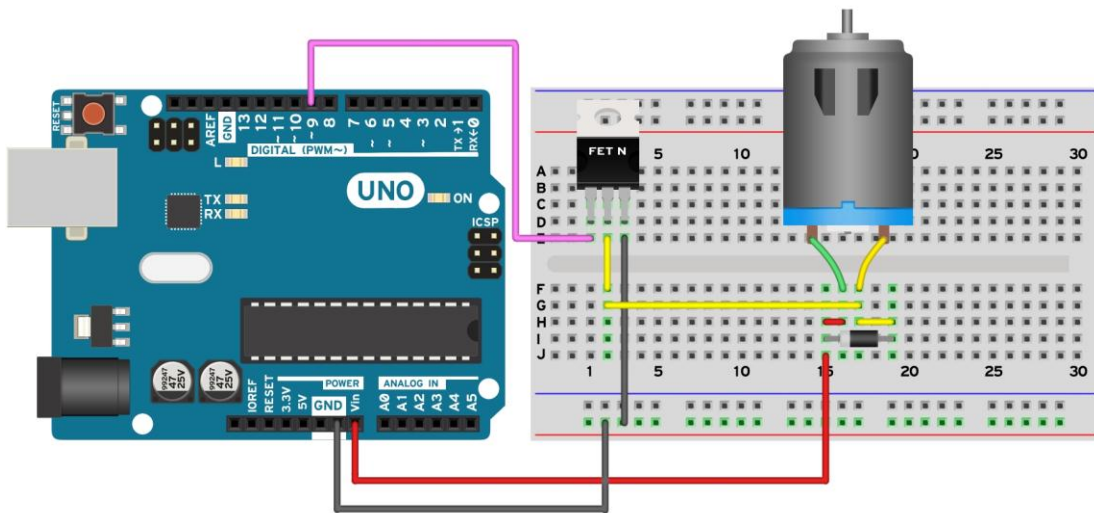
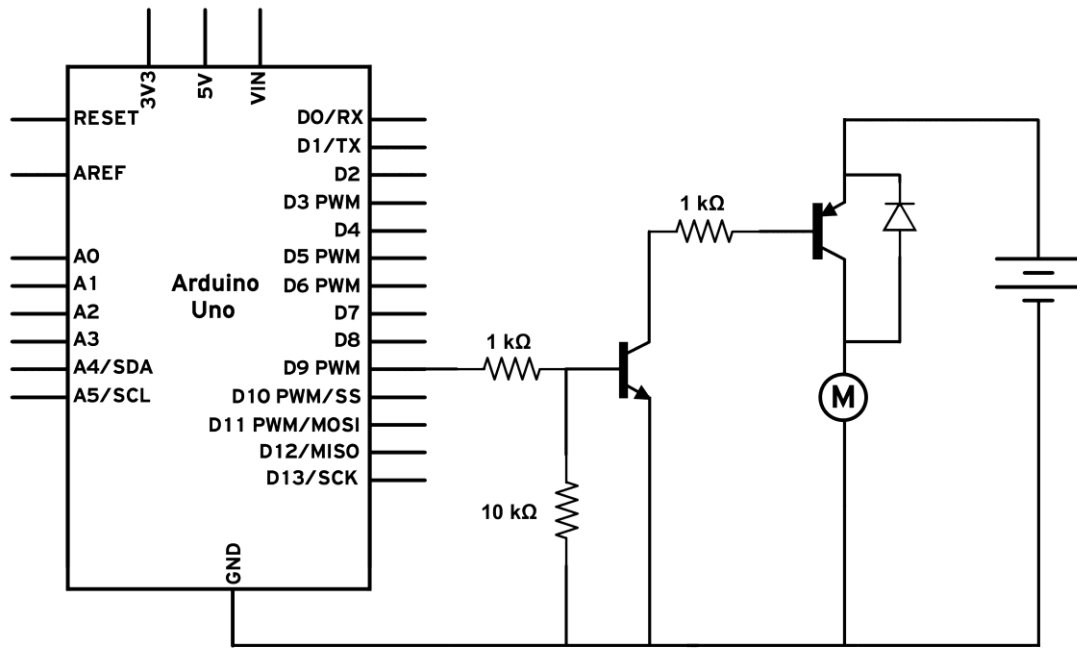


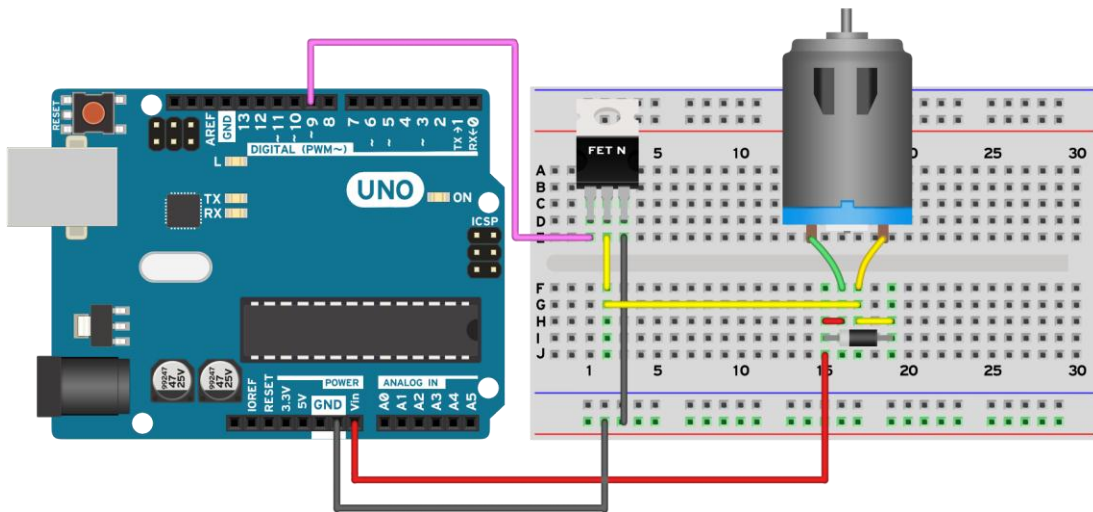
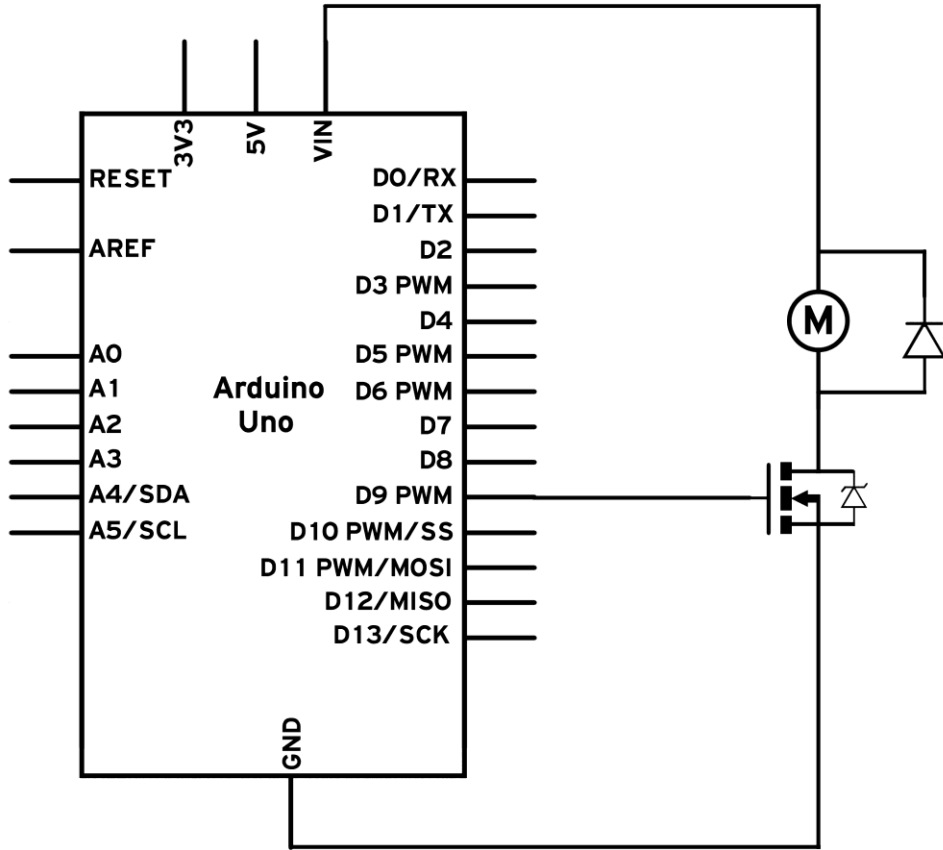
Chapter 5, Motor Control

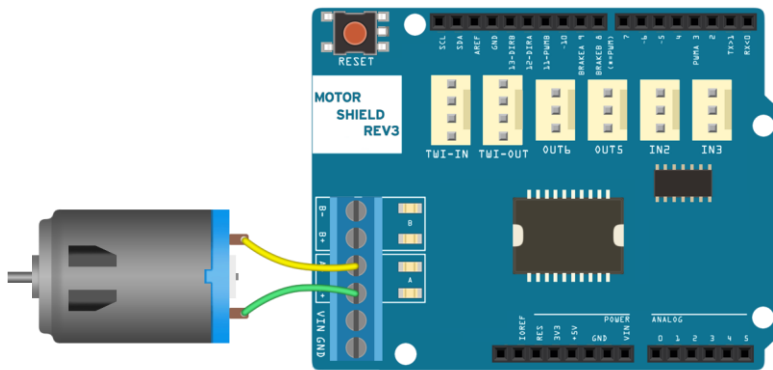
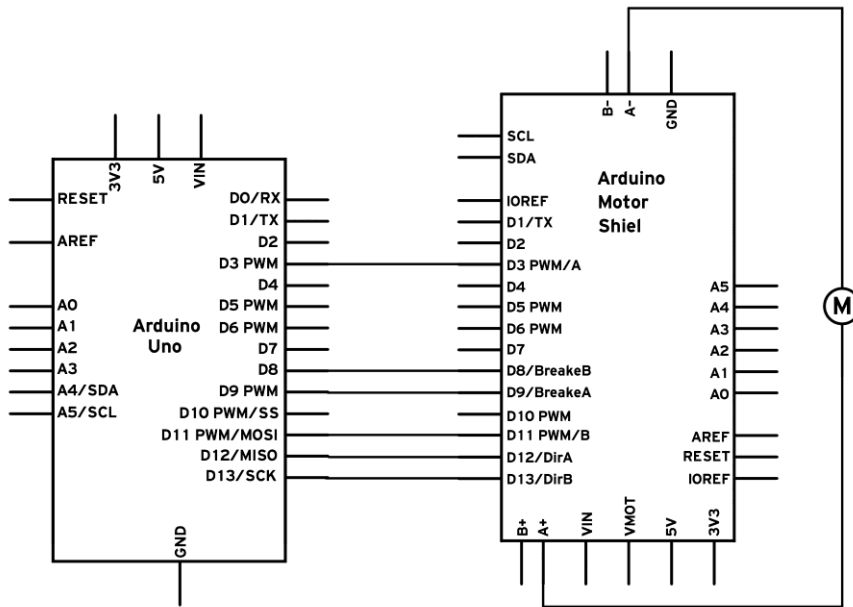
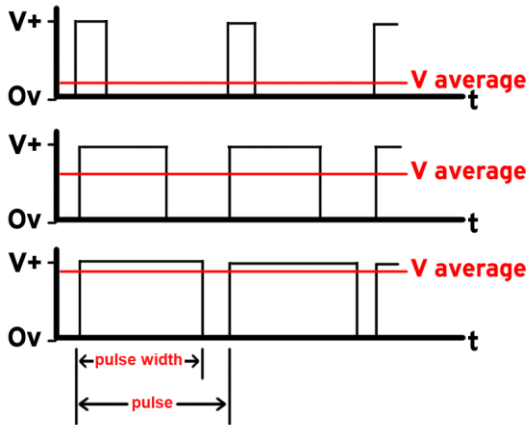


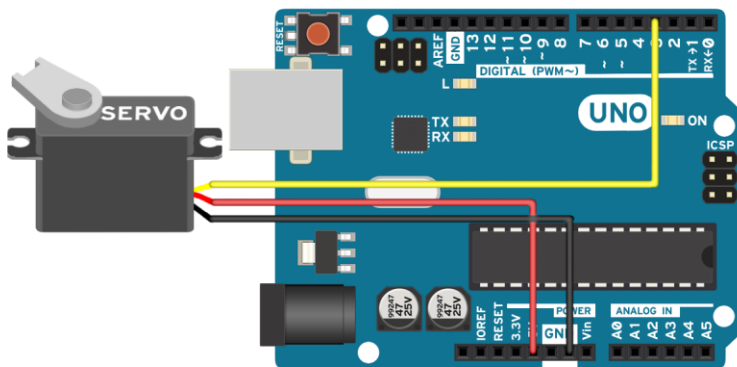
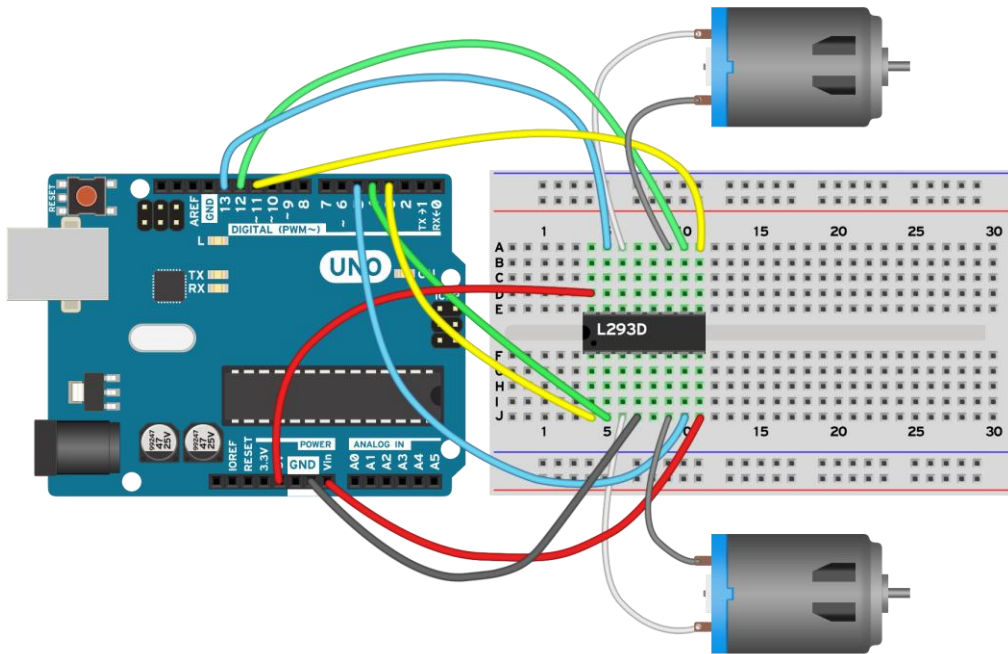
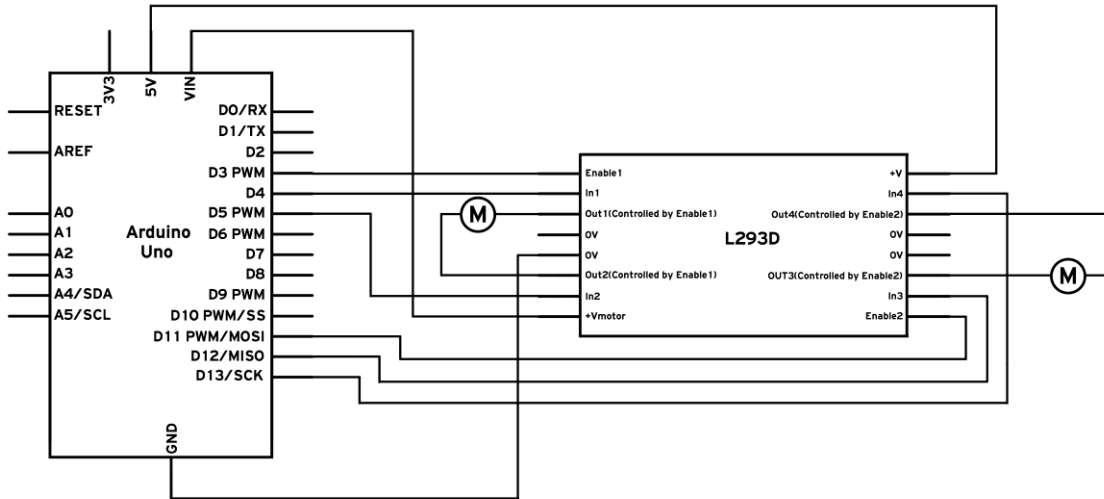


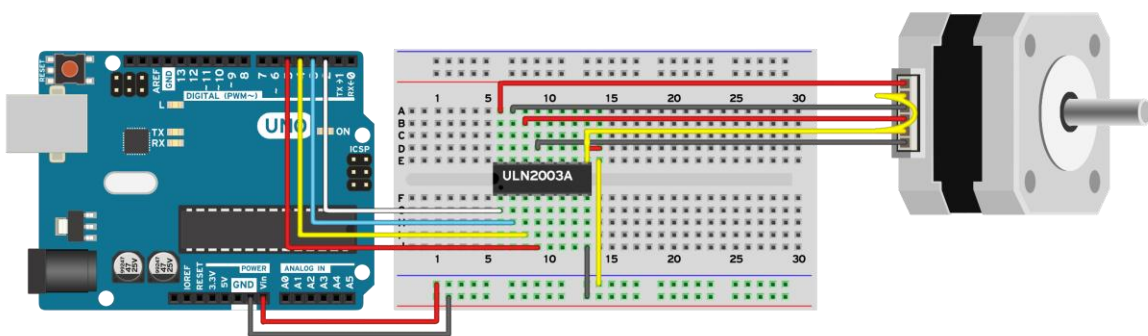
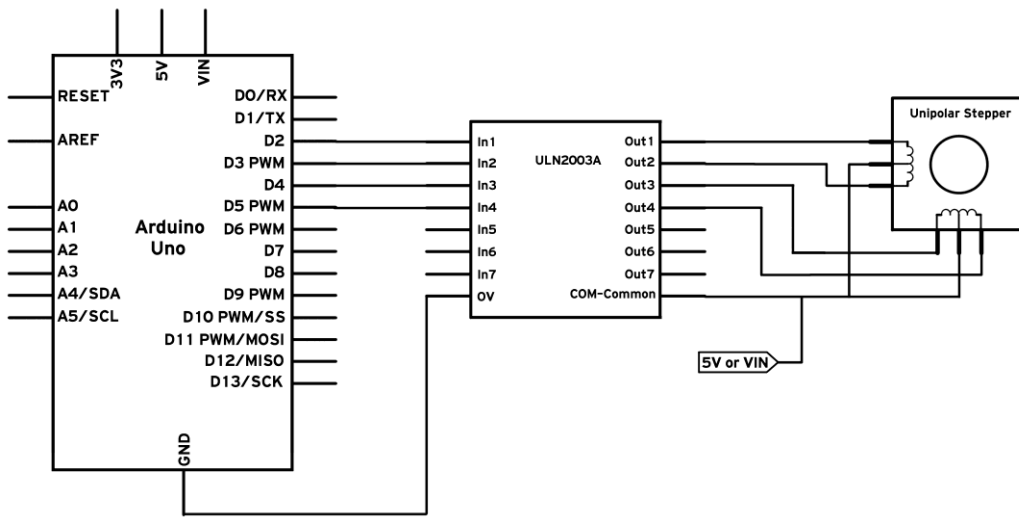
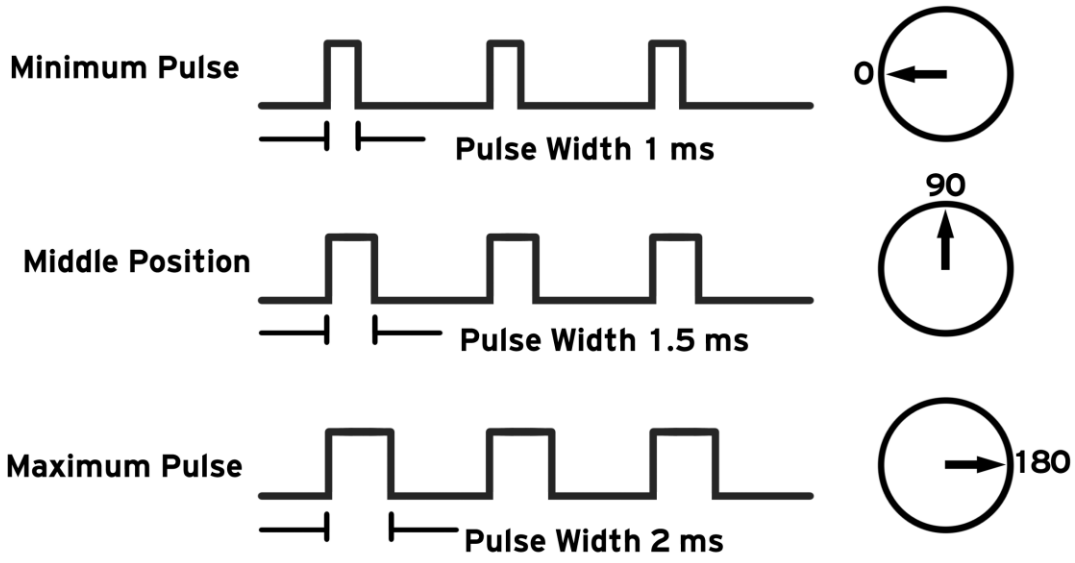


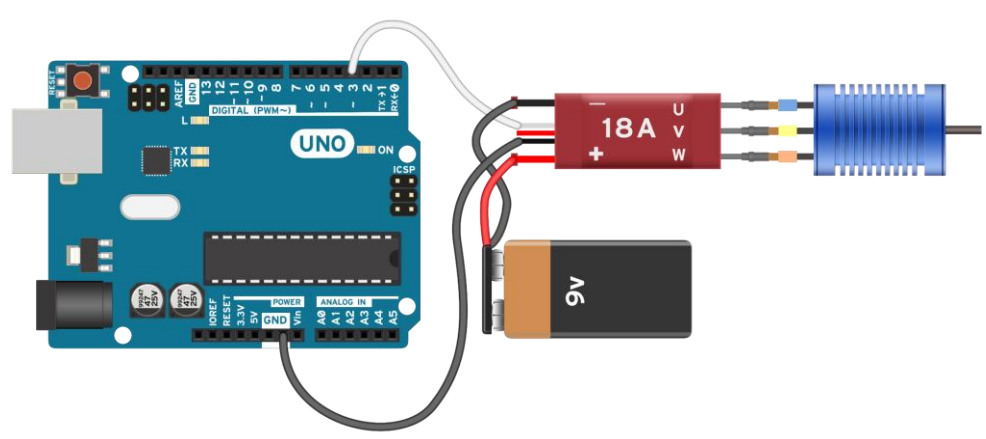
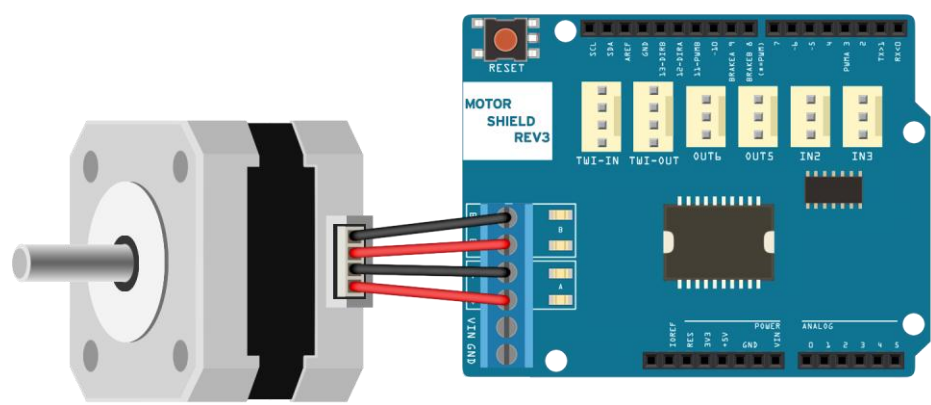
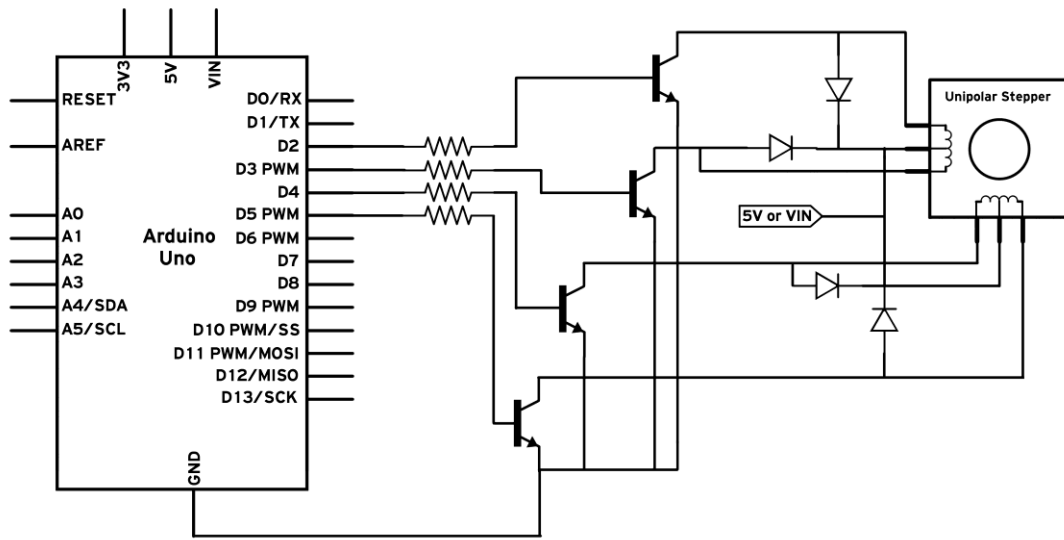




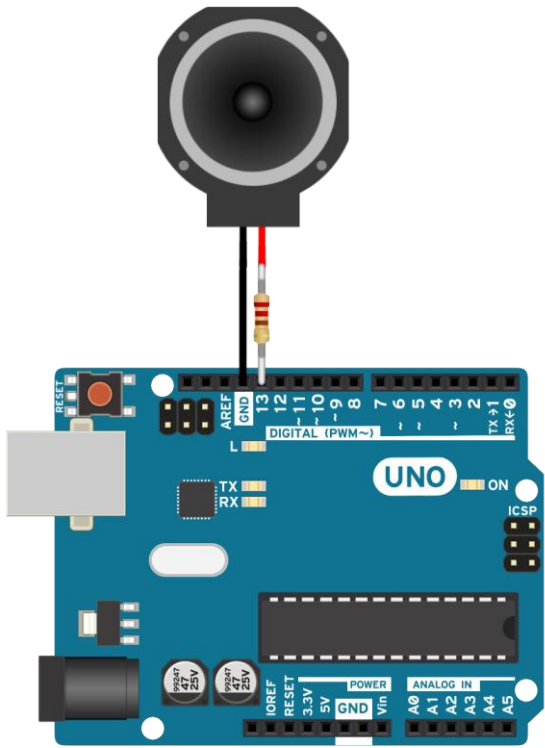
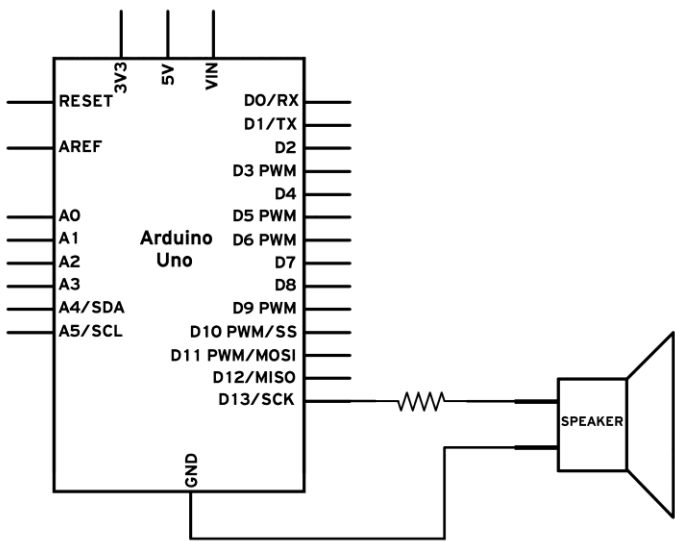


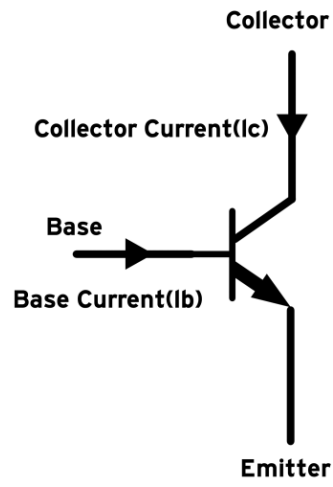
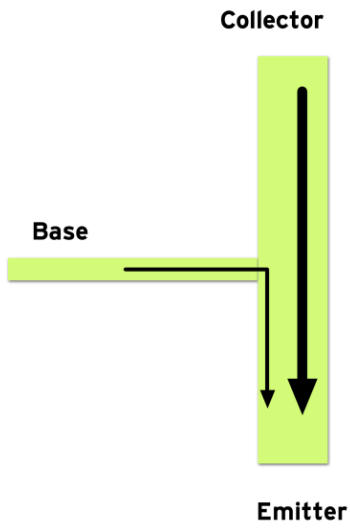
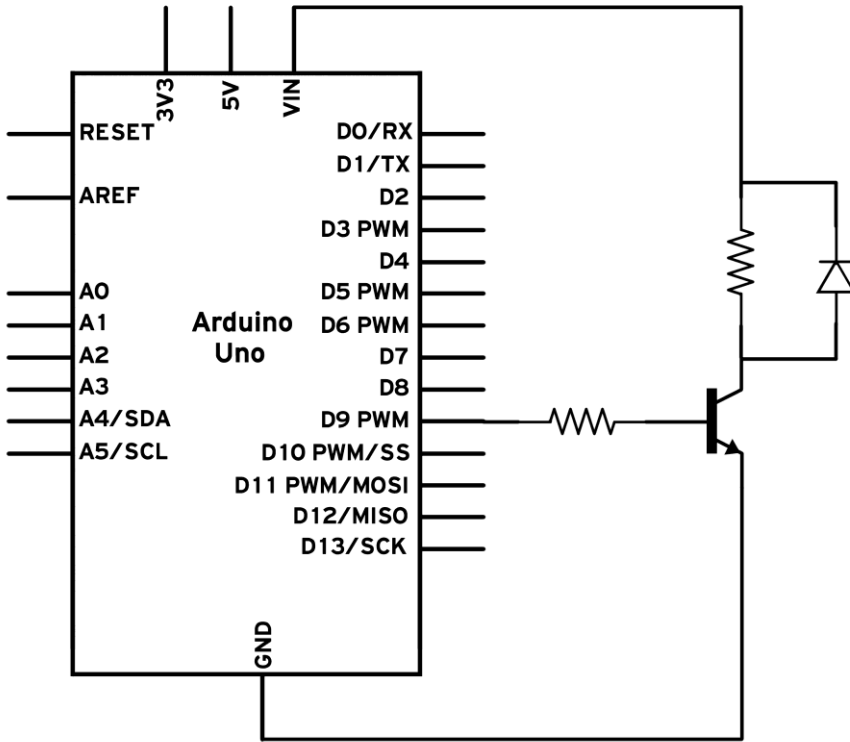


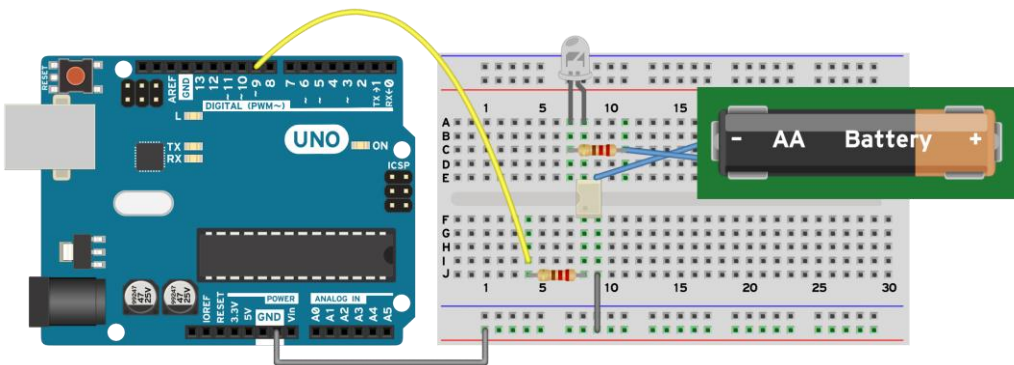
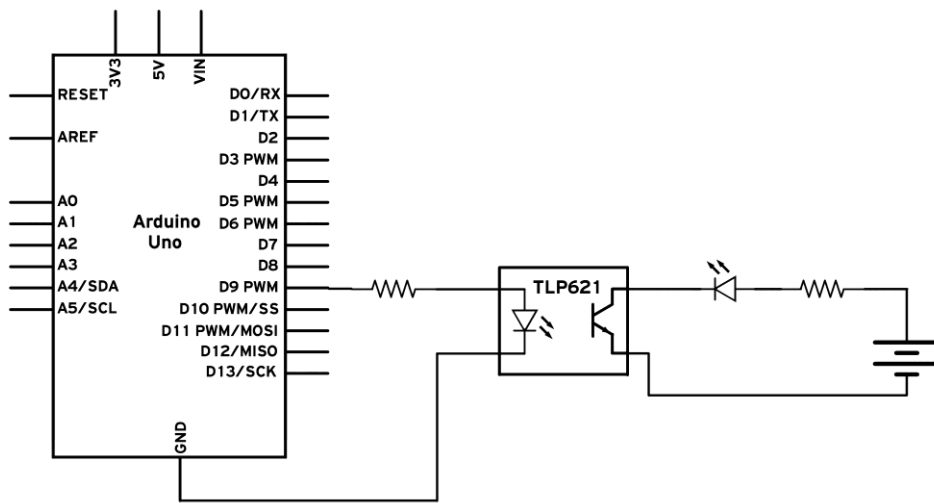
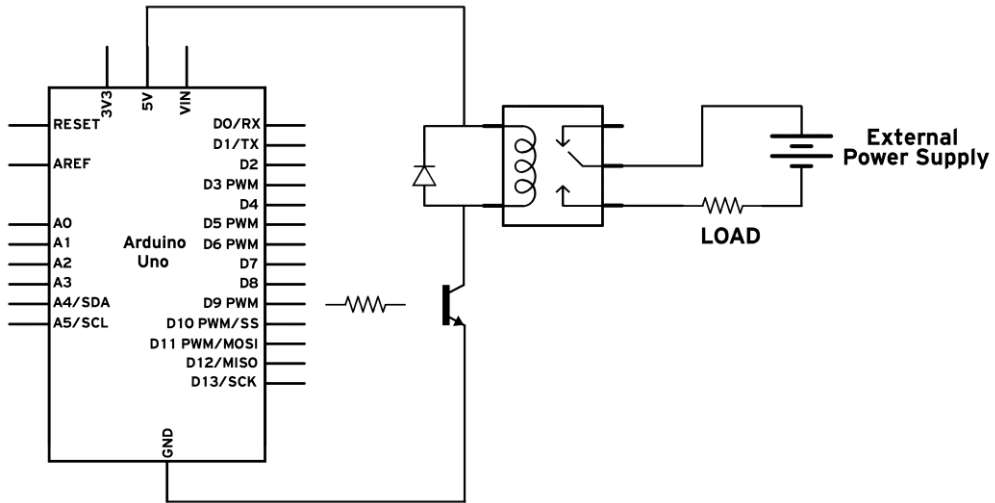


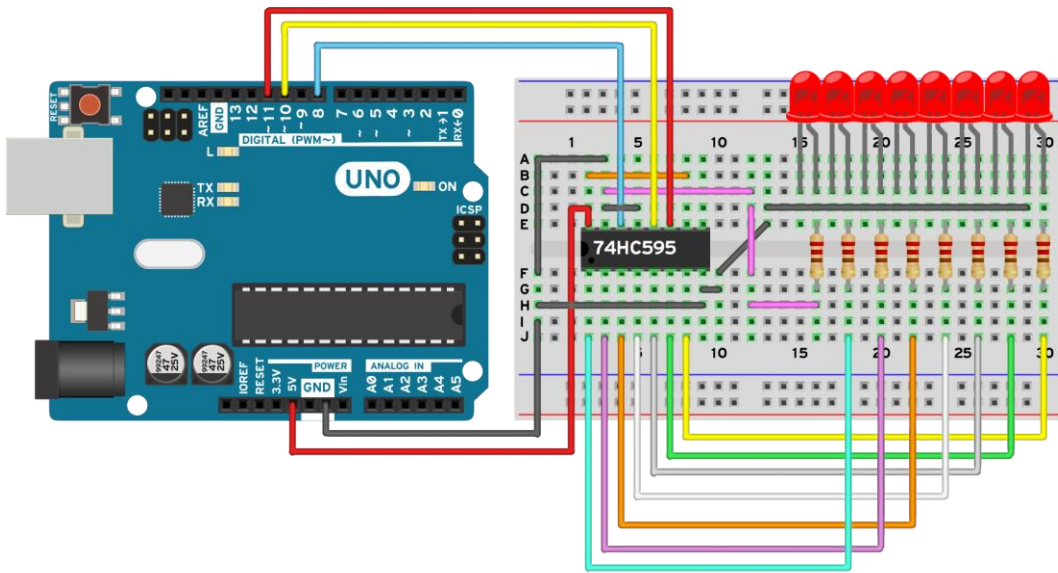
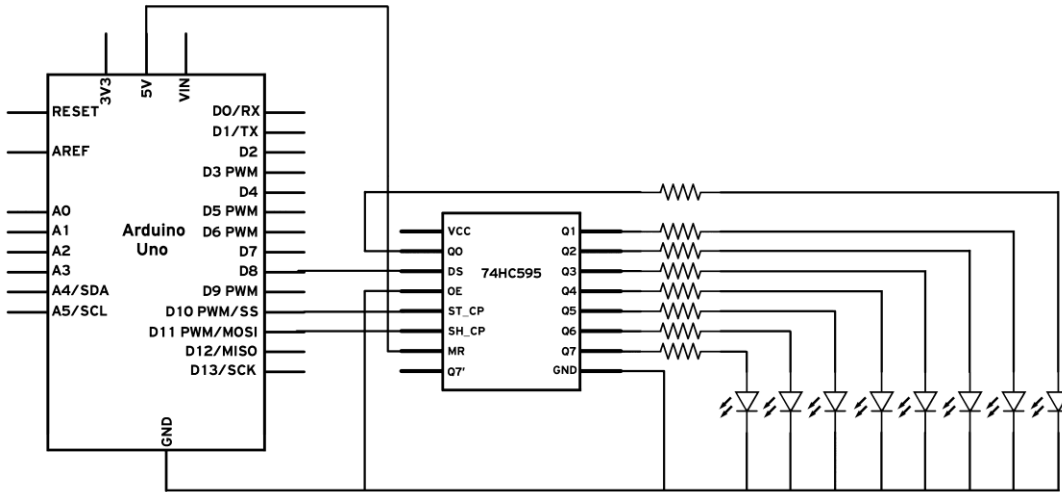


Chapter 6, More Output Devices

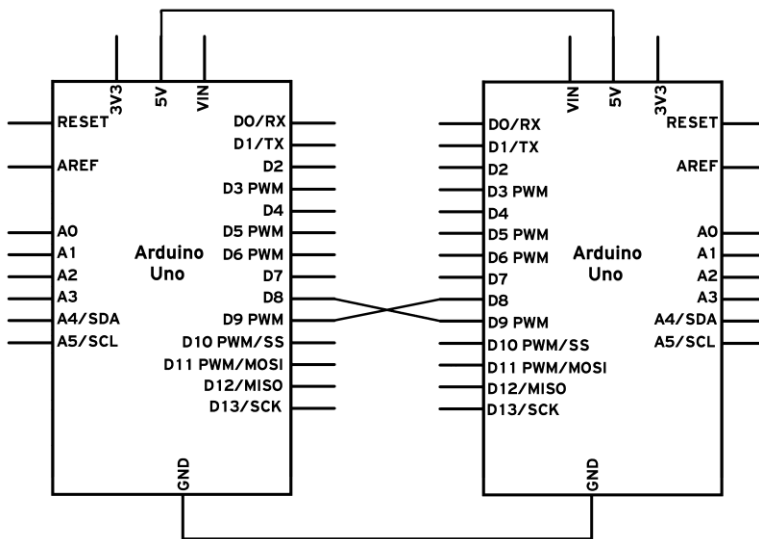


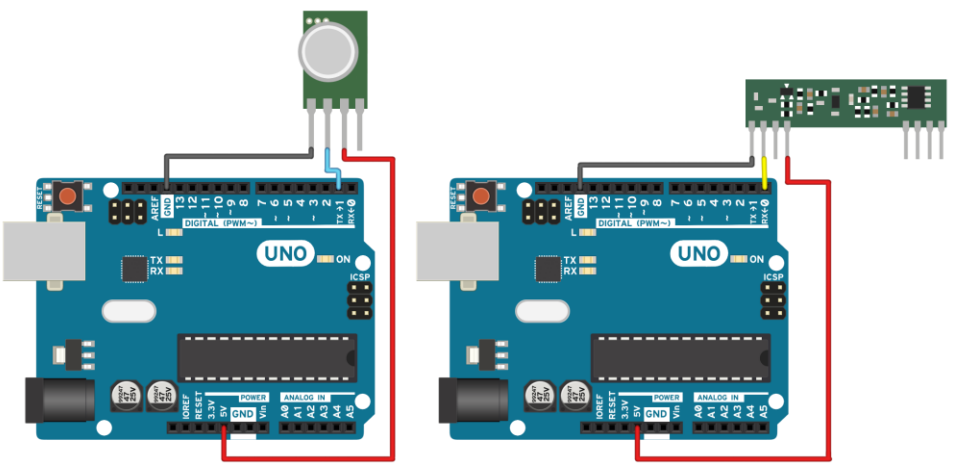
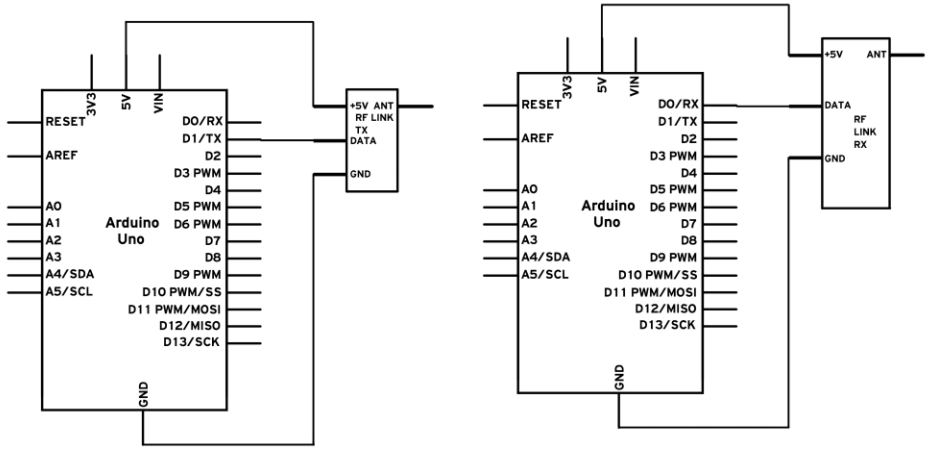
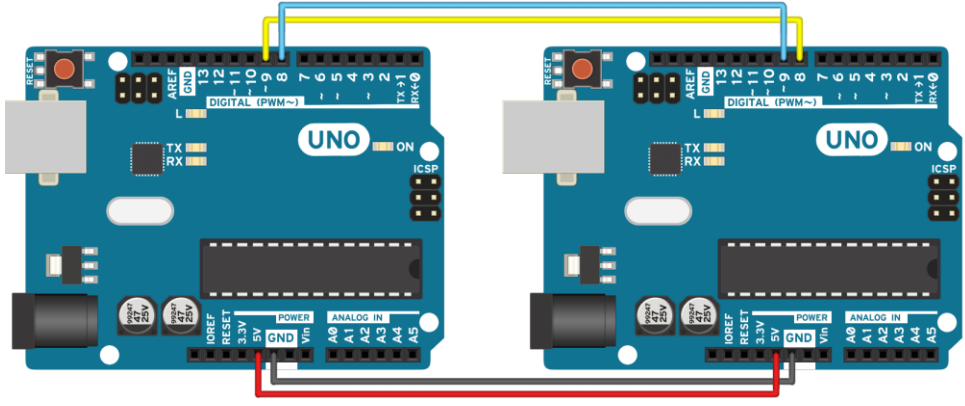


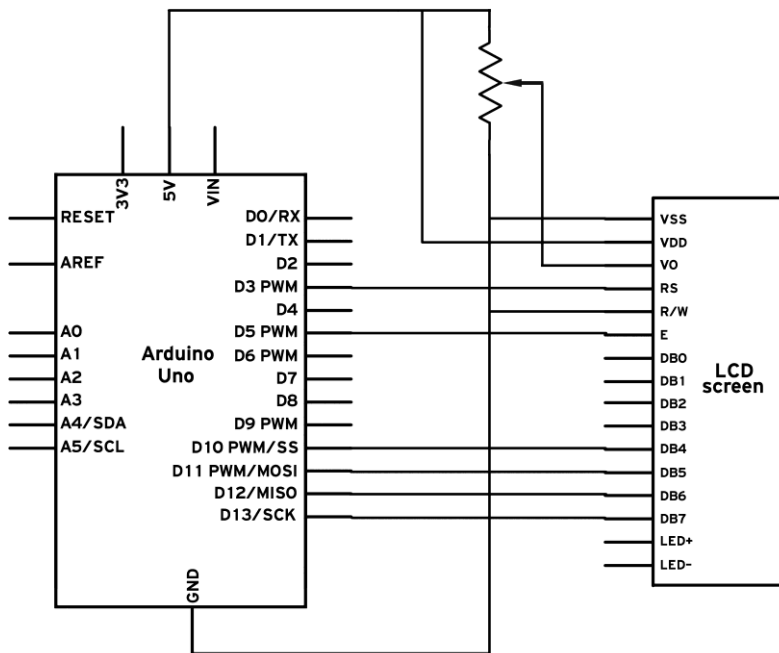
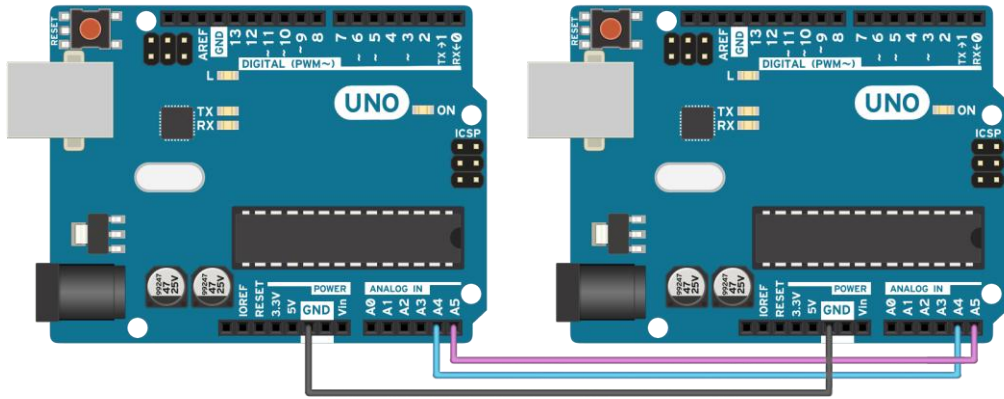
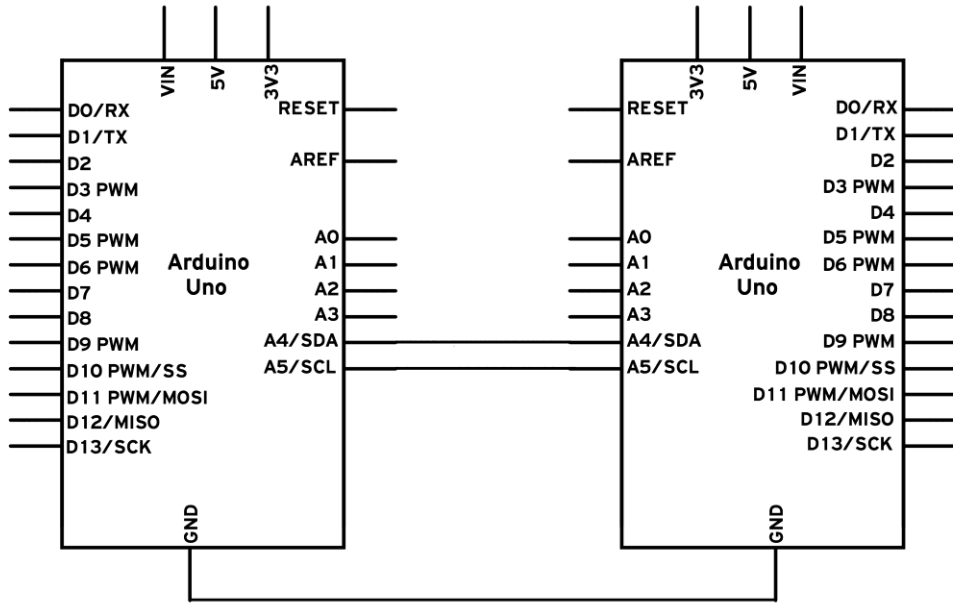


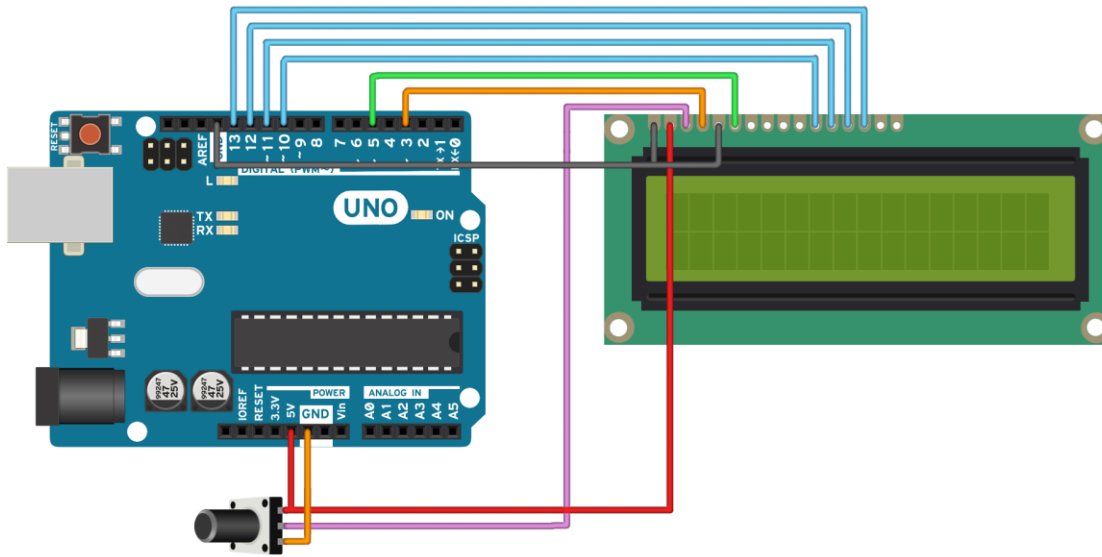


Chapter 7, Digital Communication with Arduino

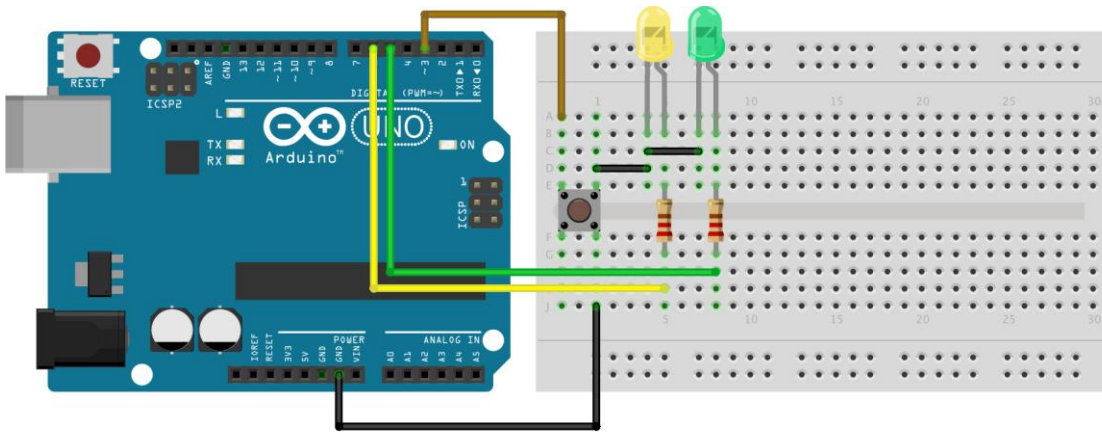




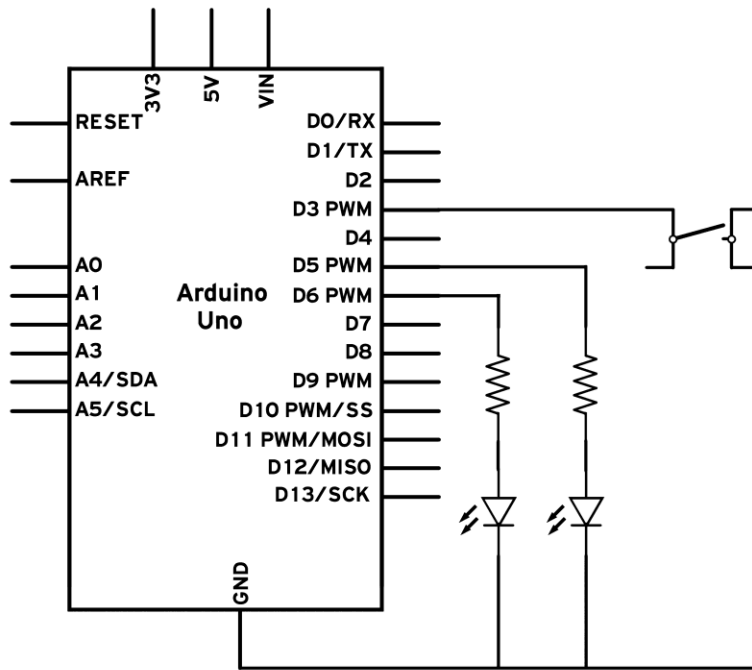




Chapter 8: Hacking

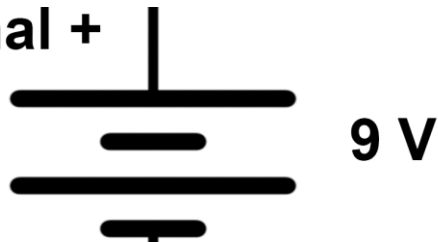


fritzing

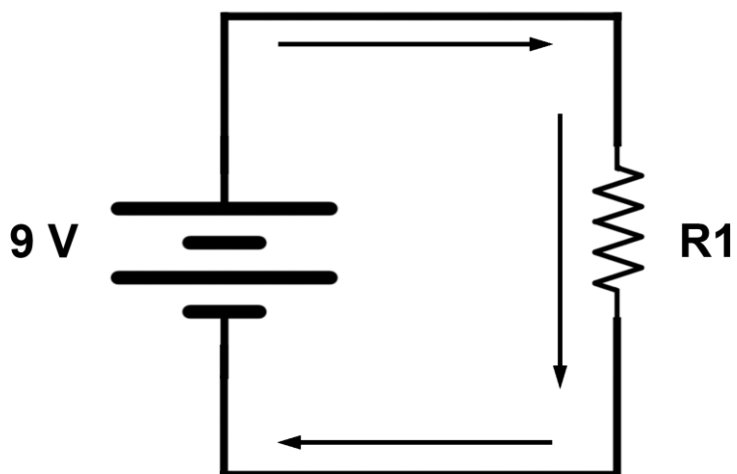


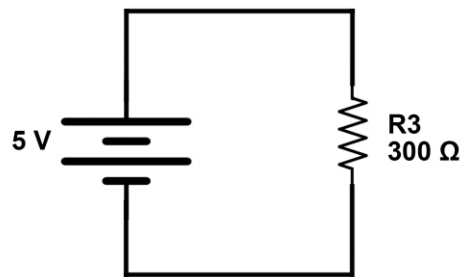
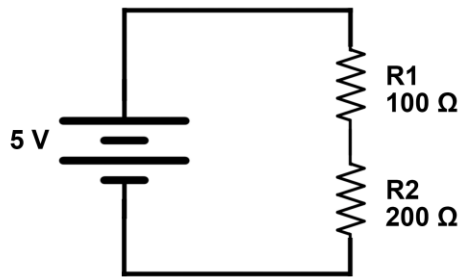
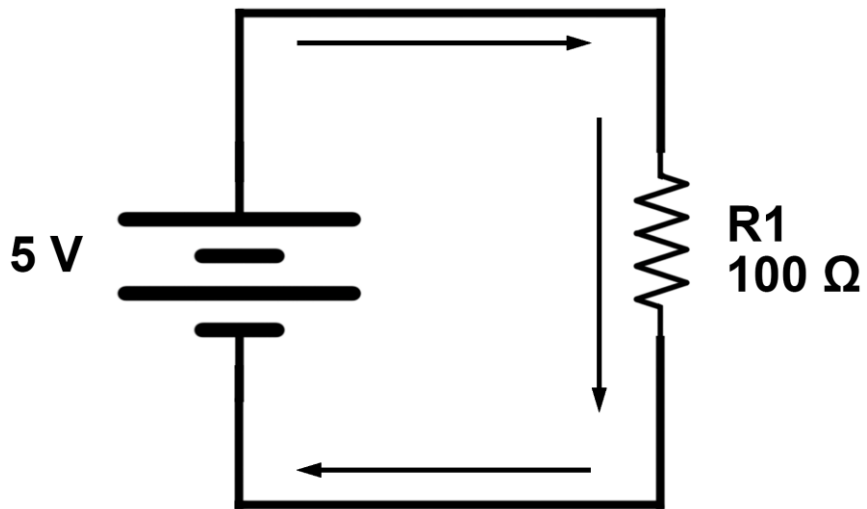
Appendix: Electronics - the Basics

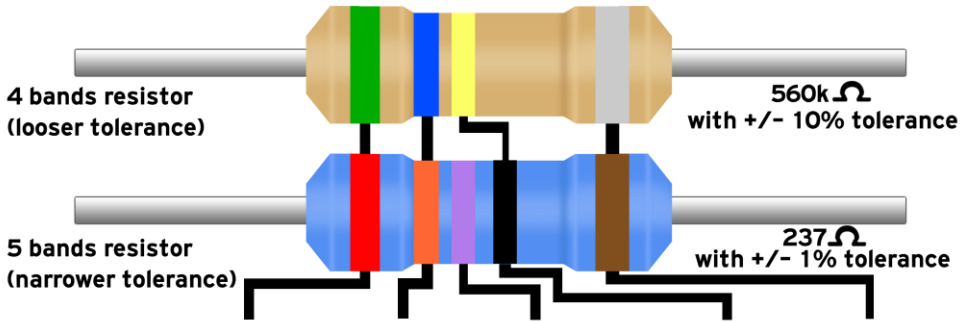
Positive Terminal +



Negative Terminal -







Color	1st Band	2nd Band	3rd Band	Multiplier	Tolerance
Black	0	0	0	x 1 Ω	
Brown	1	1	1	x 10 Ω	+/- 1%
Red	2	2	2	x 100 Ω	+/- 2%
Orange	3	3	3	x 1K Ω	
Yellow	4	4	4	x 10K Ω	
Green	5	5	5	x 100k Ω	+/- 5%
Blue	6	6	6	x 1M Ω	+/- .25%
Violet	7	7	7	x 10M Ω	+/- .1%
Grey	8	8	8		+/- .05%
White	9	9	9		
Gold				x .1	+/- 5%
Silver				x .01	+/- 10%

