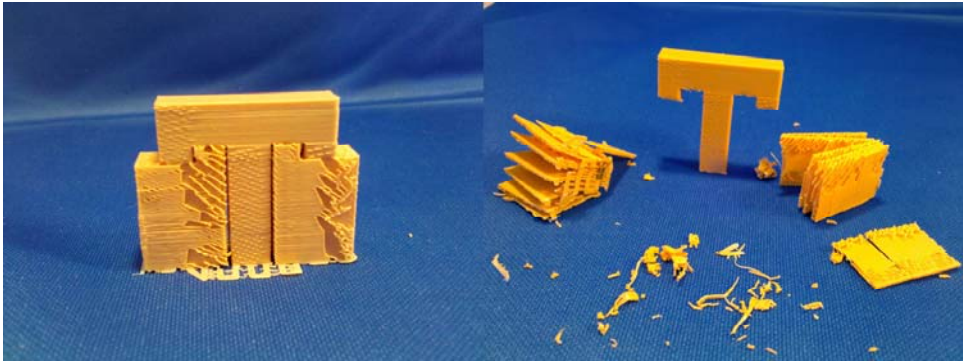
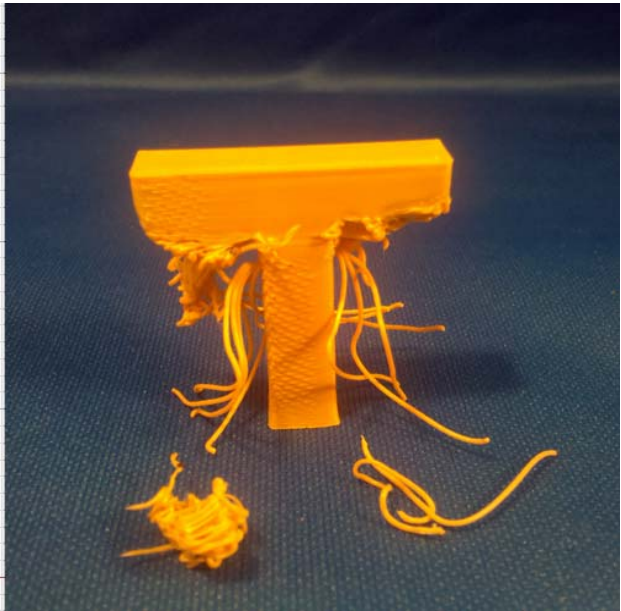
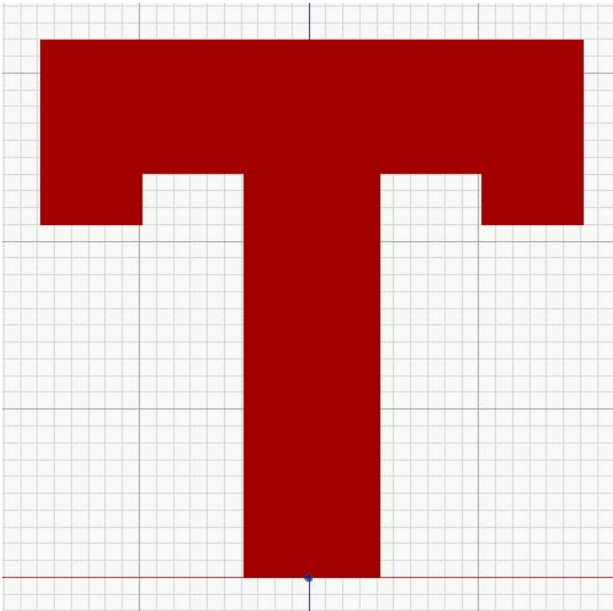
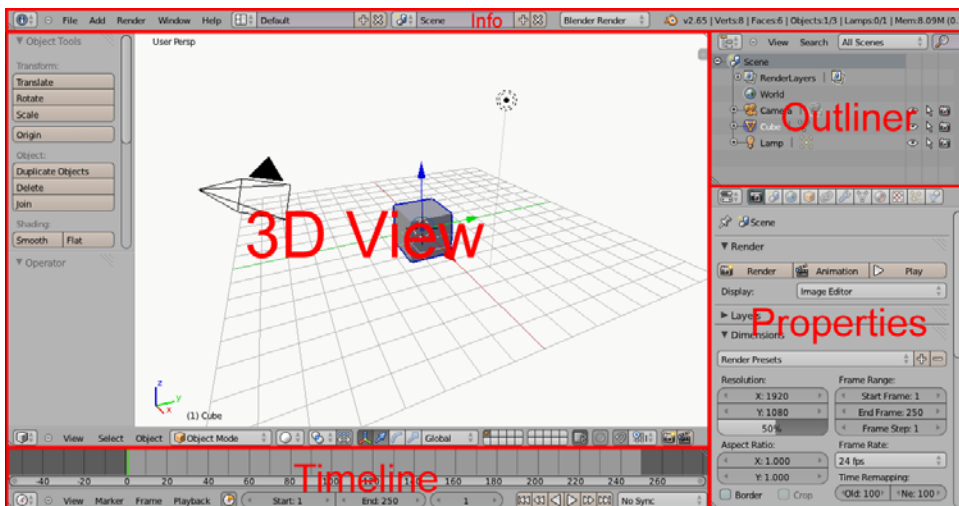
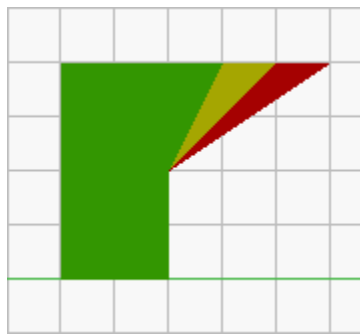
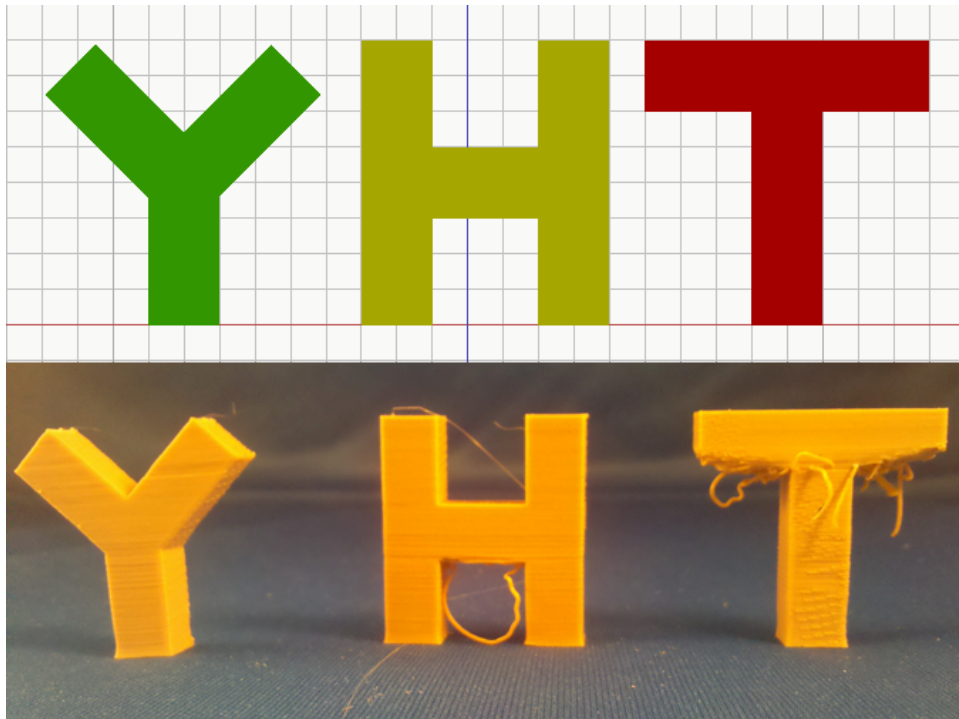
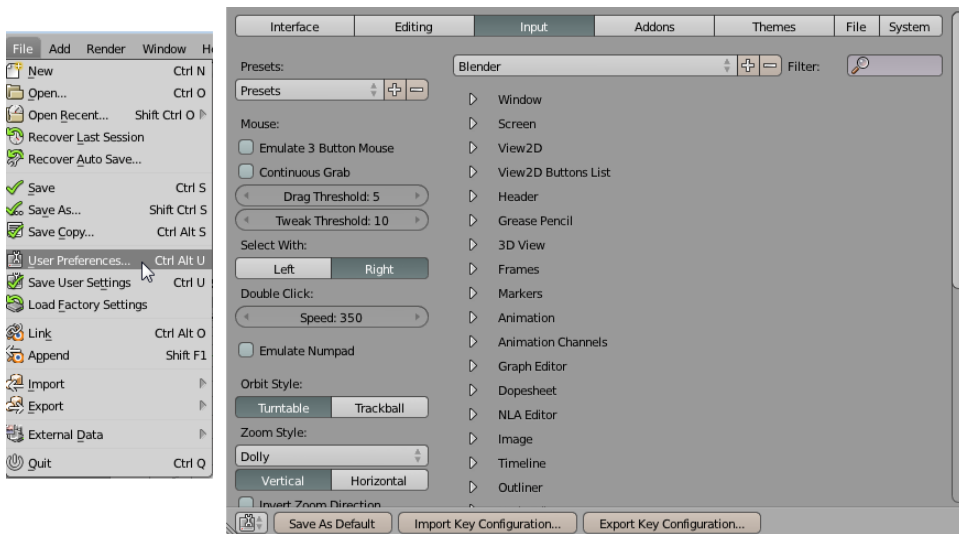
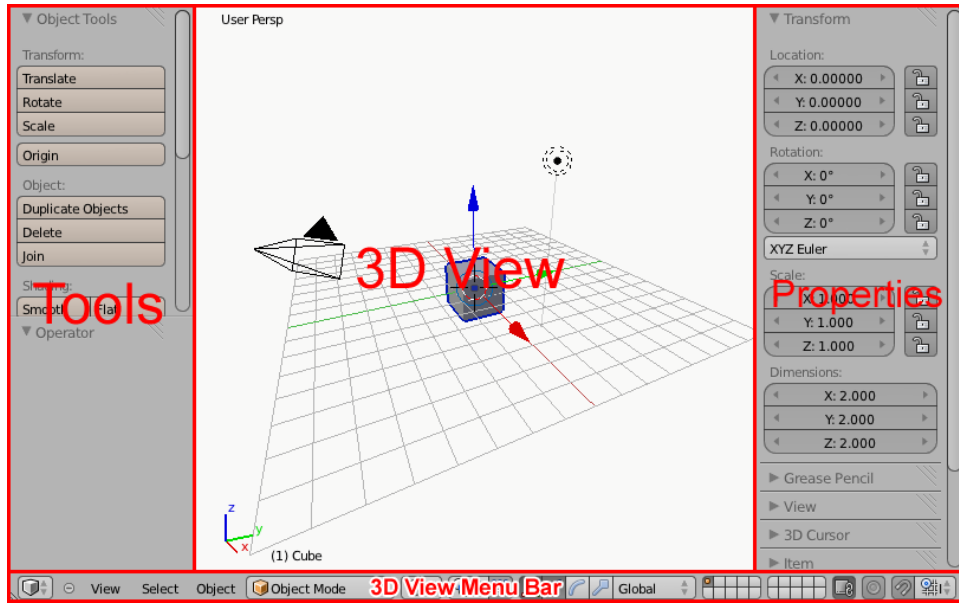
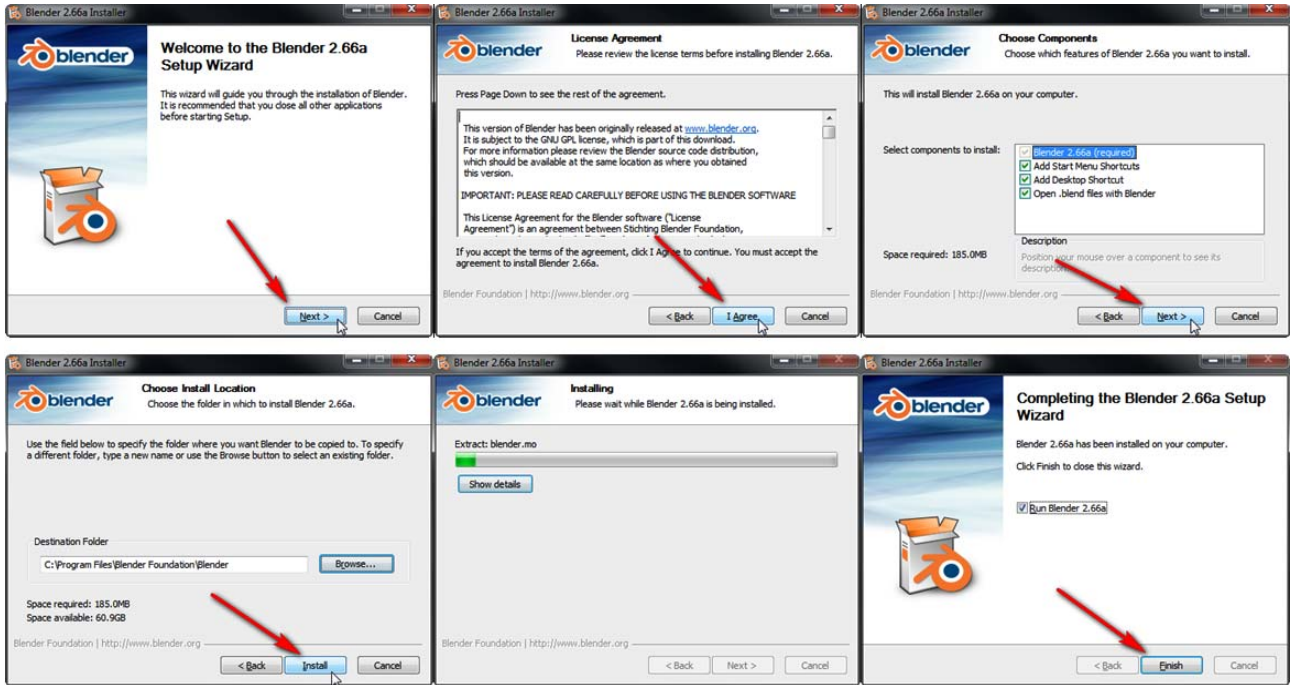


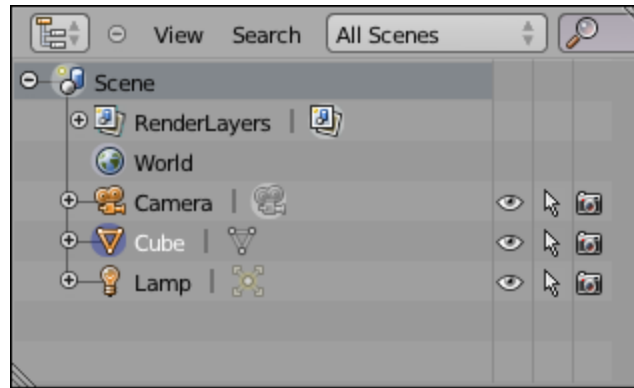
Chapter 1: Design Tools and Basics



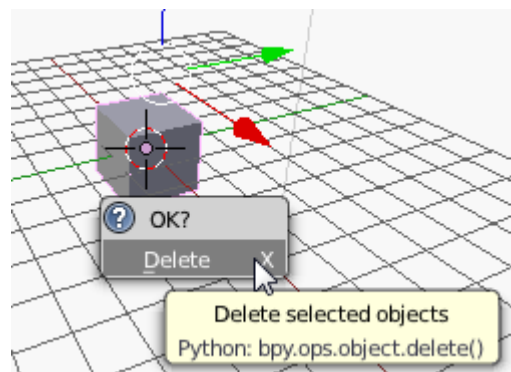
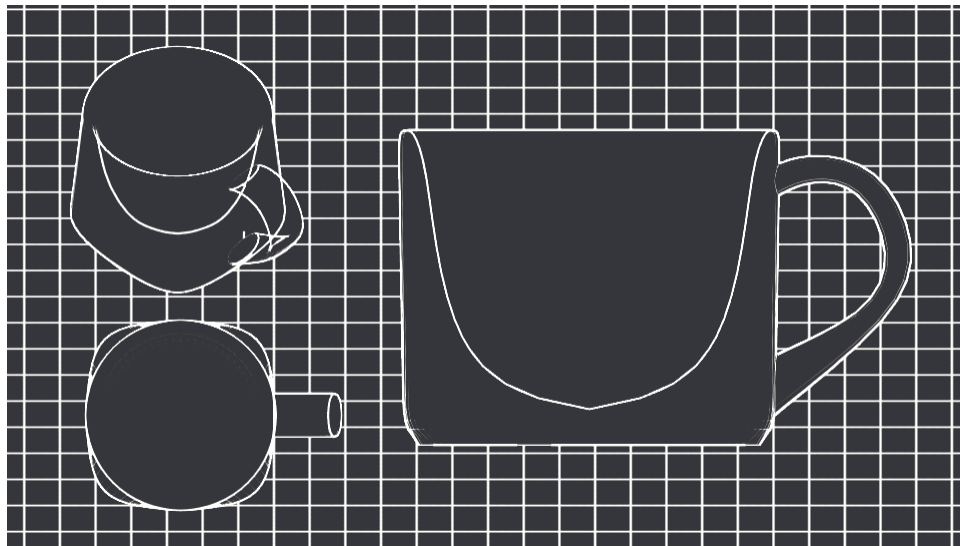


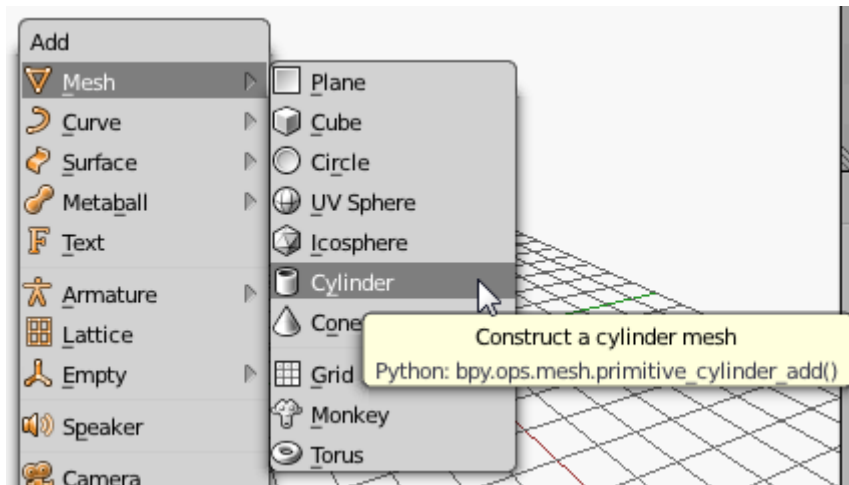
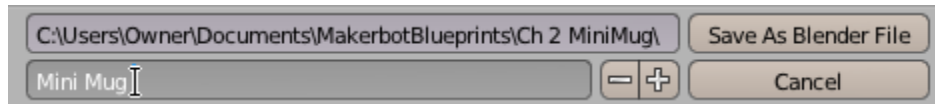
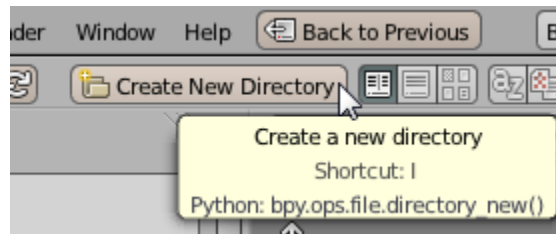
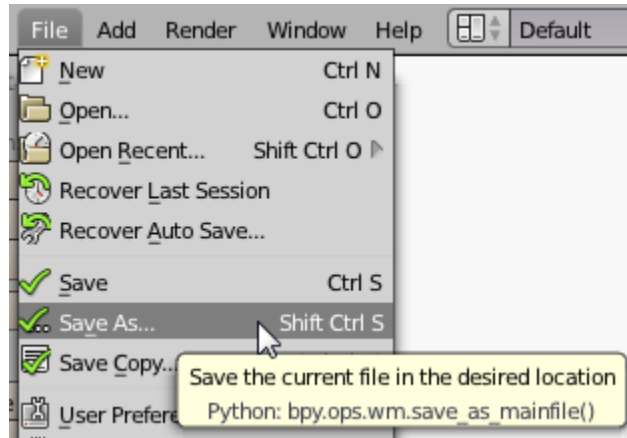


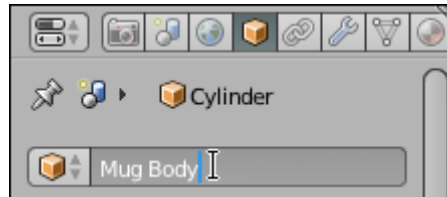
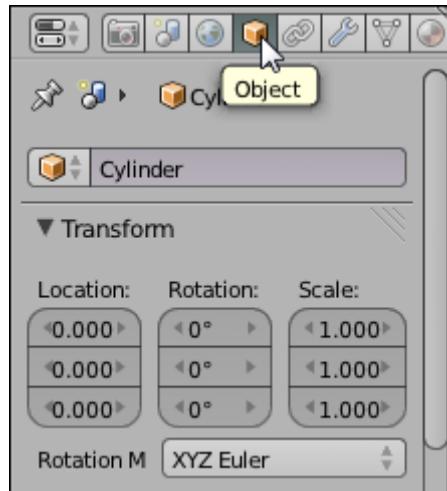
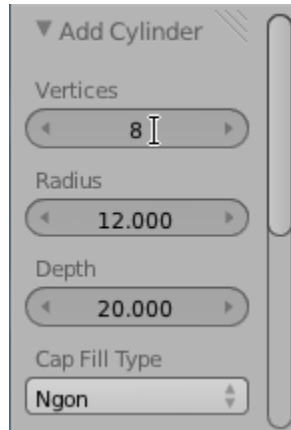


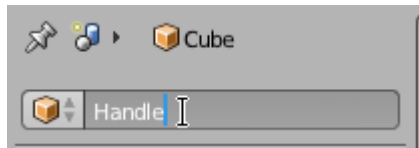
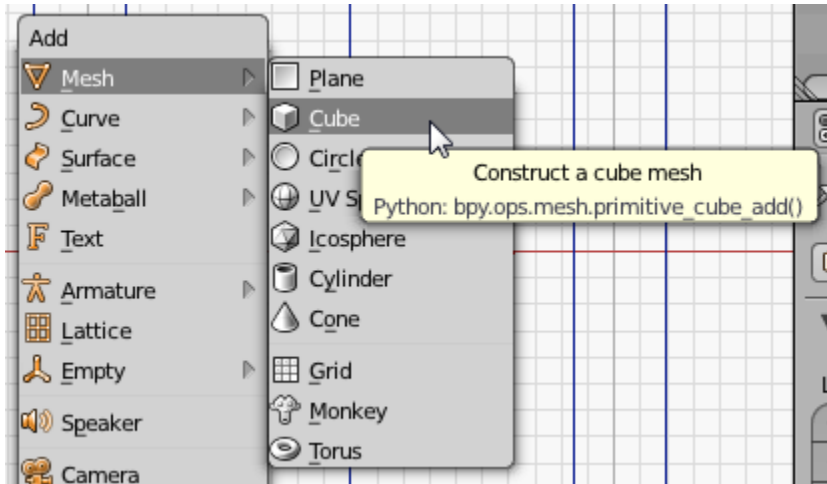
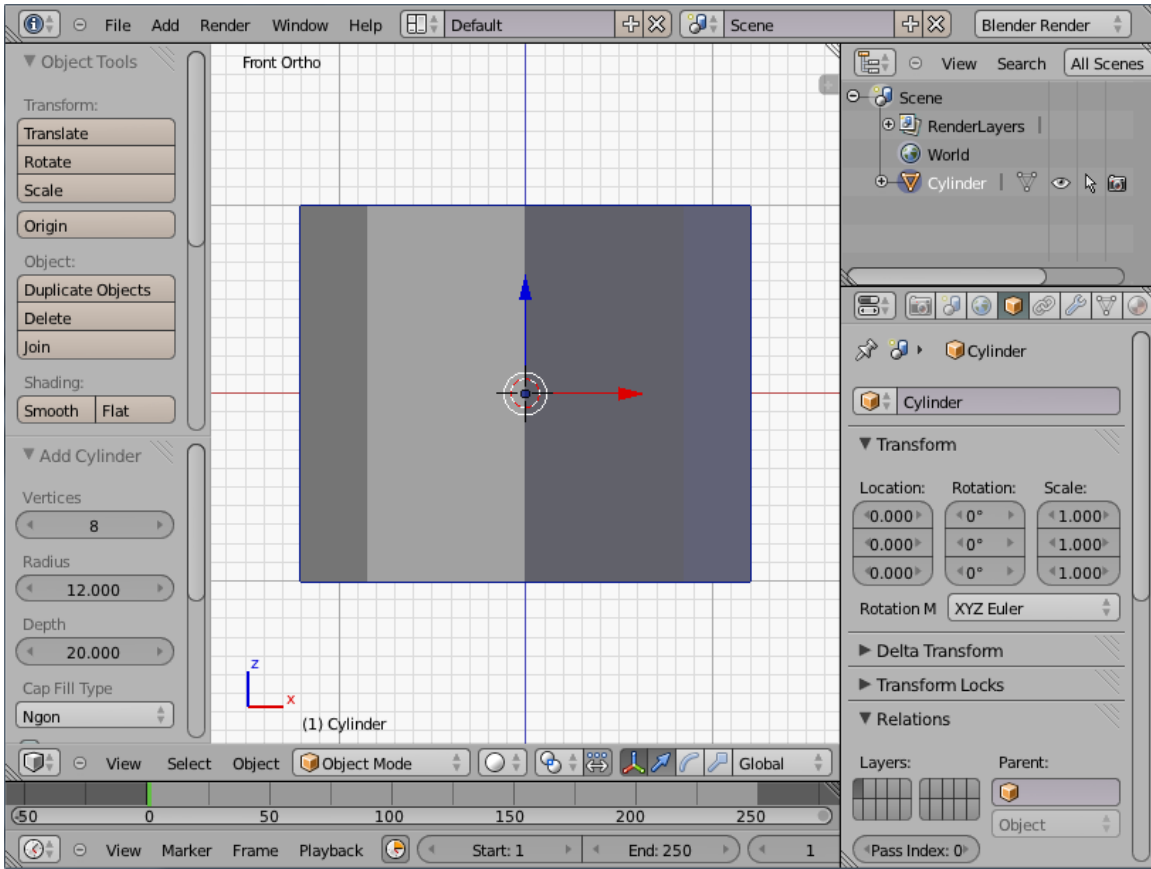


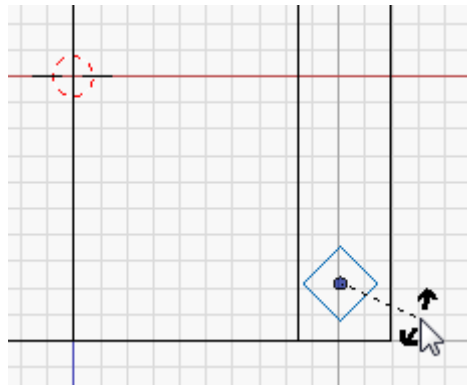
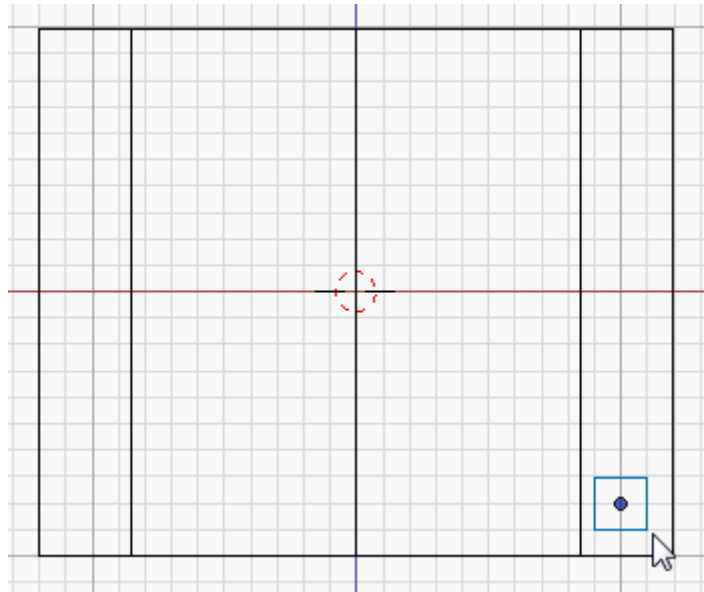
Chapter 2: Mini Mug

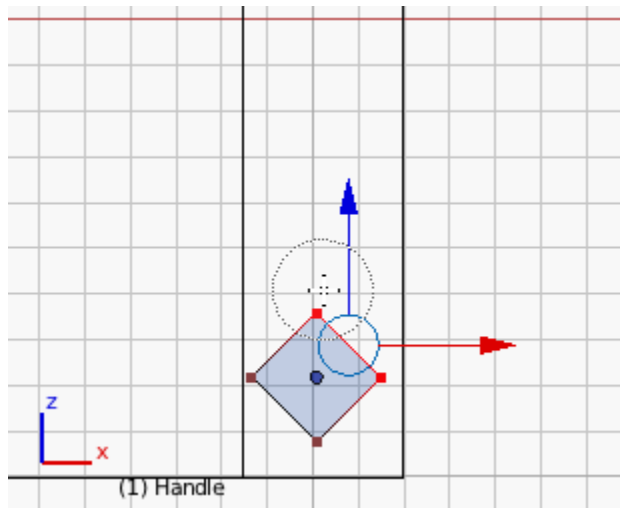
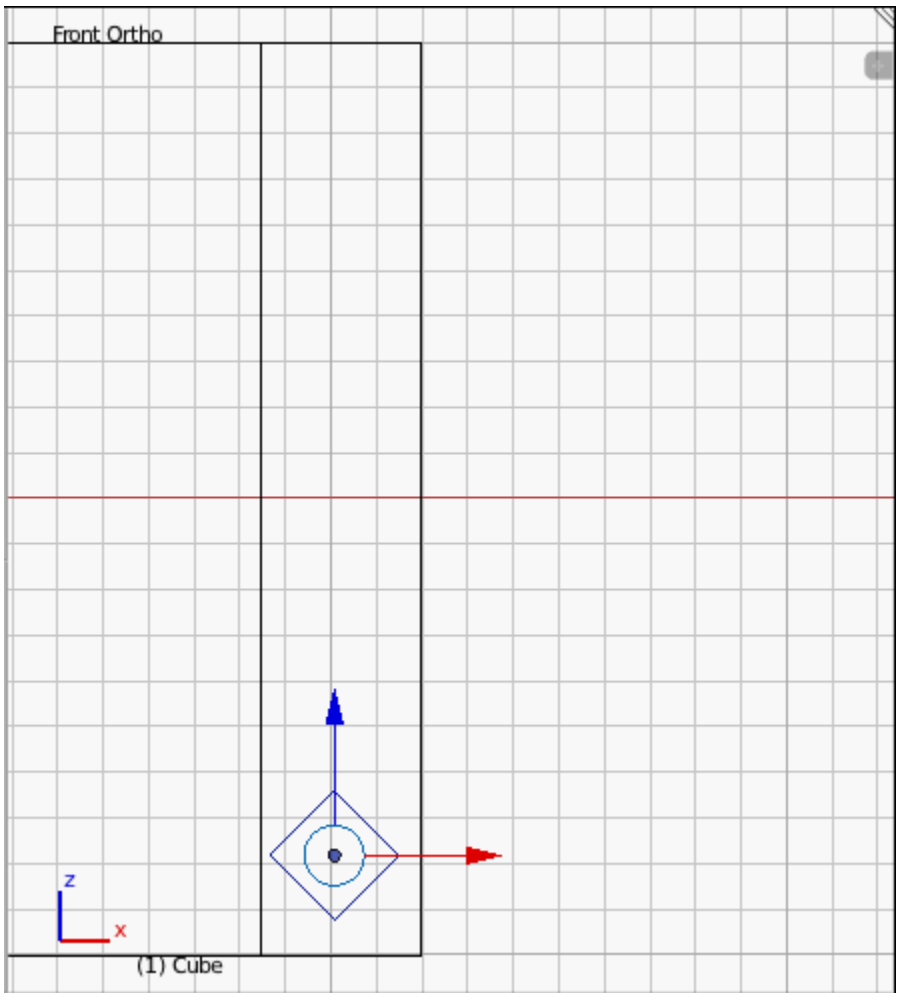


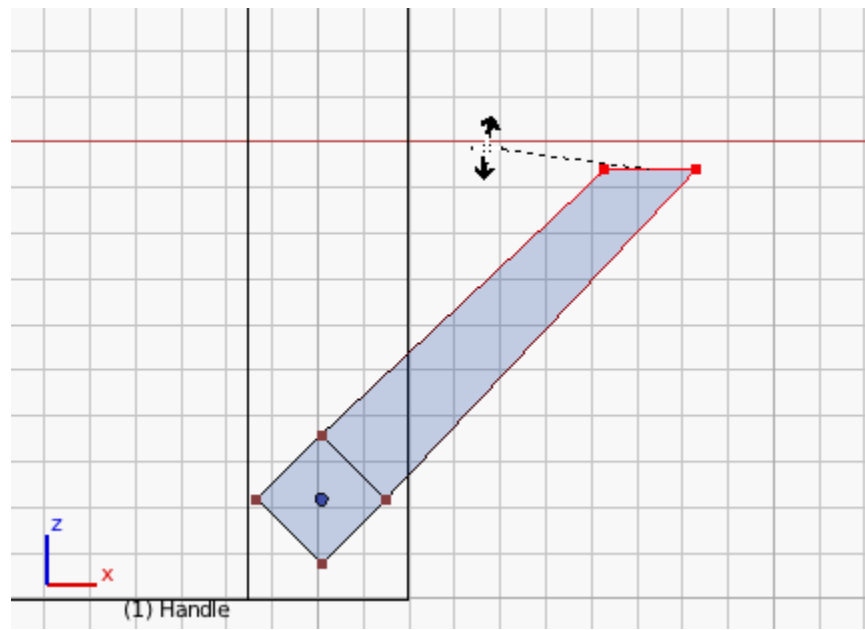
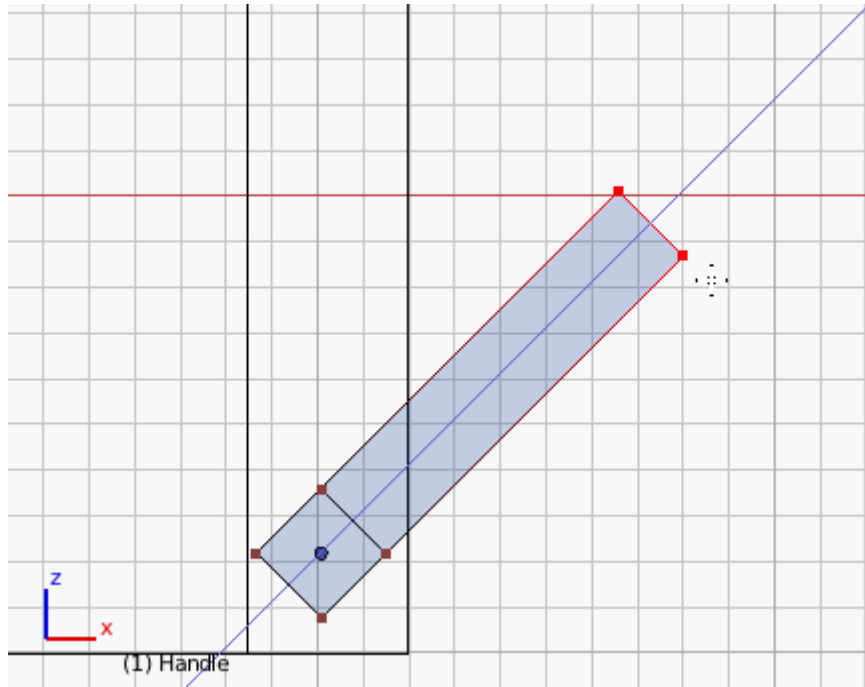


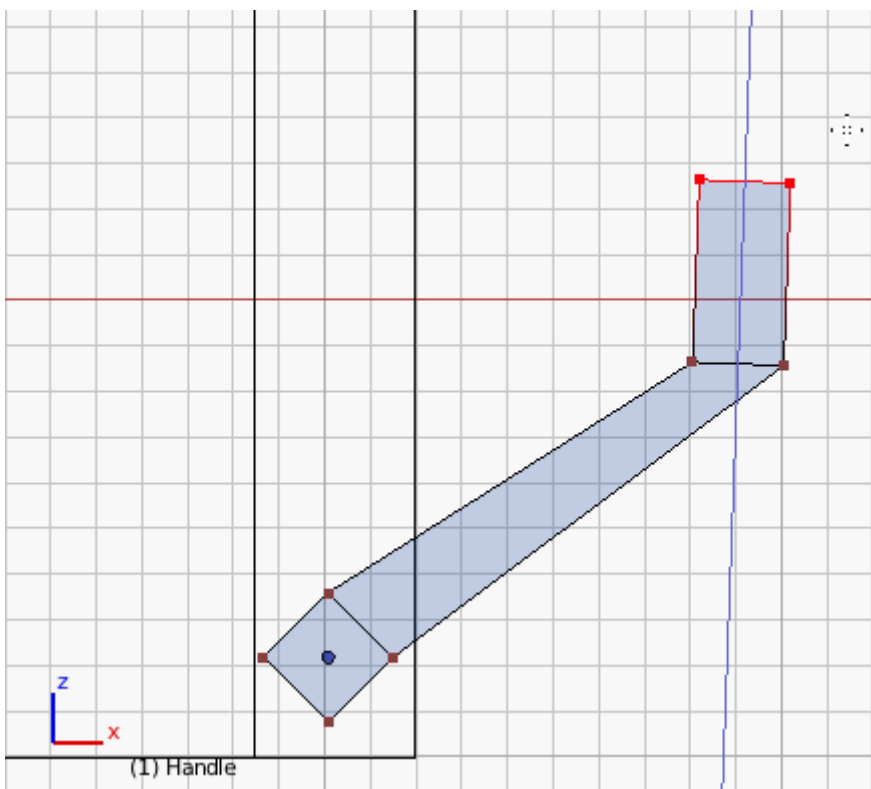
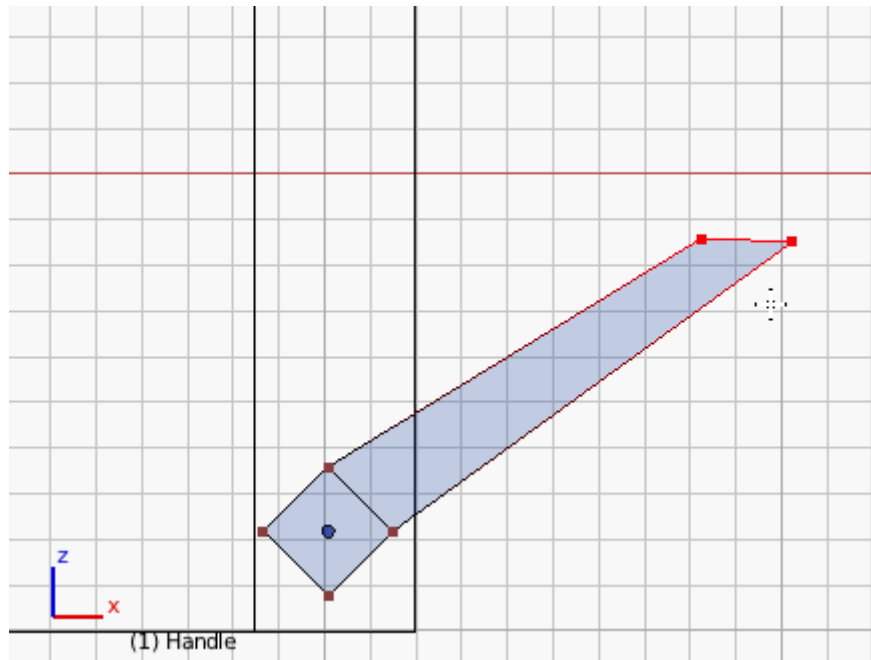


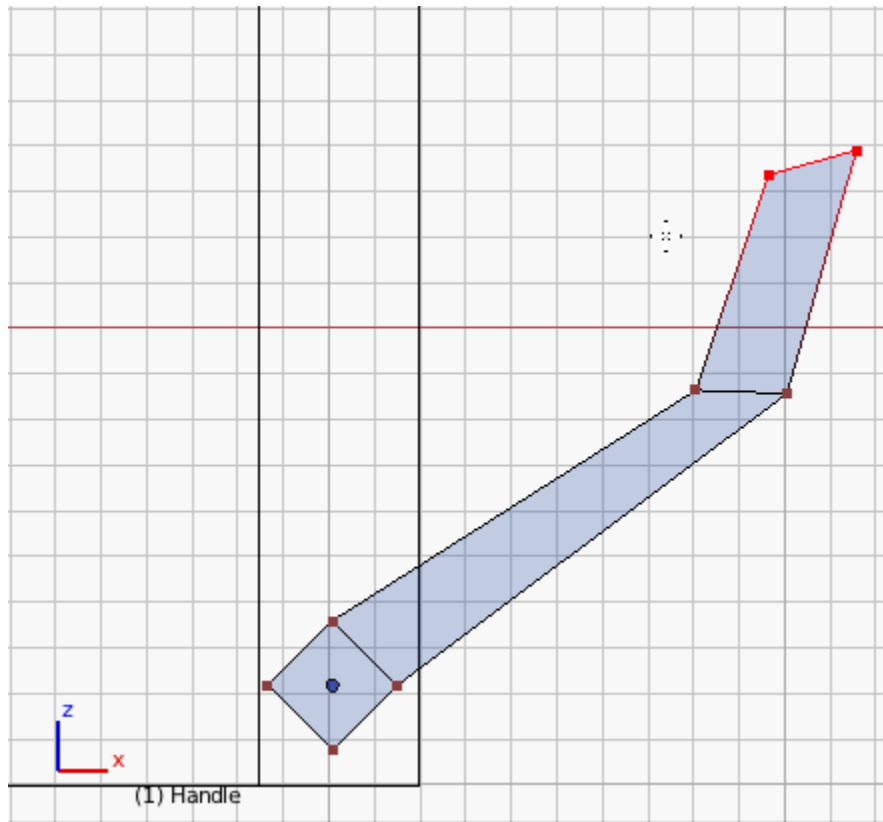


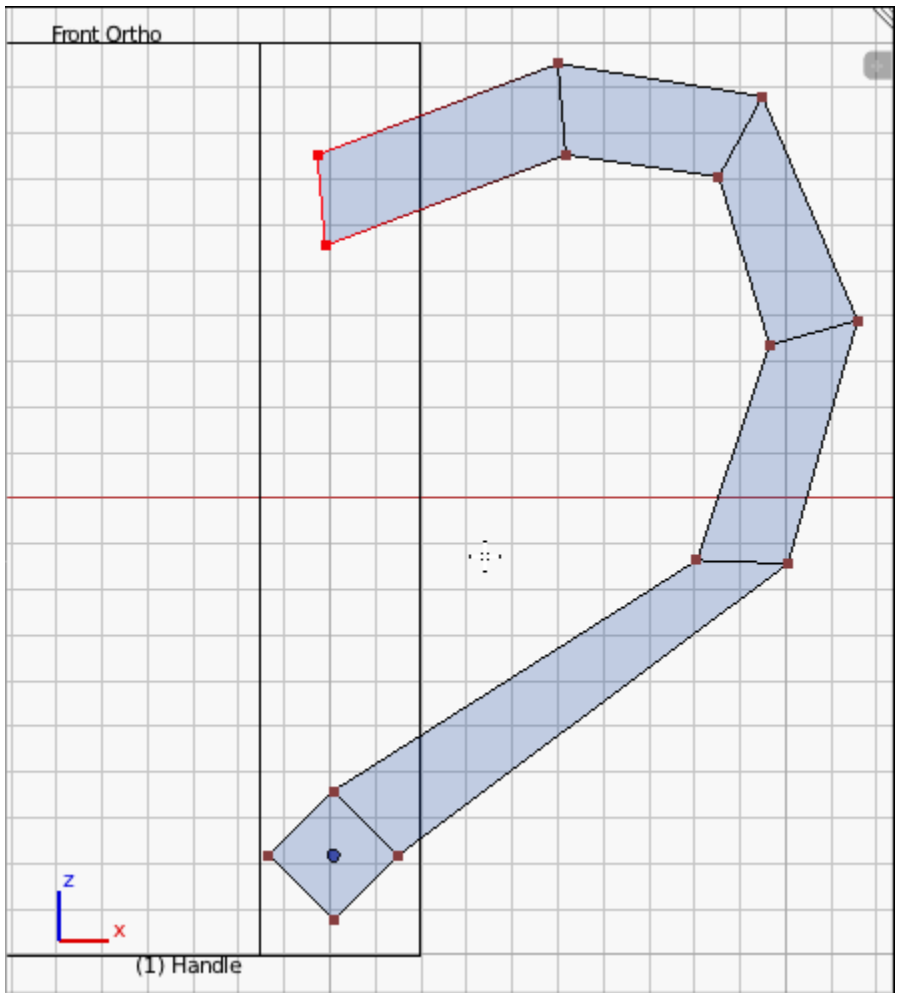


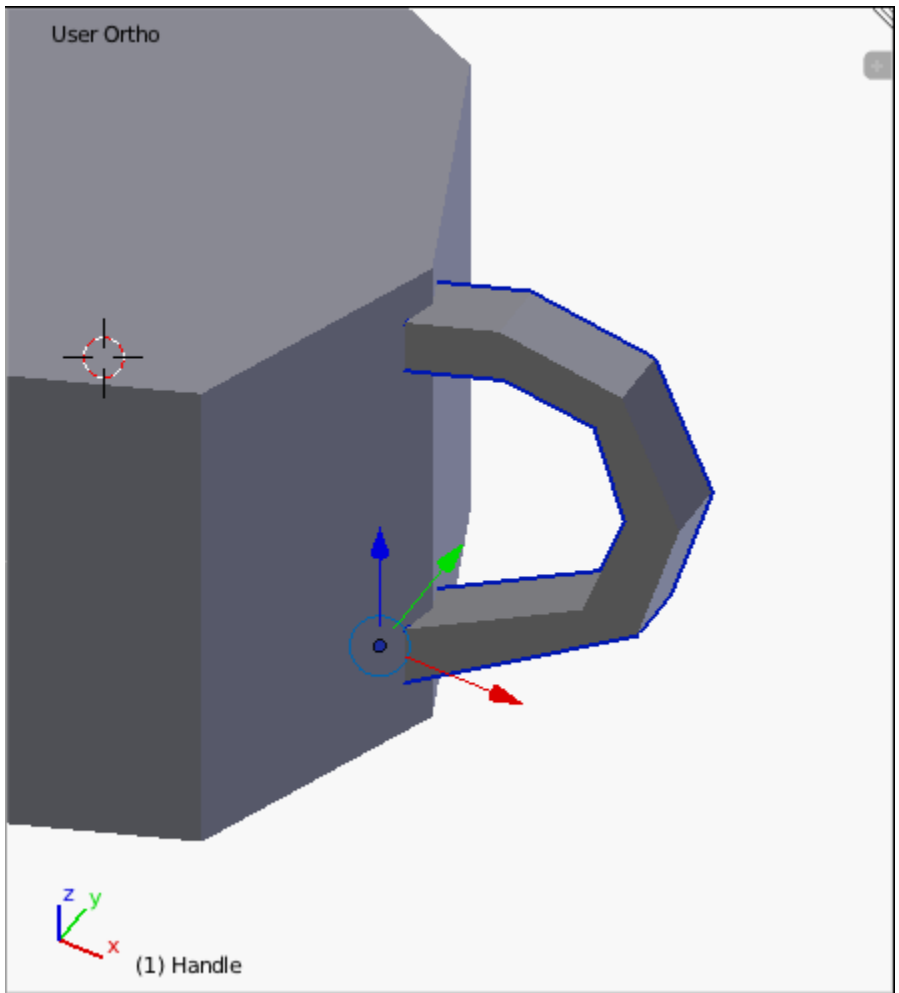


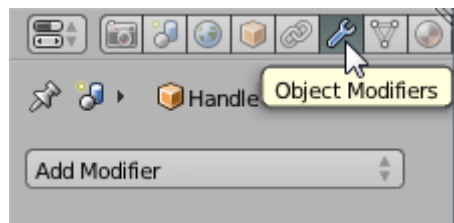
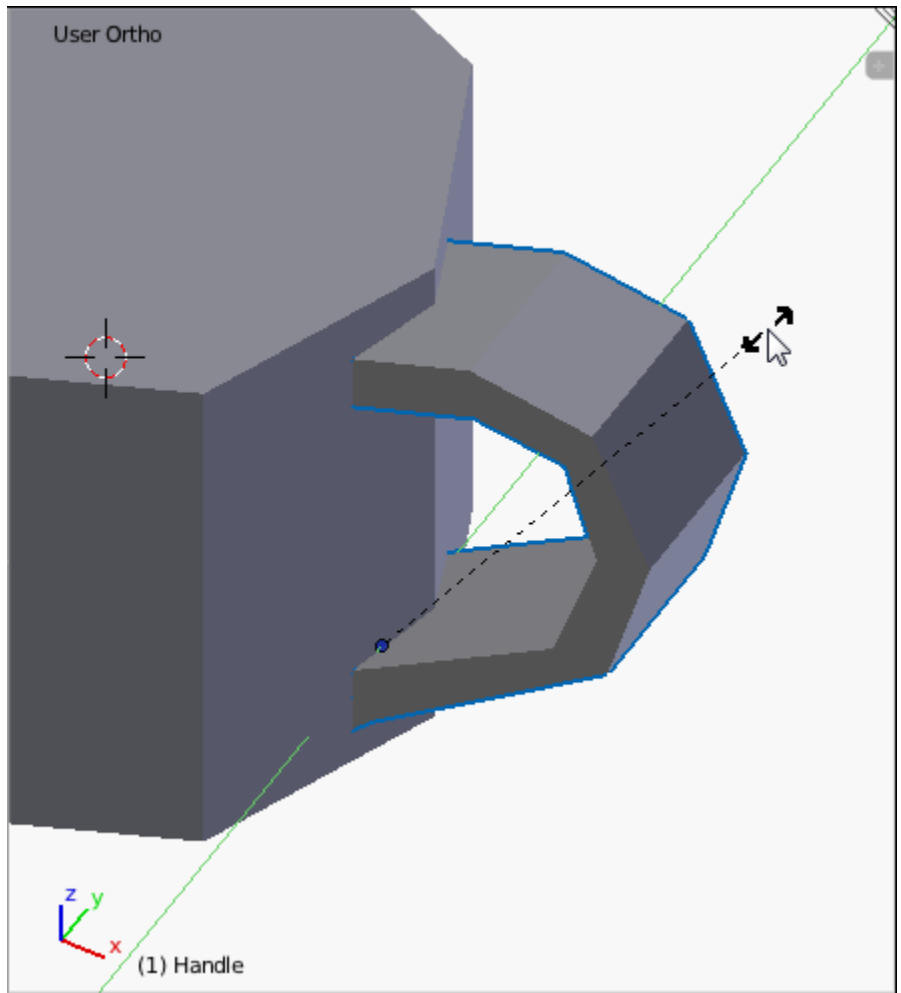


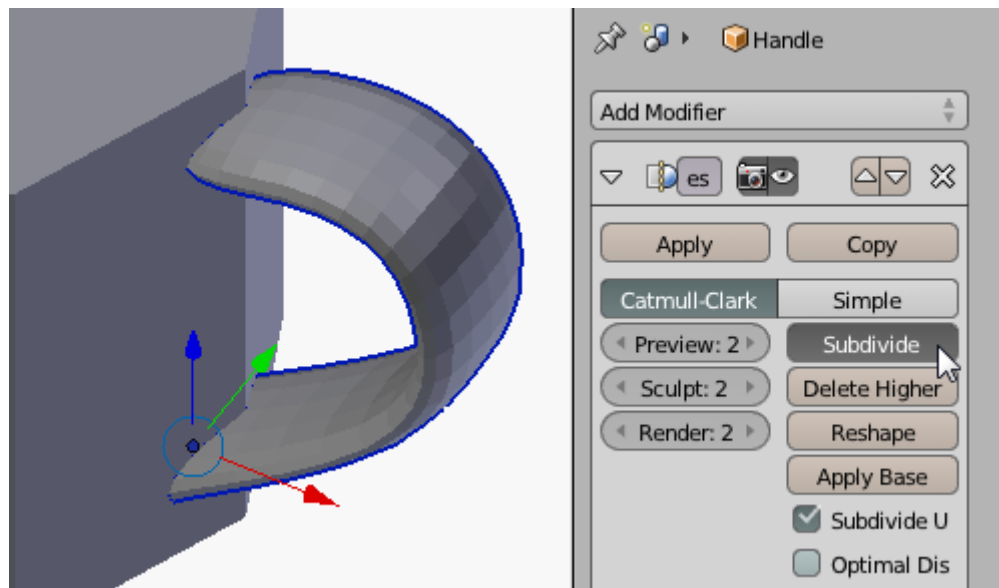
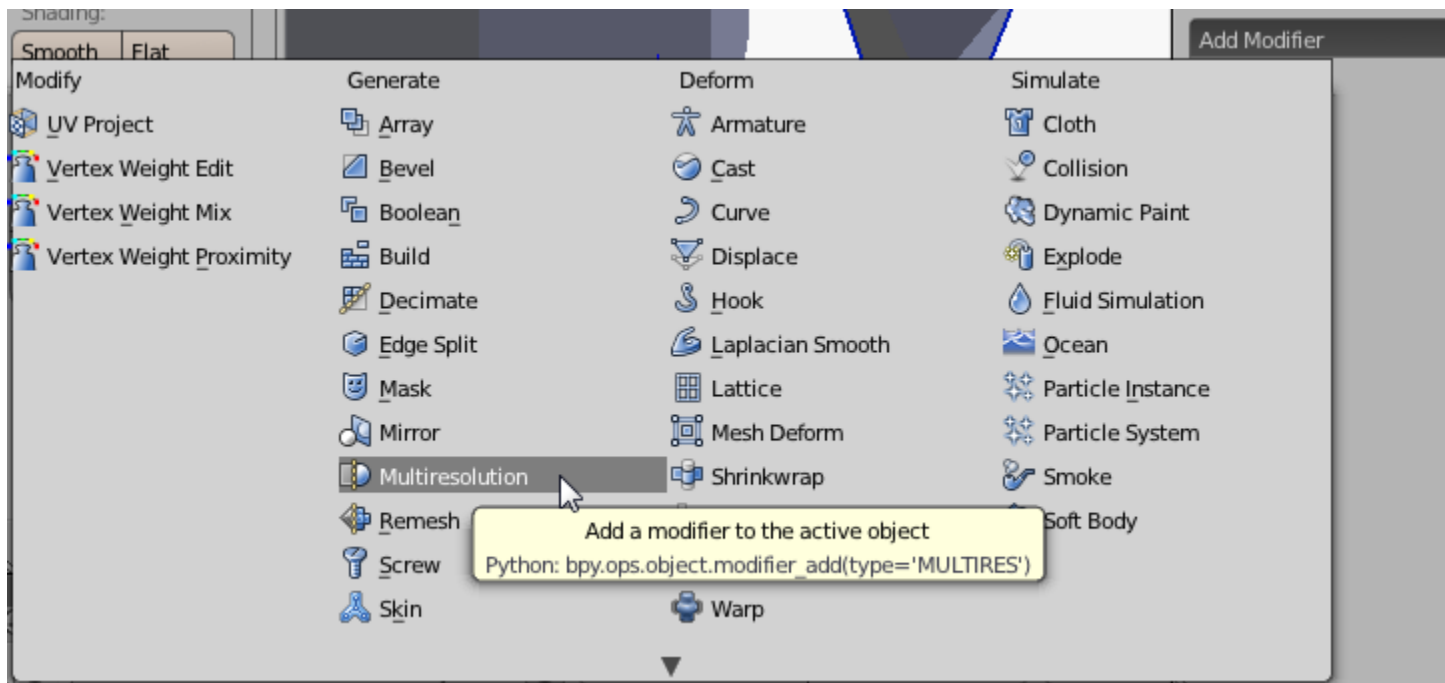


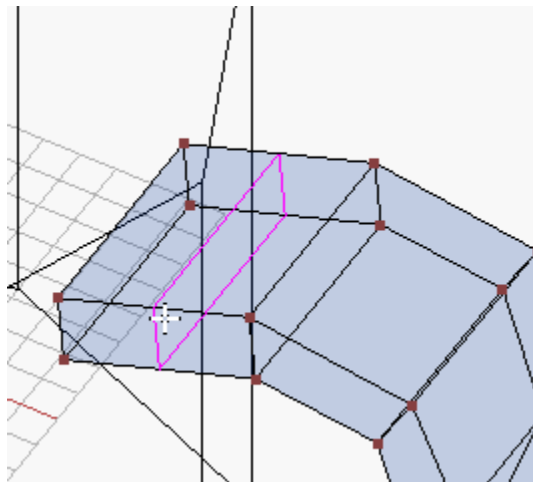
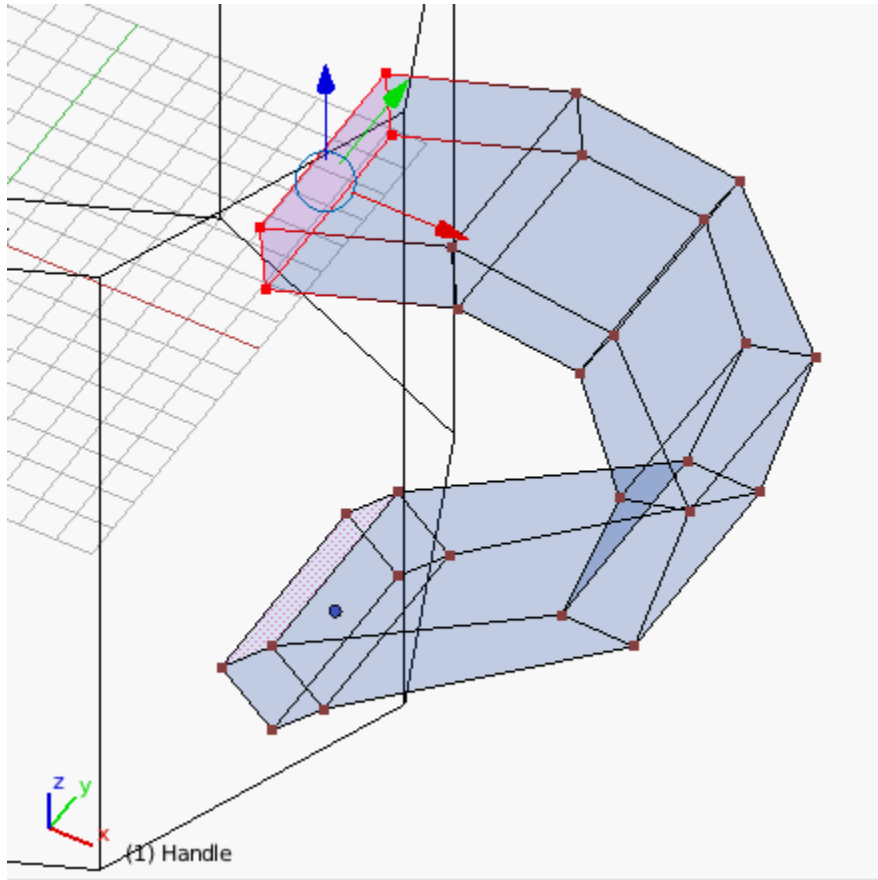


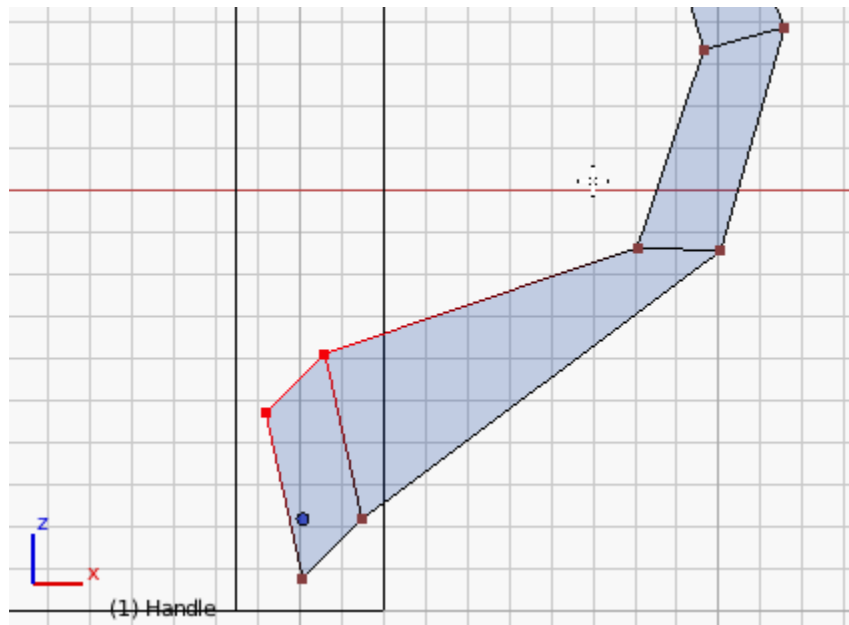
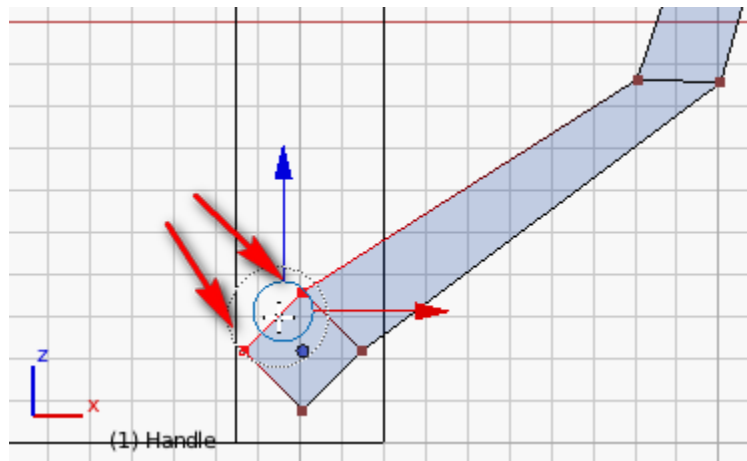
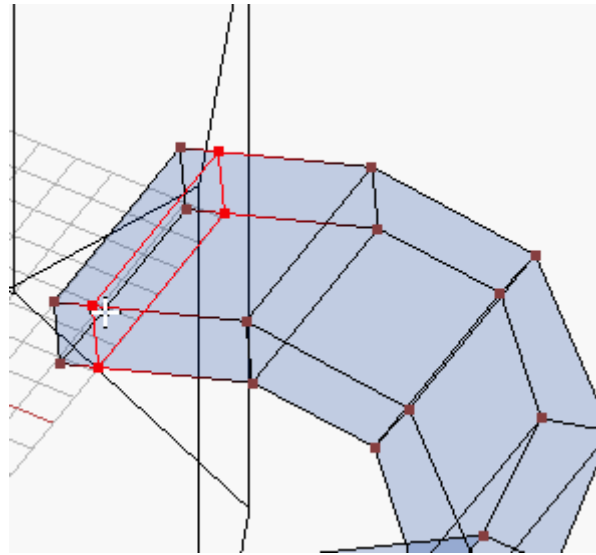


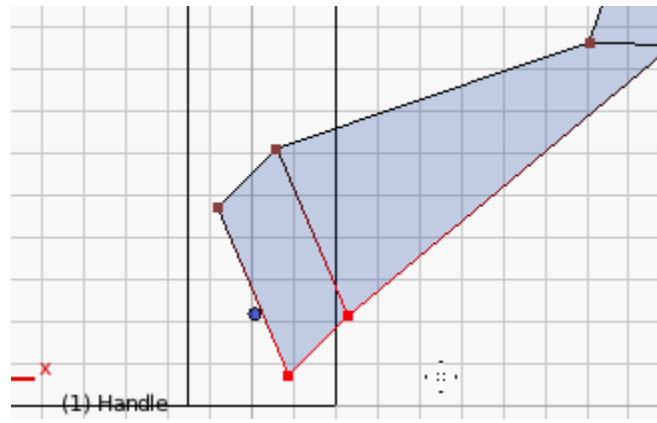
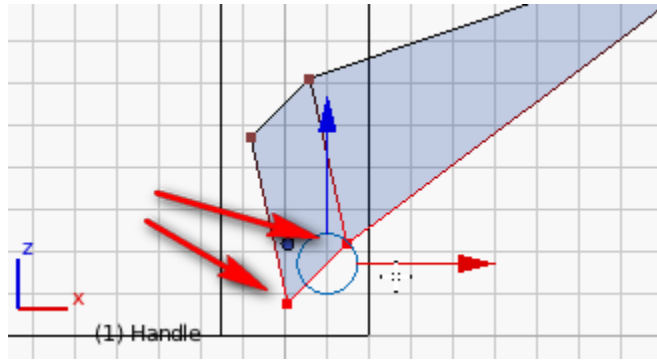


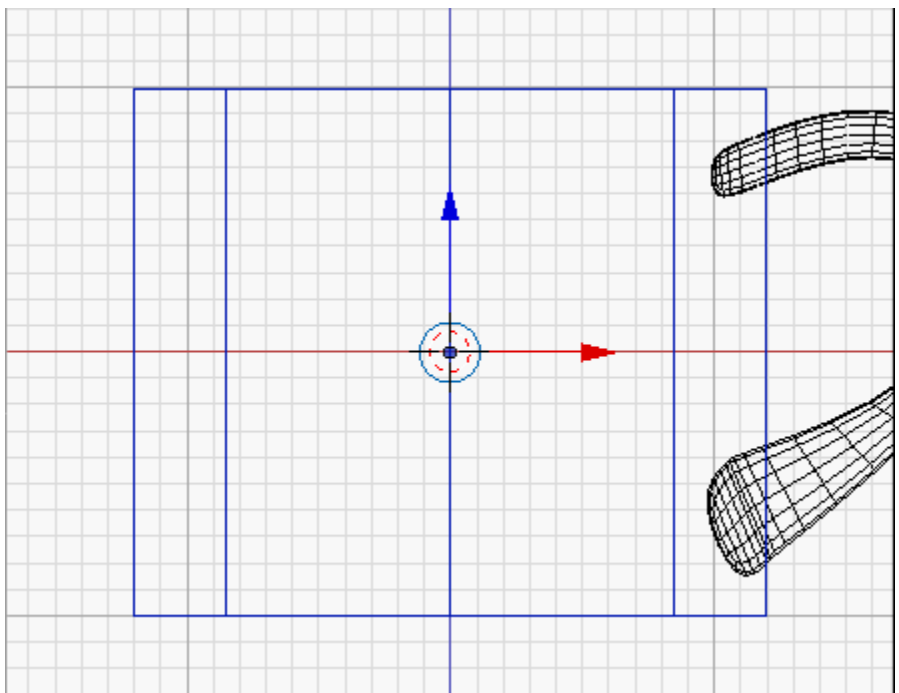
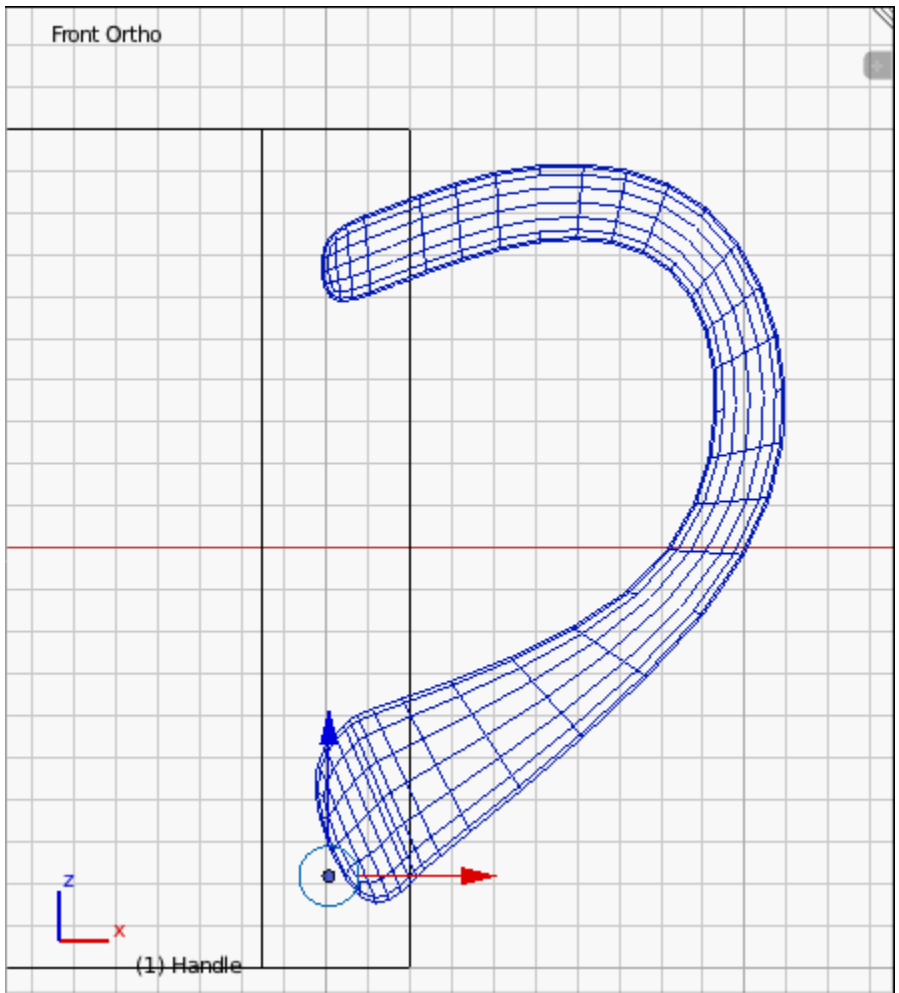


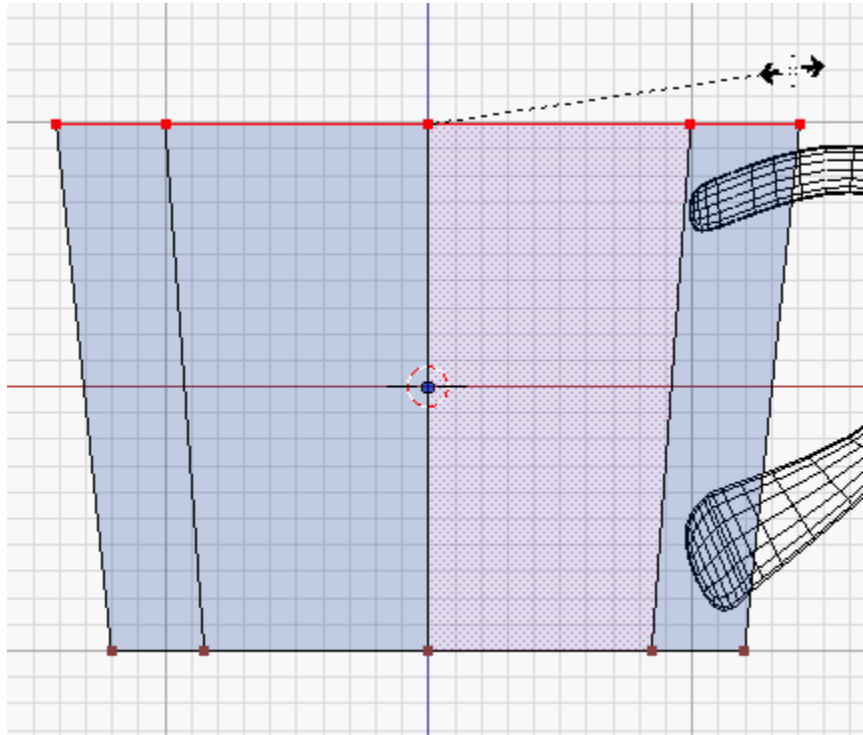
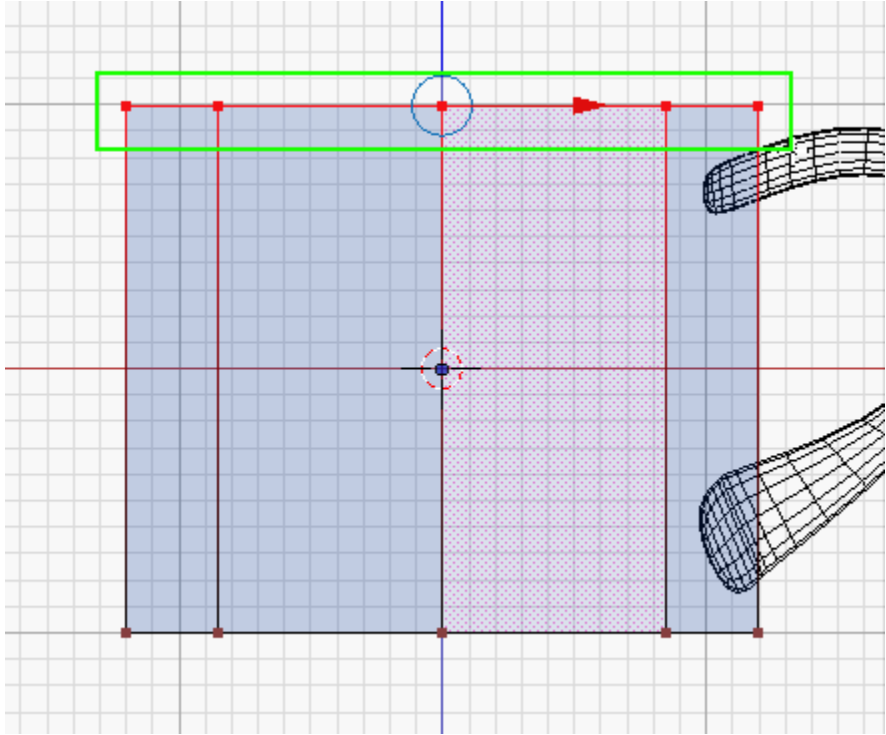


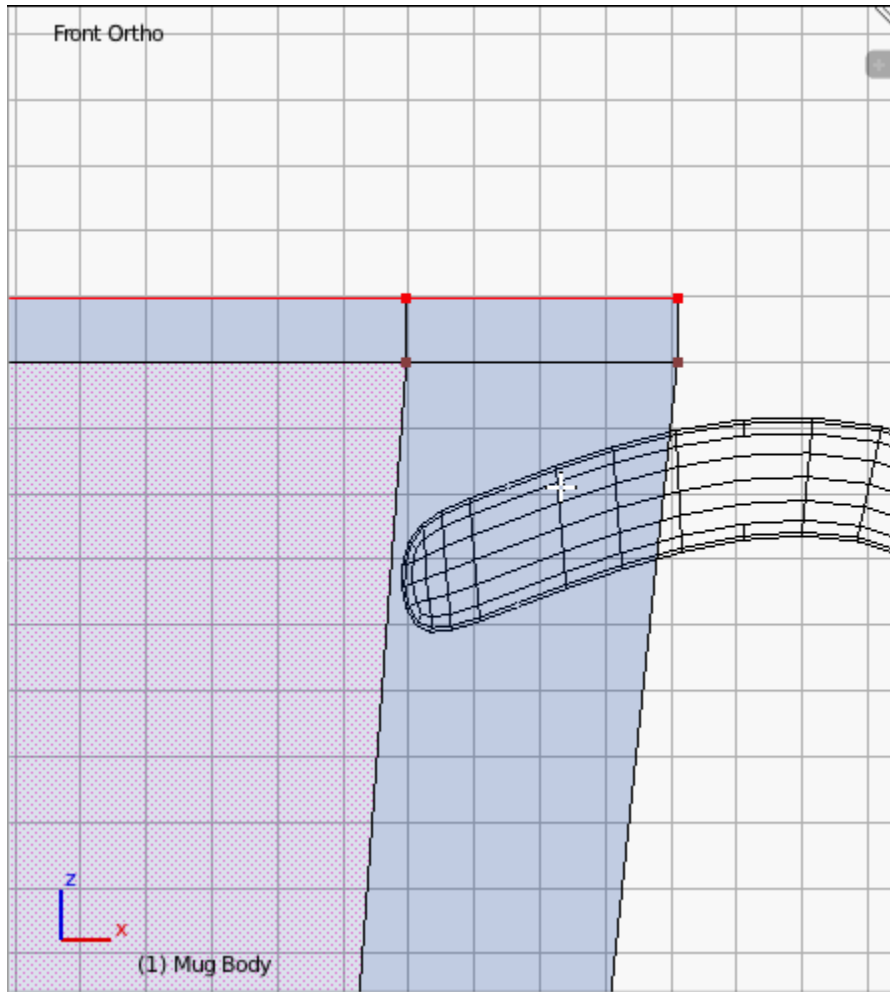
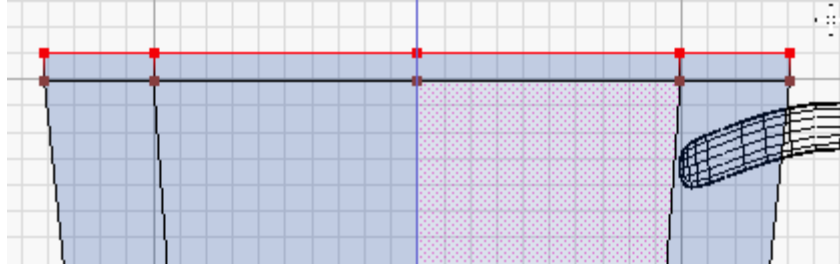


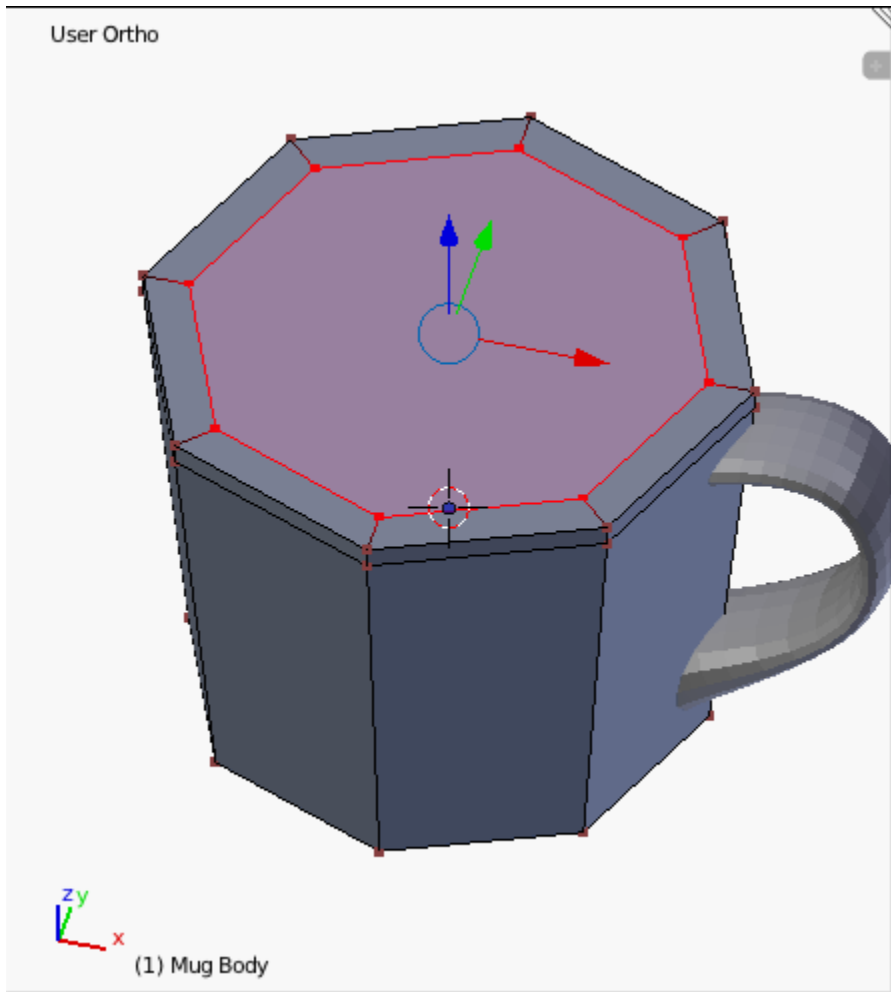
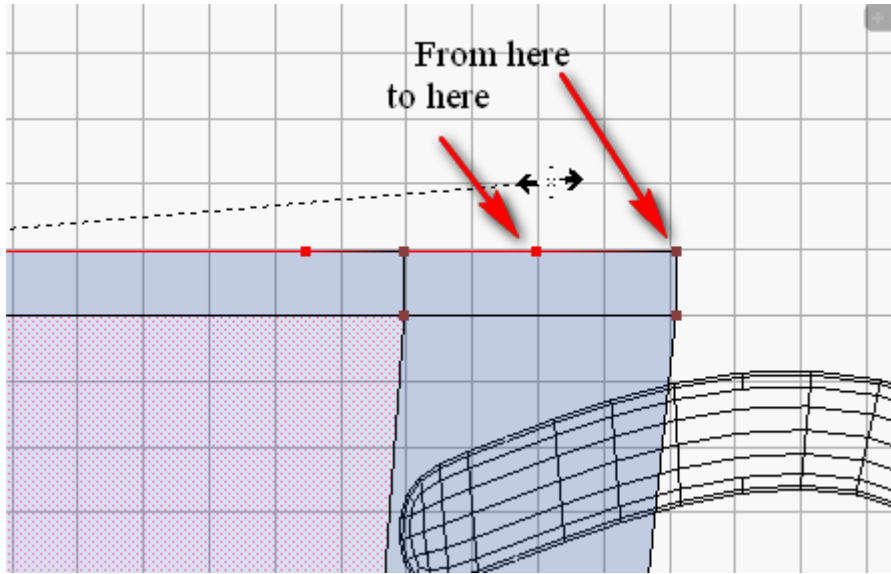


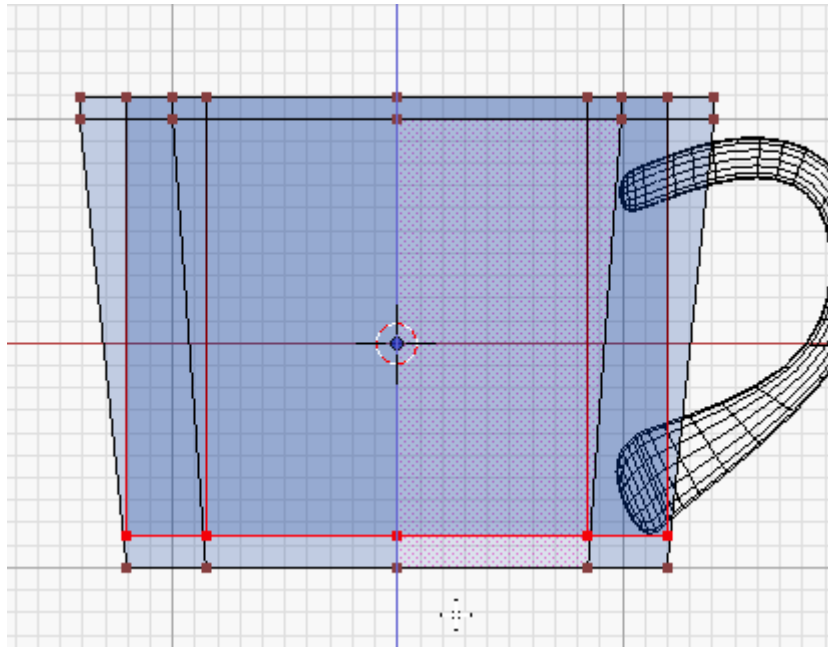


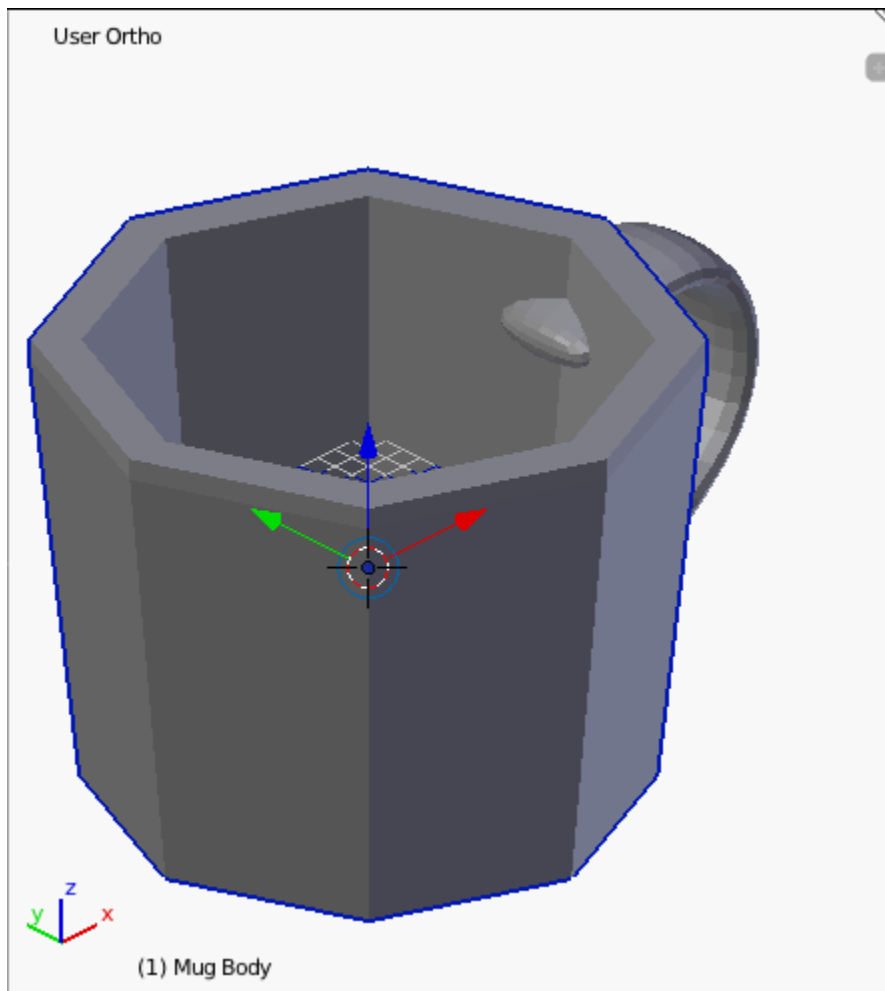
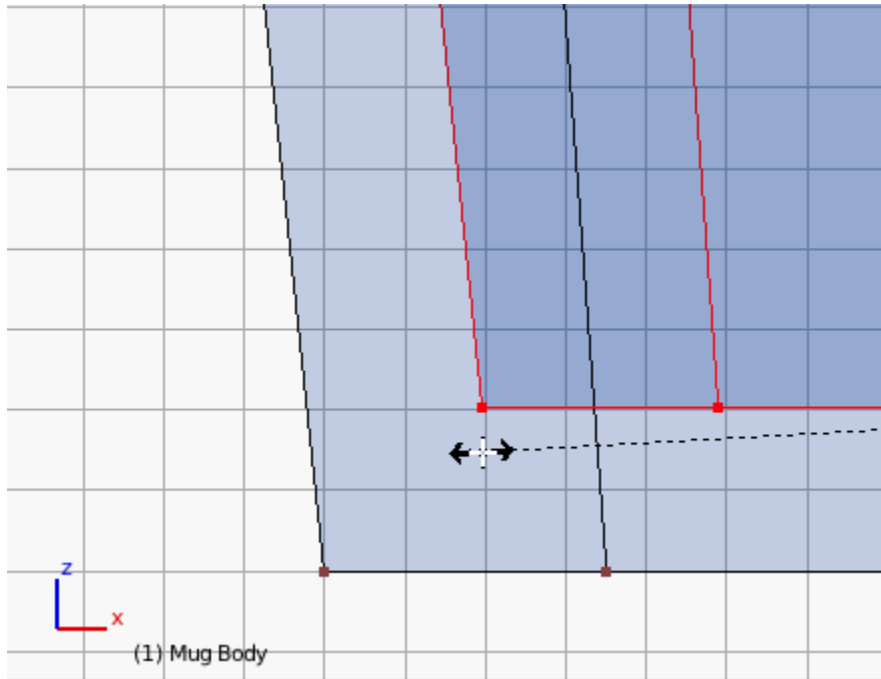


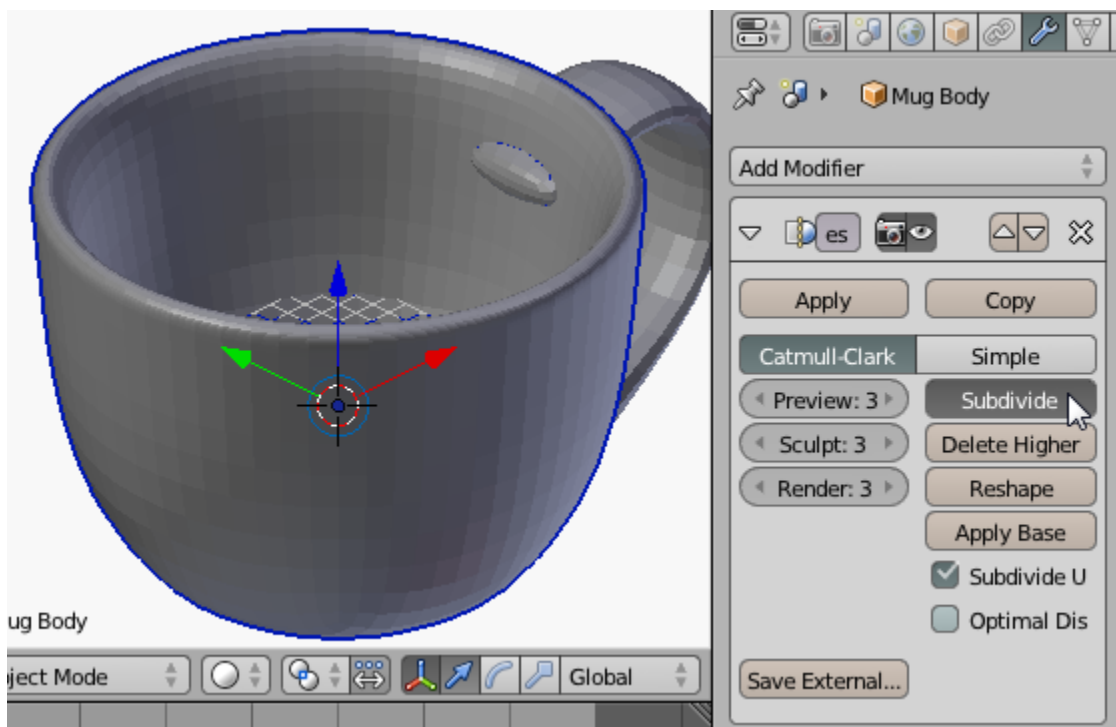
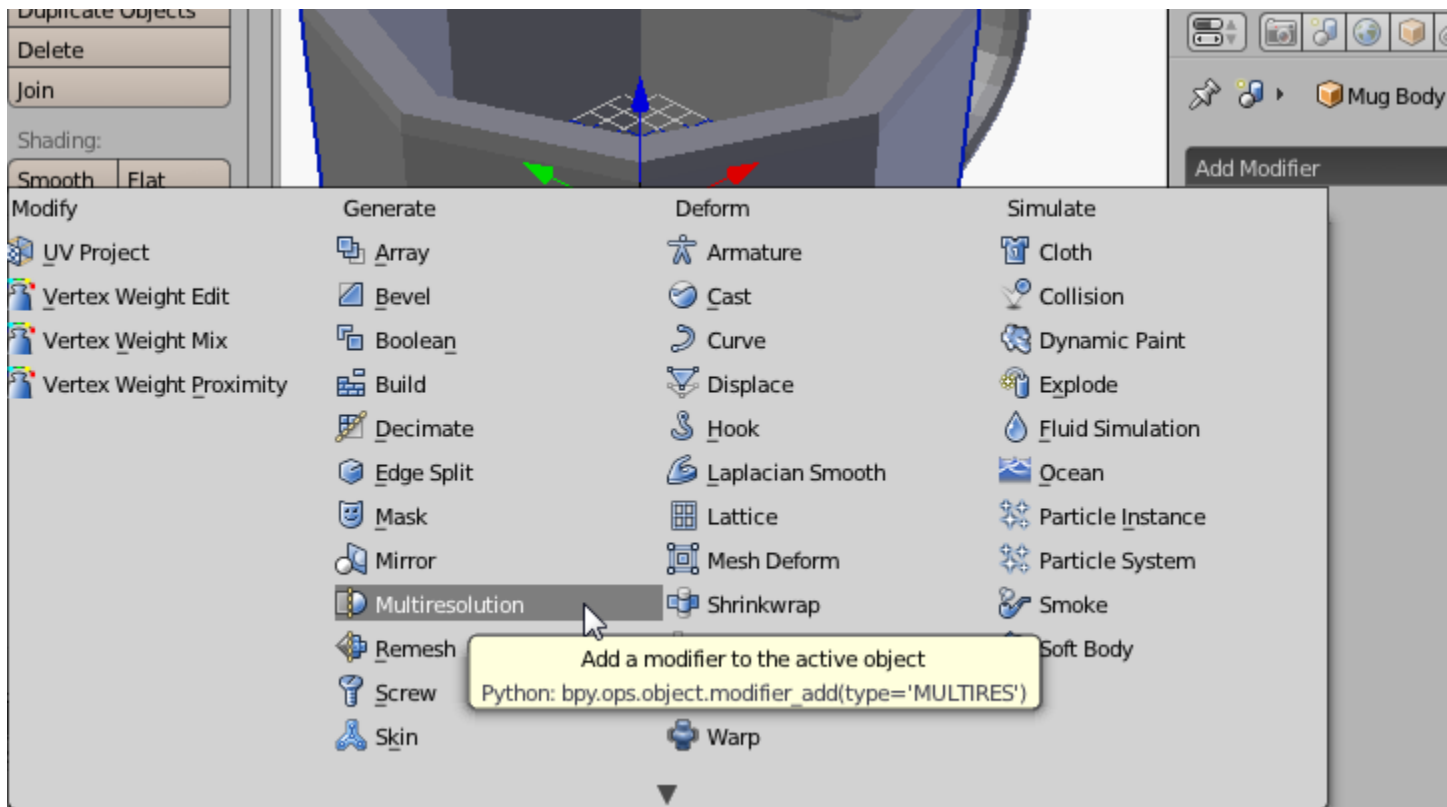


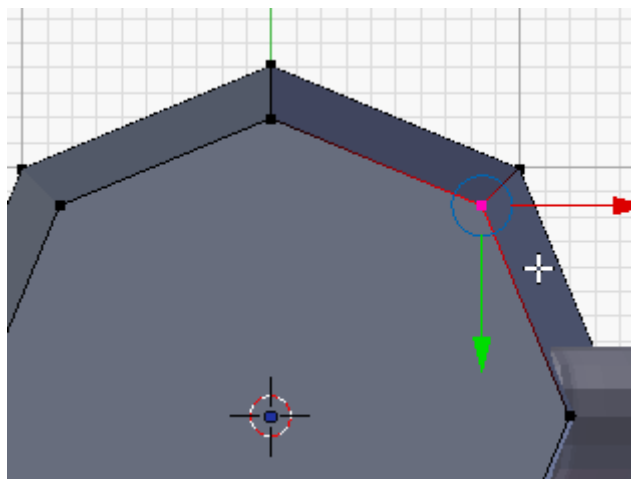
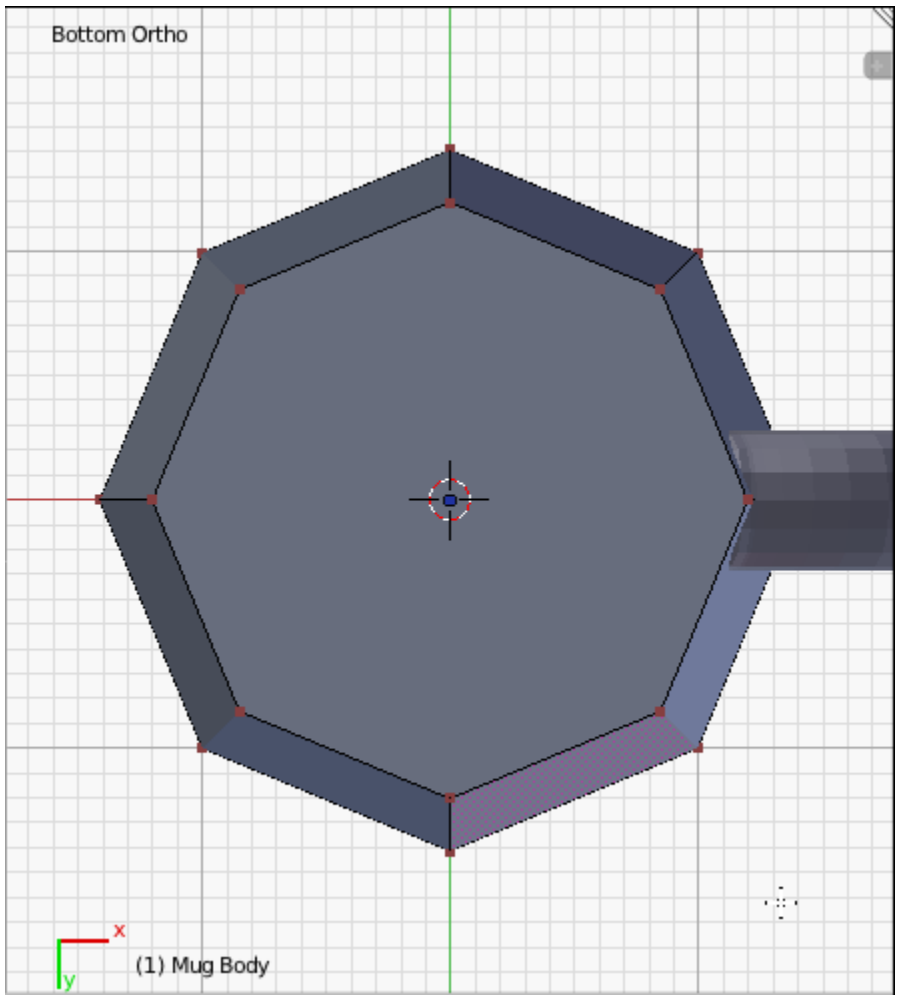


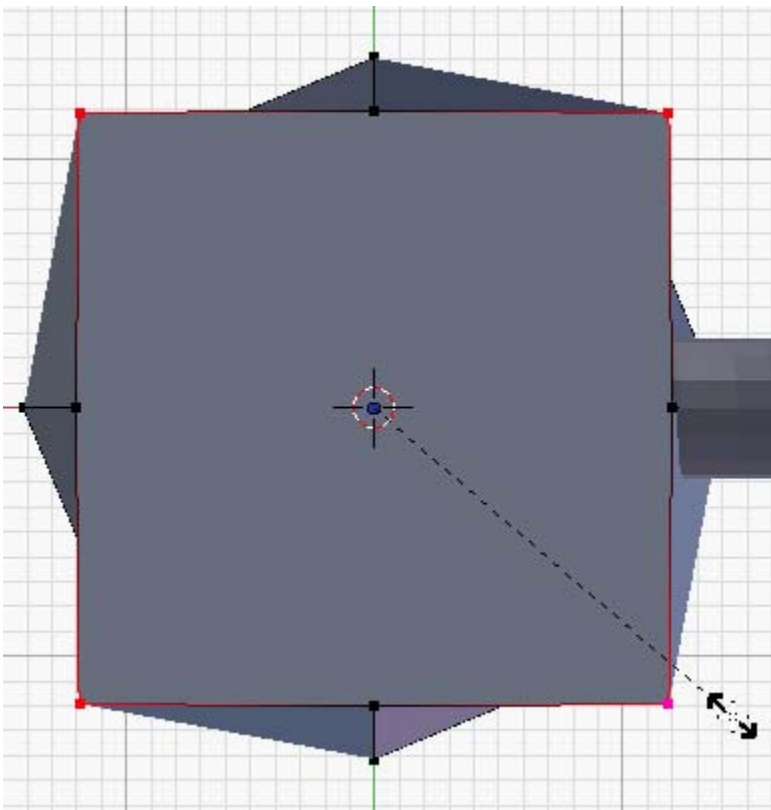
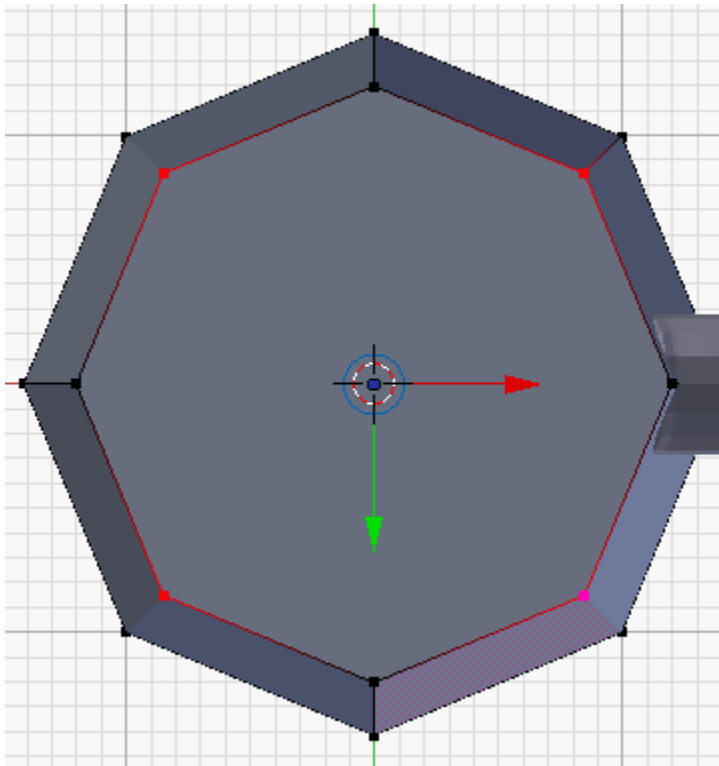


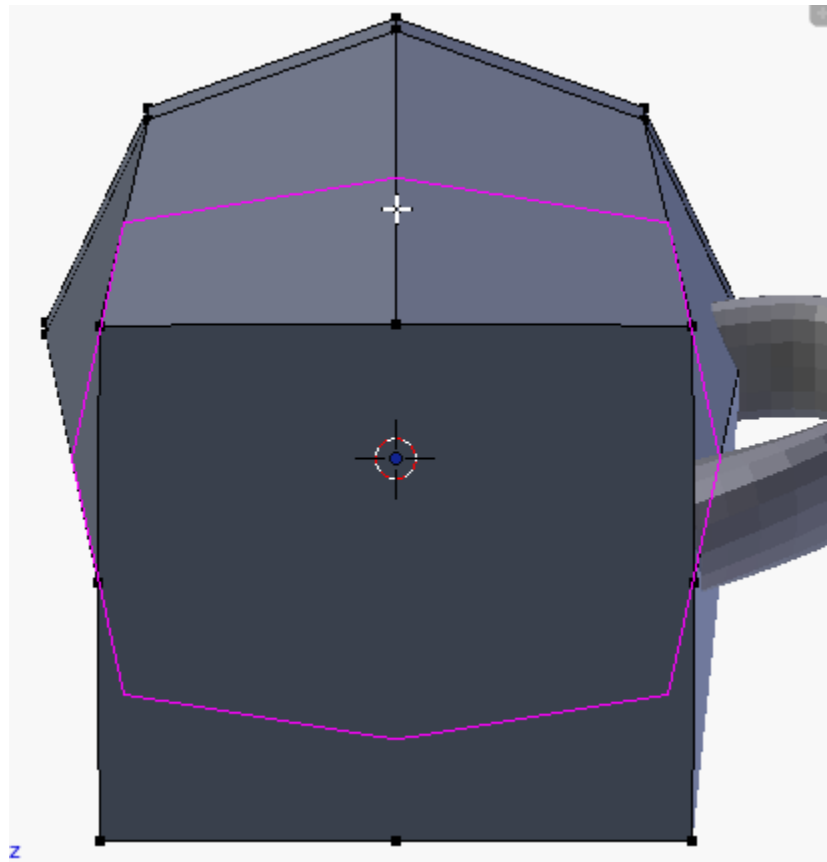
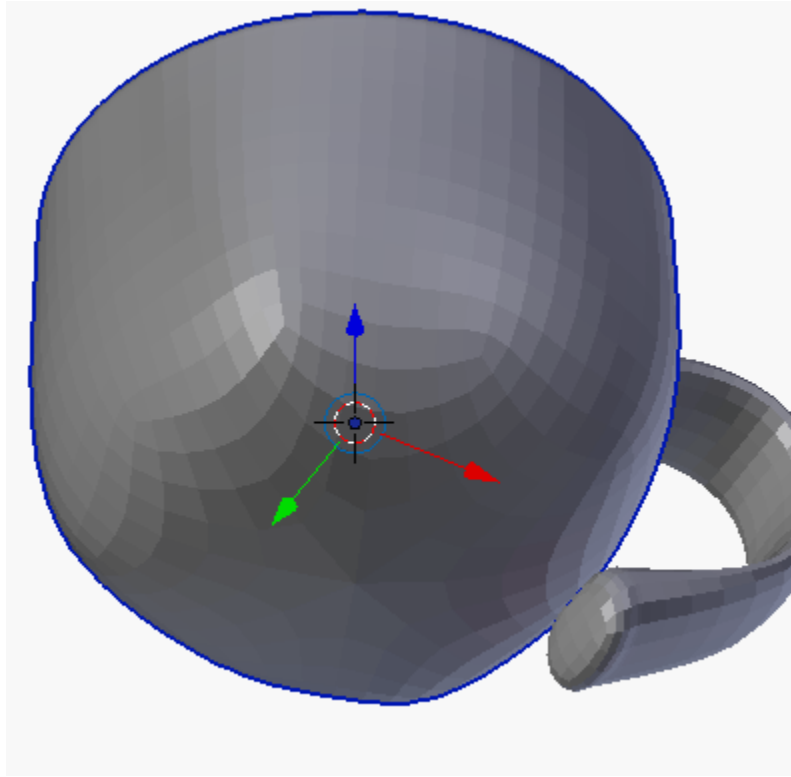


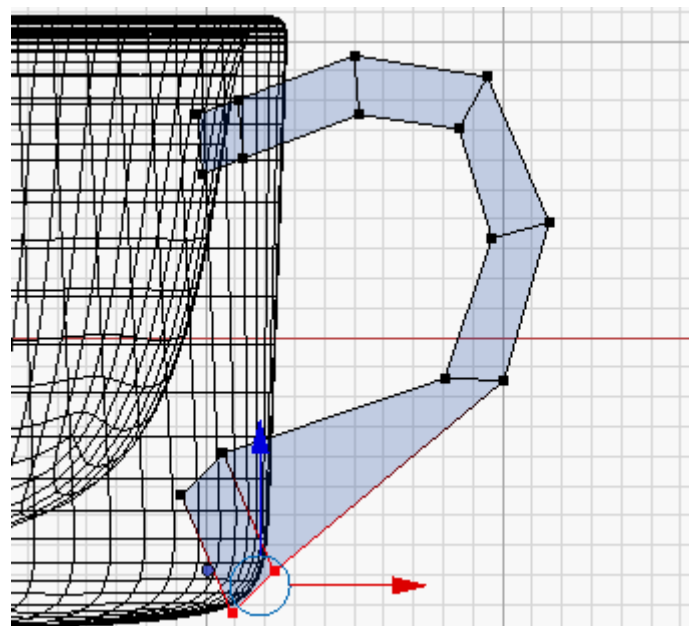
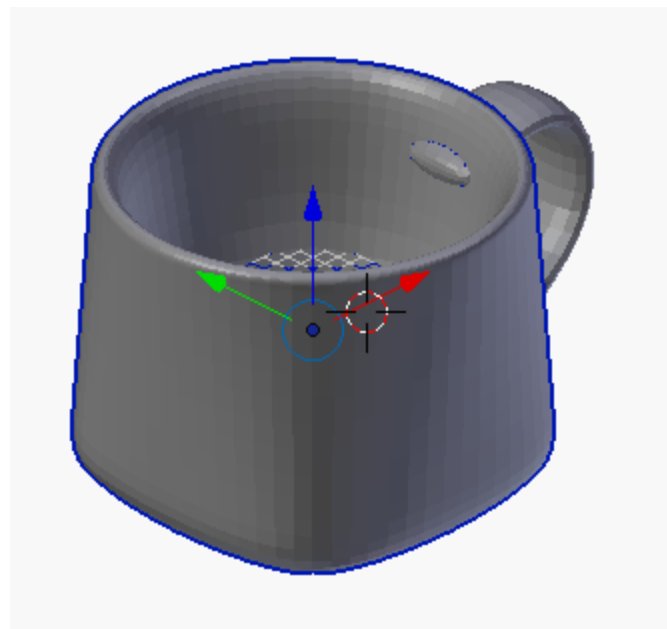
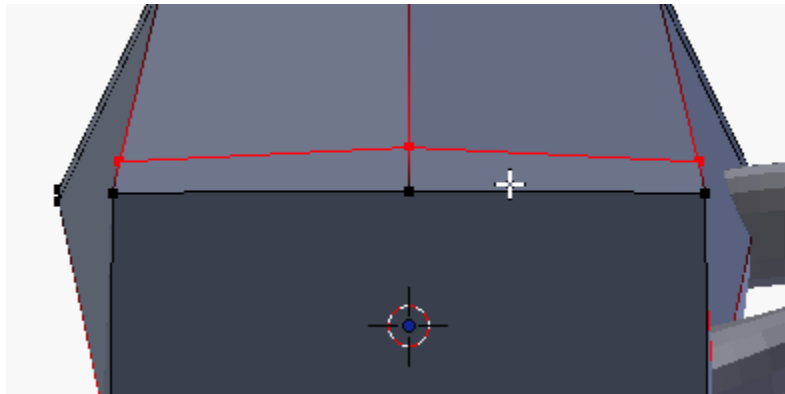


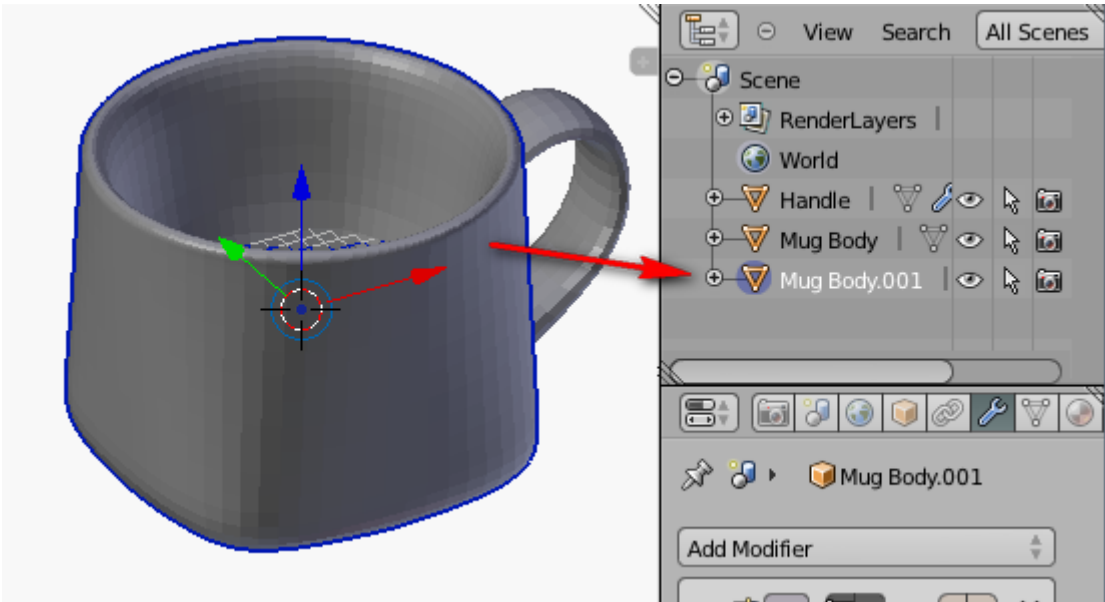
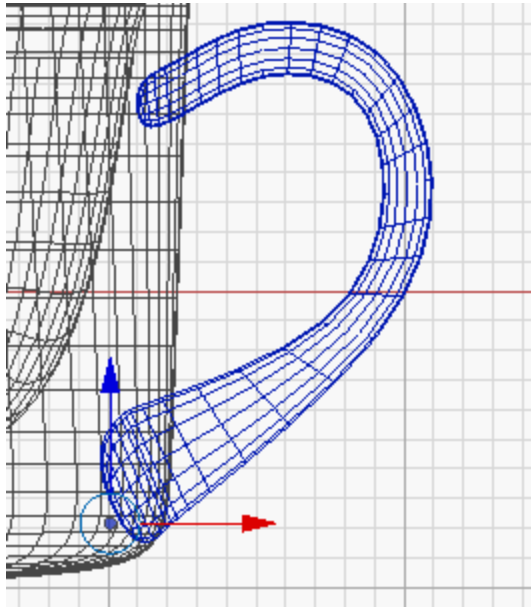
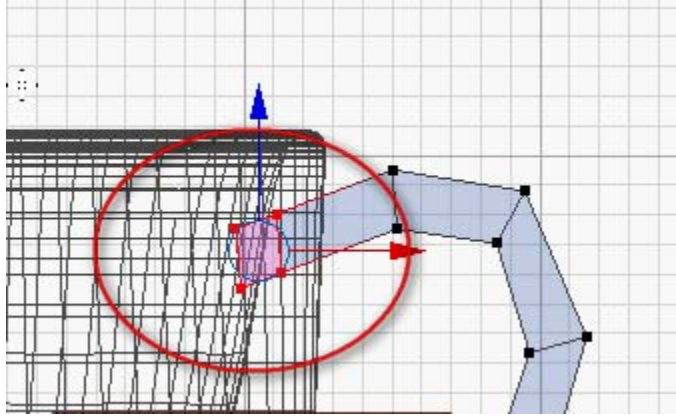


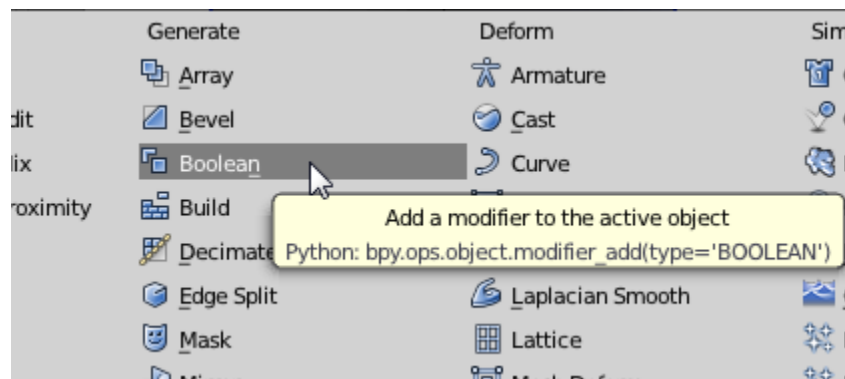
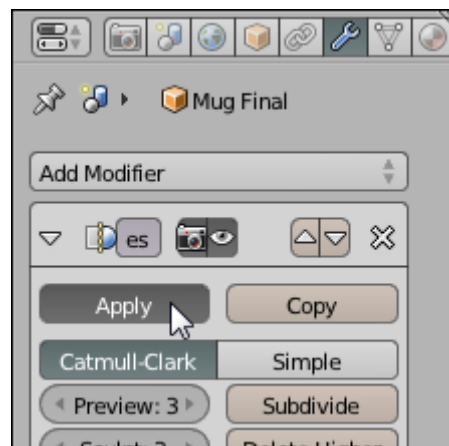
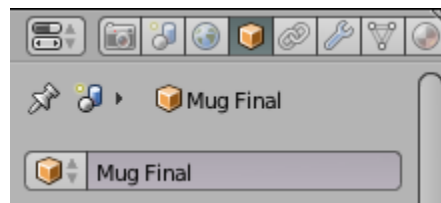
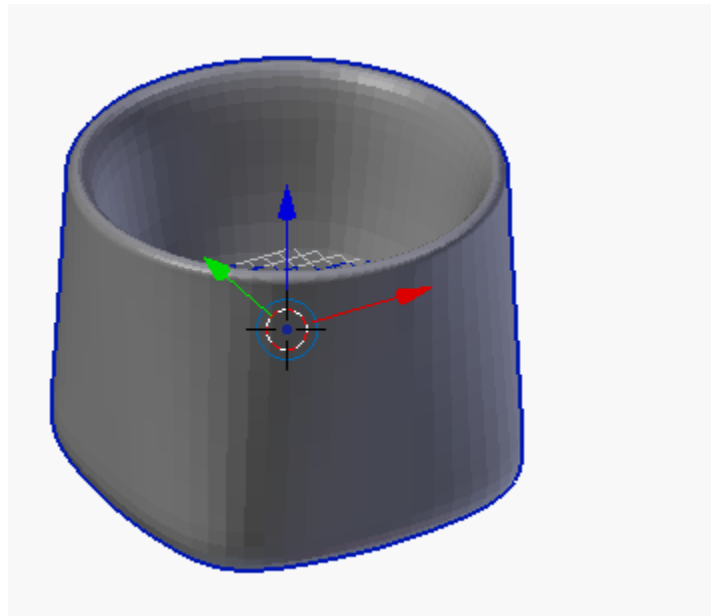


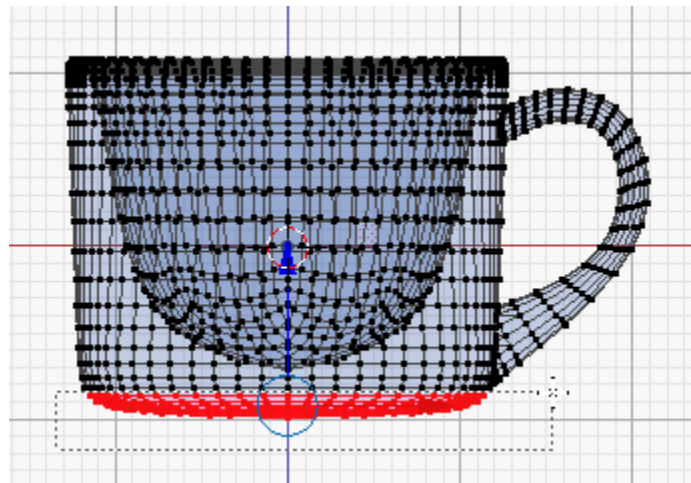
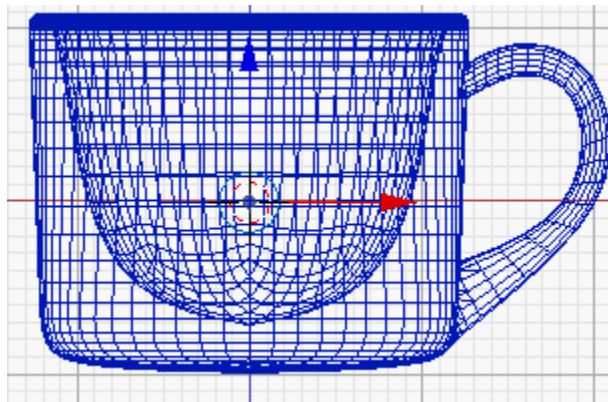
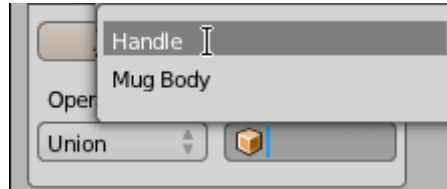
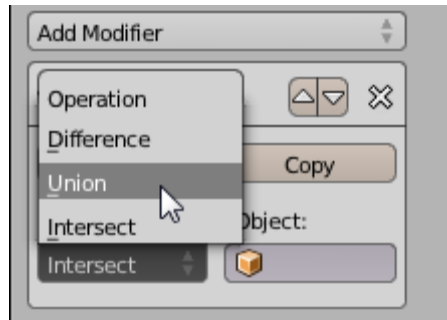


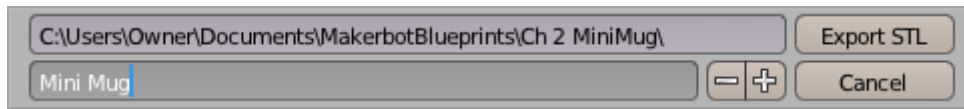
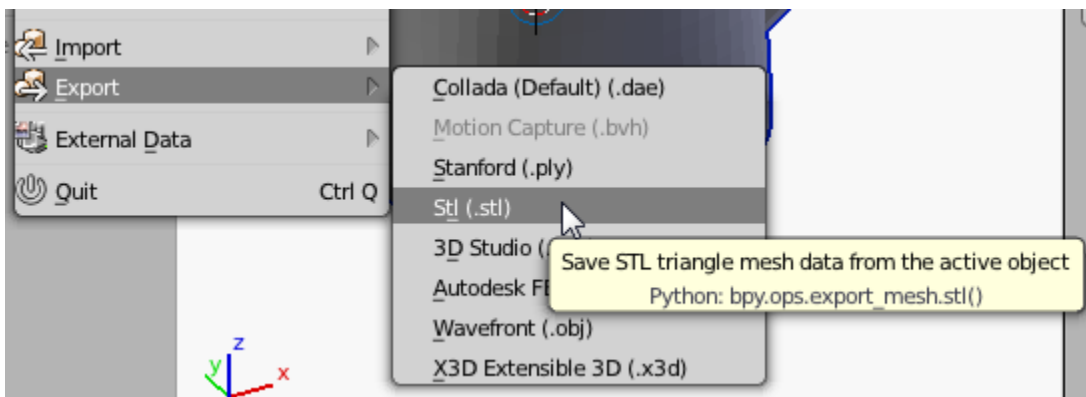
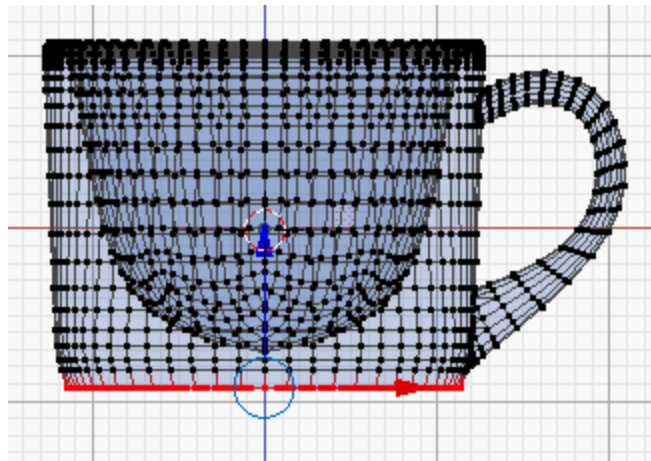


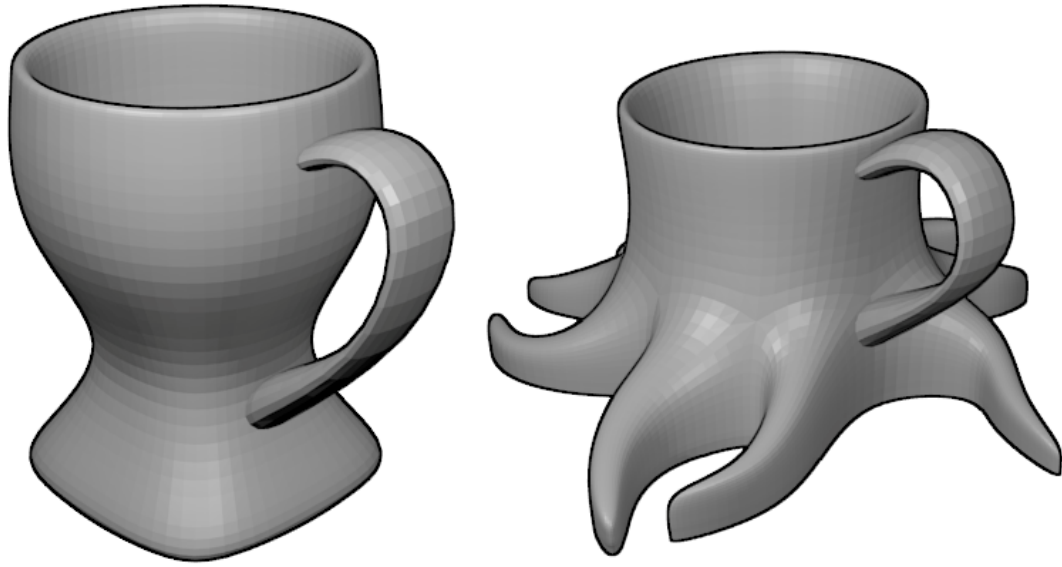




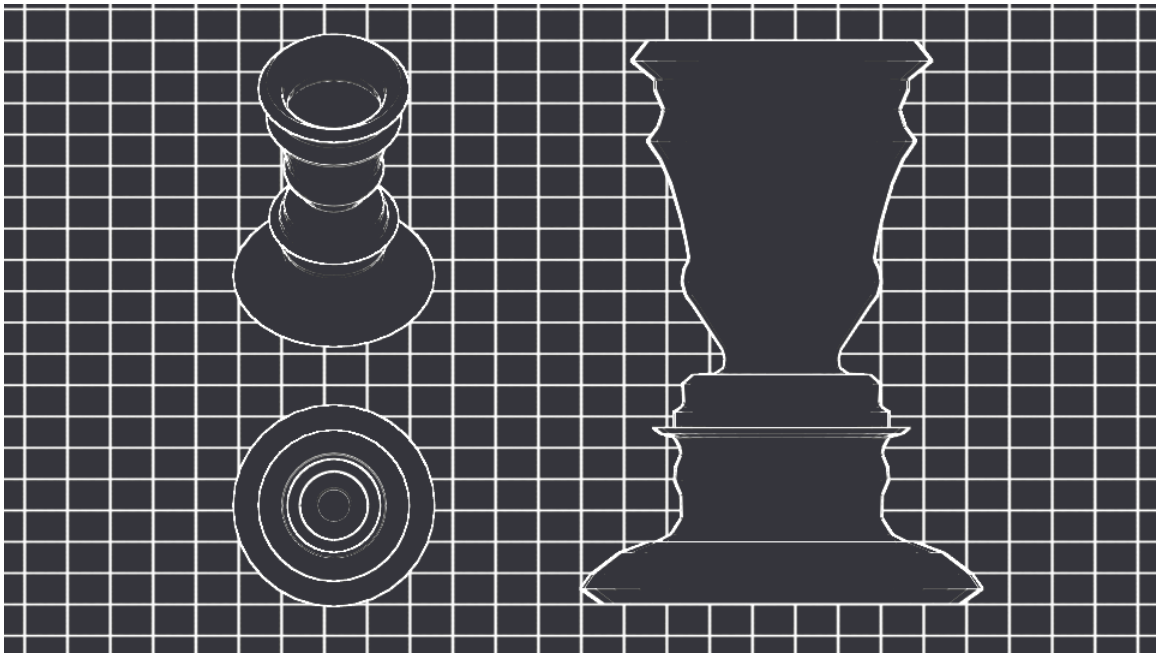


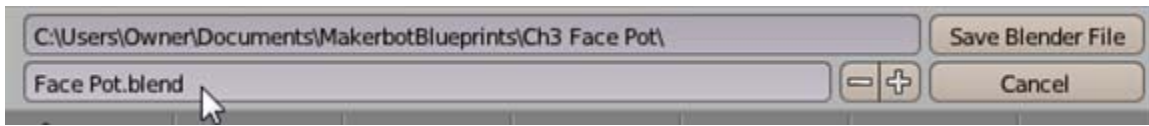


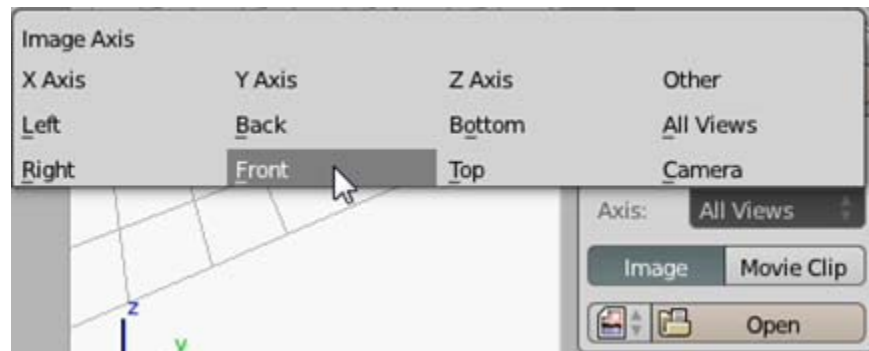
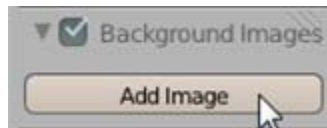
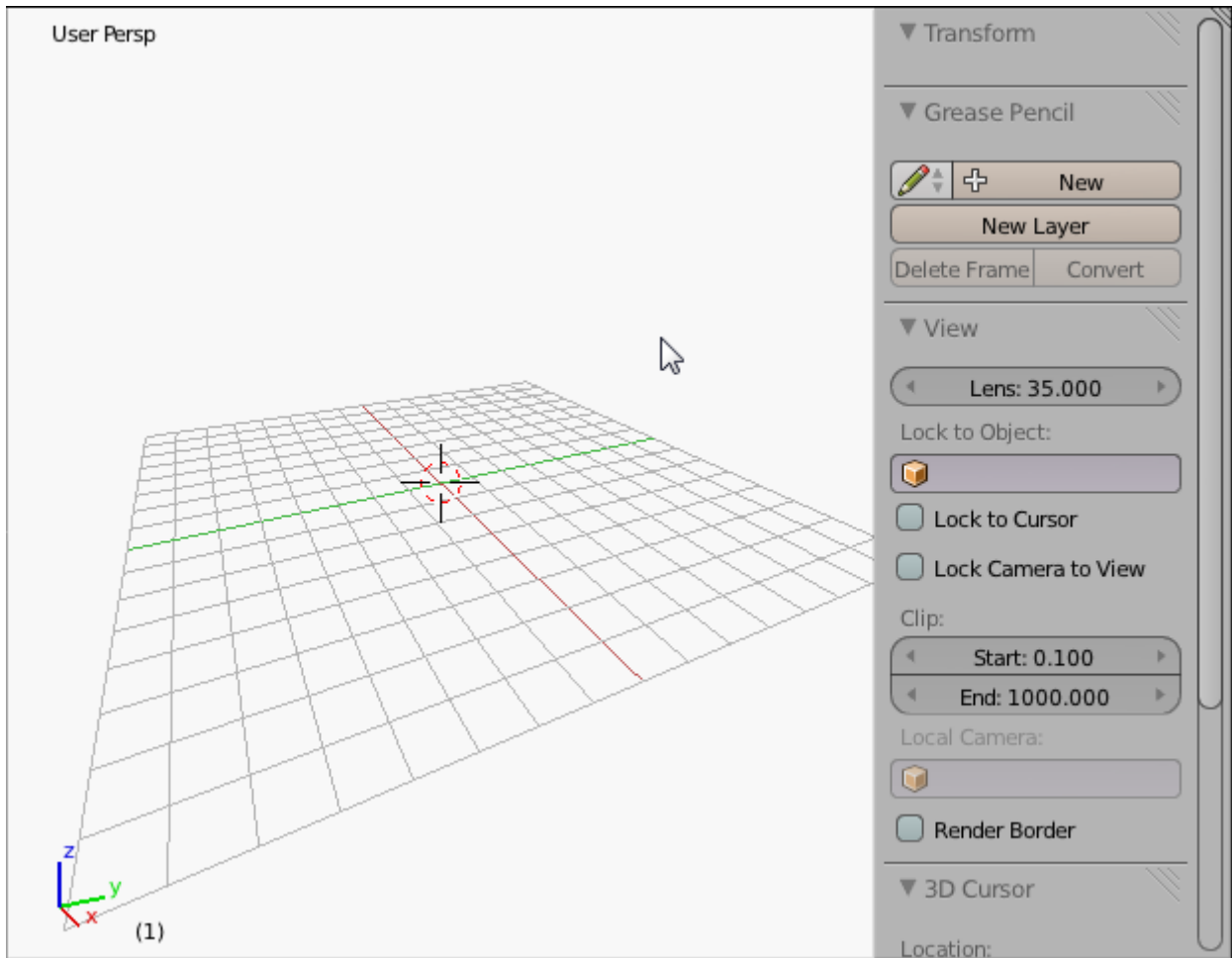





Chapter 3: Face Illusion Vase







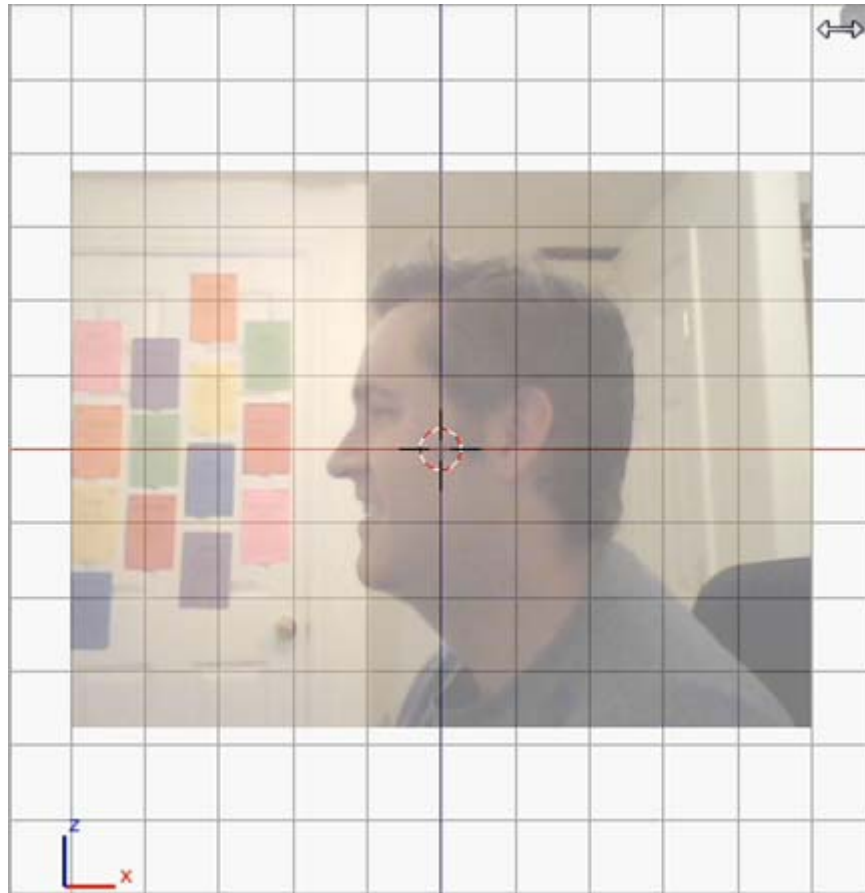


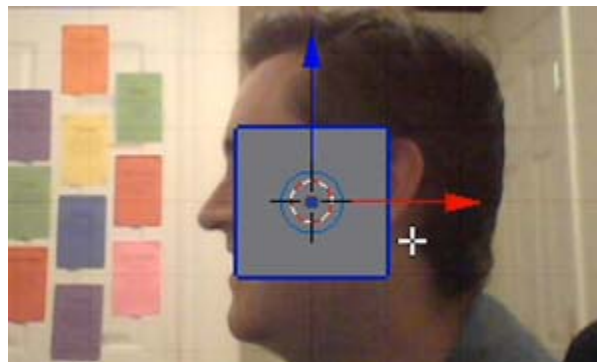
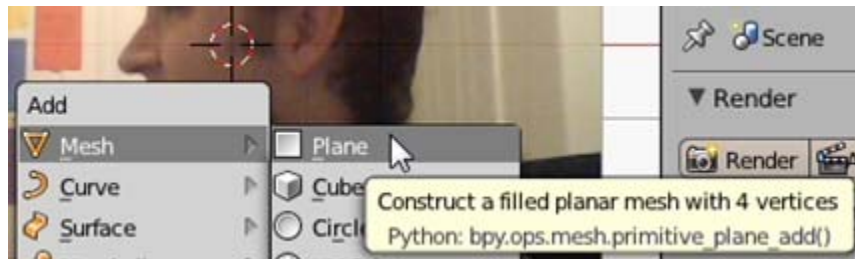
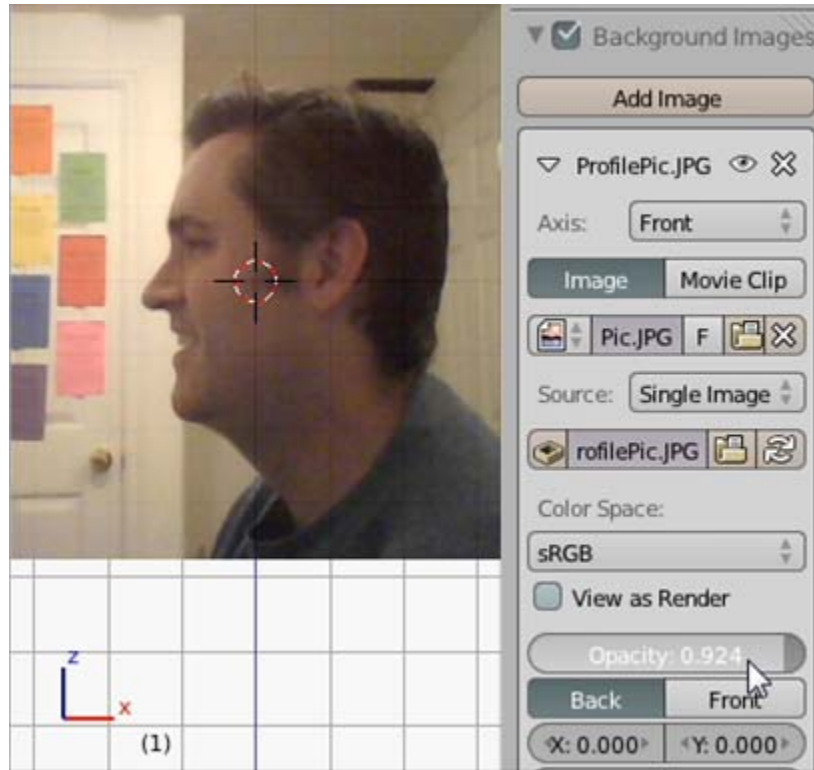
▼ Not Set  

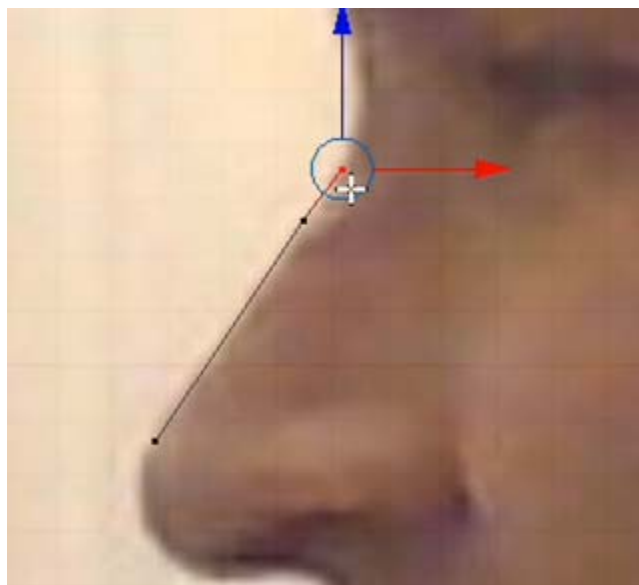
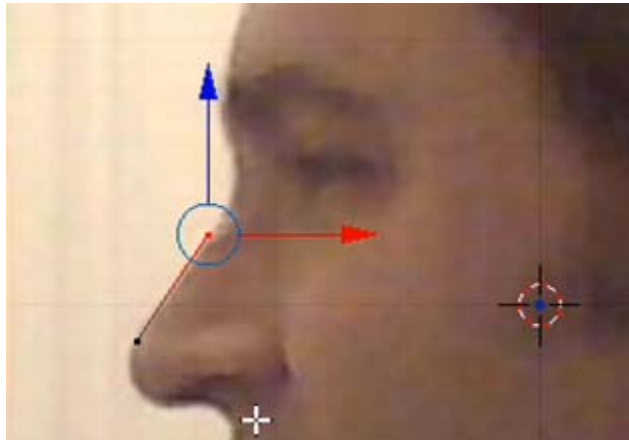
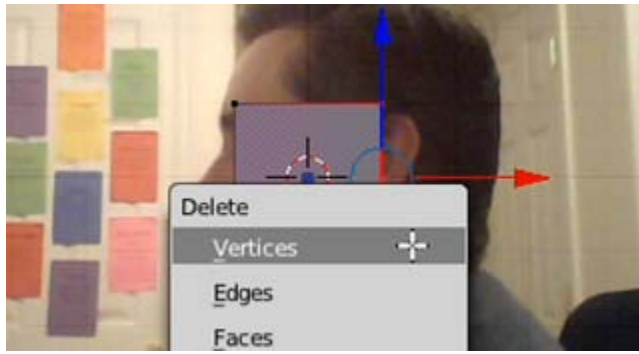
Axis:

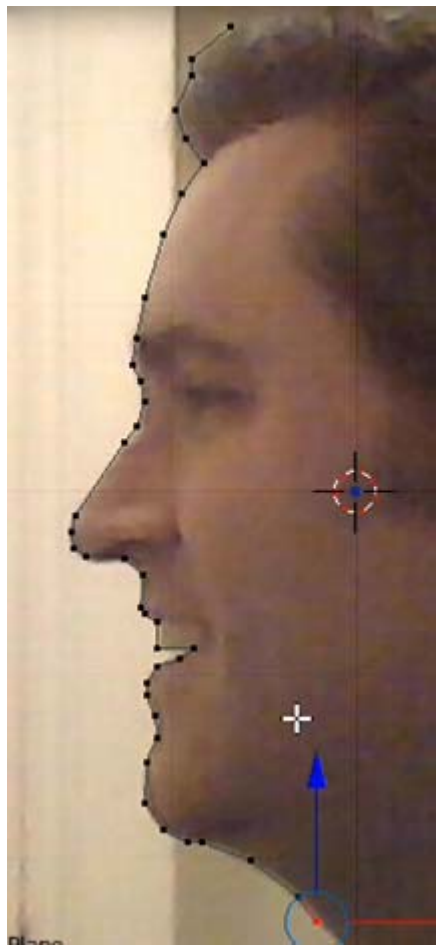
Image Movie Clip

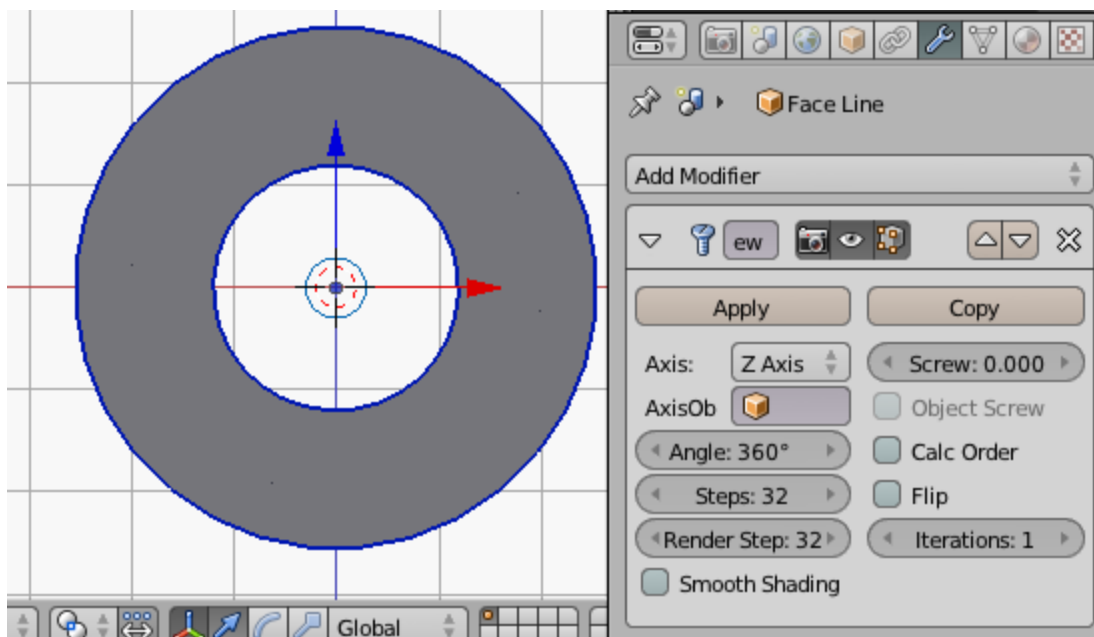
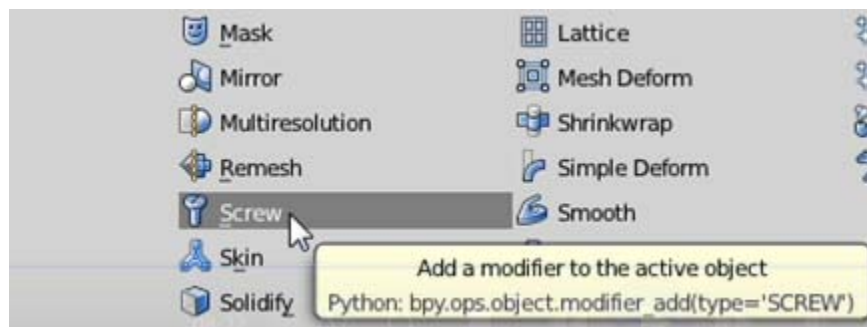
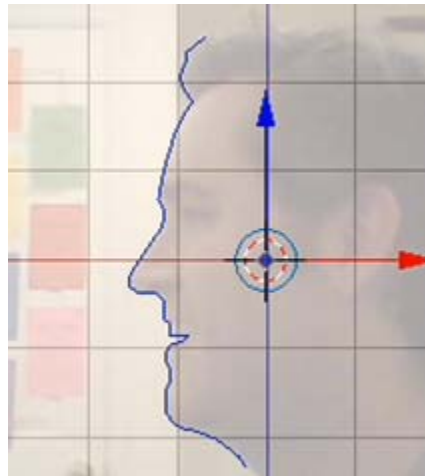
 

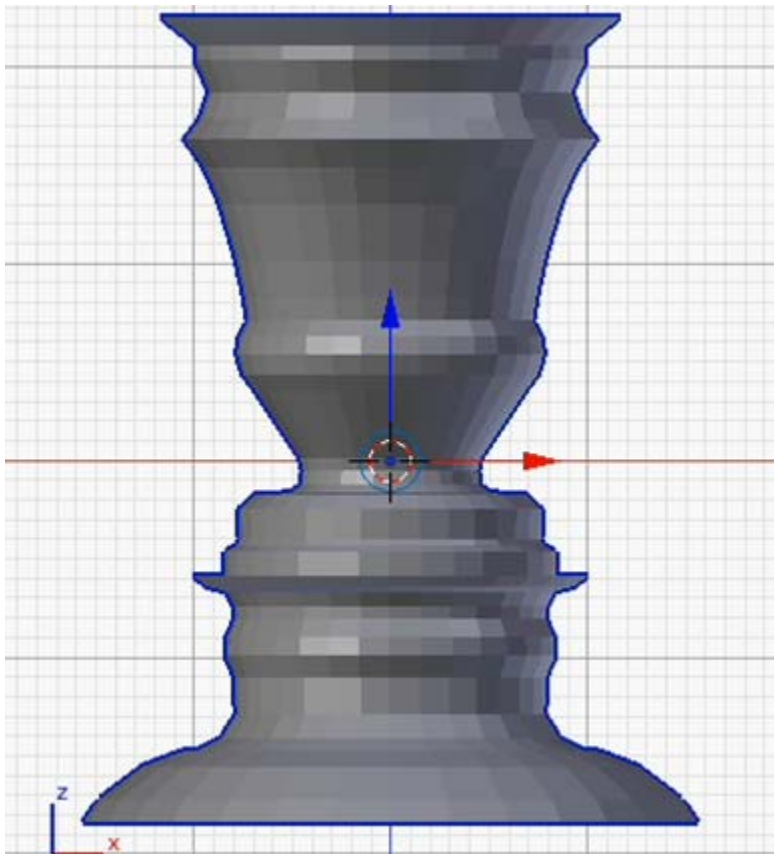
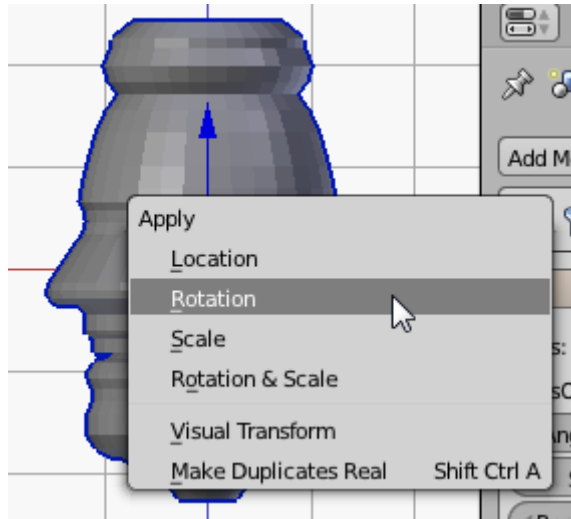
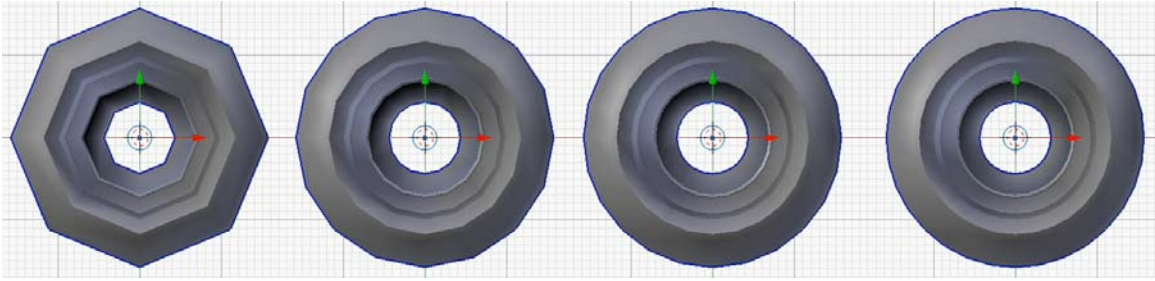


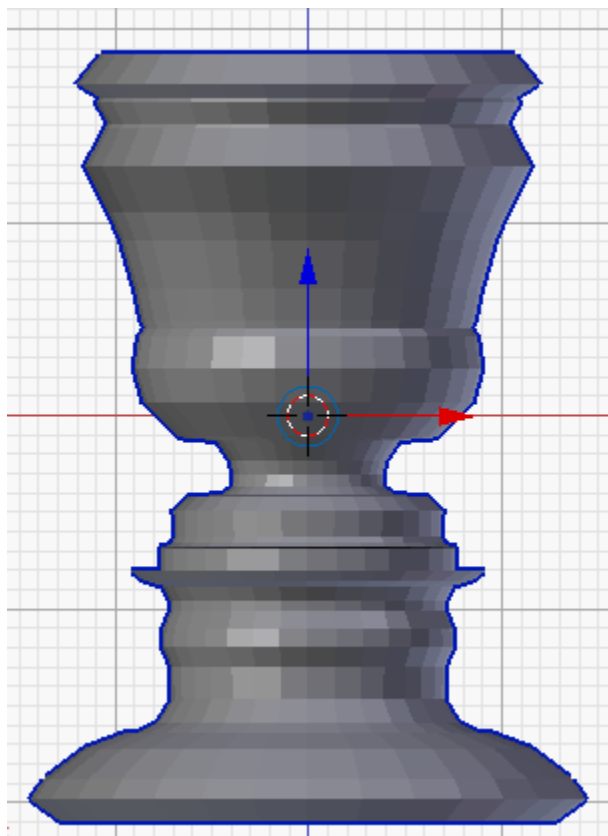
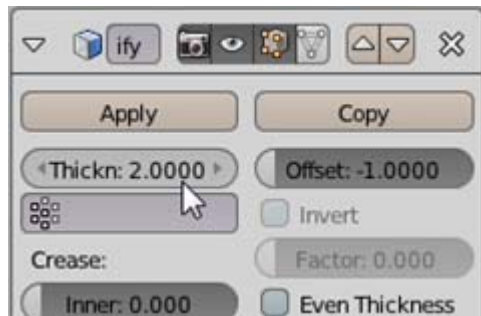
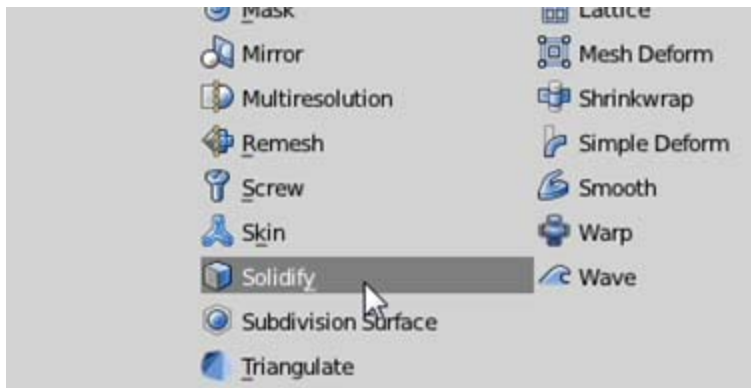


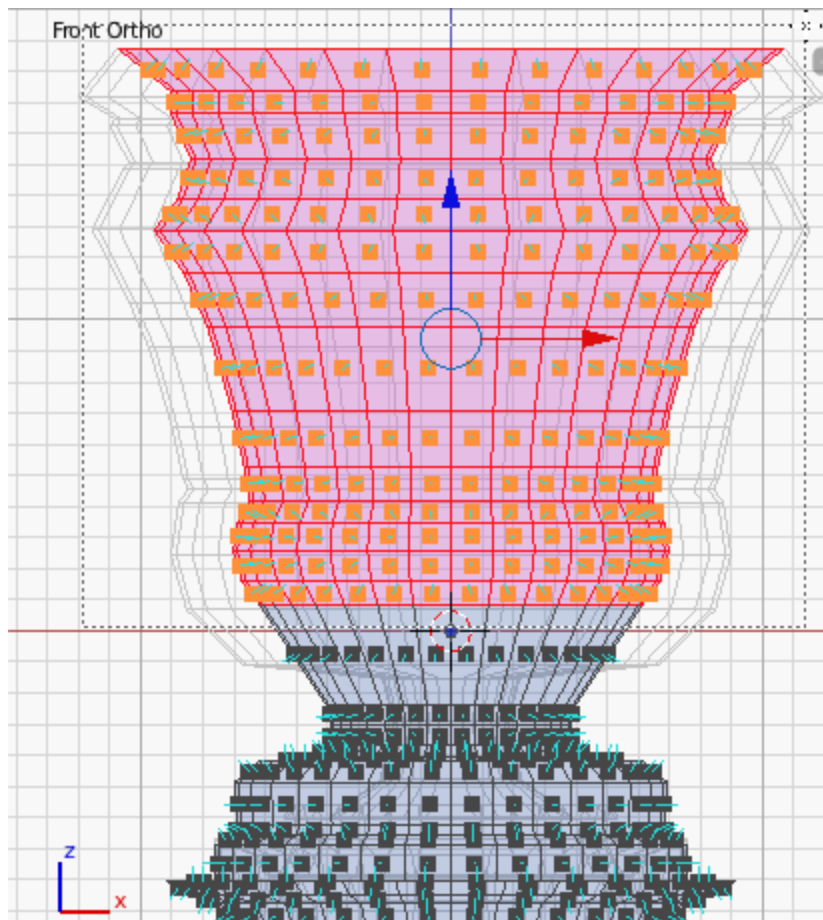
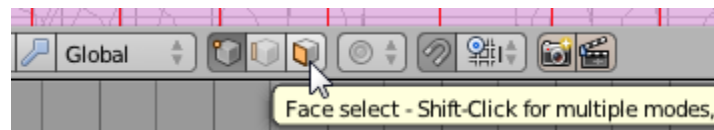
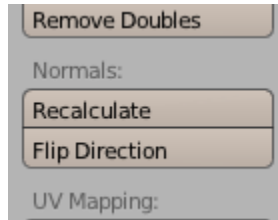
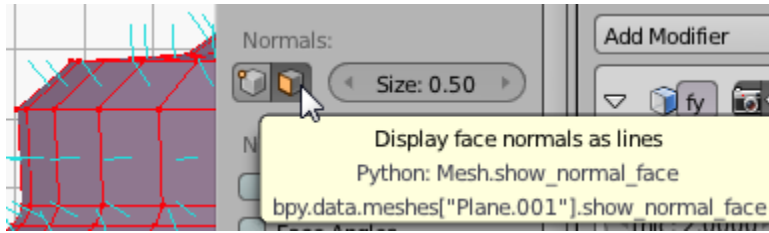


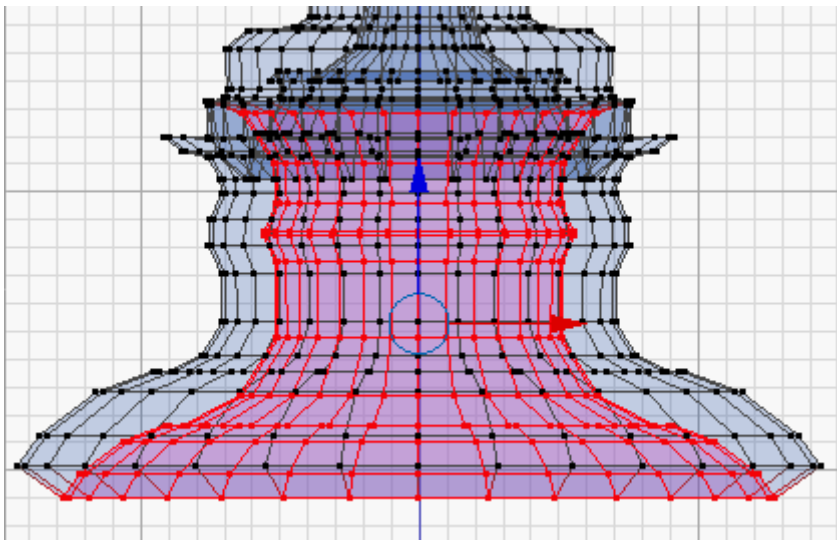
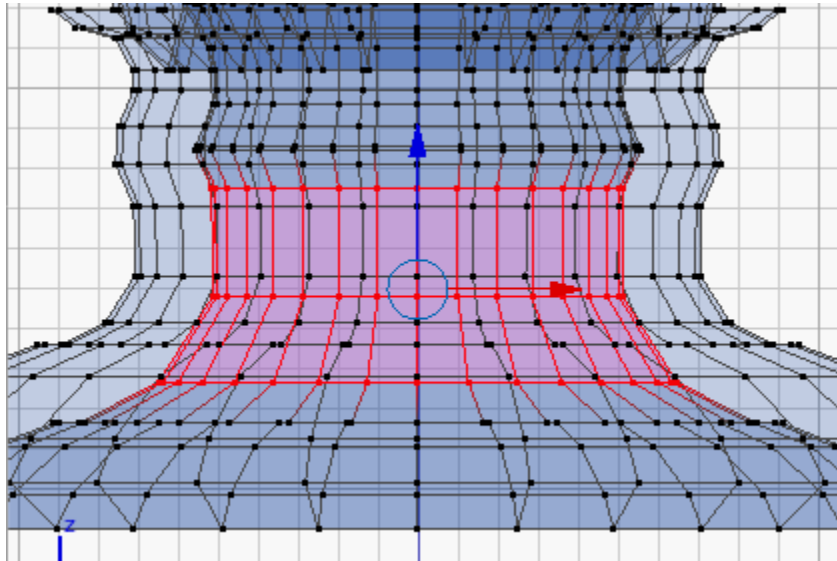
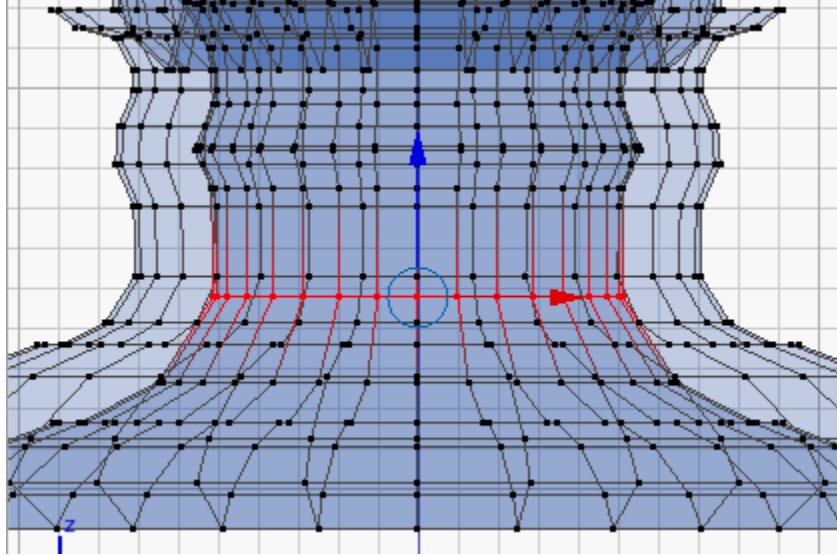


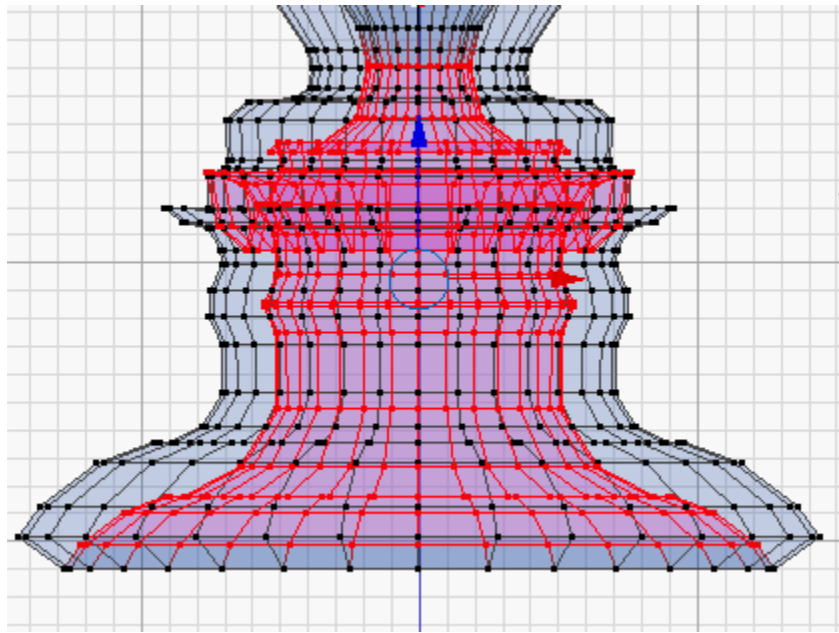
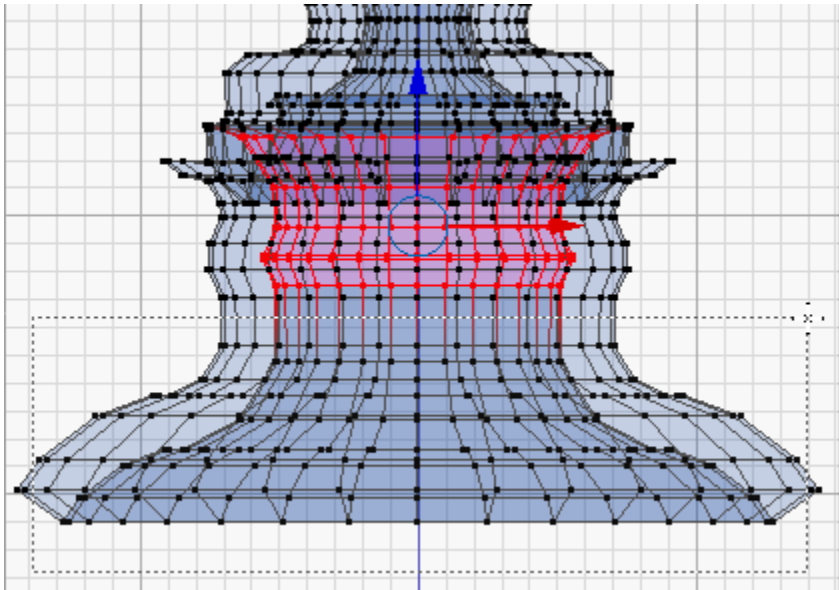


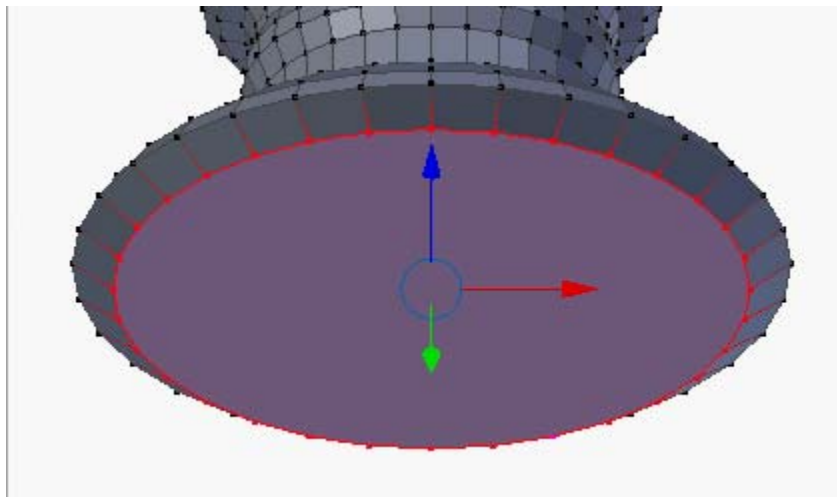
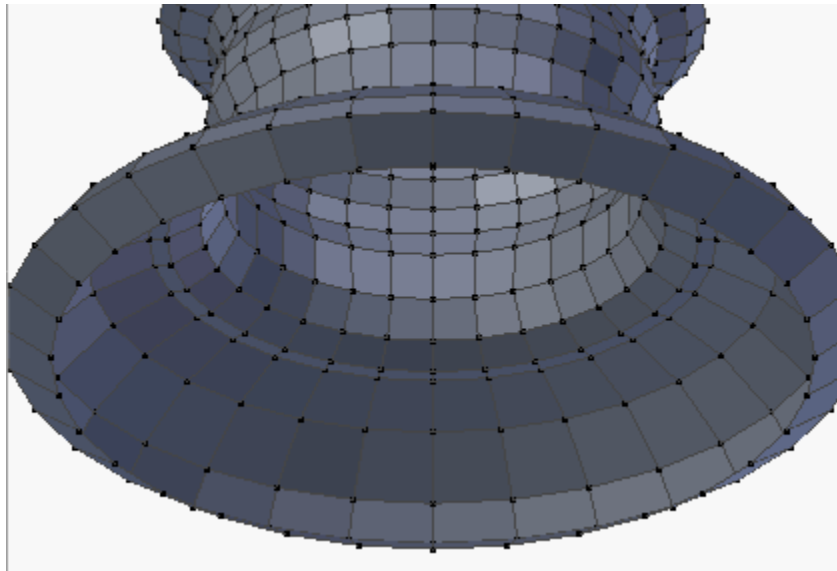


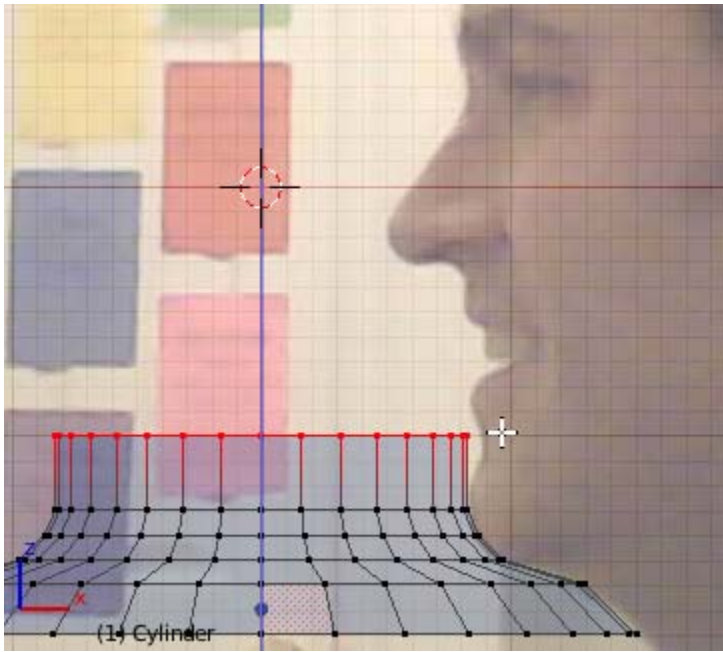




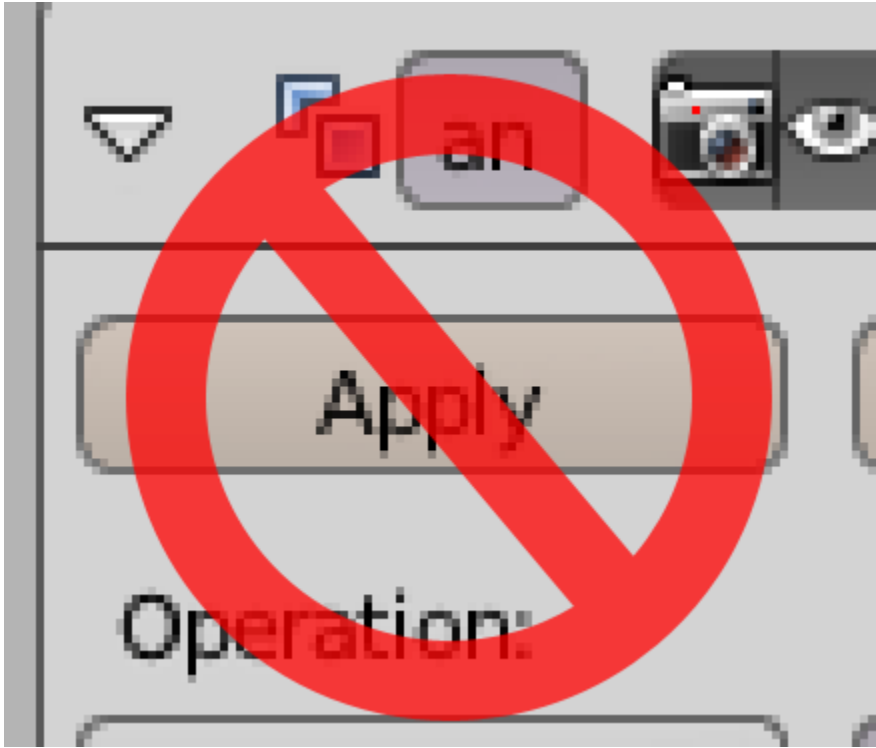
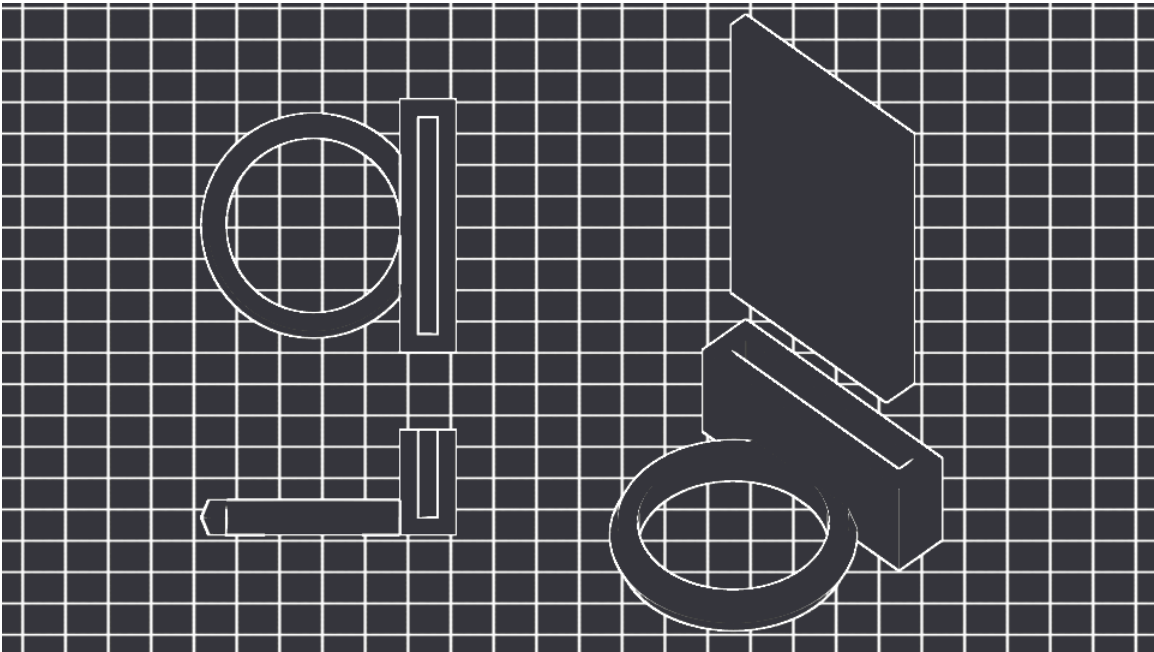


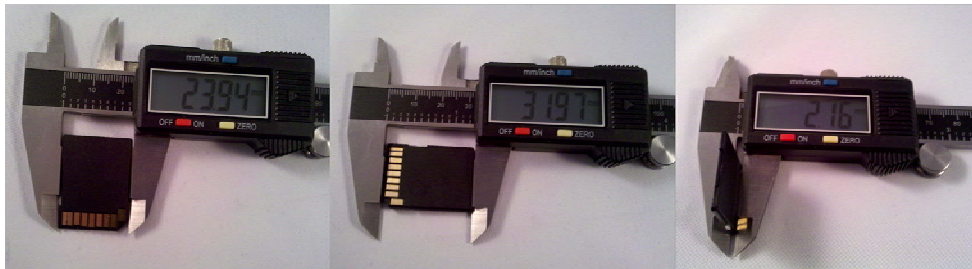
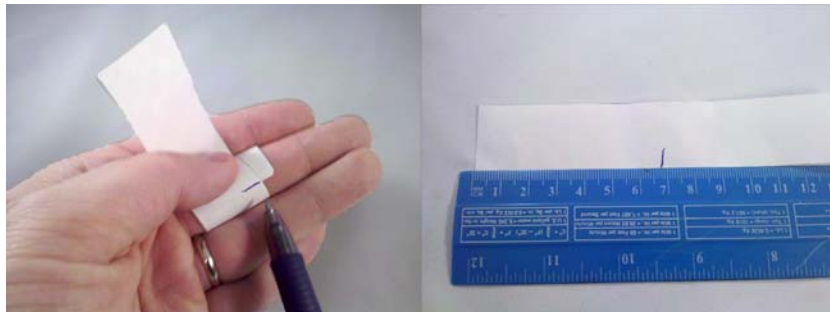


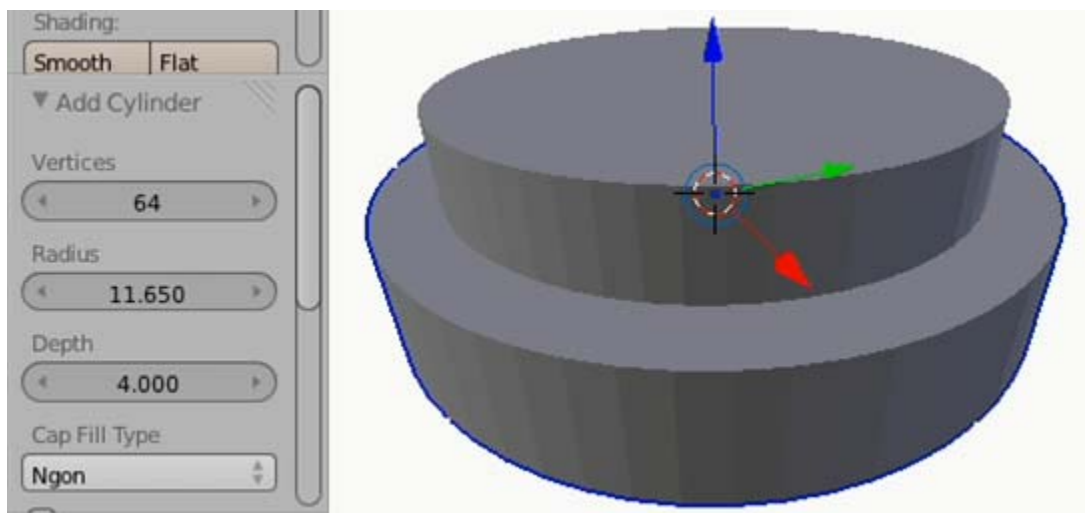
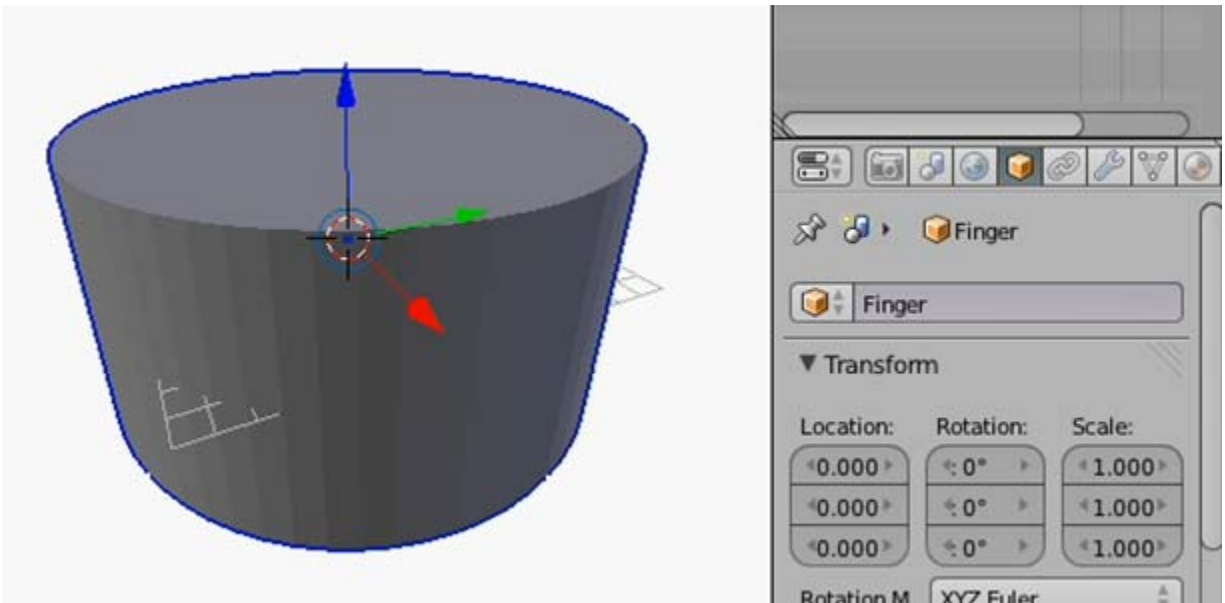
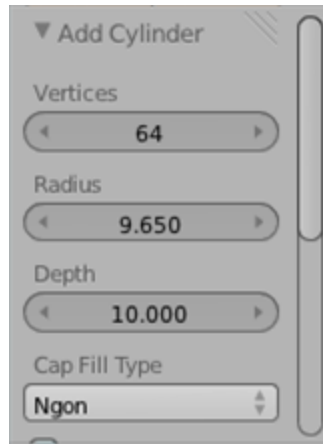


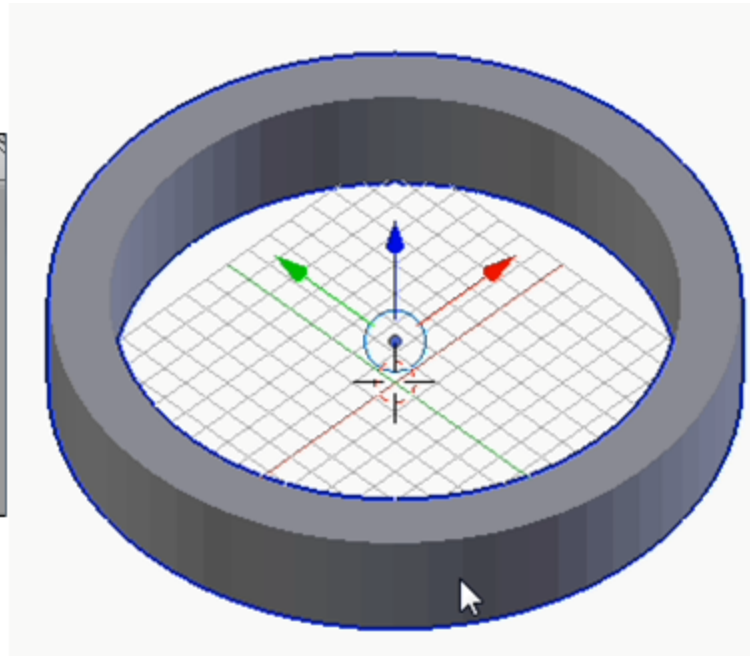
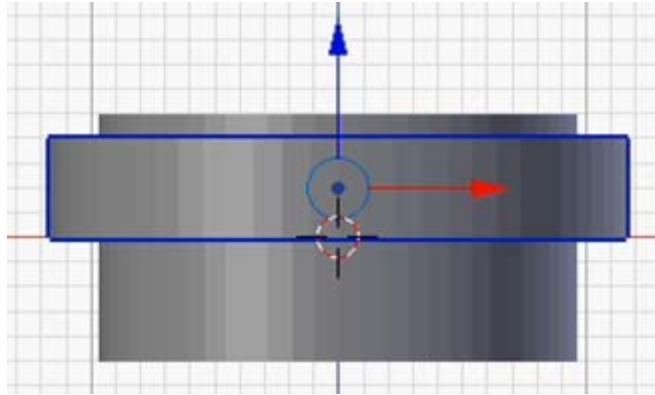


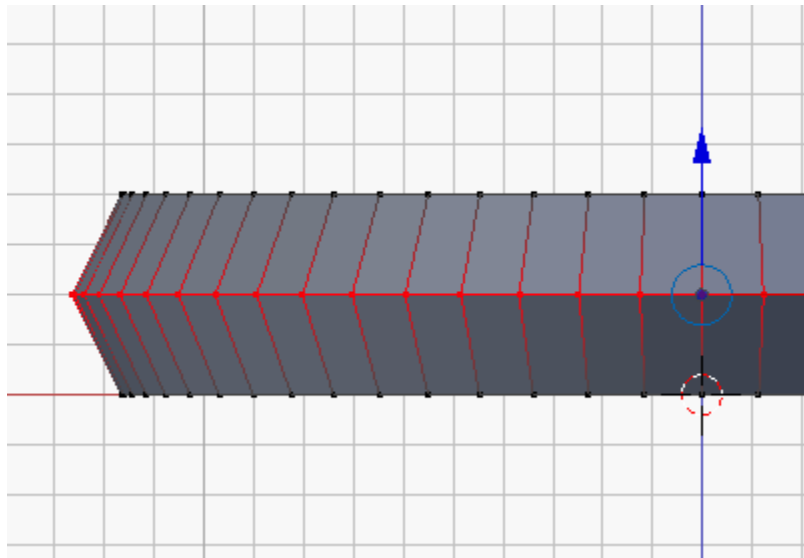
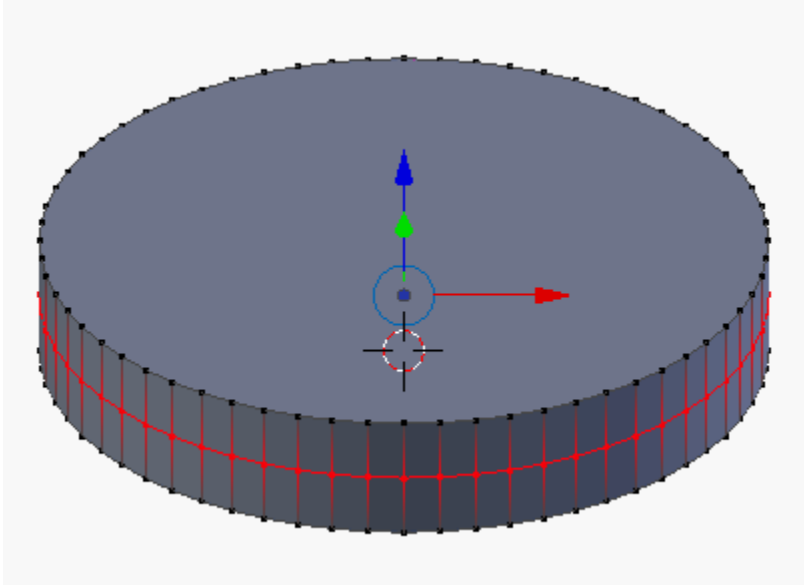
Chapter 4: SD Card Holder Ring

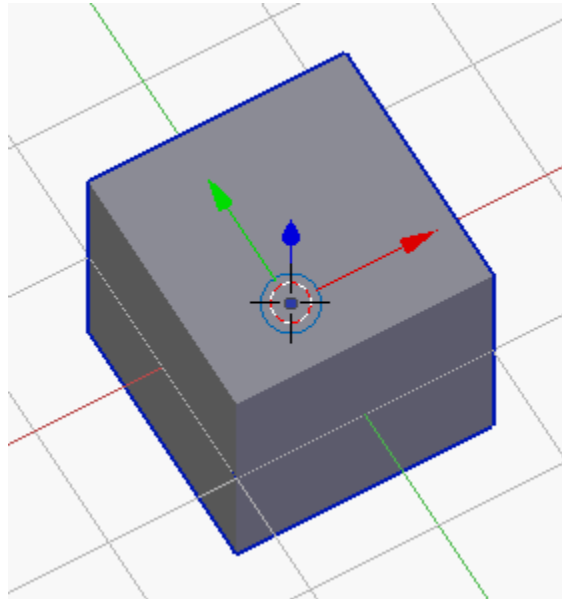
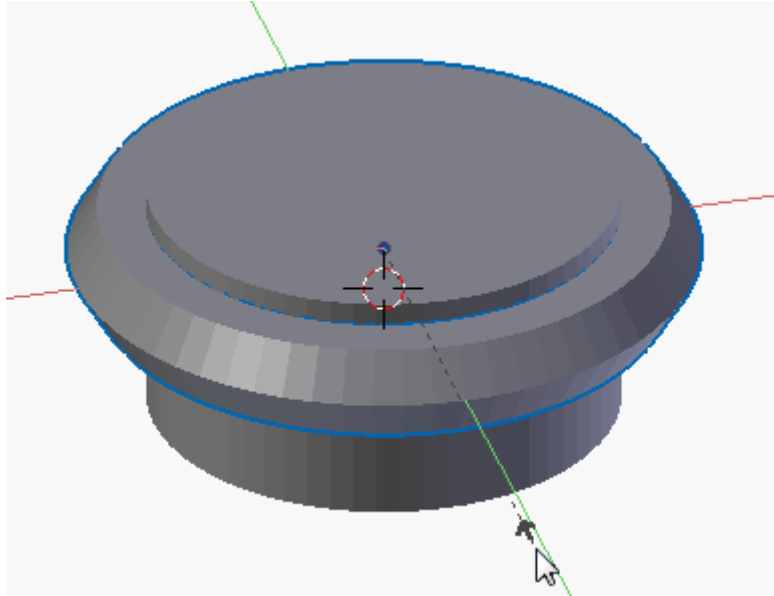


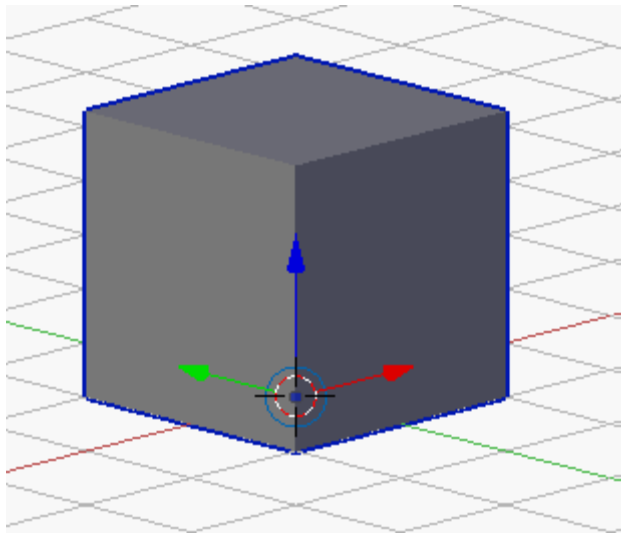












Object:

Duplicate Objects

Delete

▼ Resize

Vector

X: 2.200

Y: 24.000

Z: 32.000

Constraint Axis

X

Y

Z

Orientation

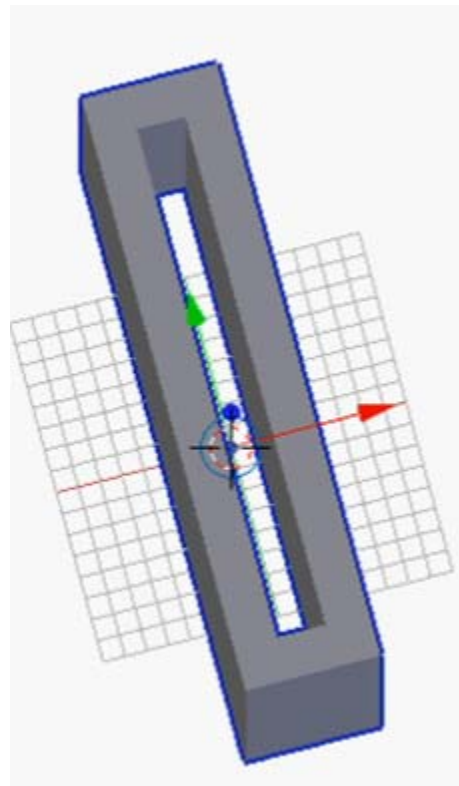
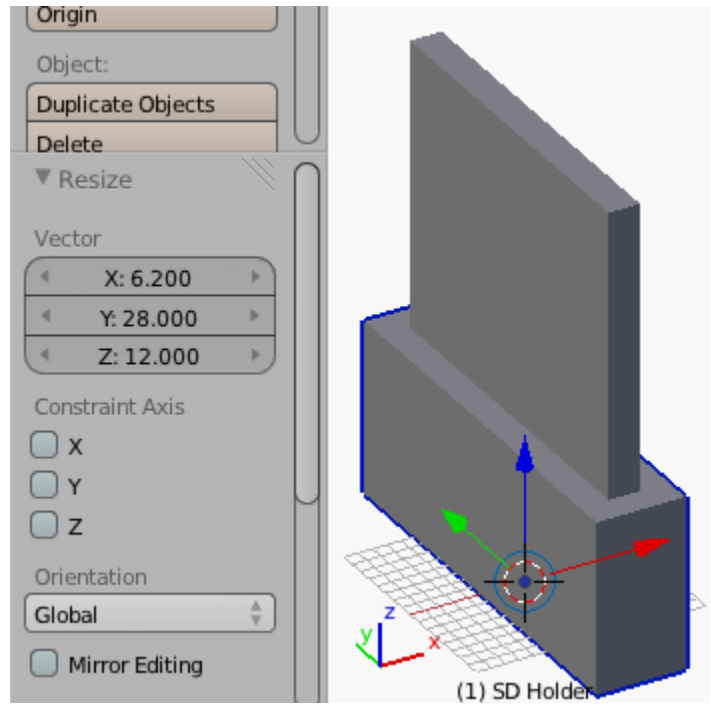
Global

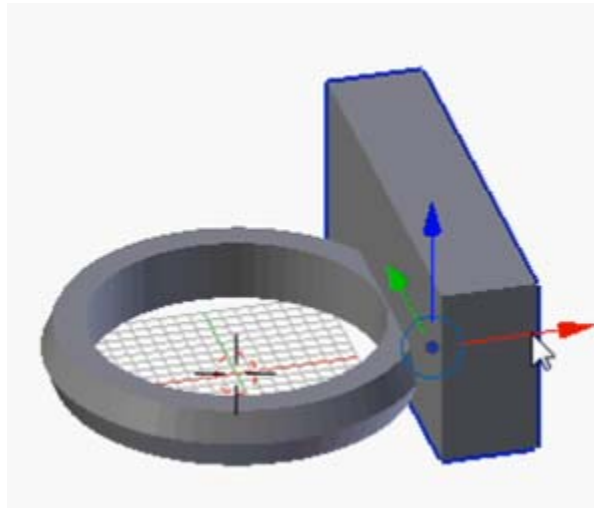
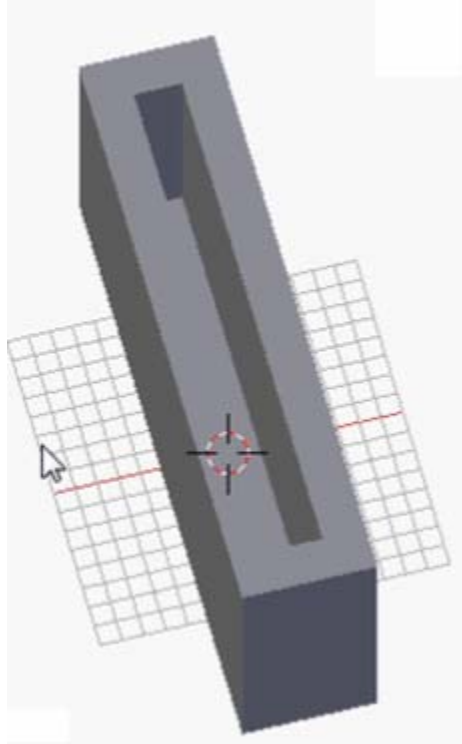
Mirror Editing

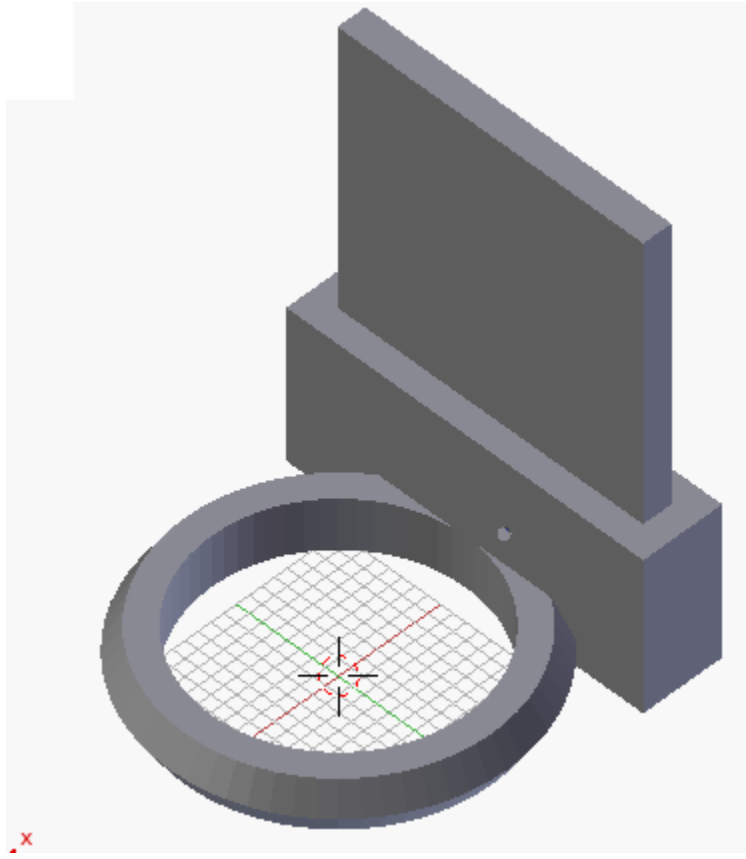
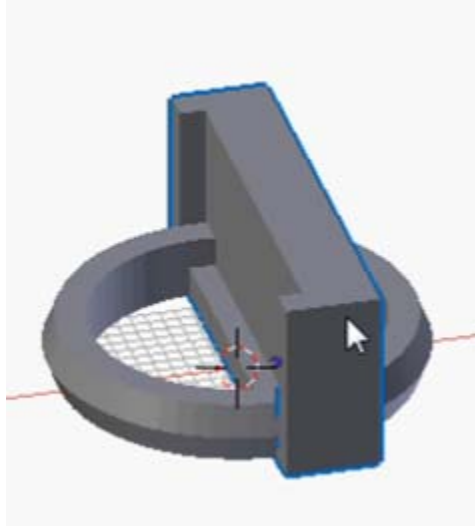
Proportional Editing

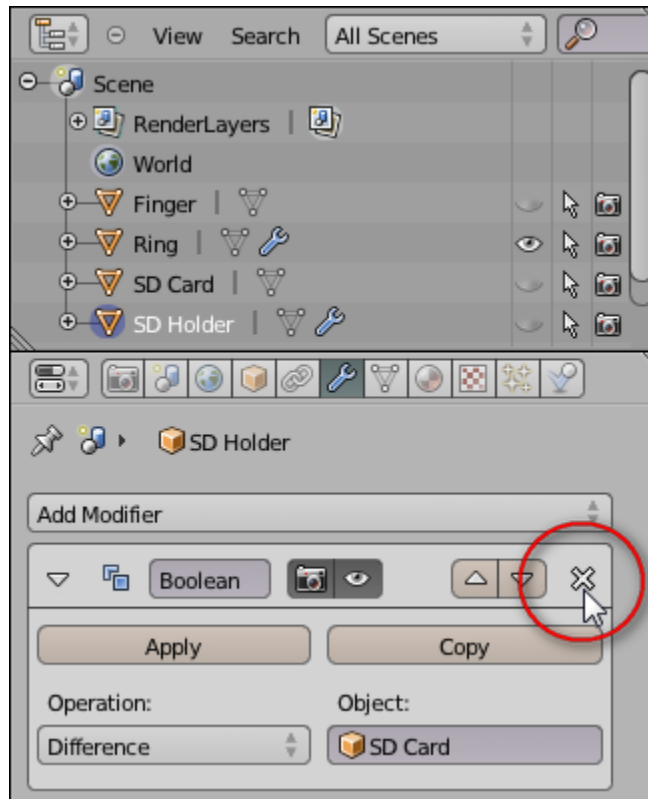
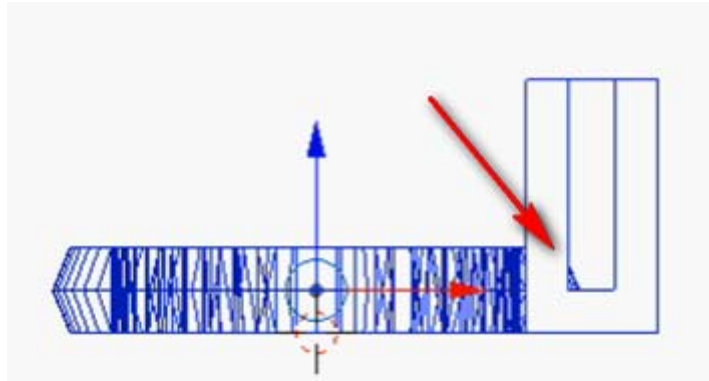
(1) SDCard

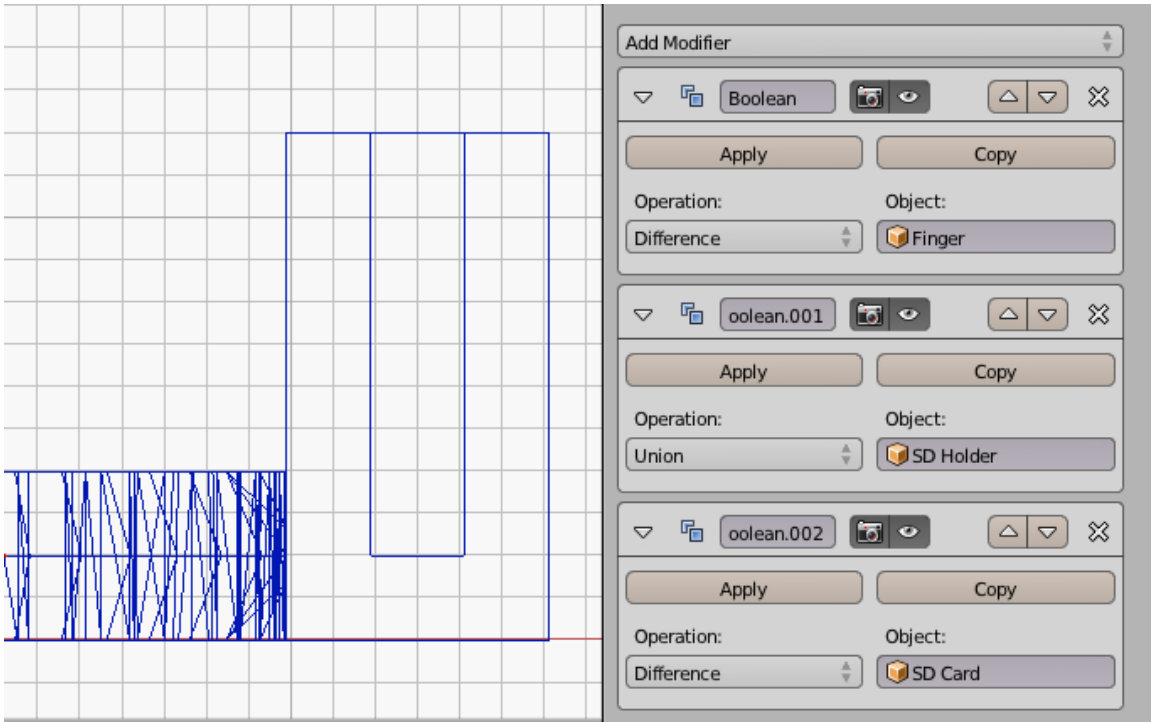
The image shows a software interface for editing a 3D object. On the left is a property panel with various options. On the right is a 3D view of a thin, dark gray rectangular plate, oriented vertically. It is positioned on a grid with a coordinate system (X, Y, Z axes) at its base. A dashed blue circle with a crosshair is centered at the origin of the coordinate system. The text "(1) SDCard" is visible below the 3D view.



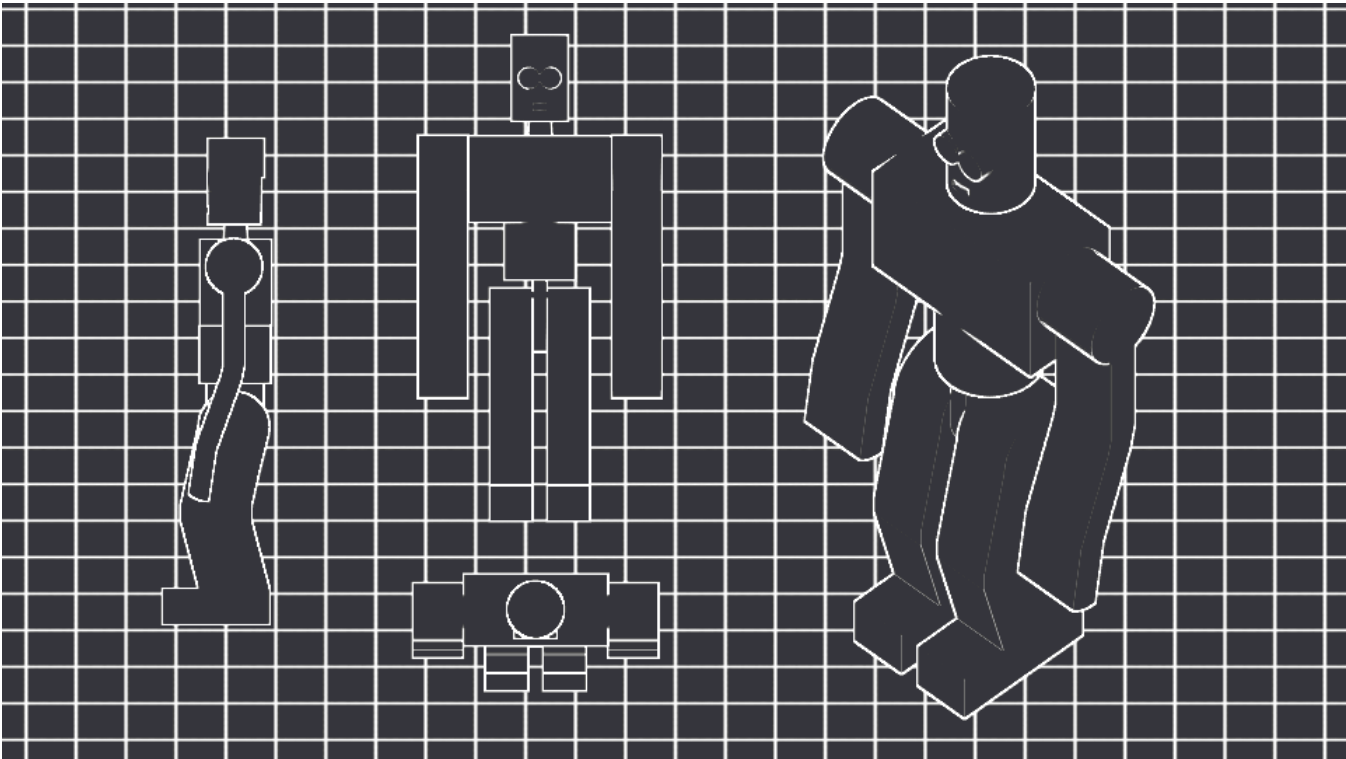


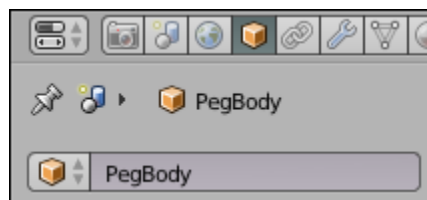
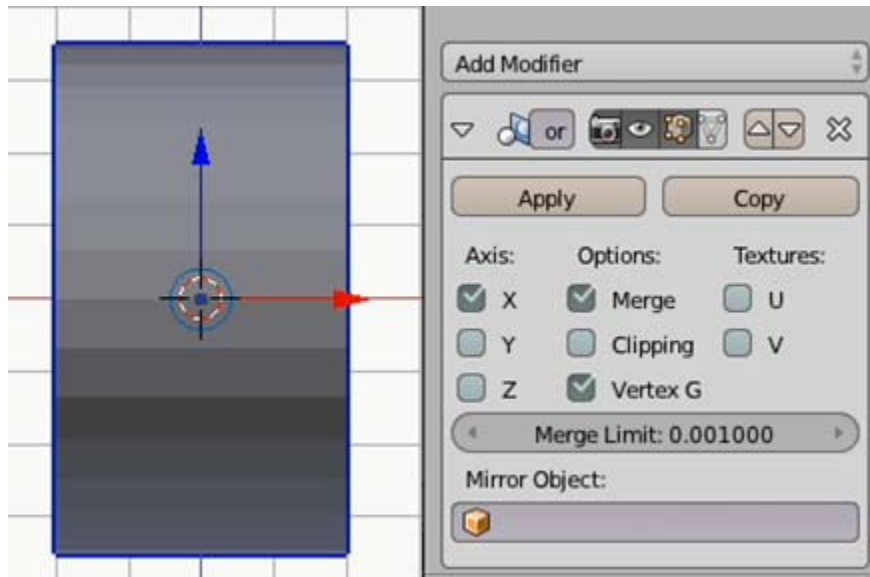
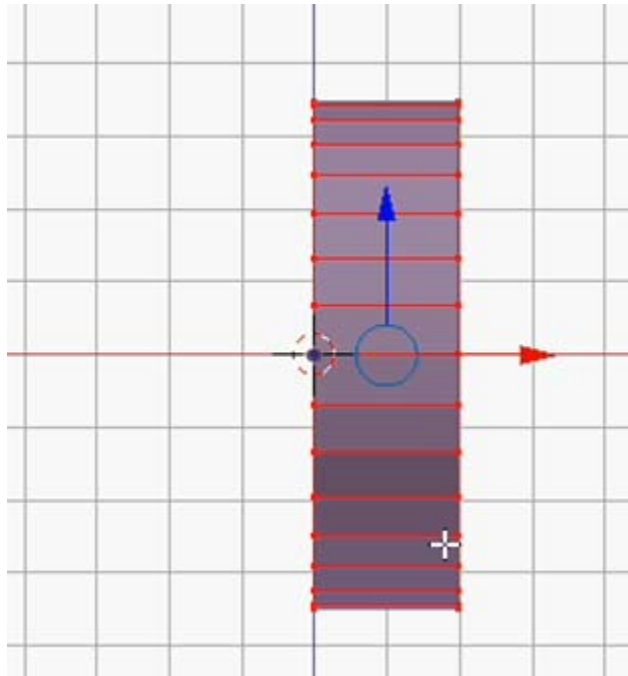


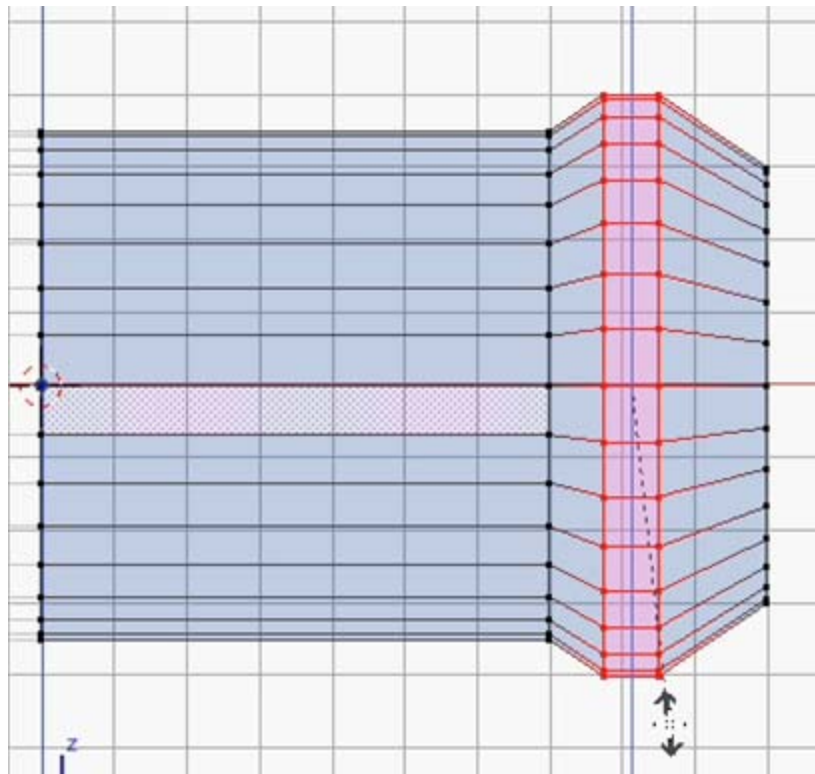
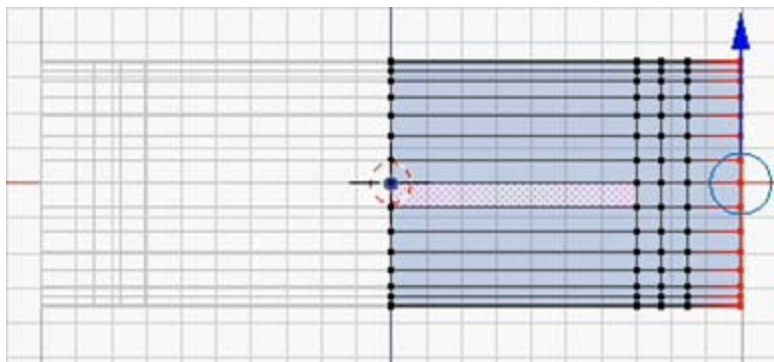
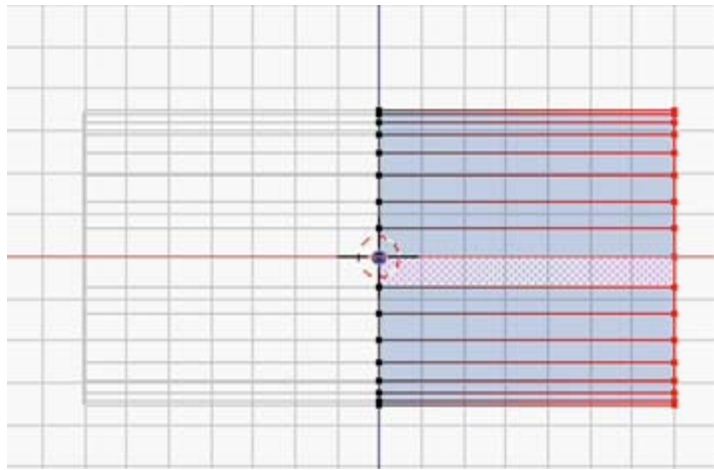


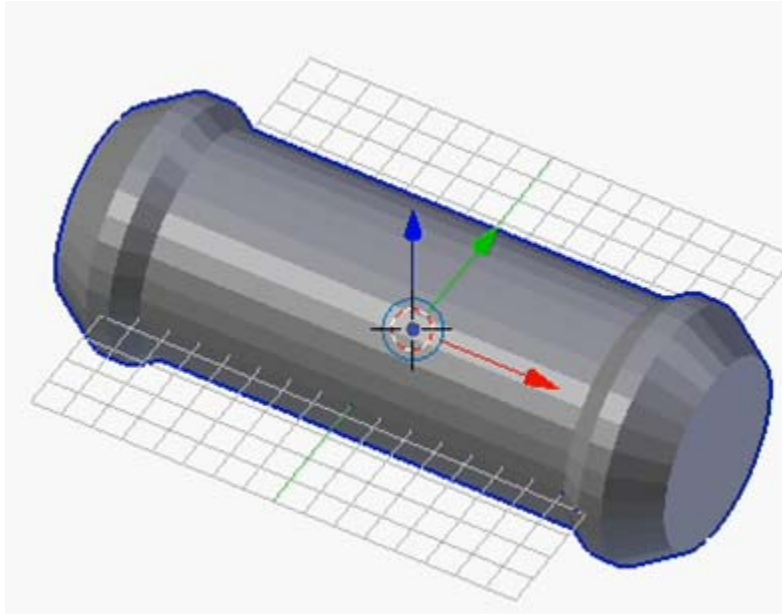


Chapter 5: Modular Robot Toy










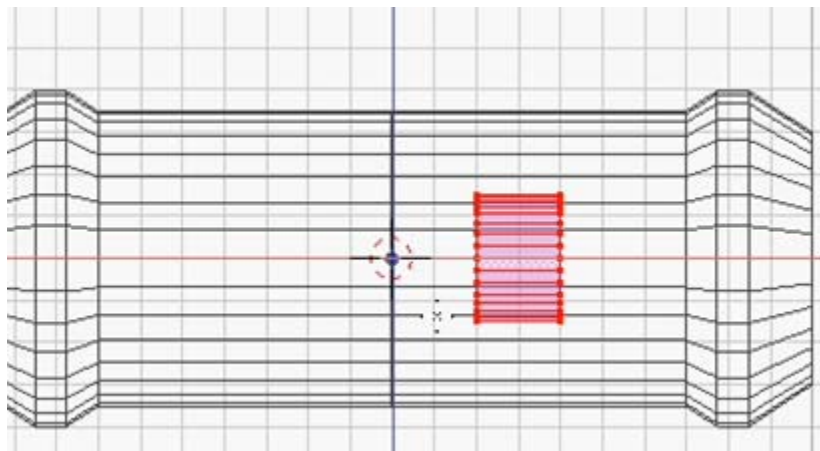
▼ Add Cylinder

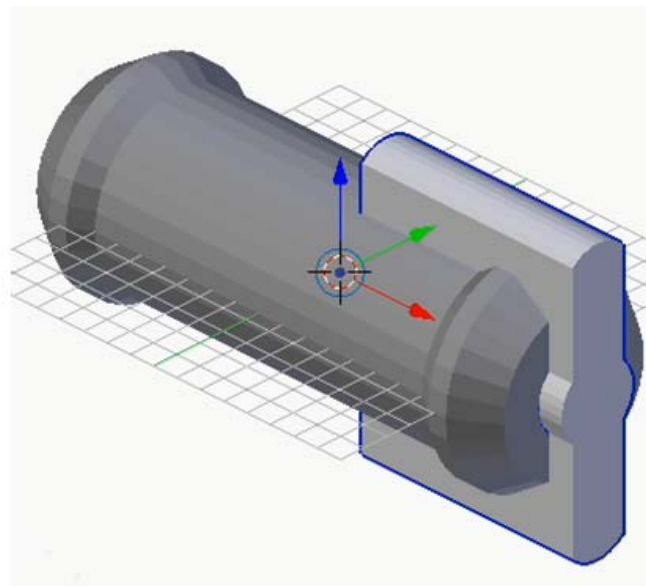
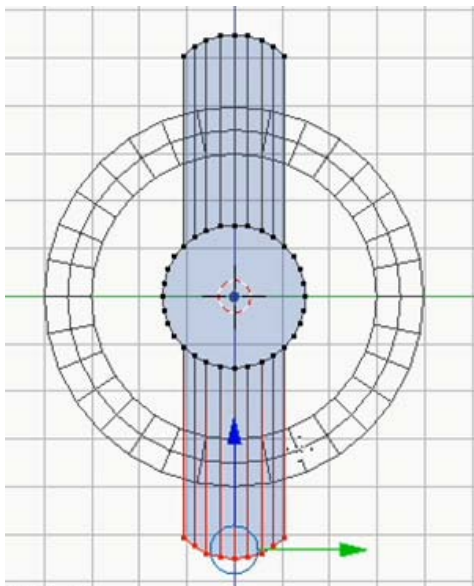
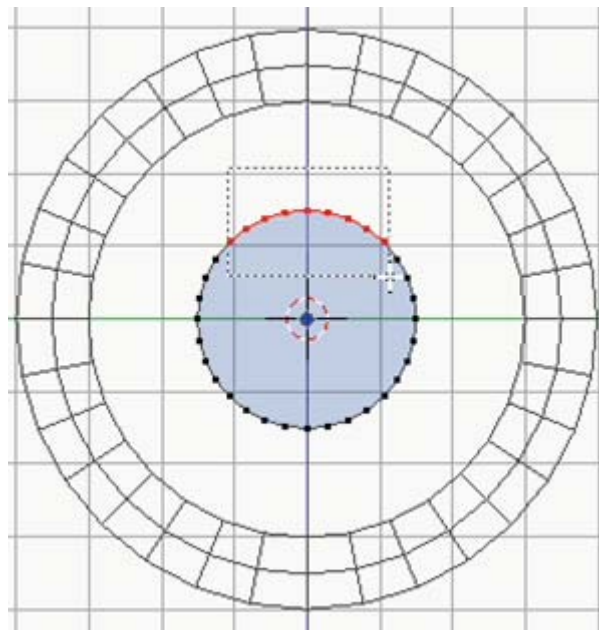
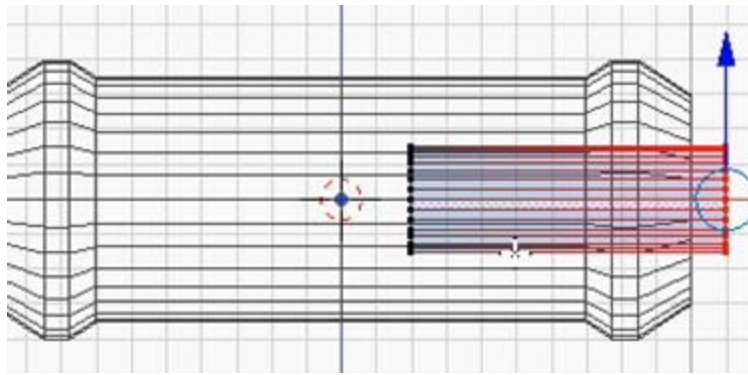
Vertices
◀ 32 ▶

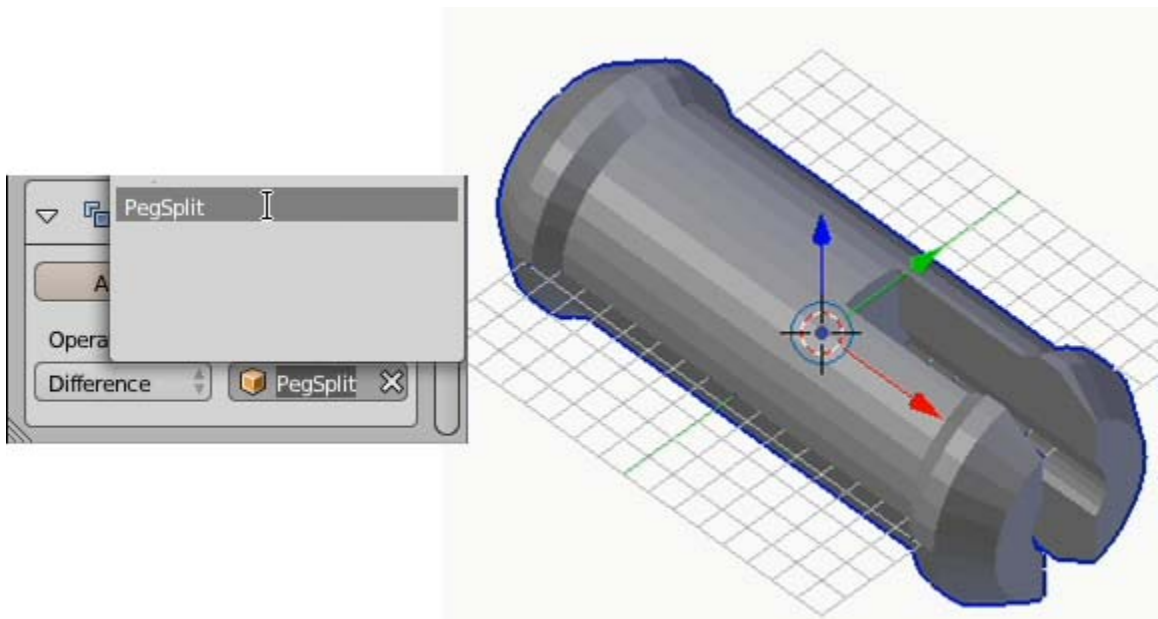
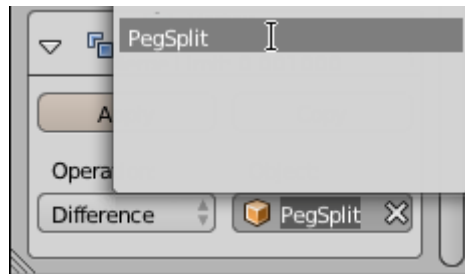
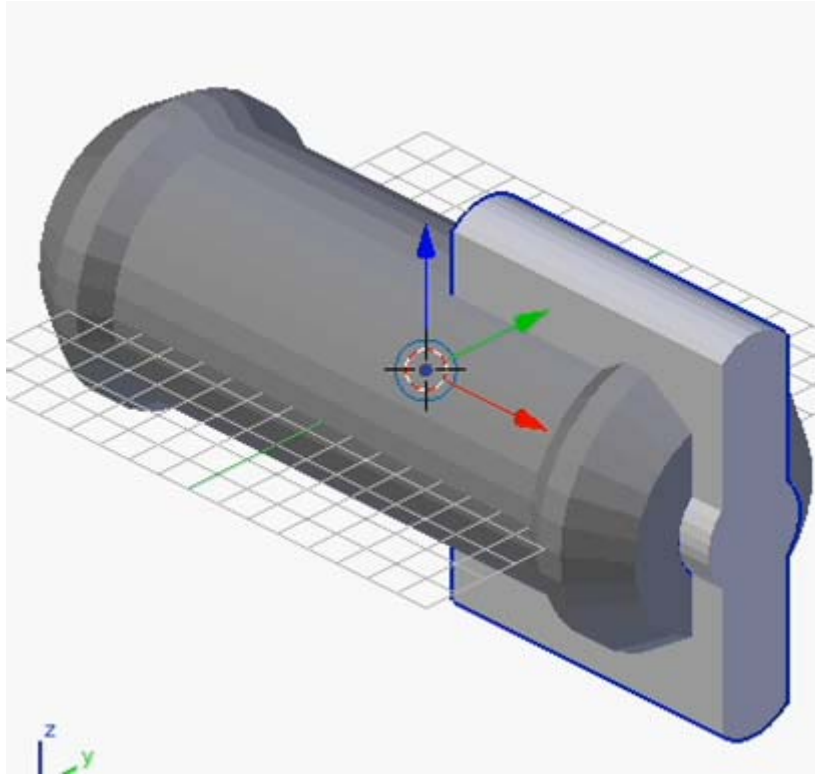
Radius
◀ 1.500 ▶

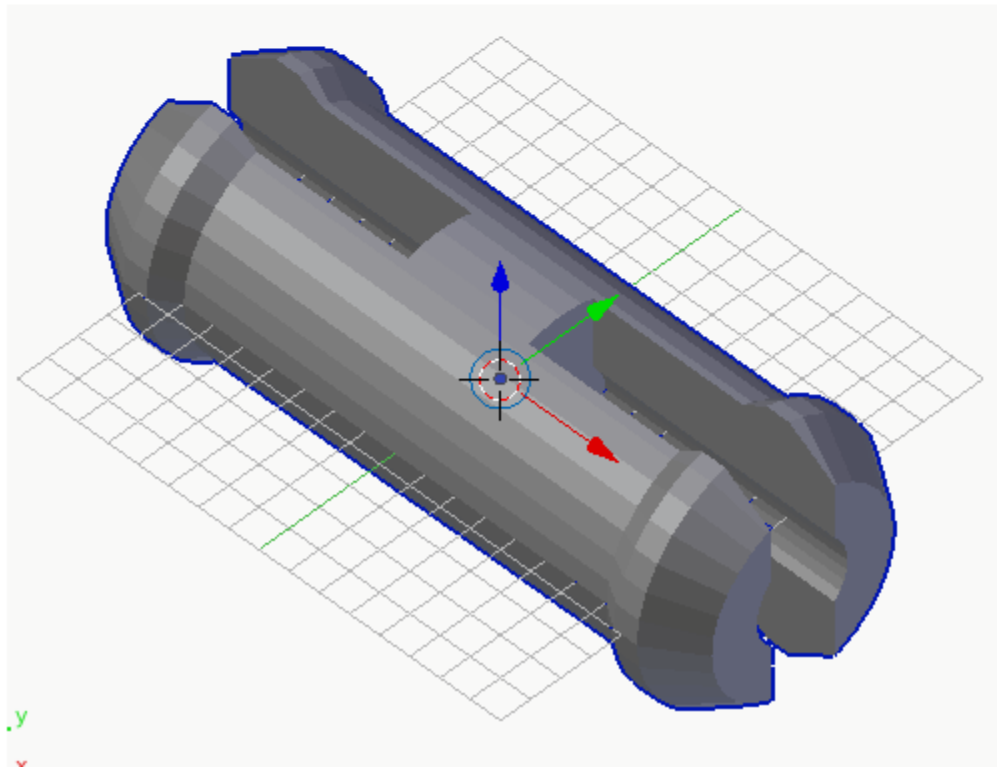
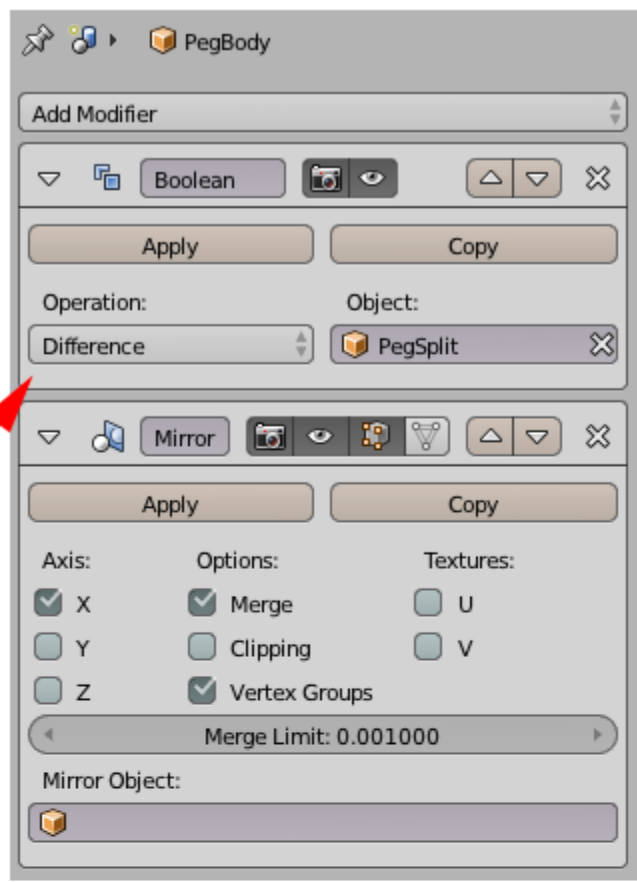
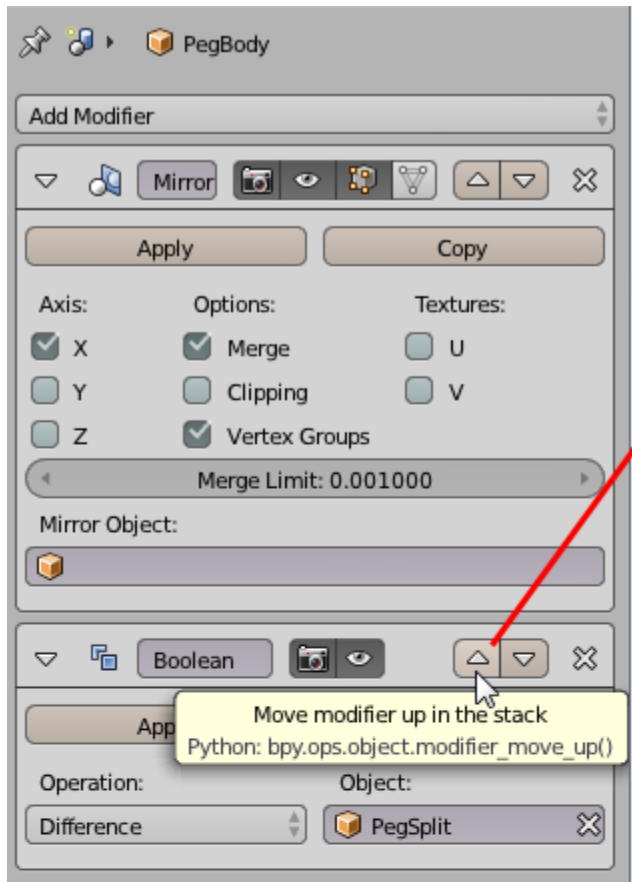
Depth
◀ 2.000 ▶

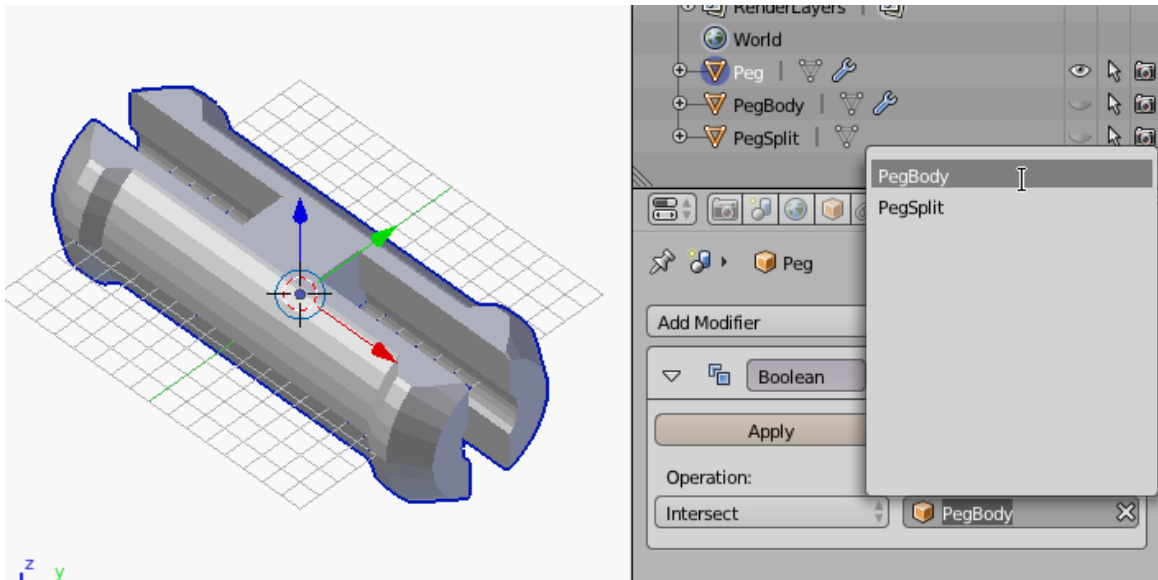
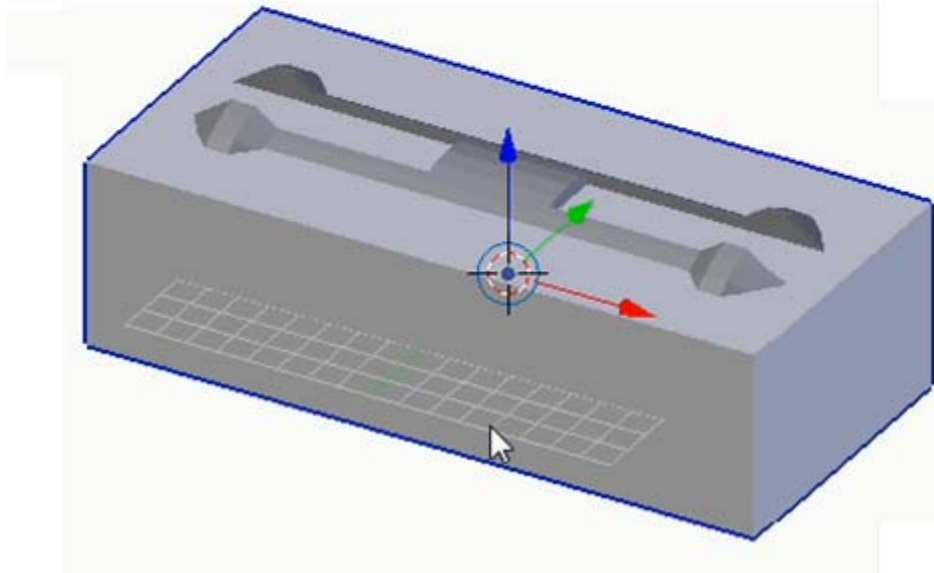
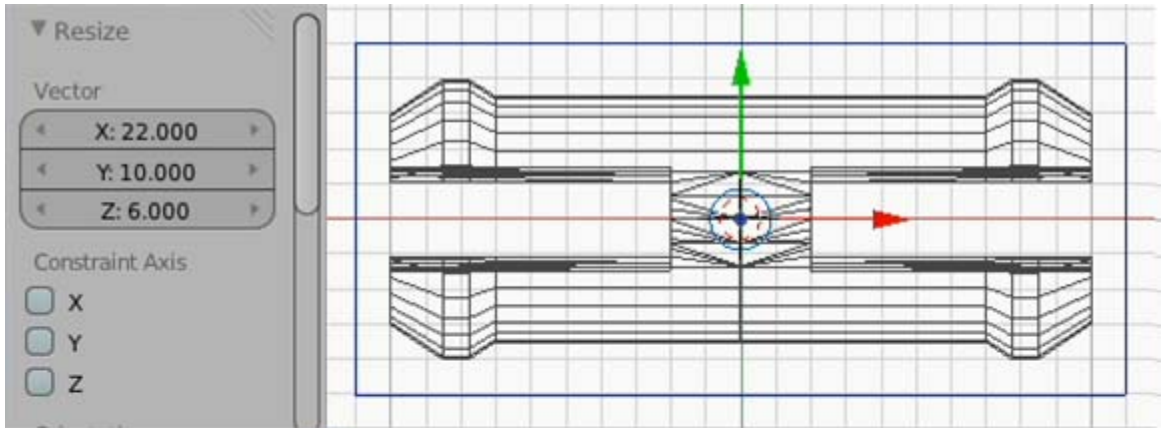
 PegSplit

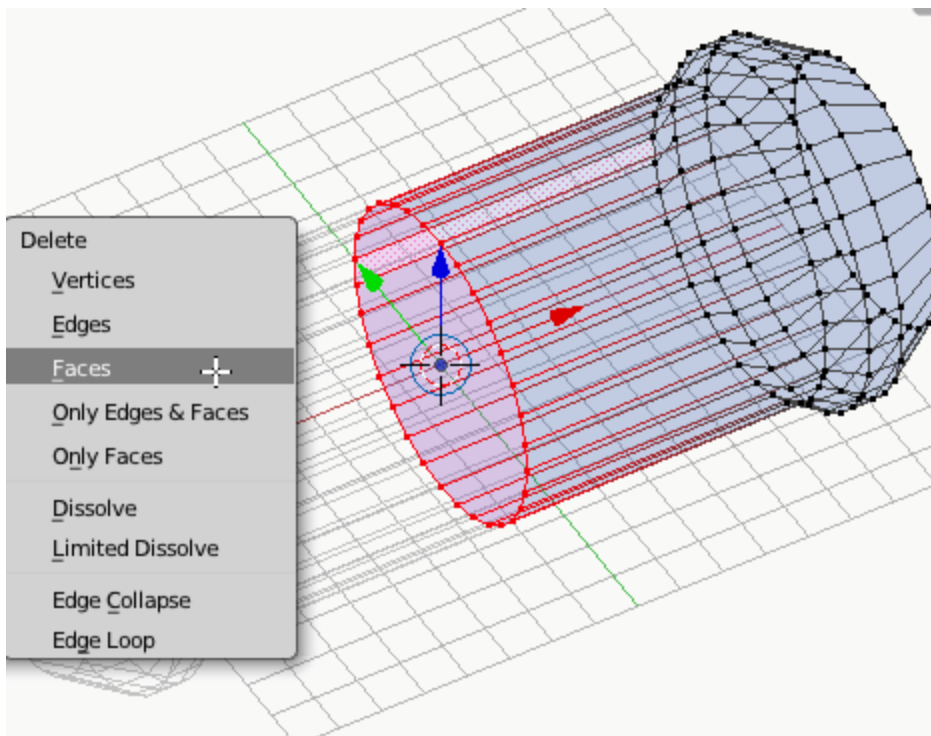
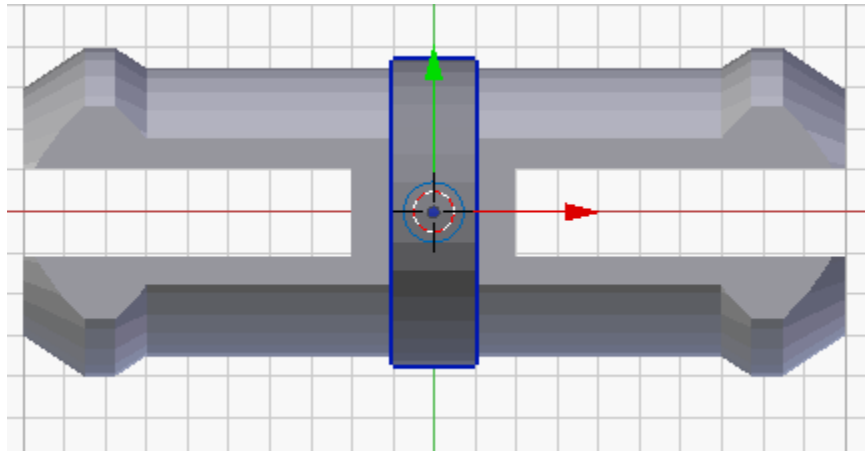


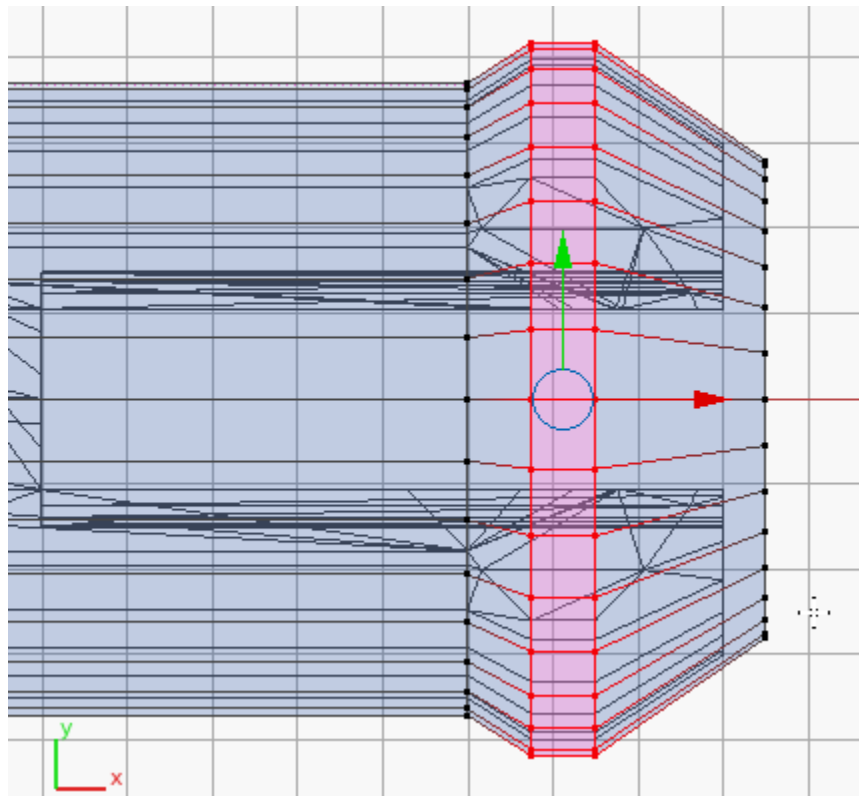
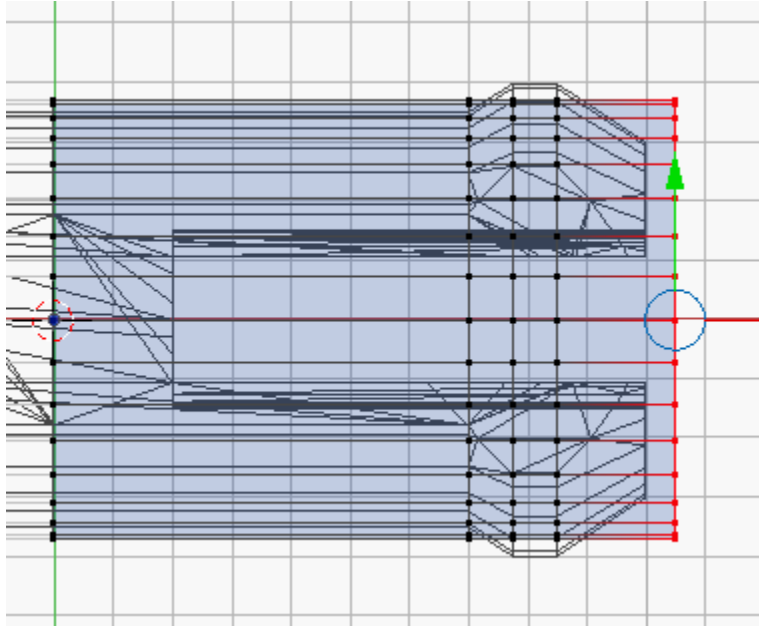


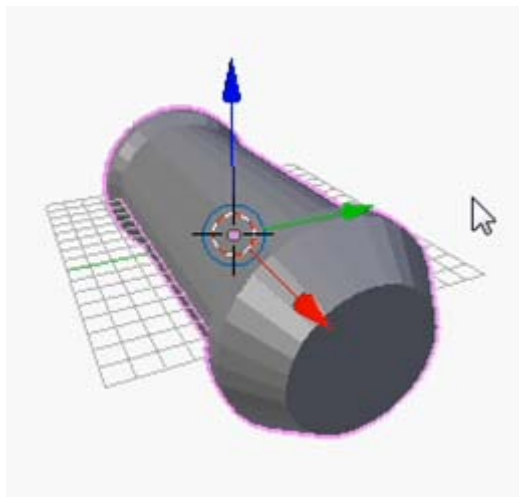
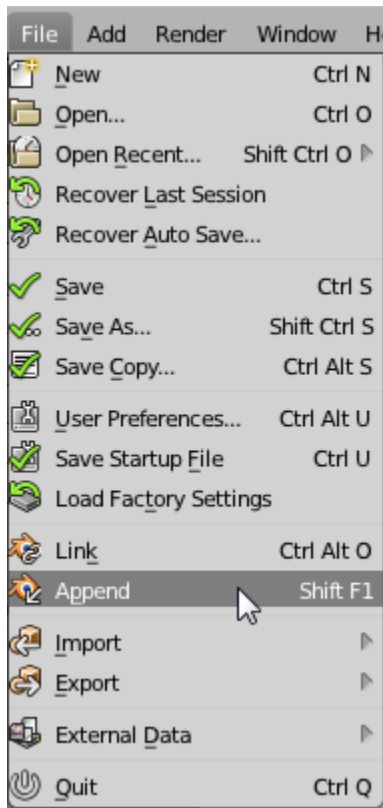


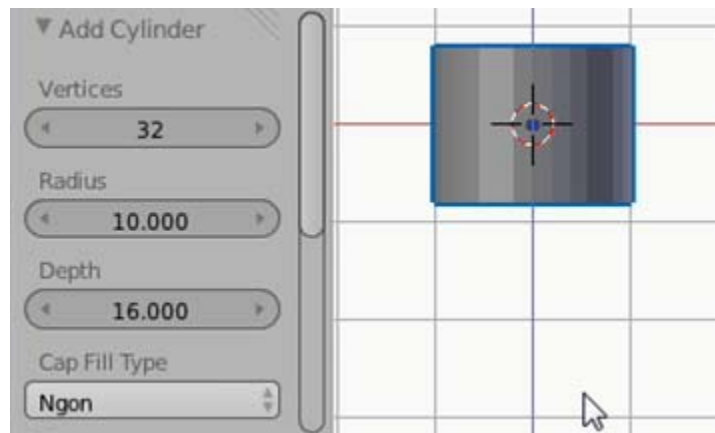
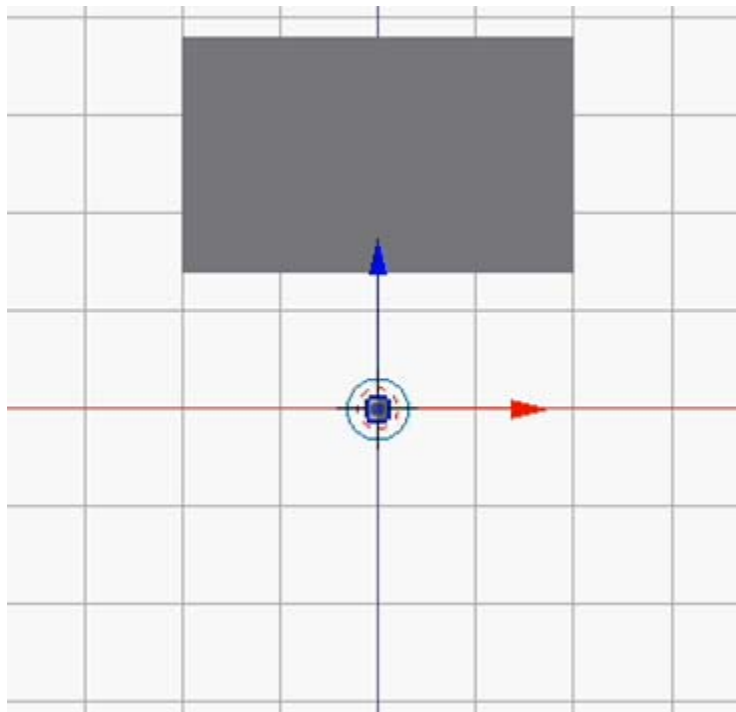
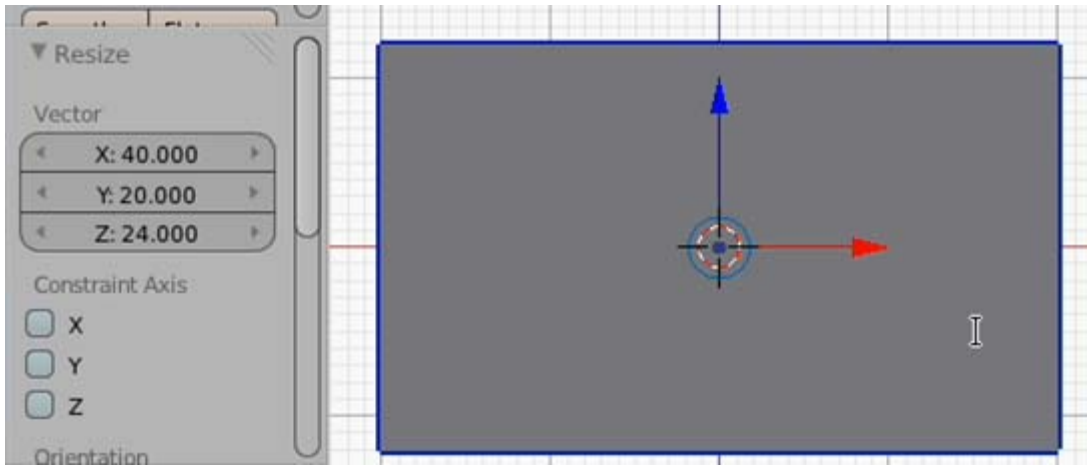


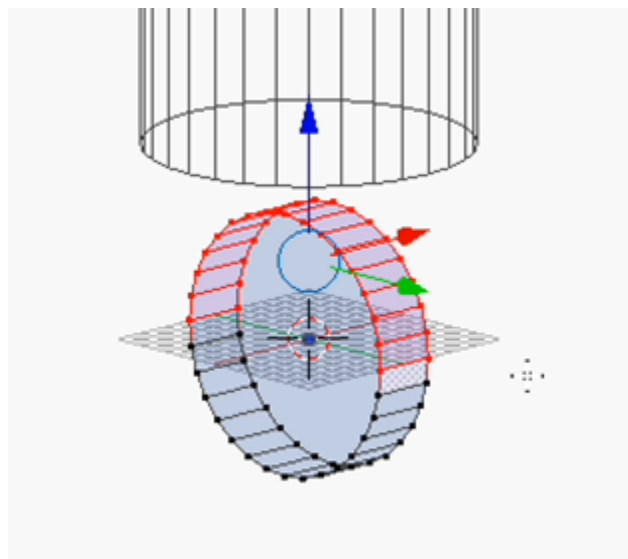
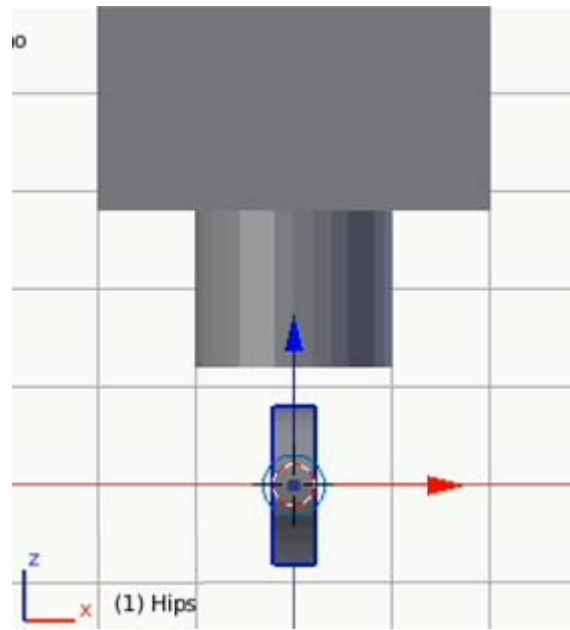


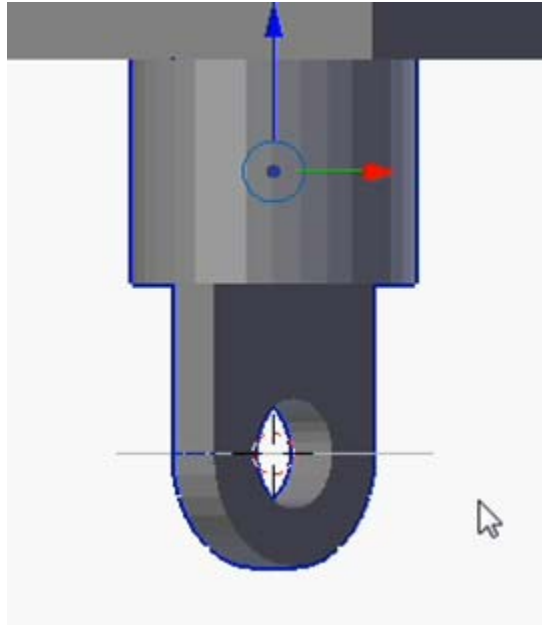
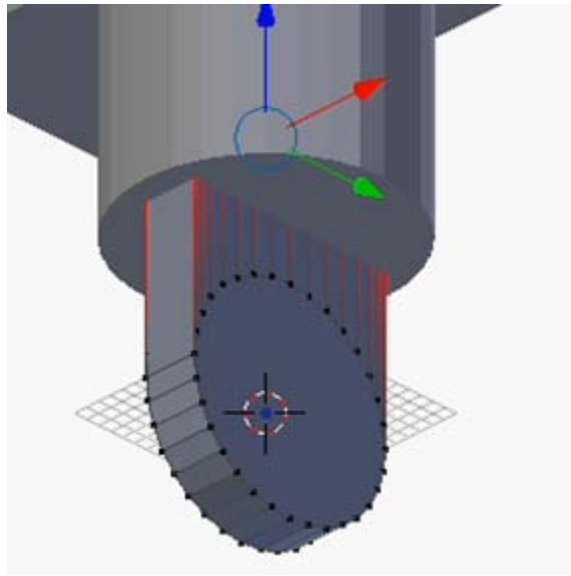


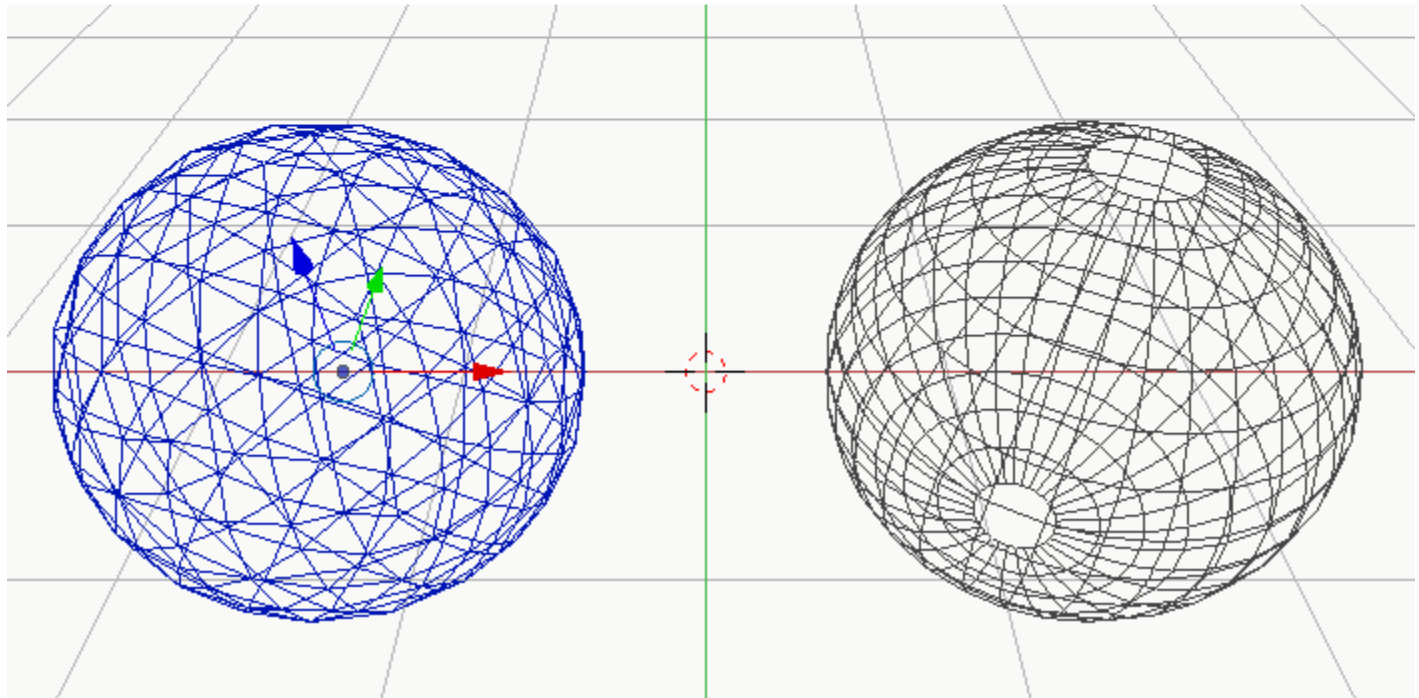
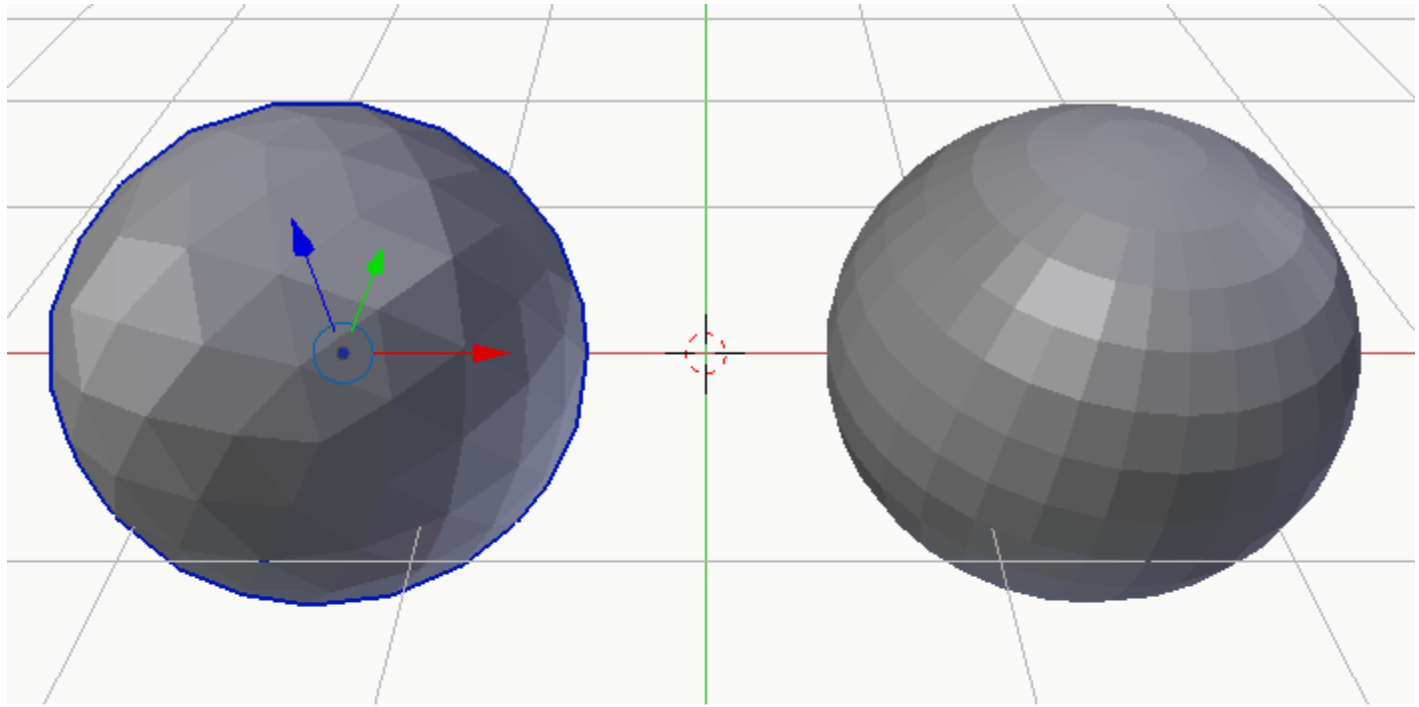


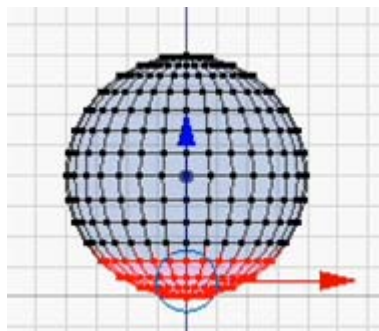
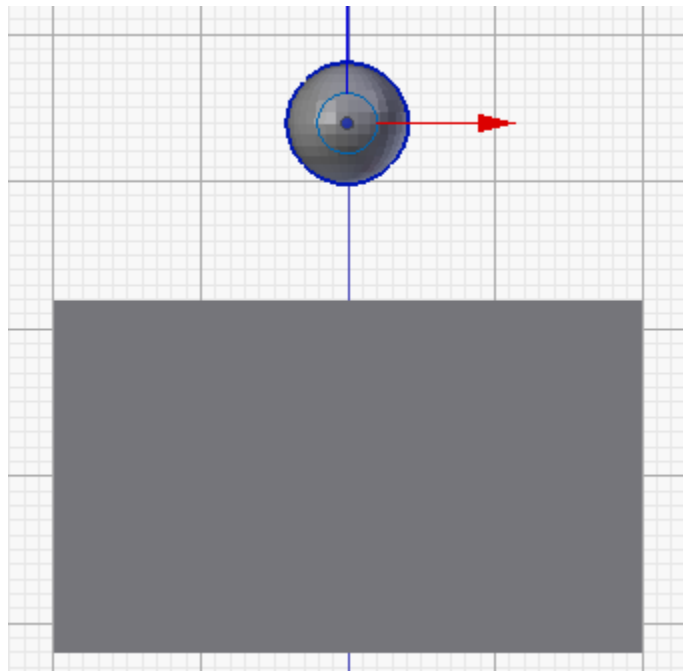
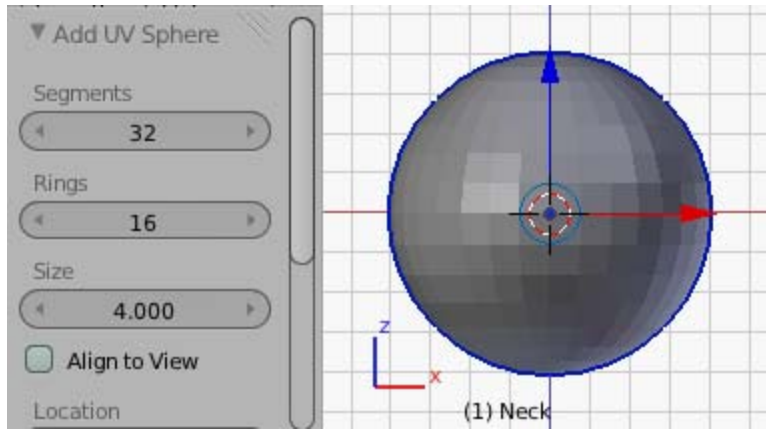


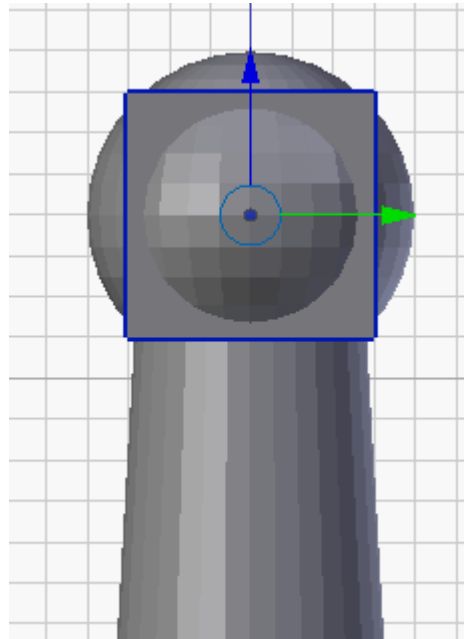
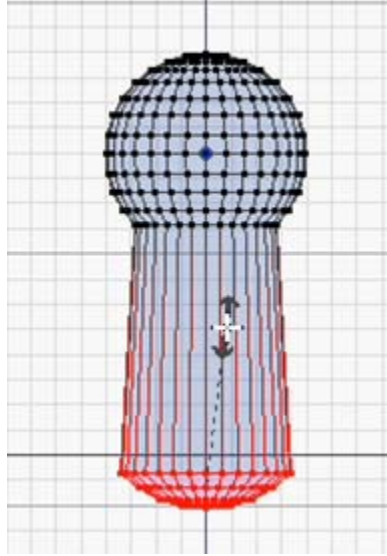


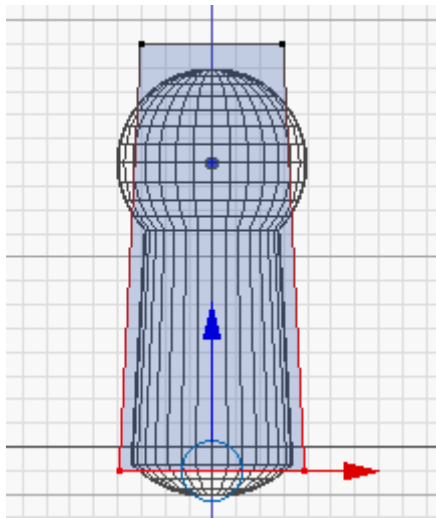
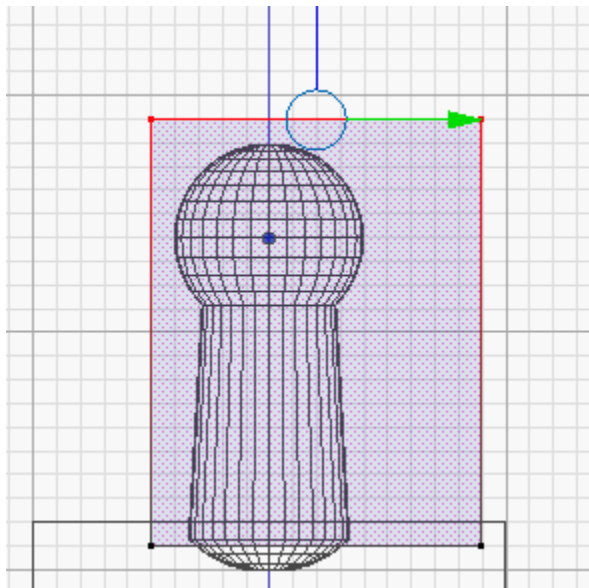


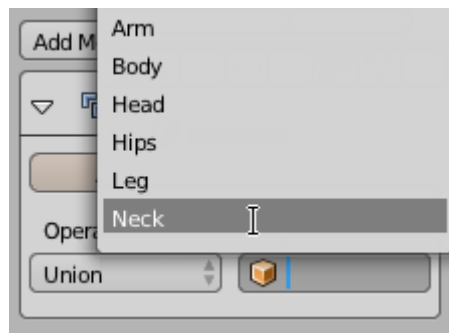
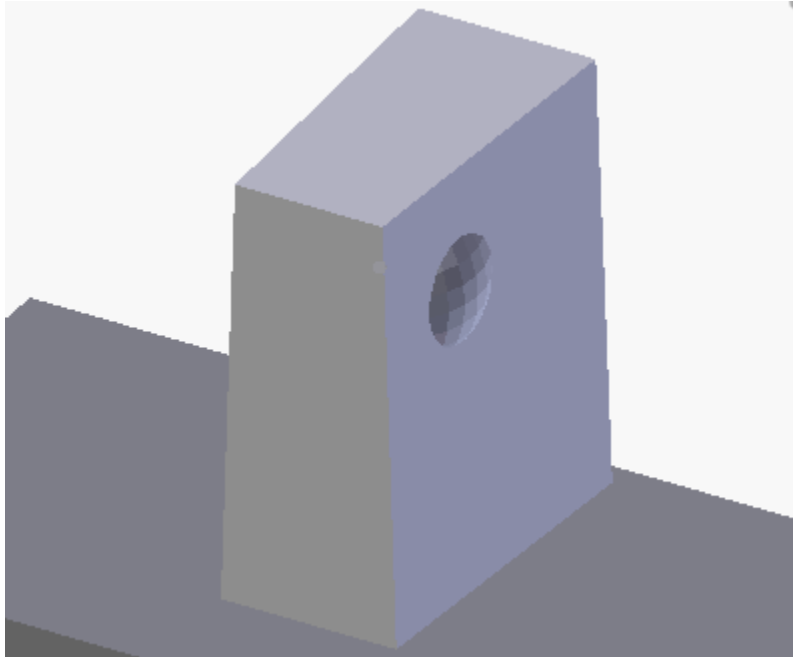


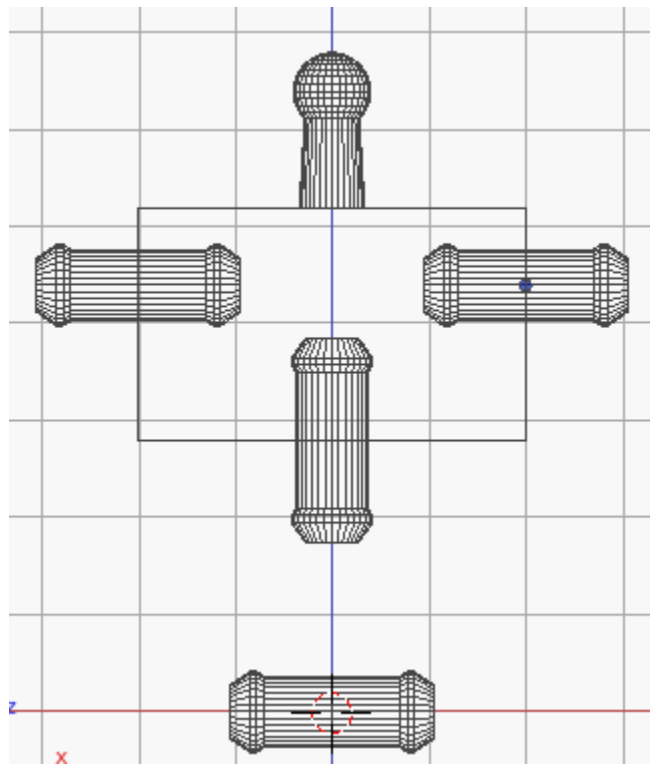
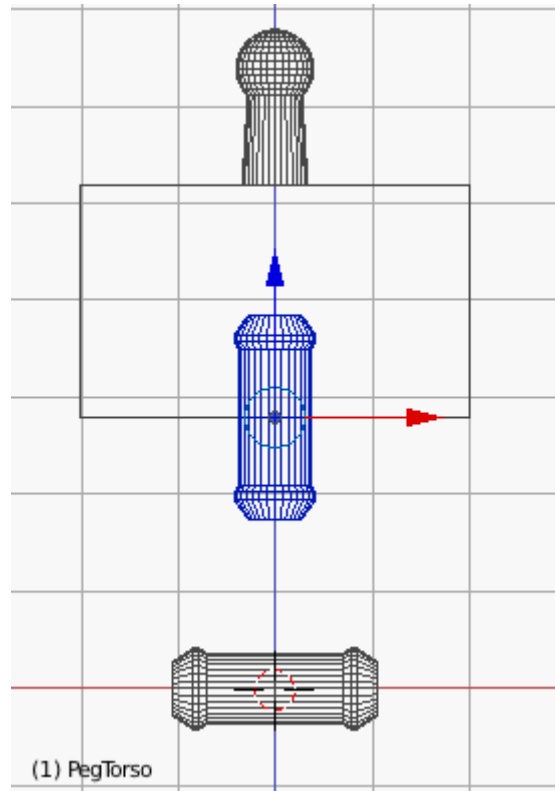


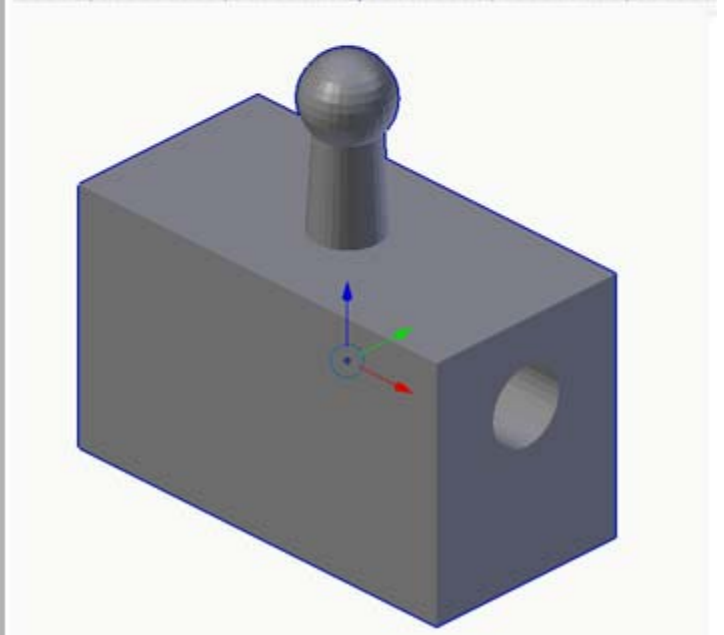
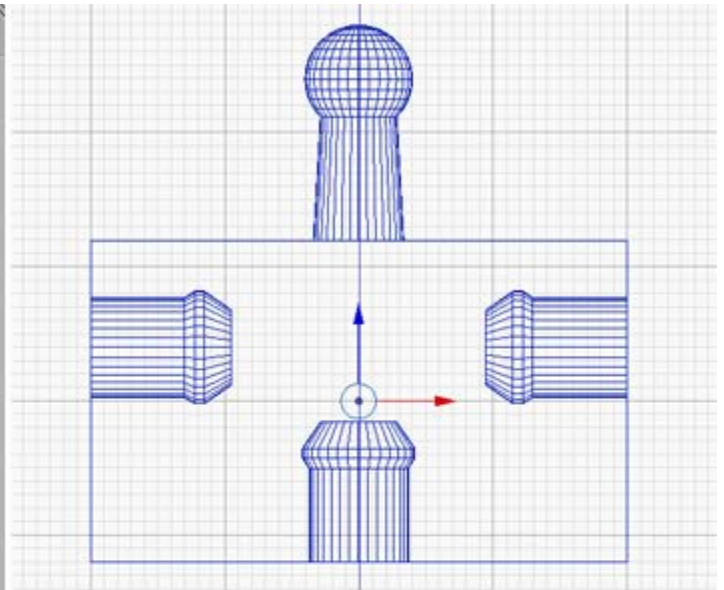
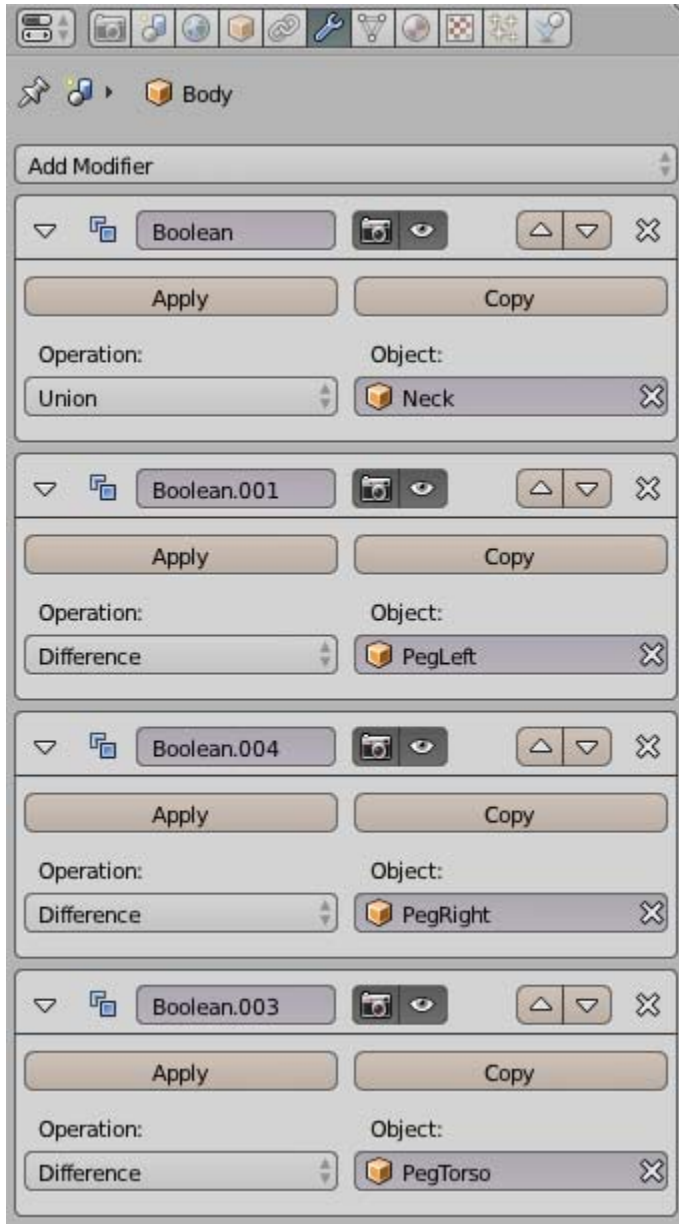


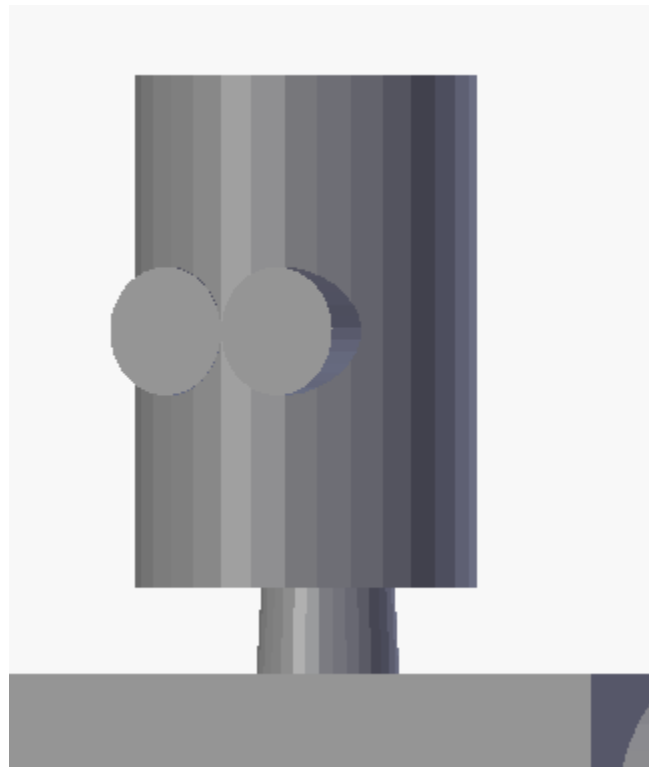
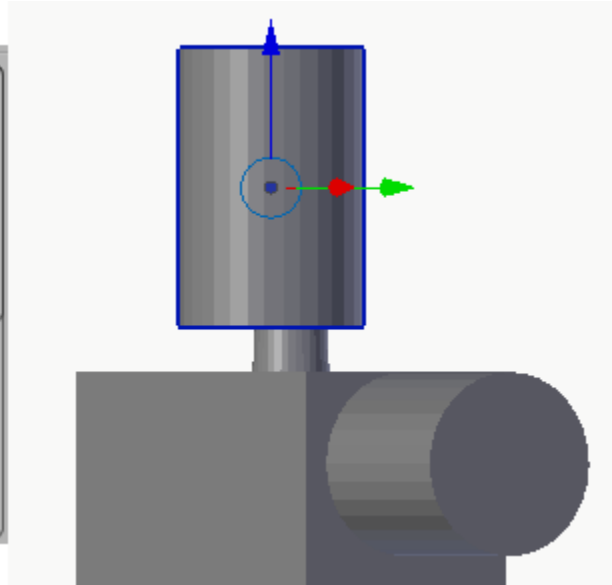
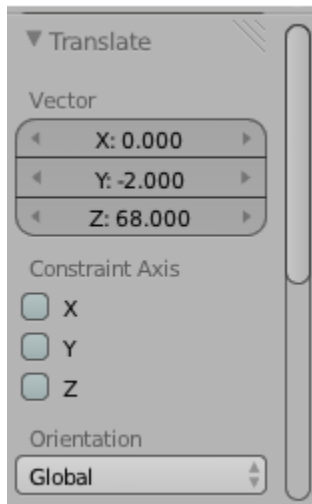


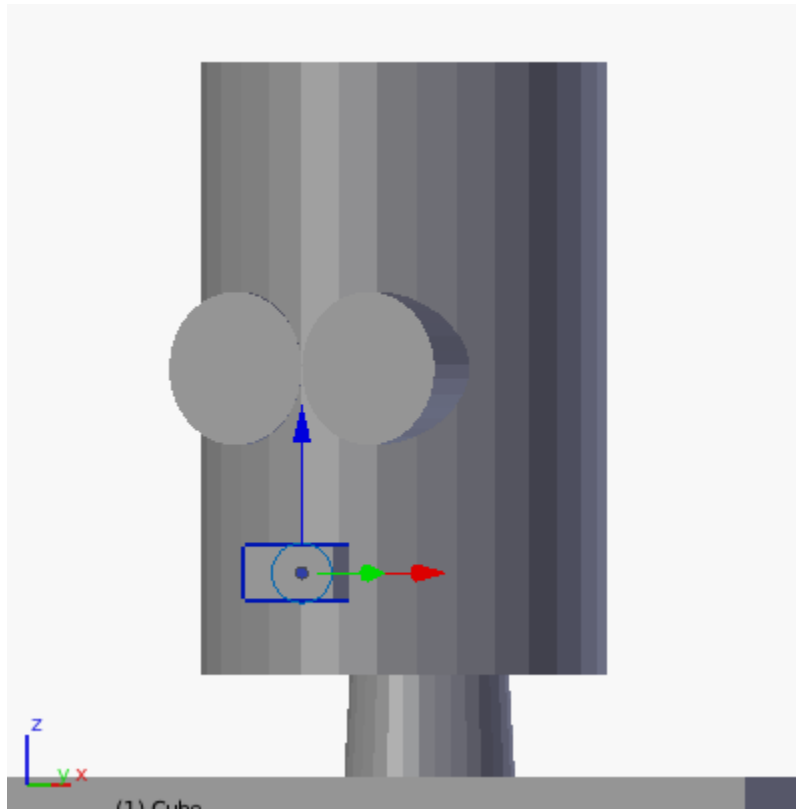


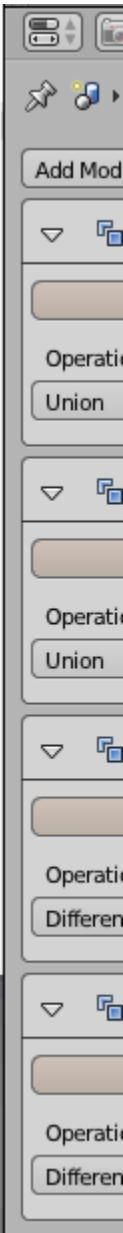
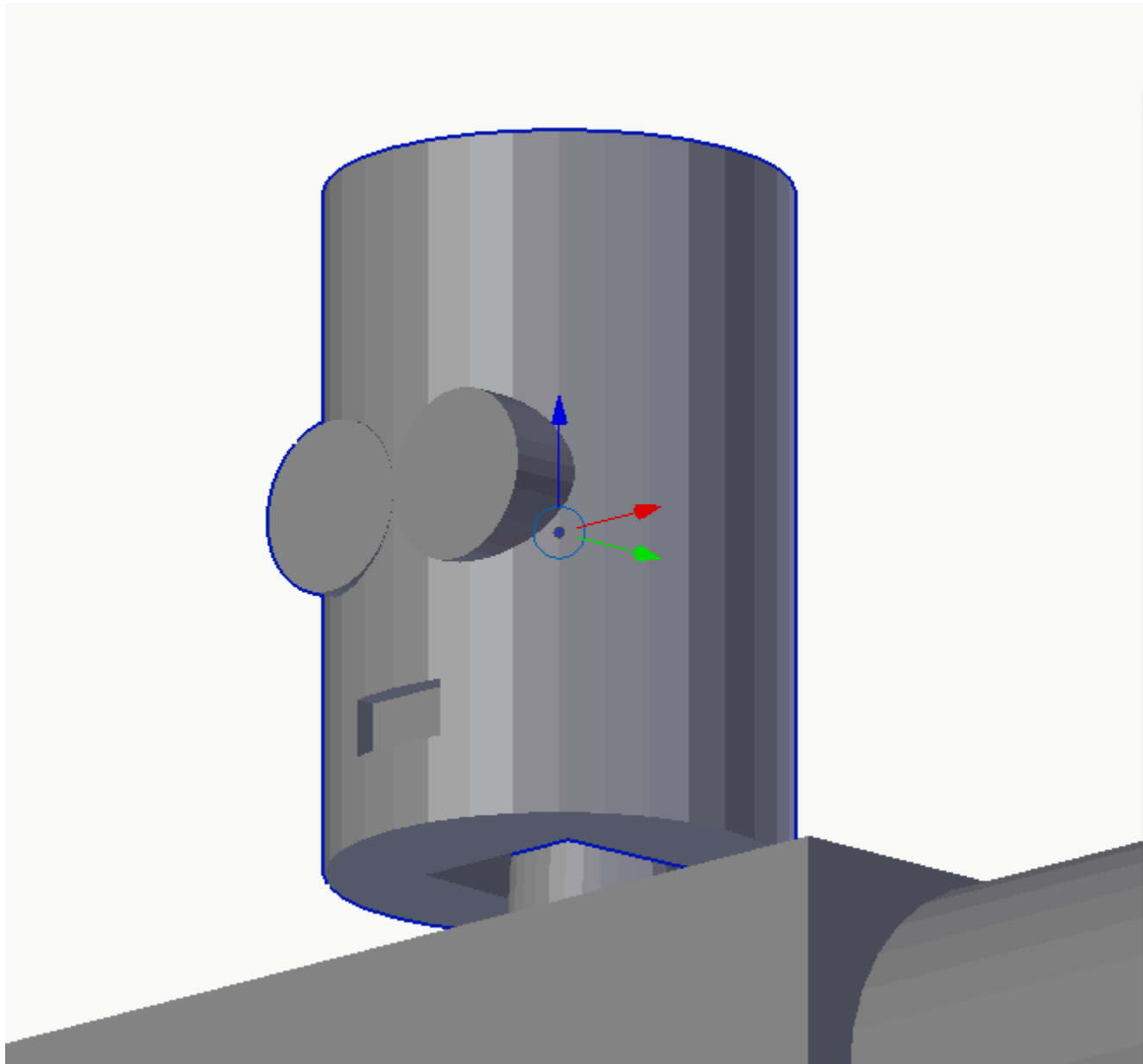


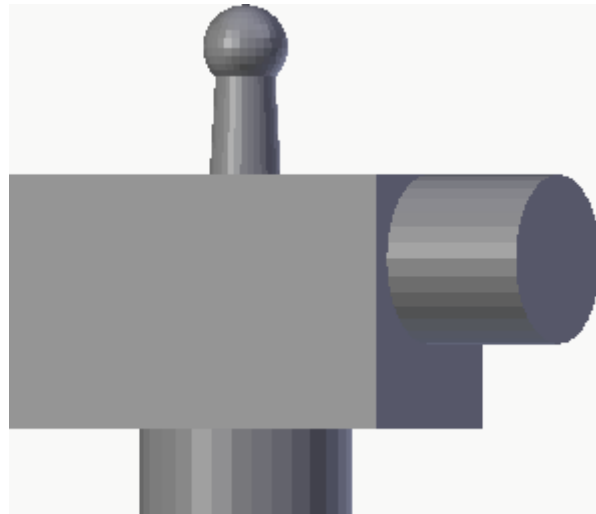
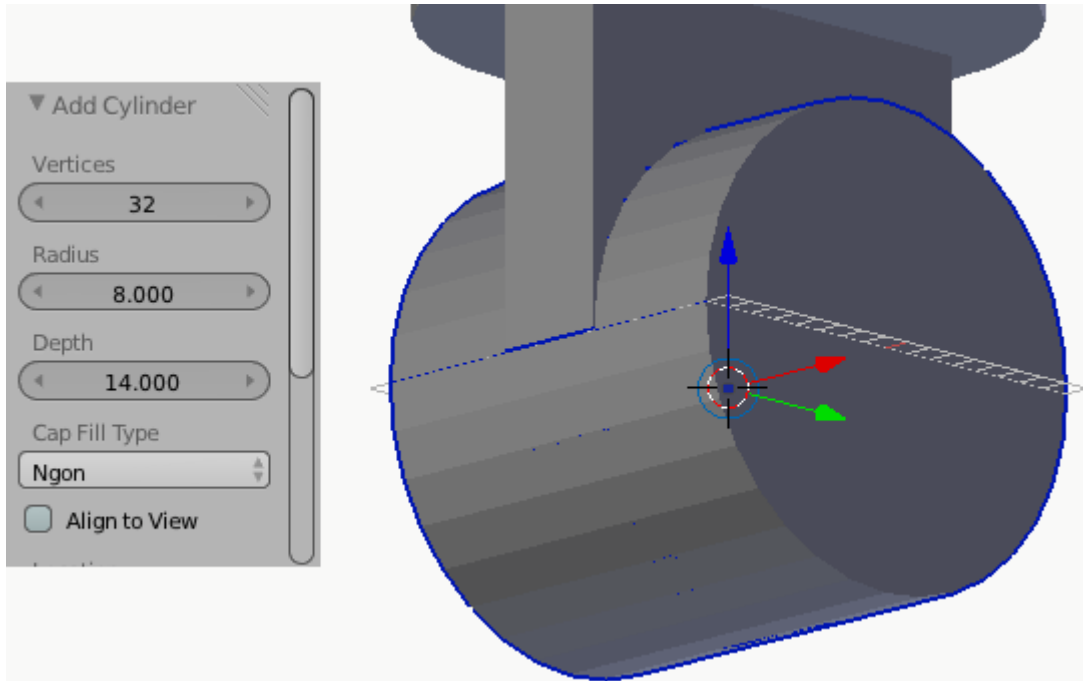


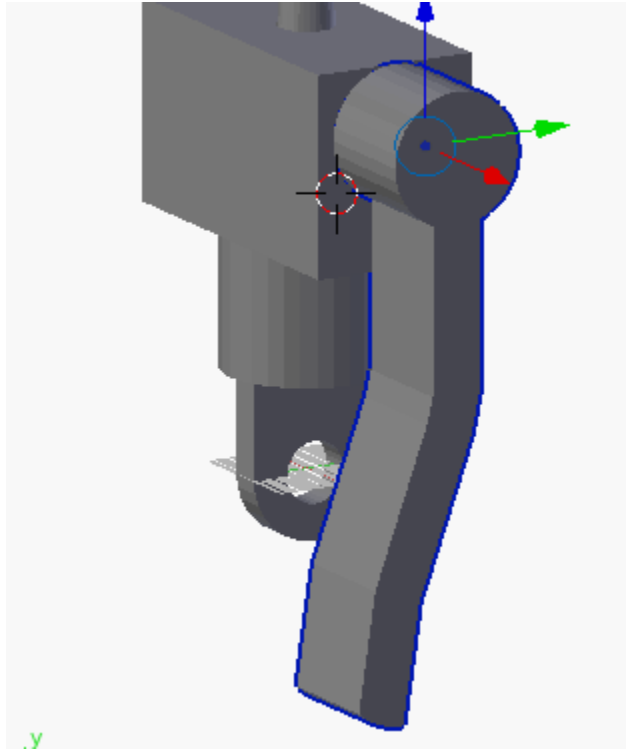
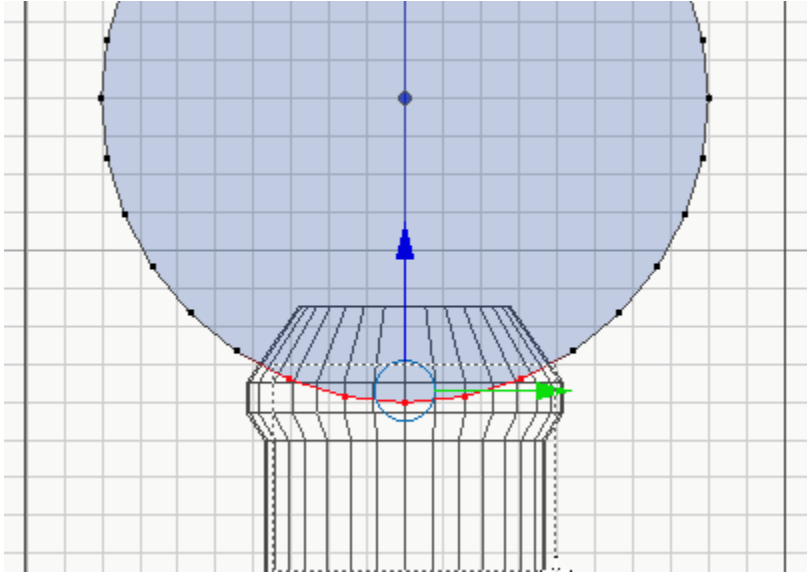


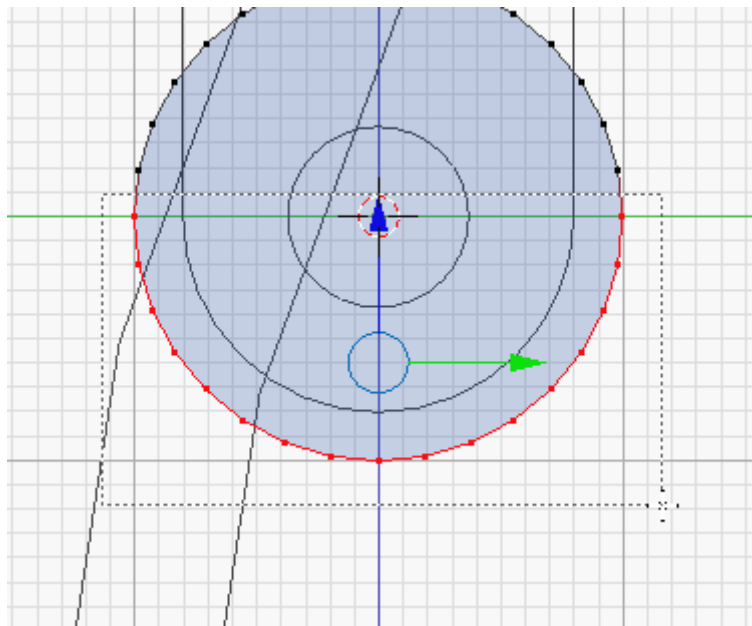
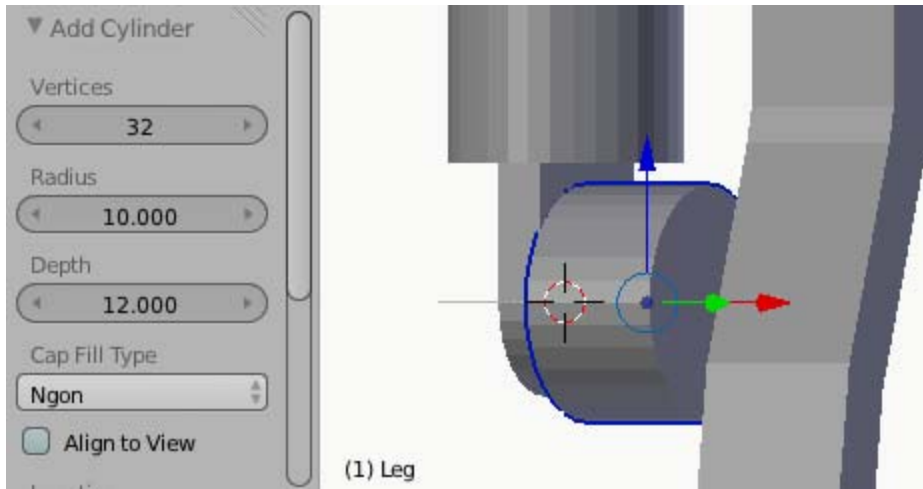


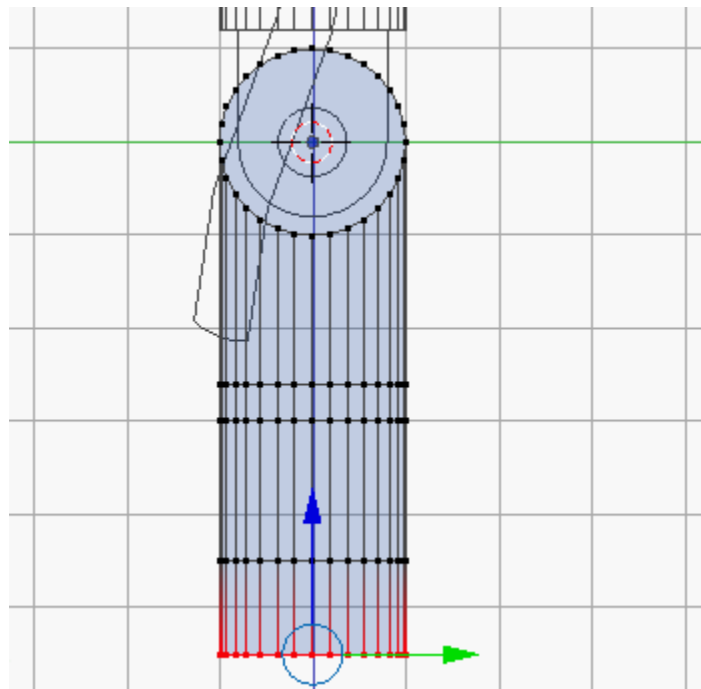
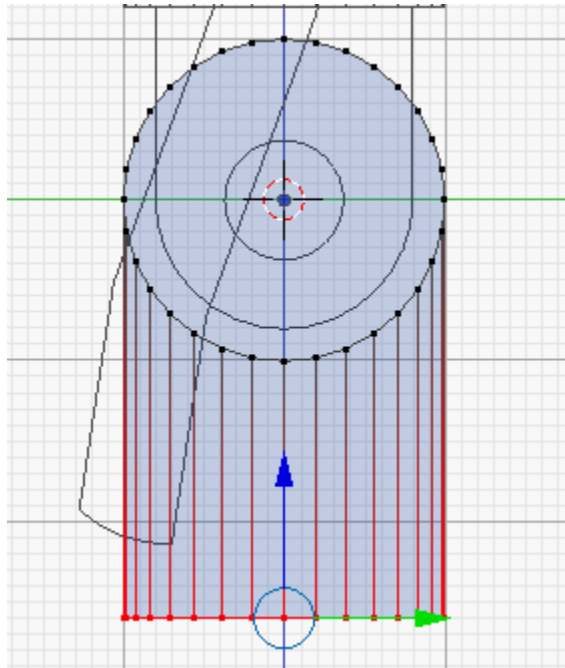


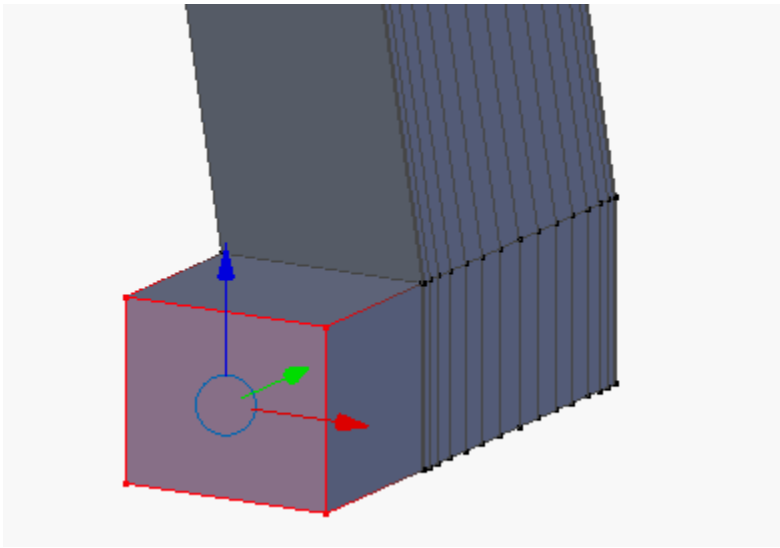
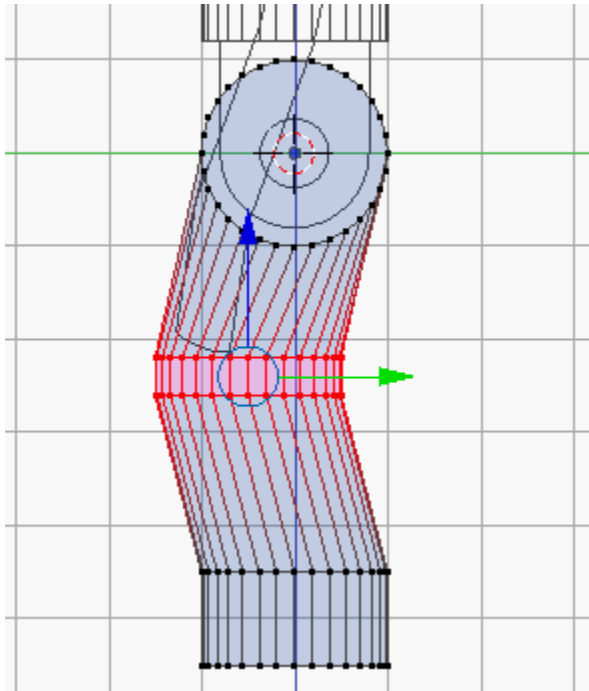


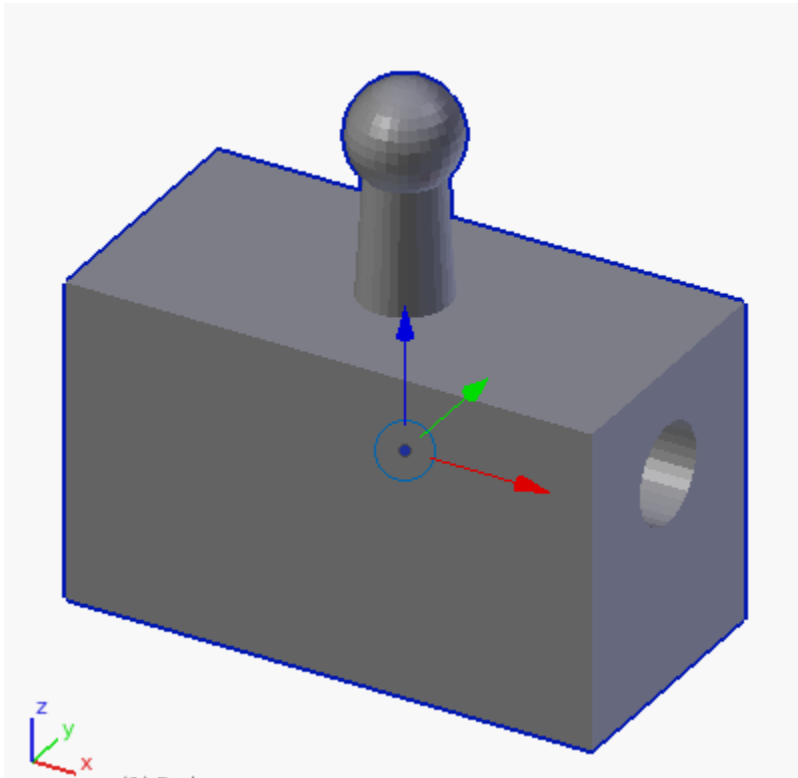
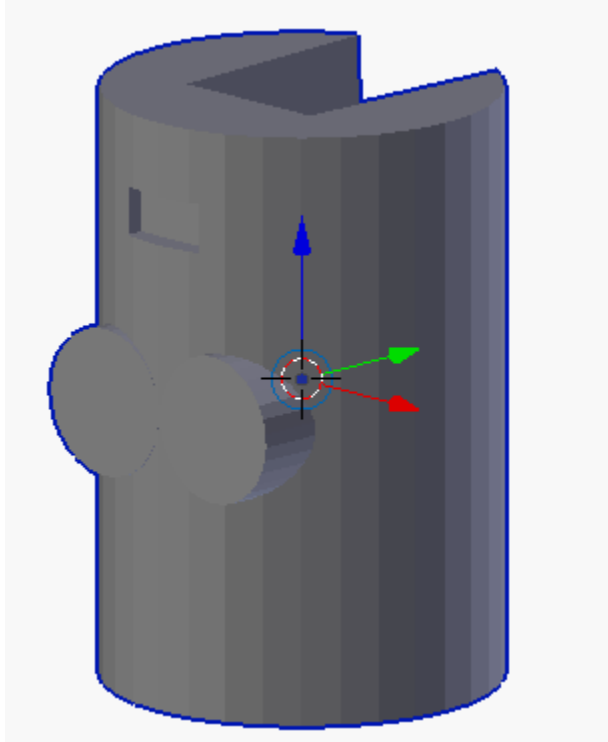


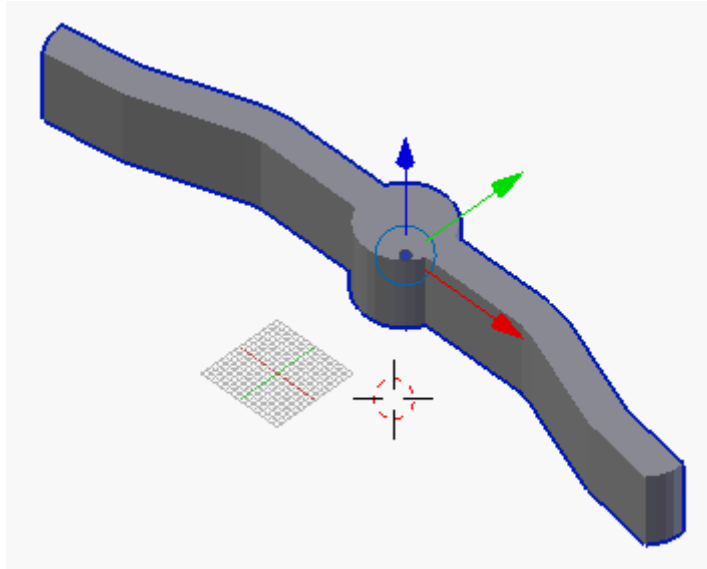
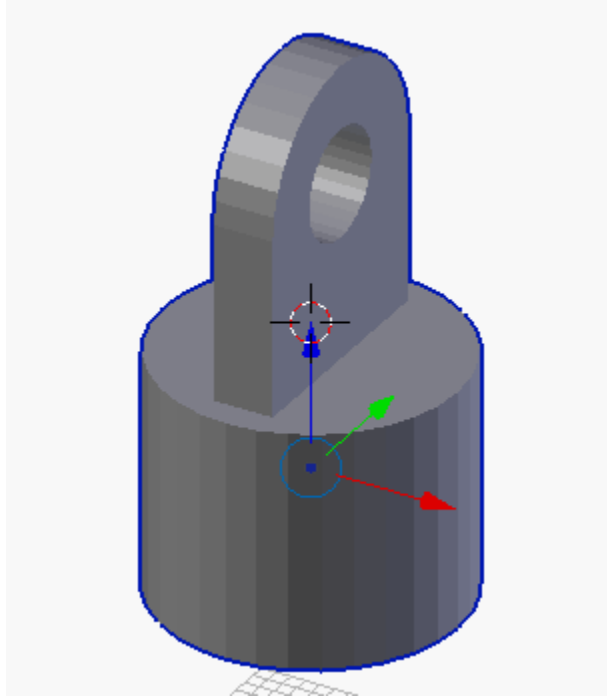


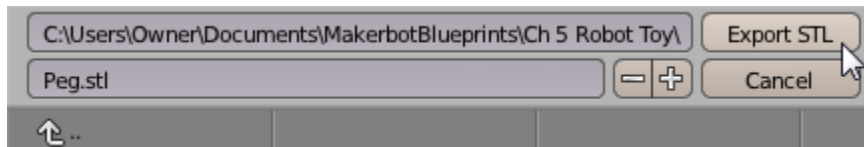
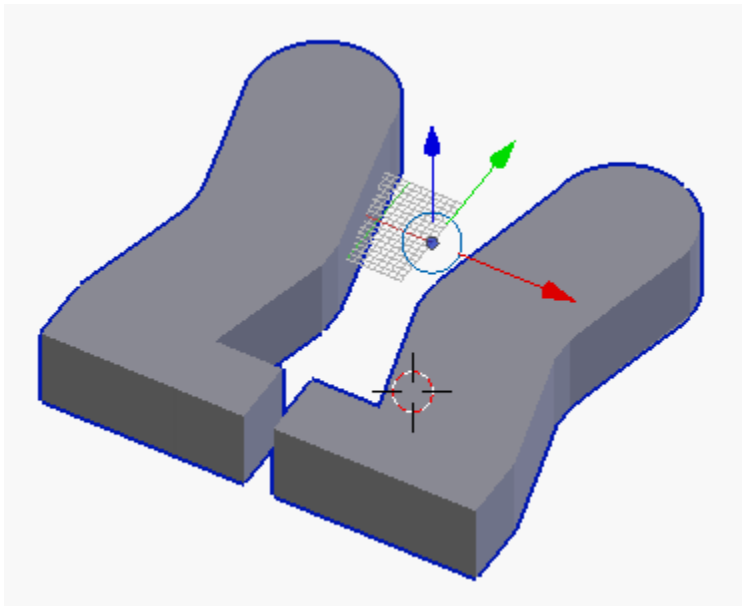
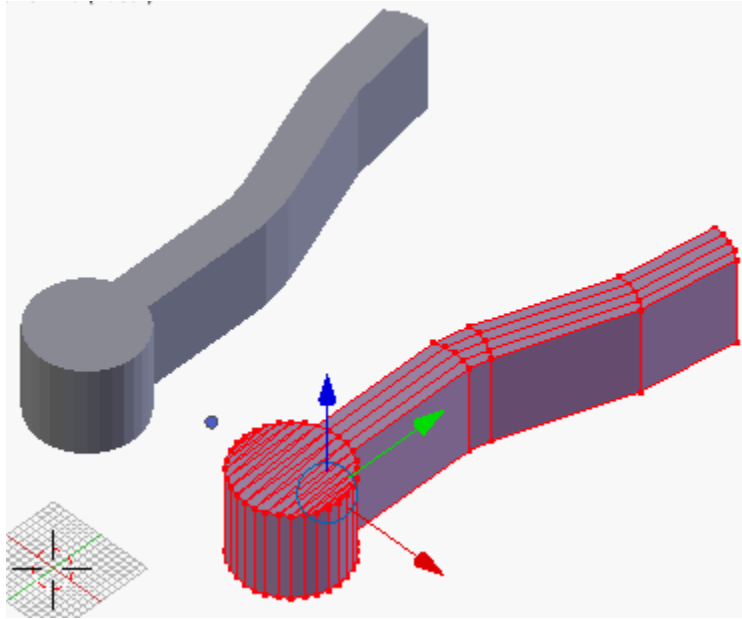


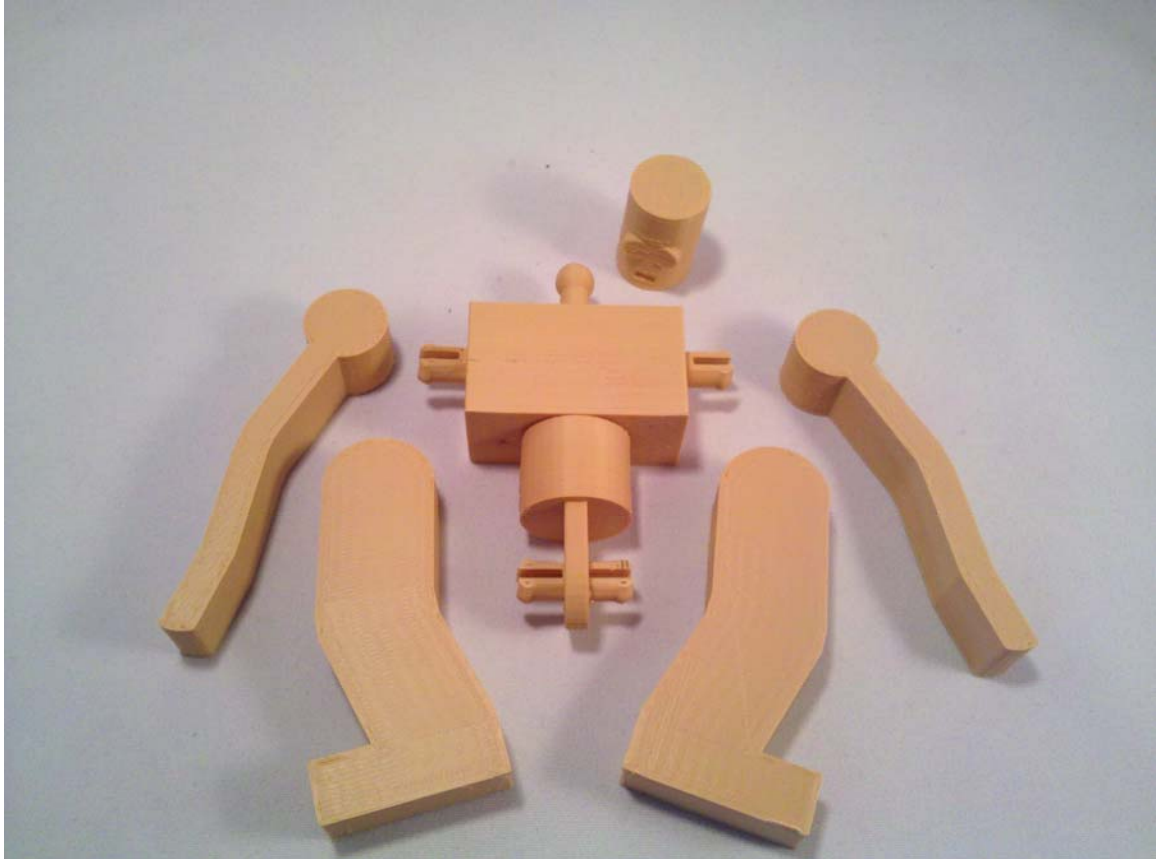






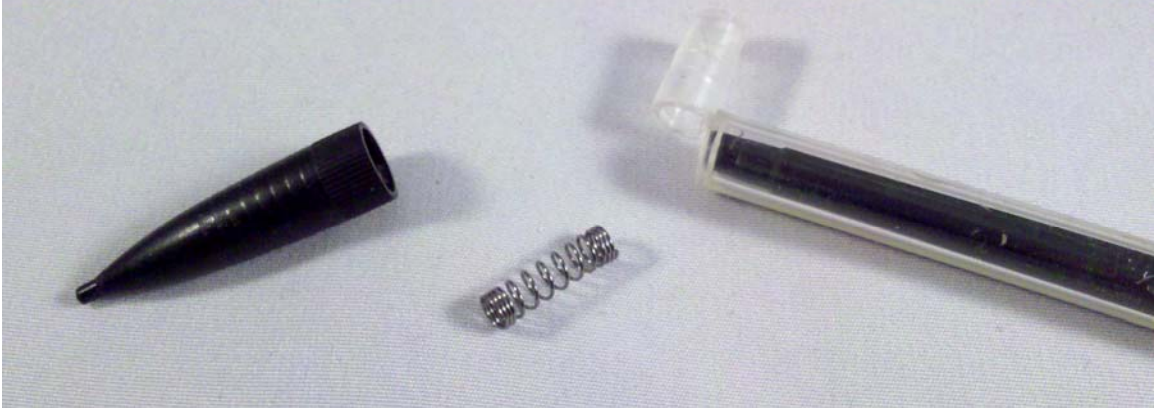
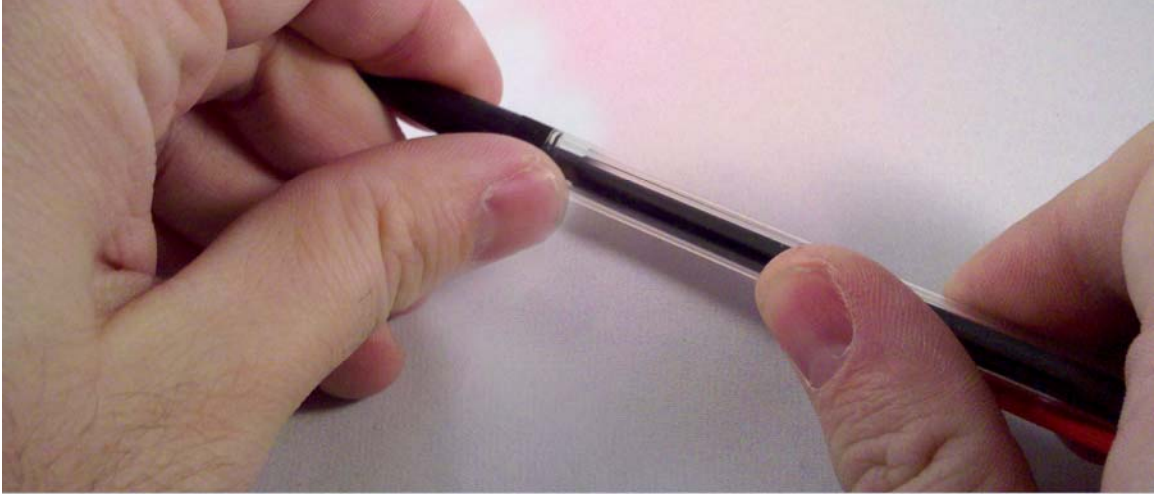
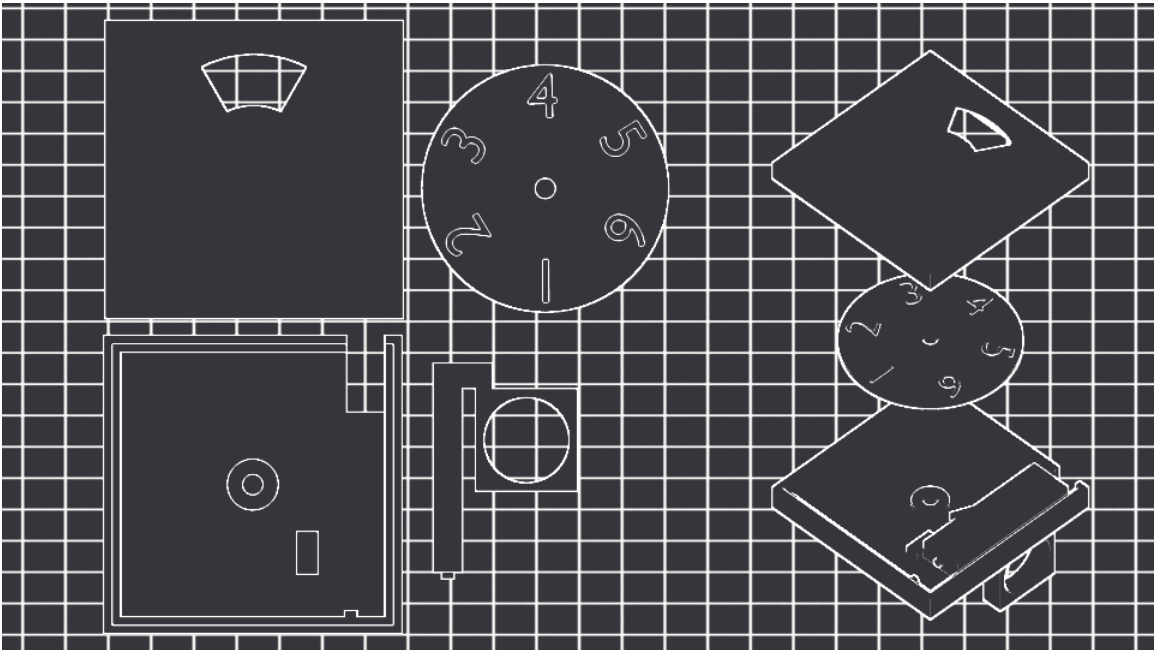








Chapter 6: D6 Spinner



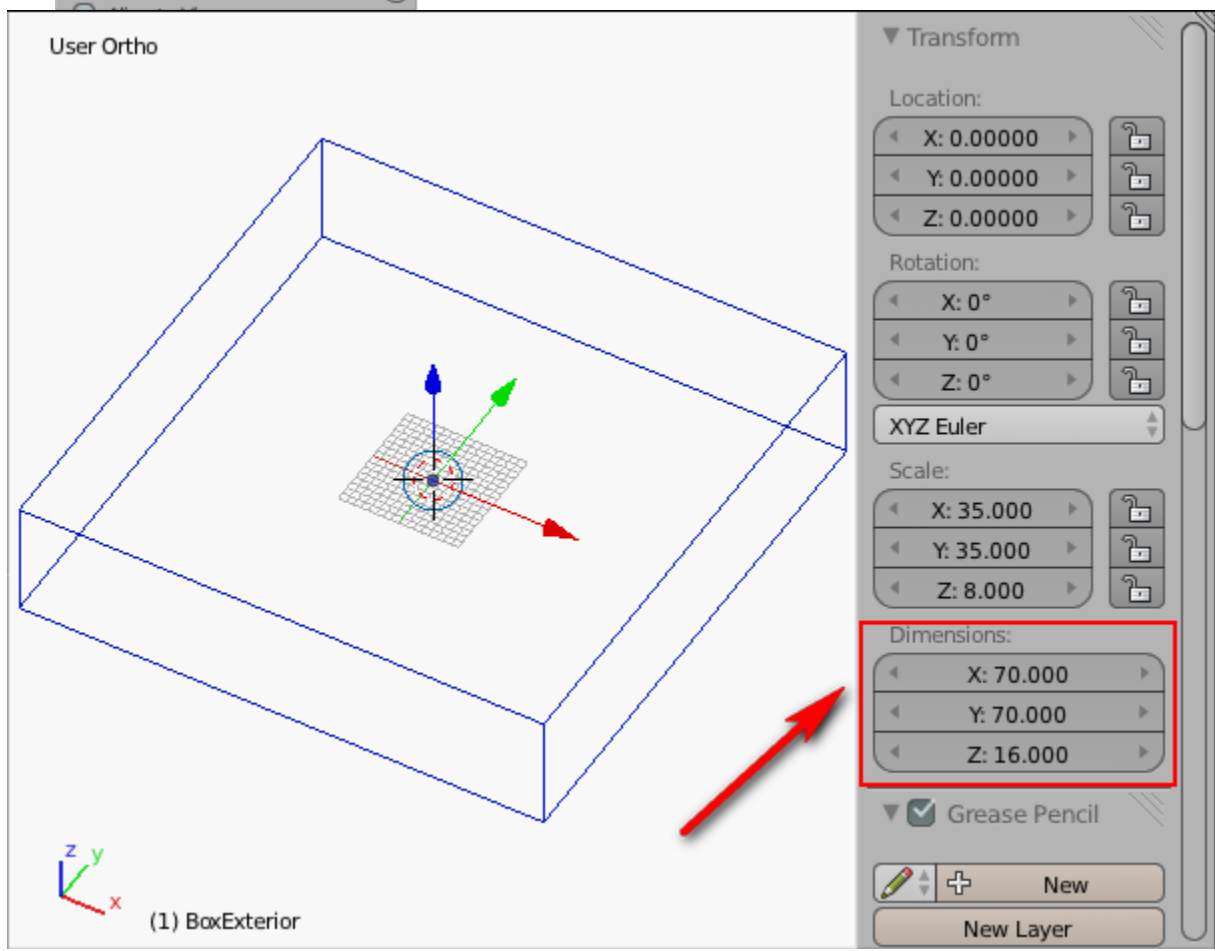
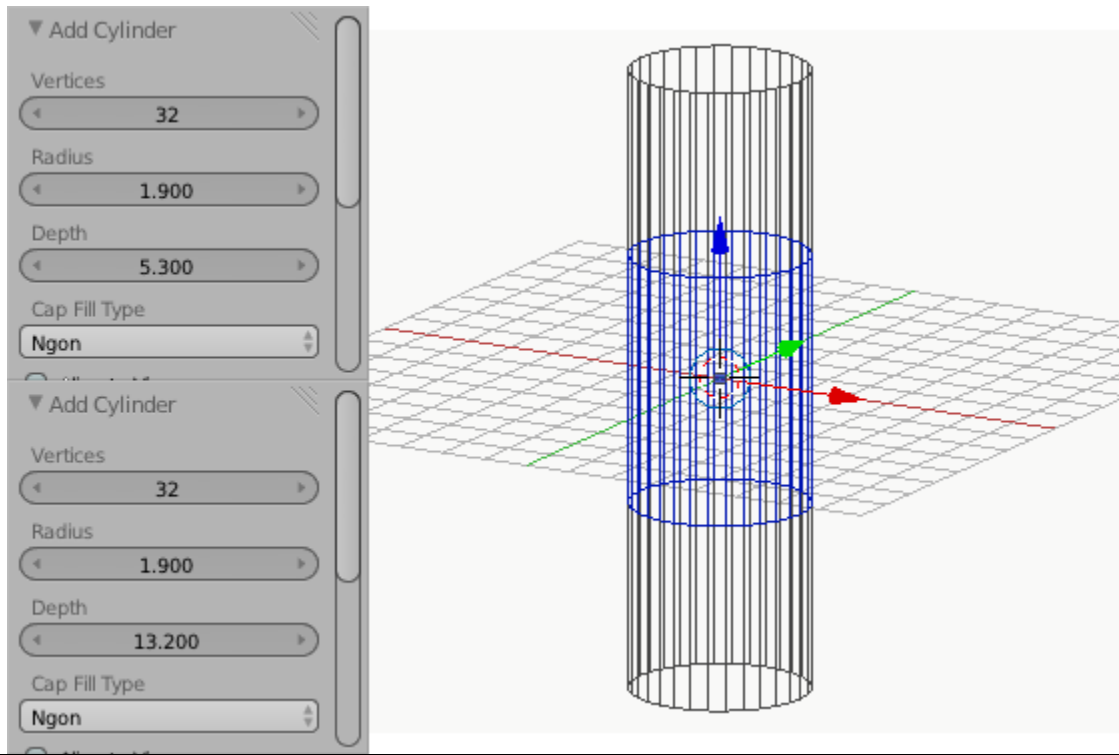


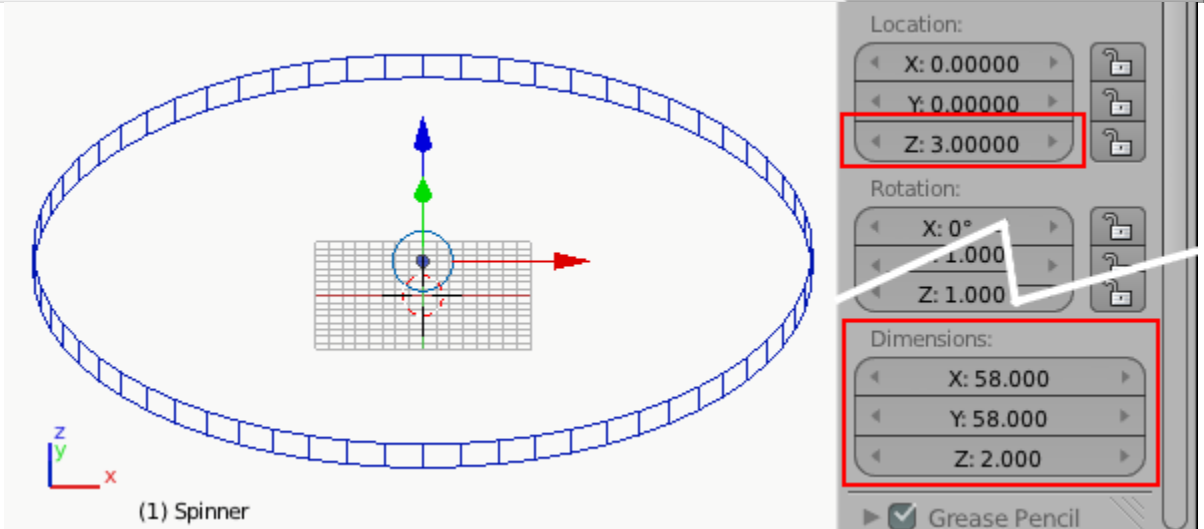
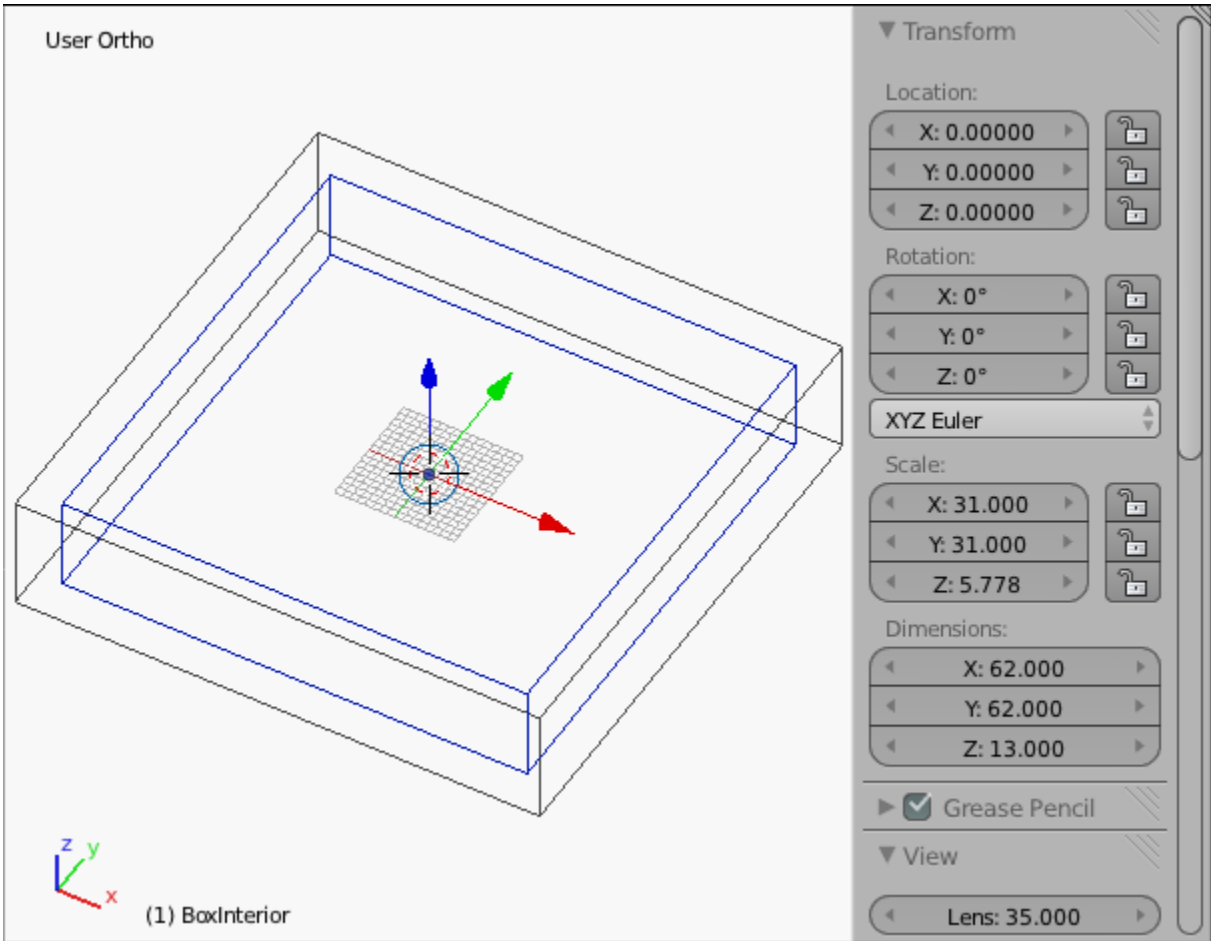
C:\Users\Owner\Documents\MakerbotBlueprints\Ch 6 Dice Spinner\ DiceSpinner.blend

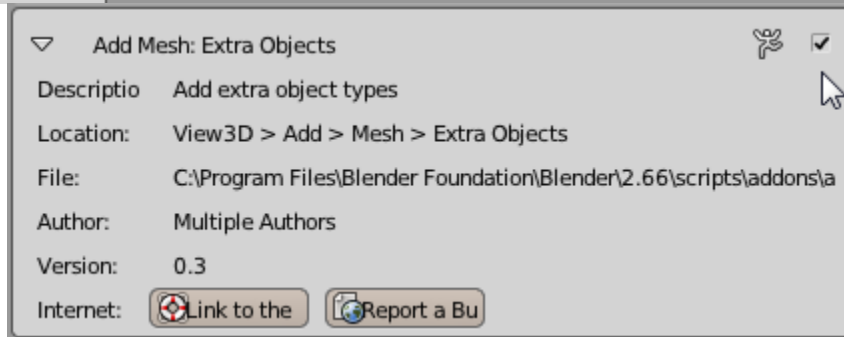
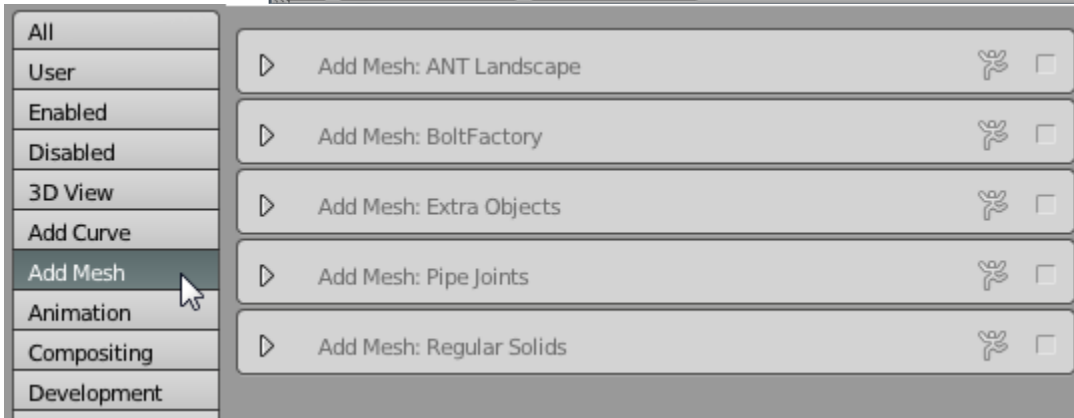
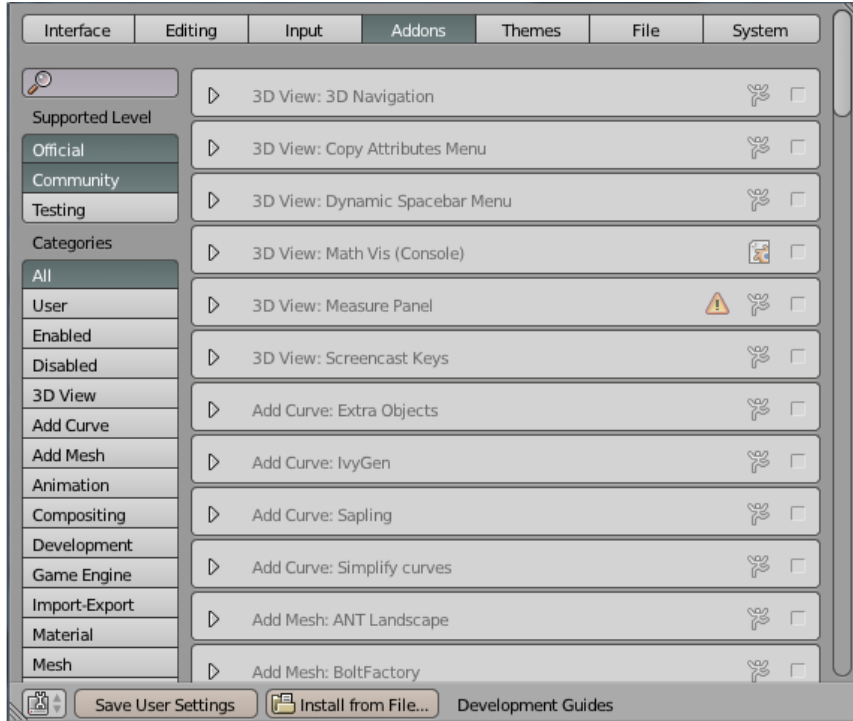
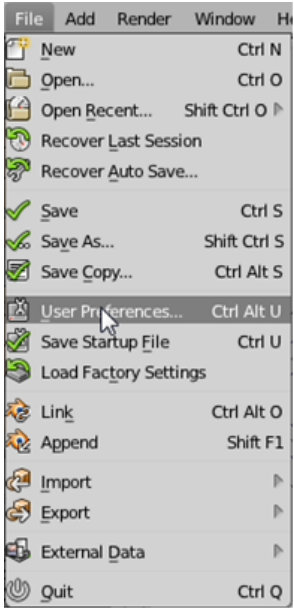
Save As Blender File

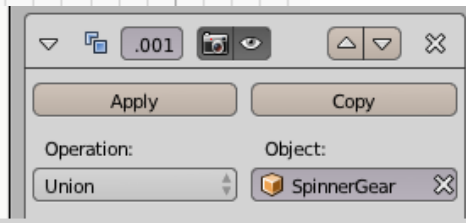
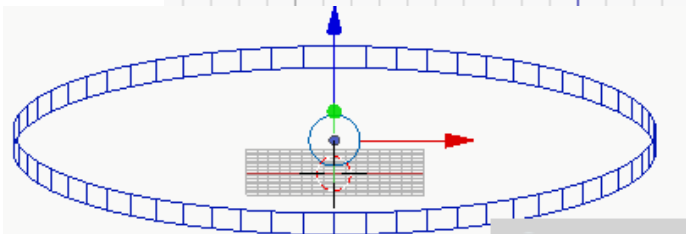
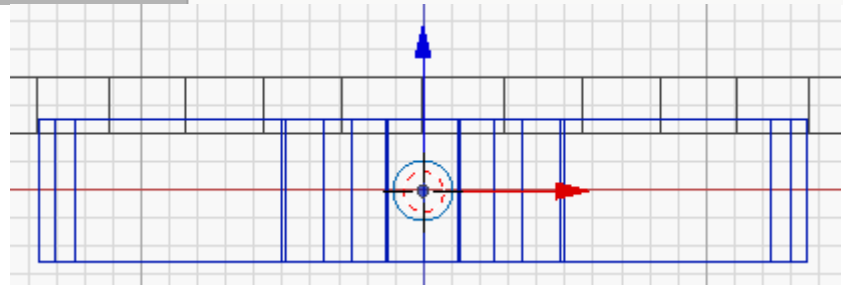
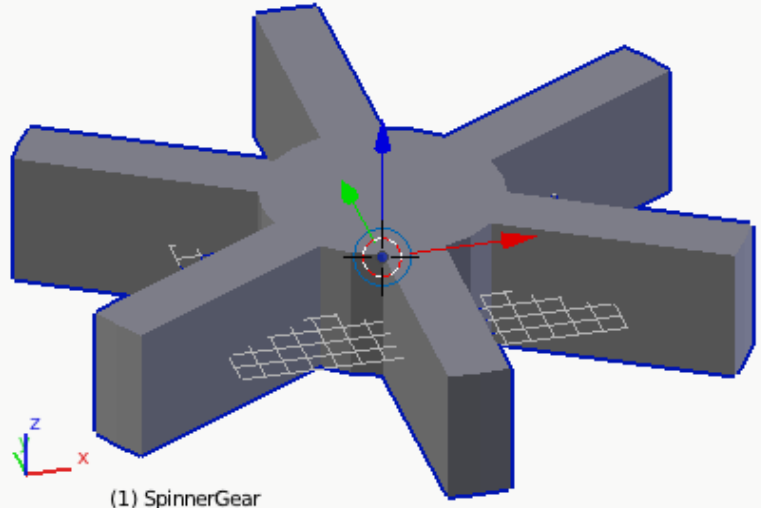
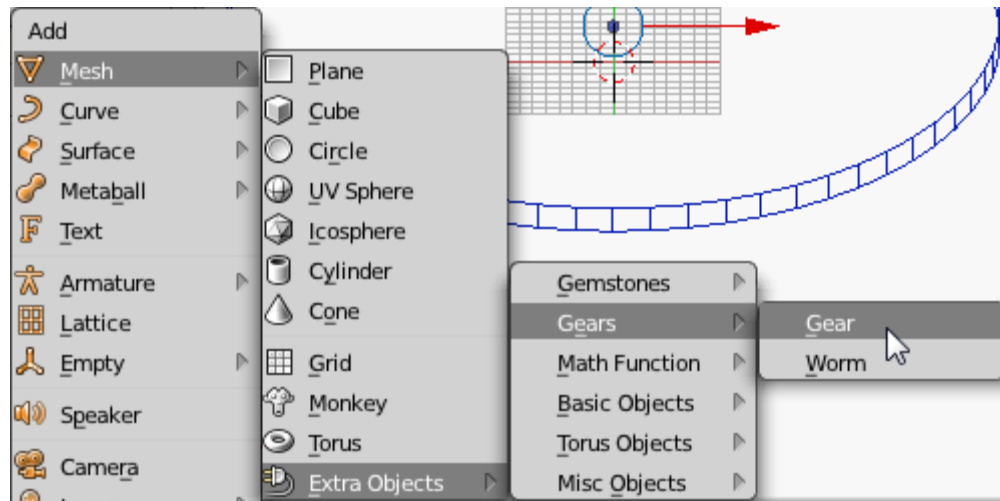
Cancel

- +

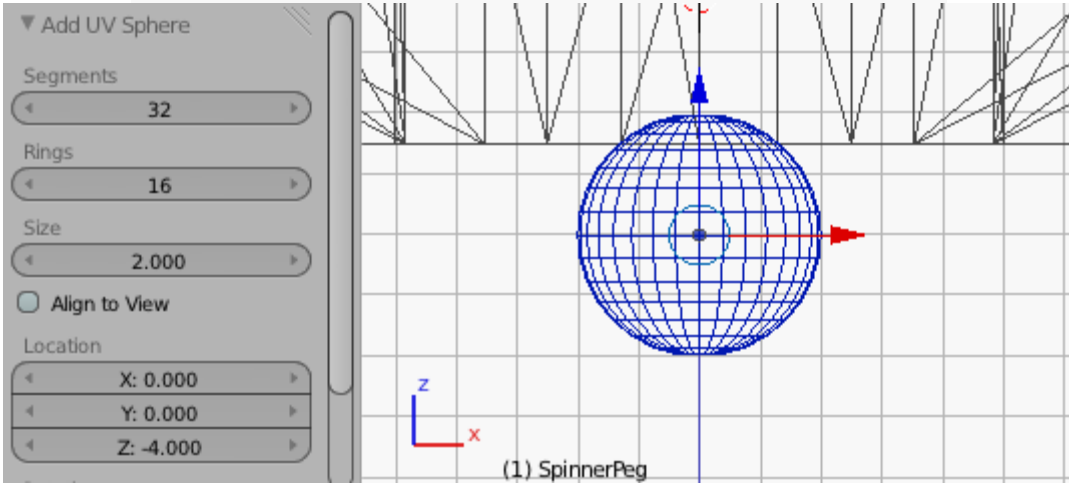
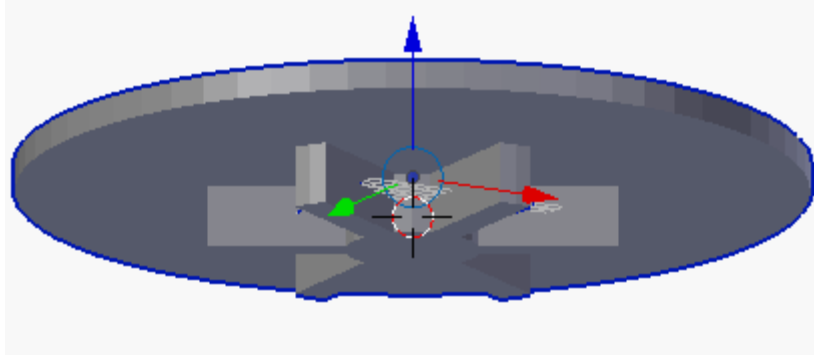
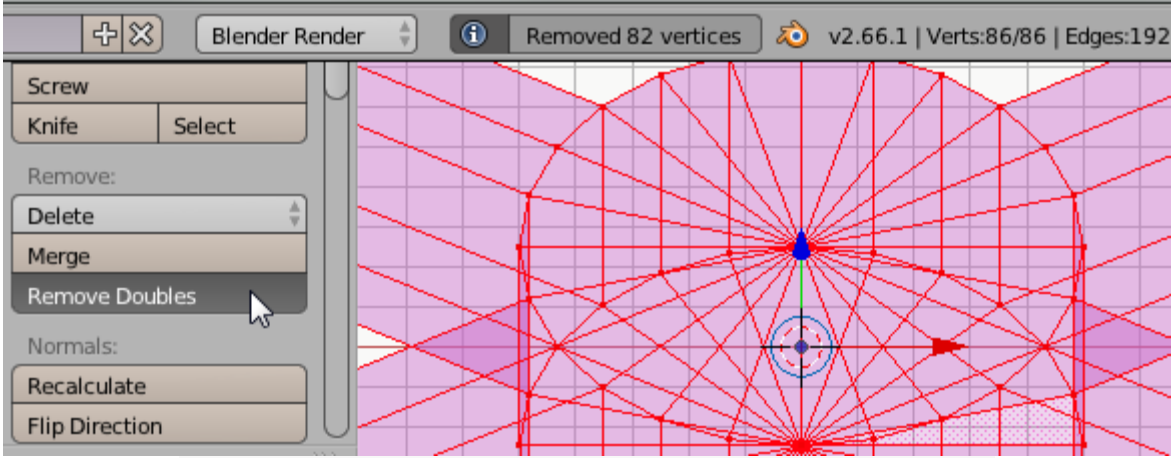


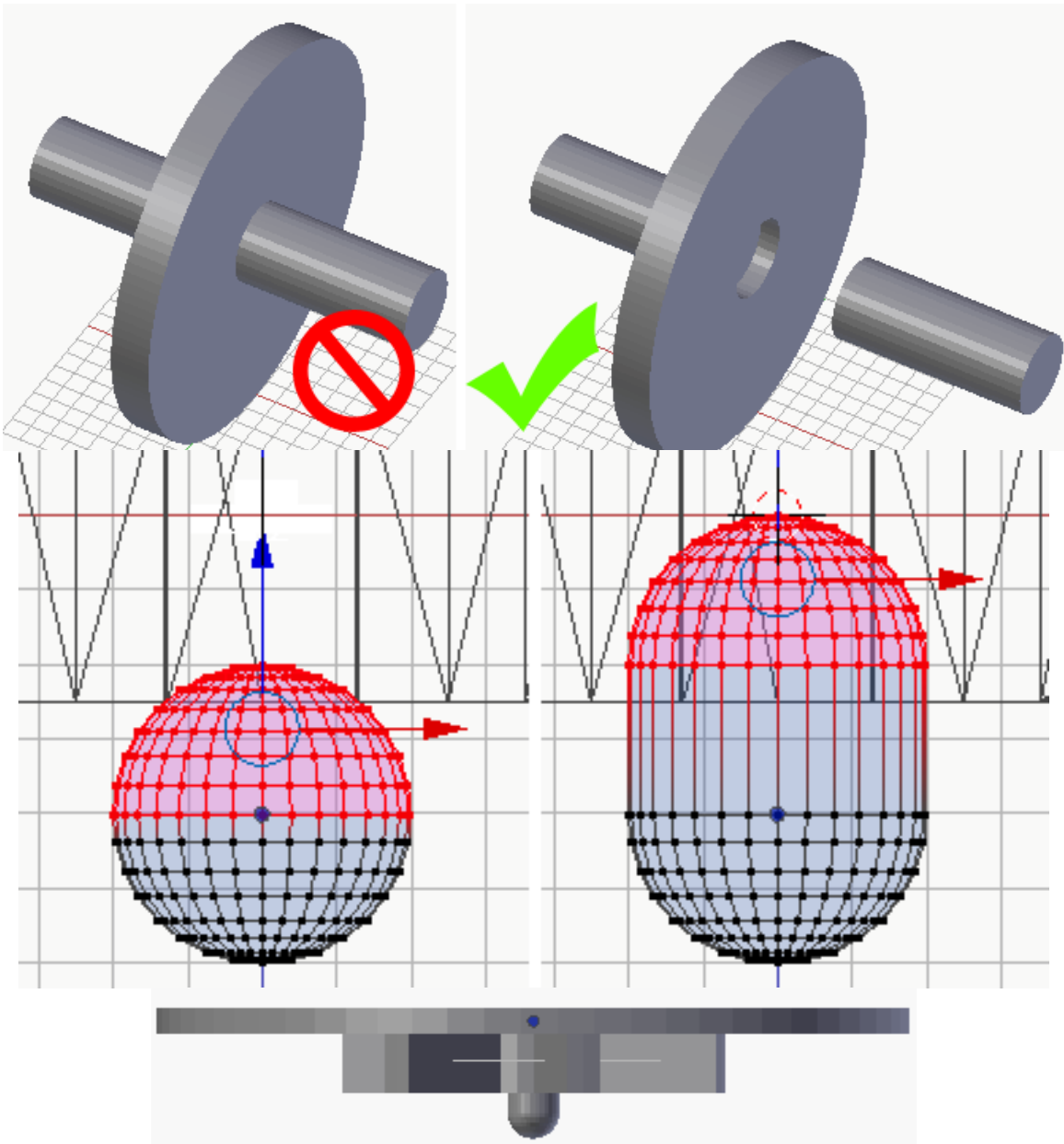


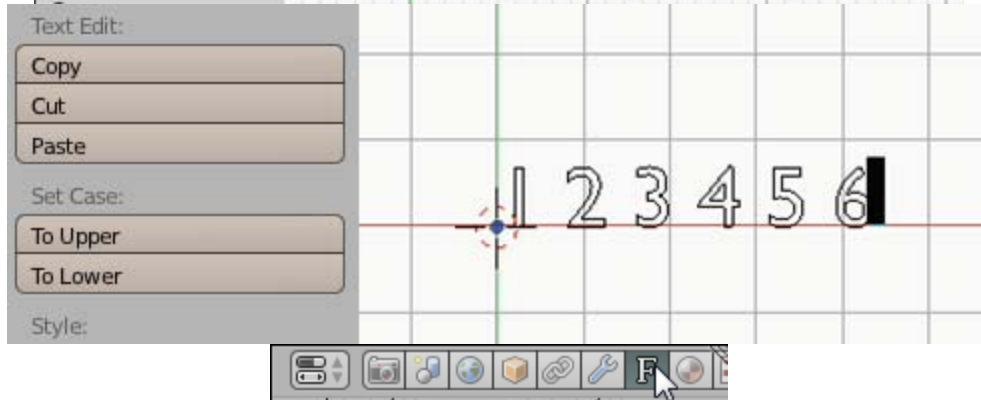
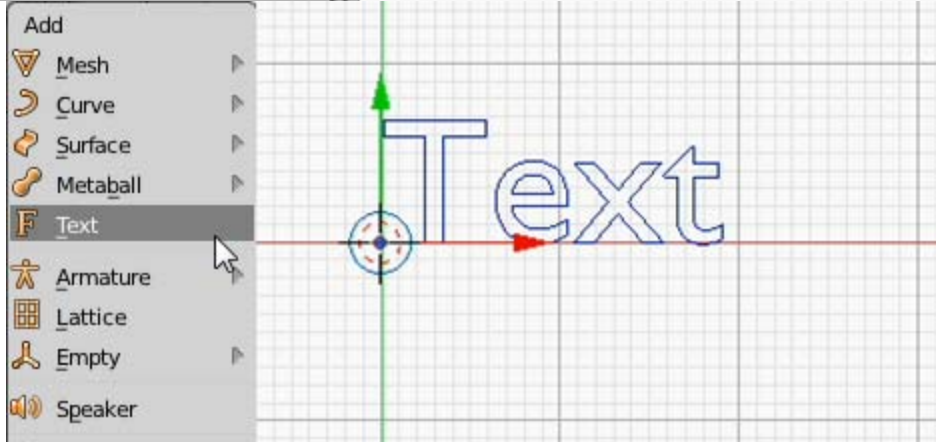
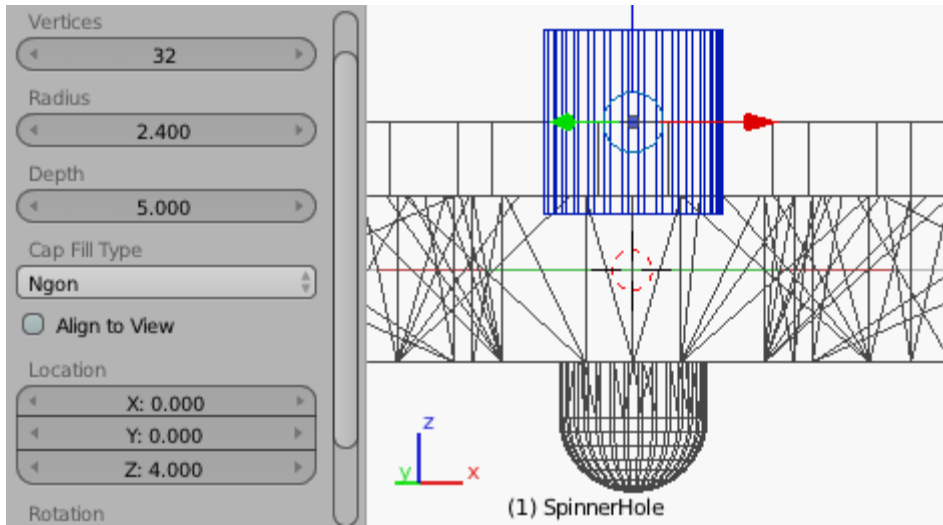


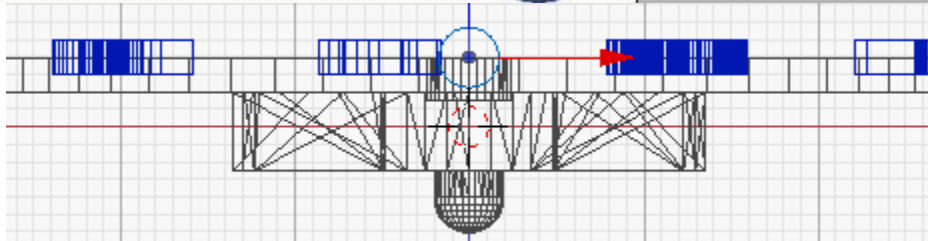
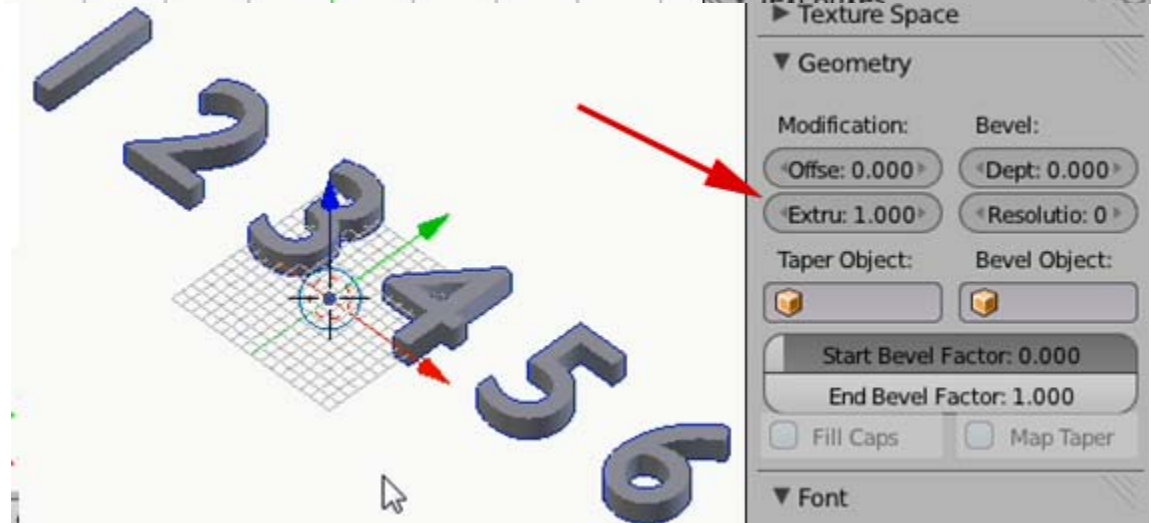
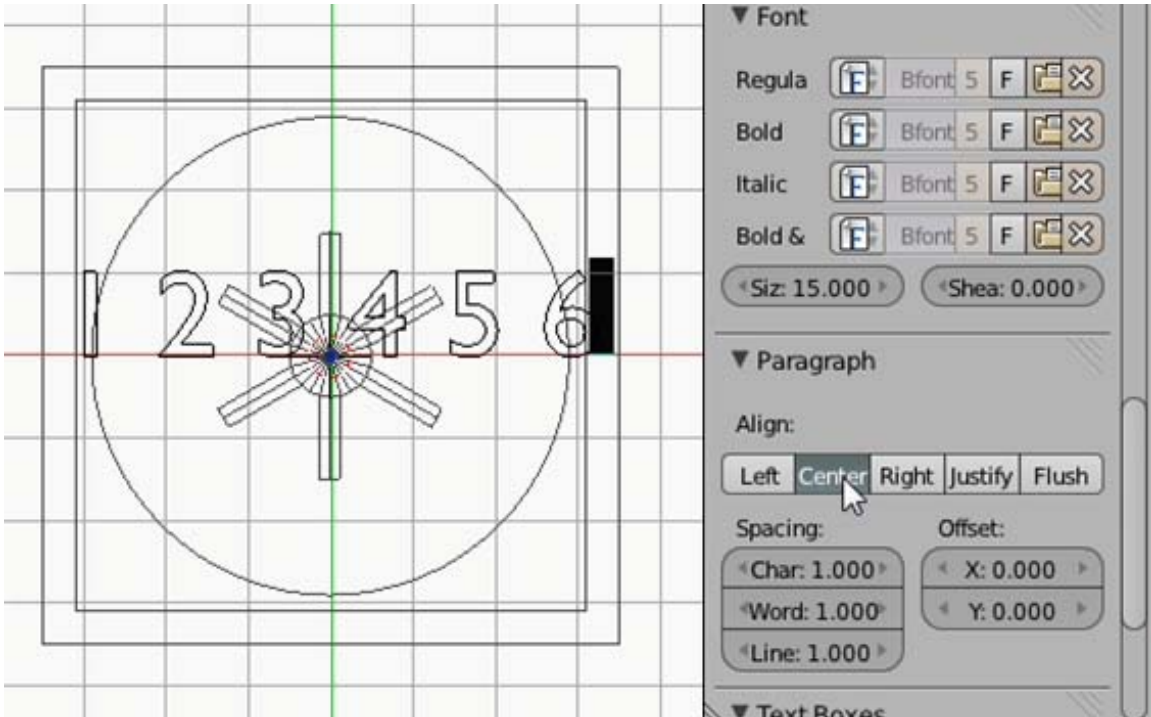


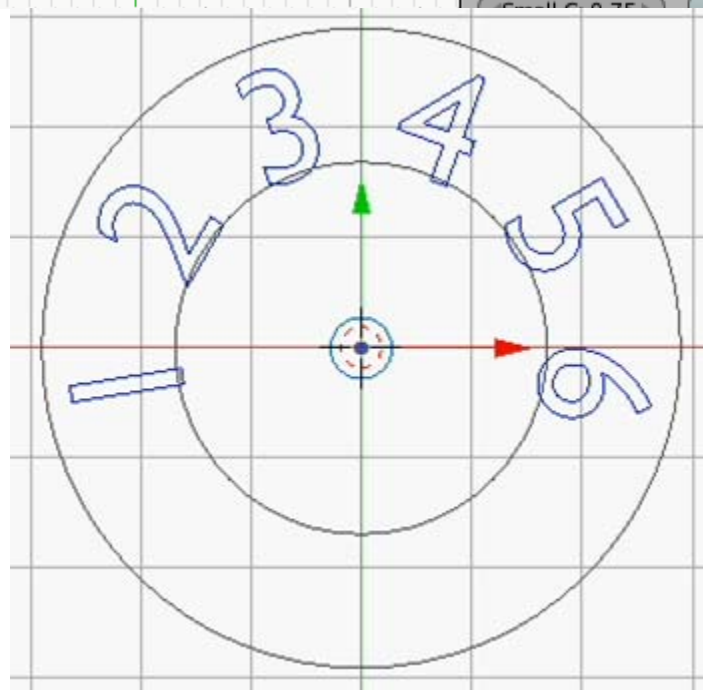
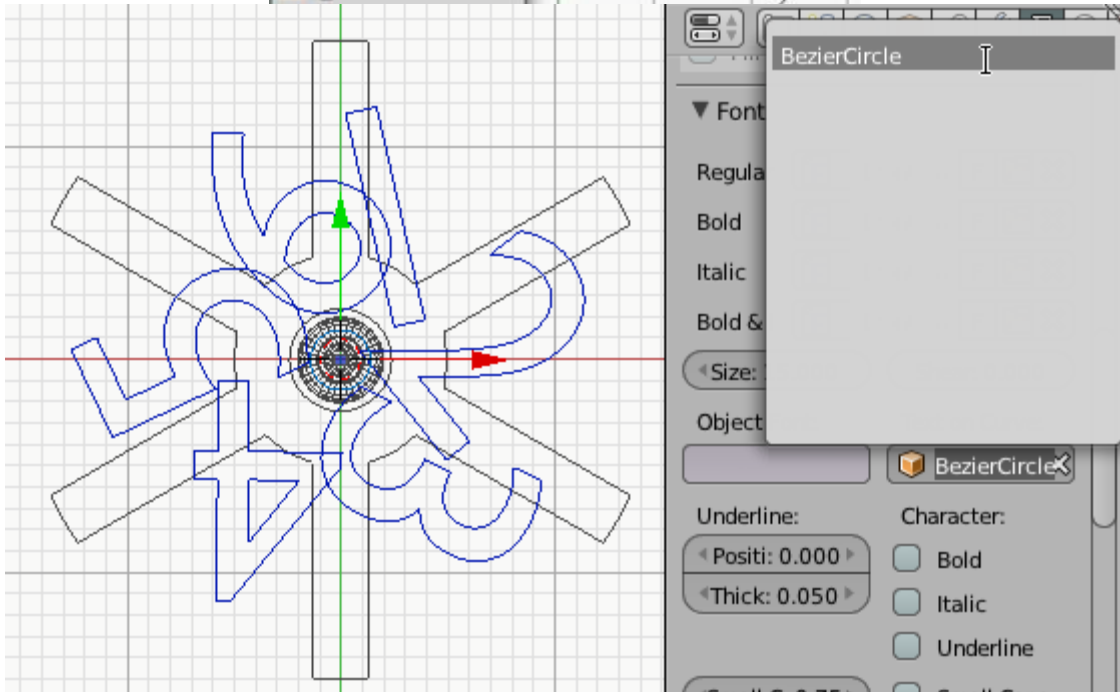
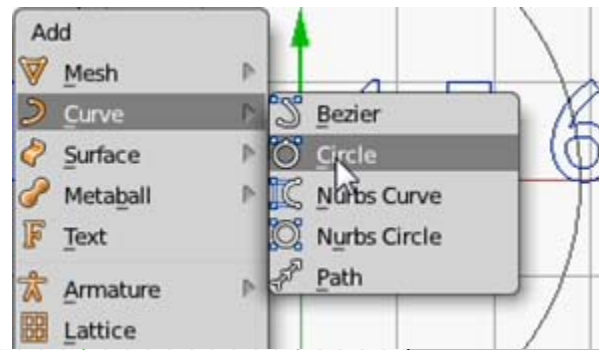
! Cannot execute boolean operation

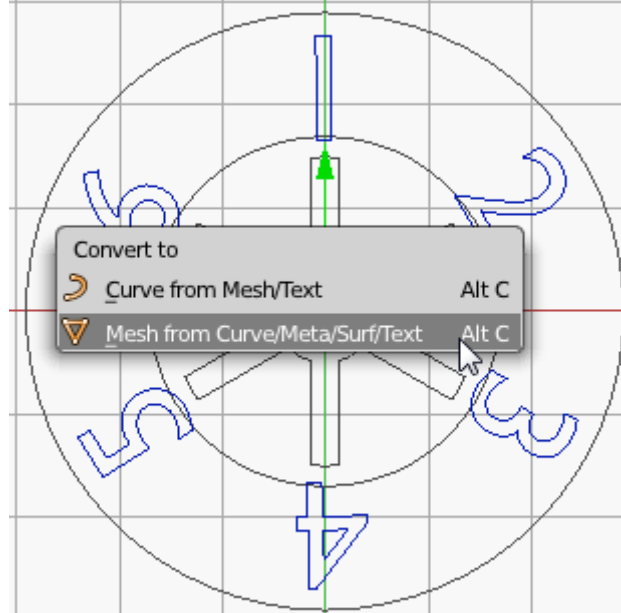
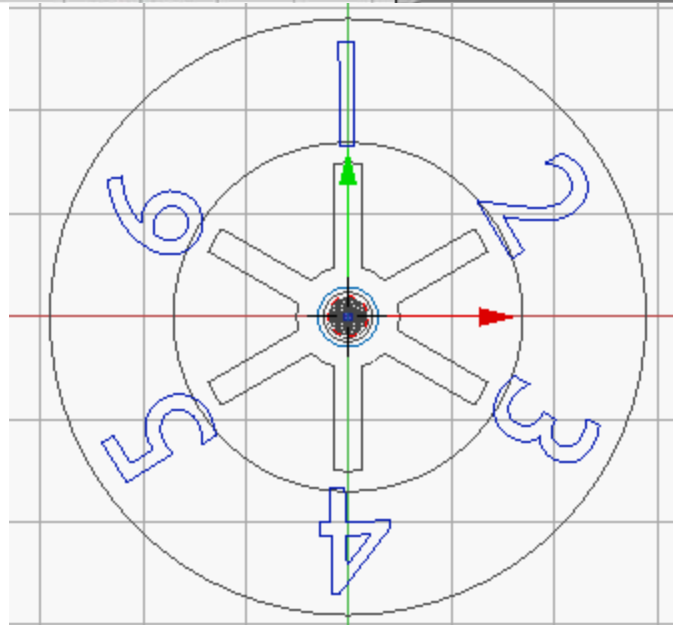
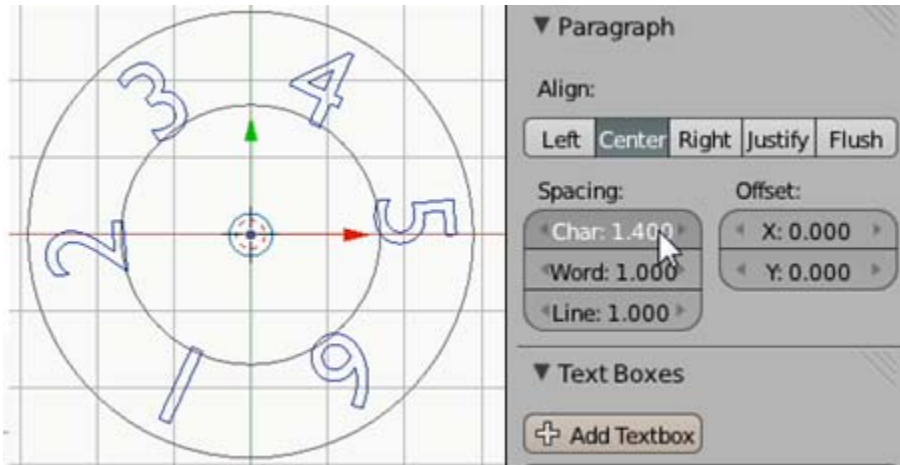


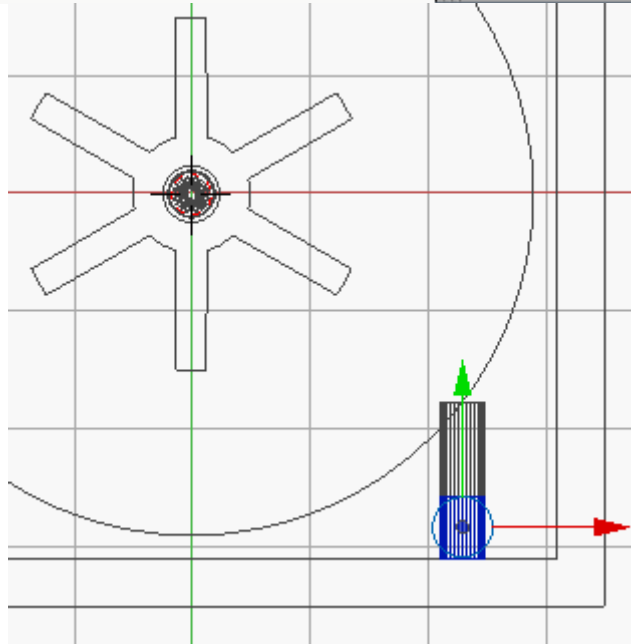
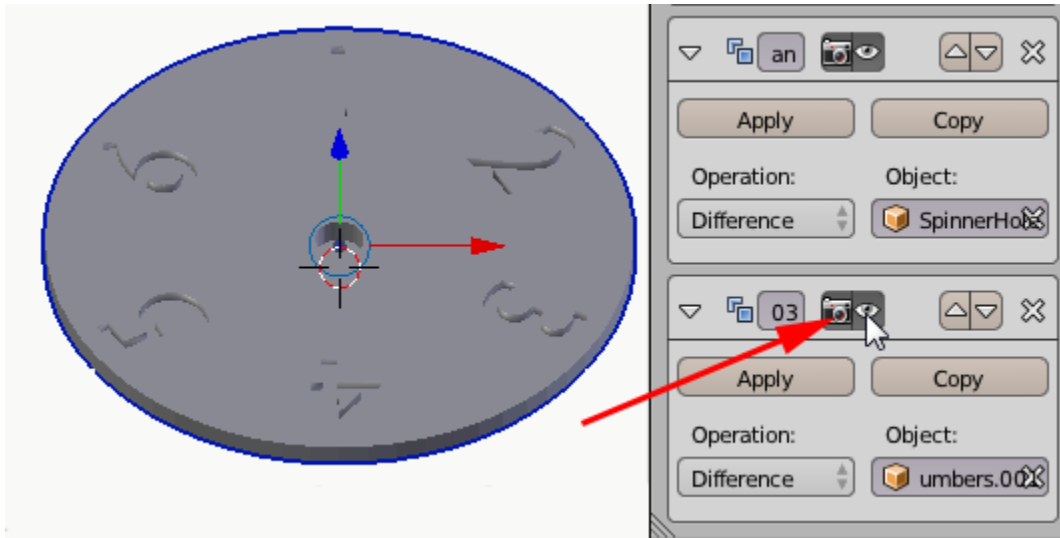


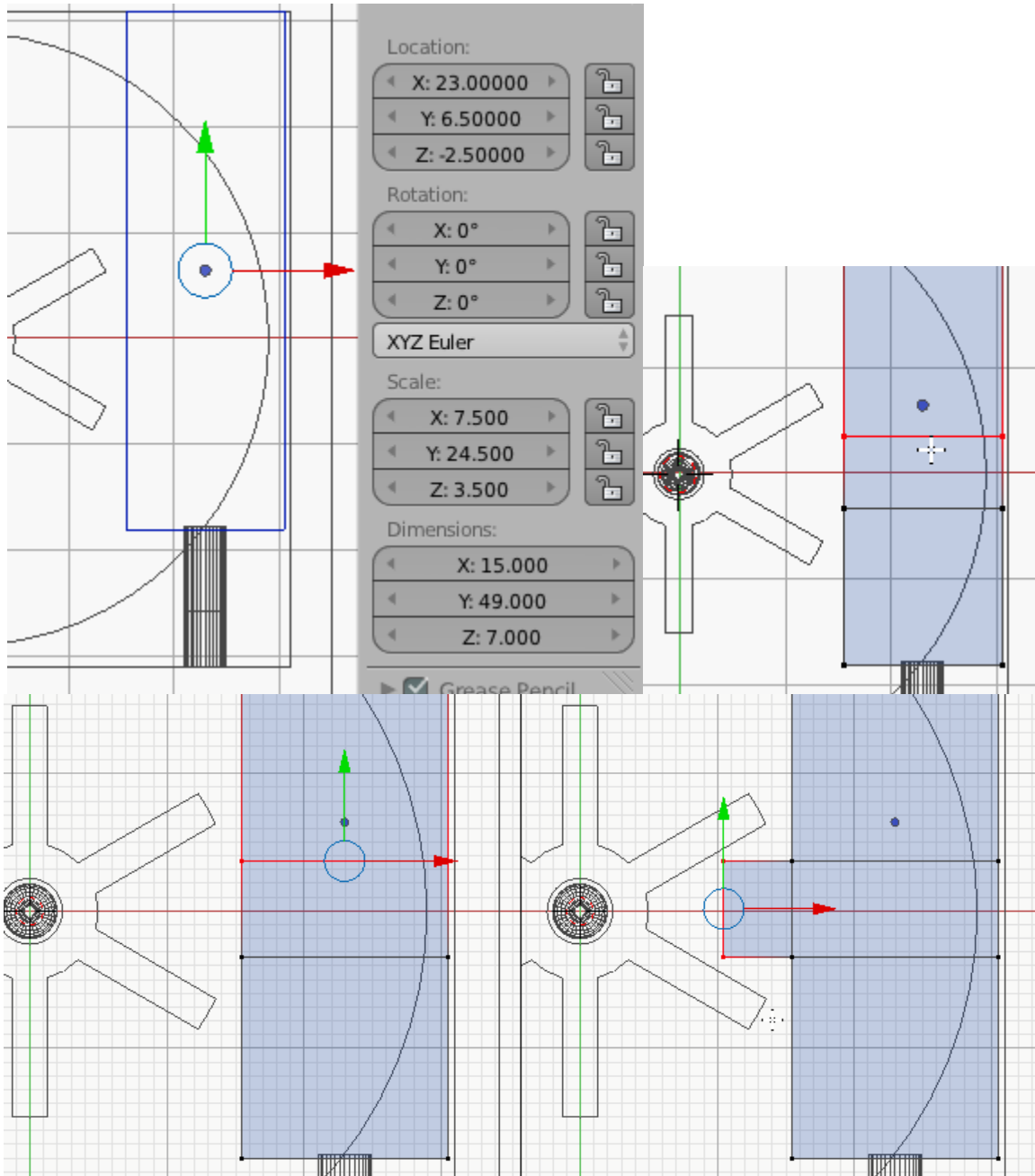


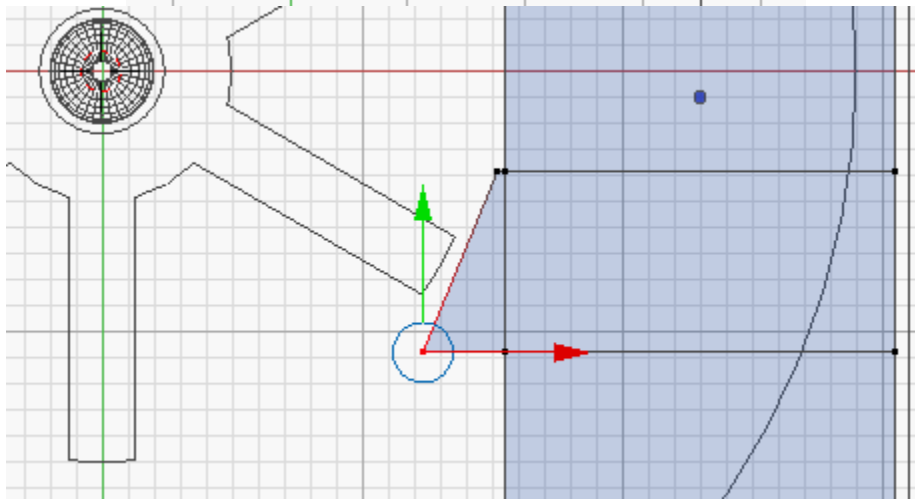
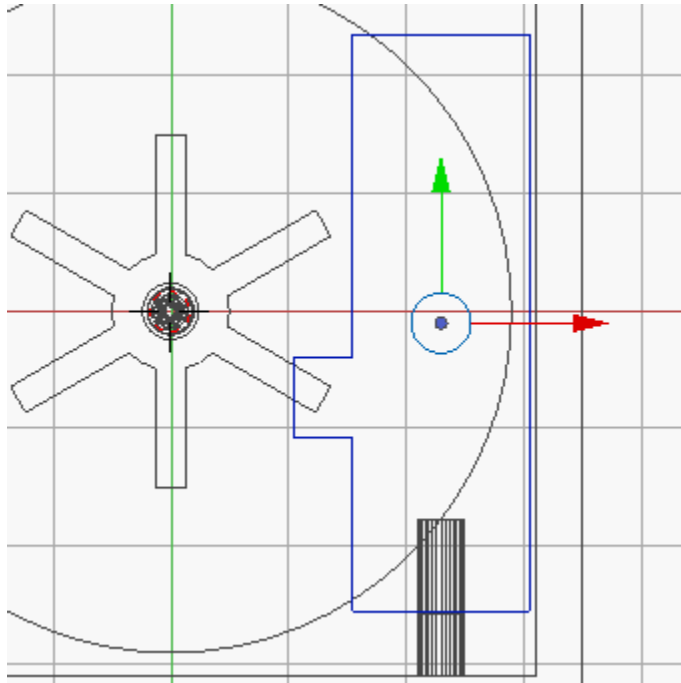


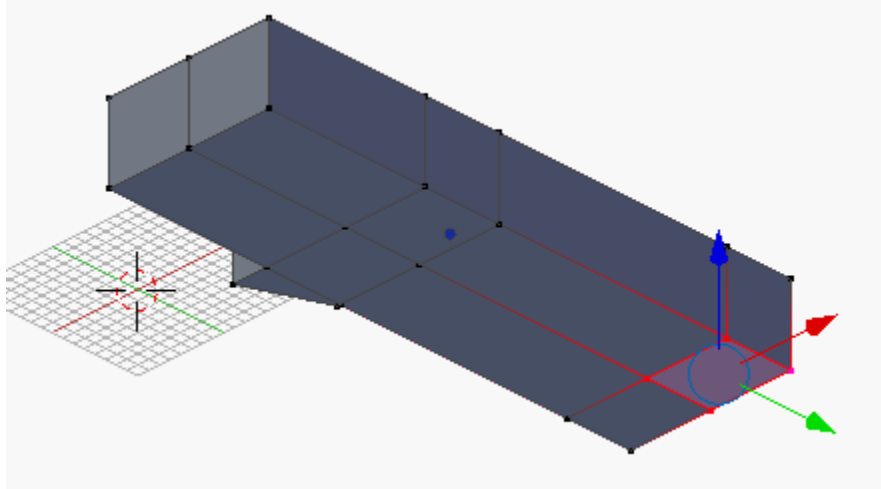
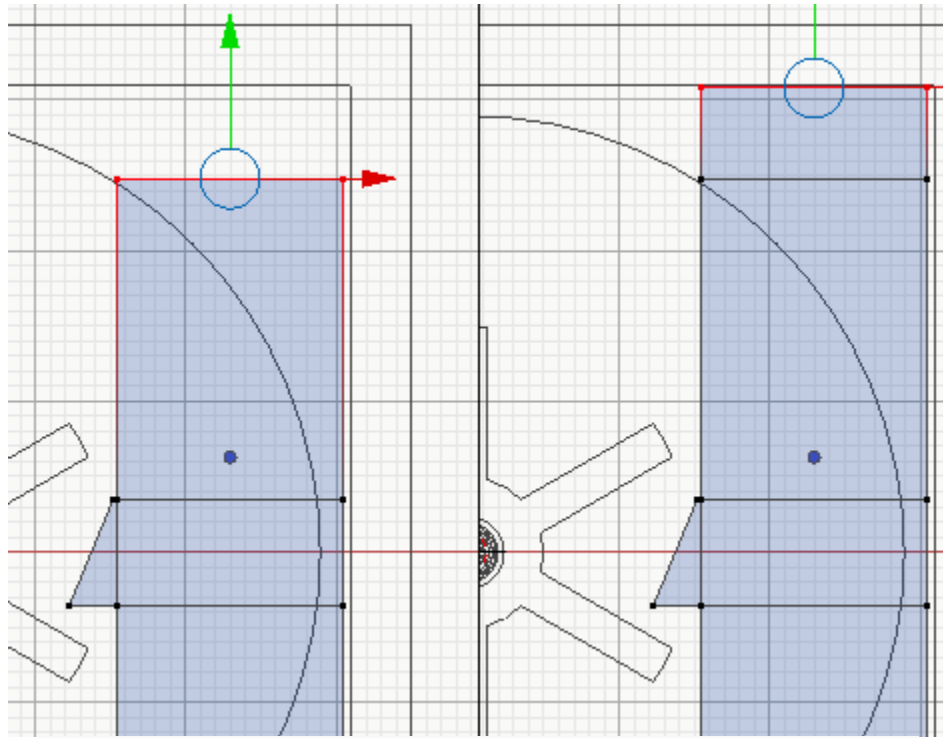


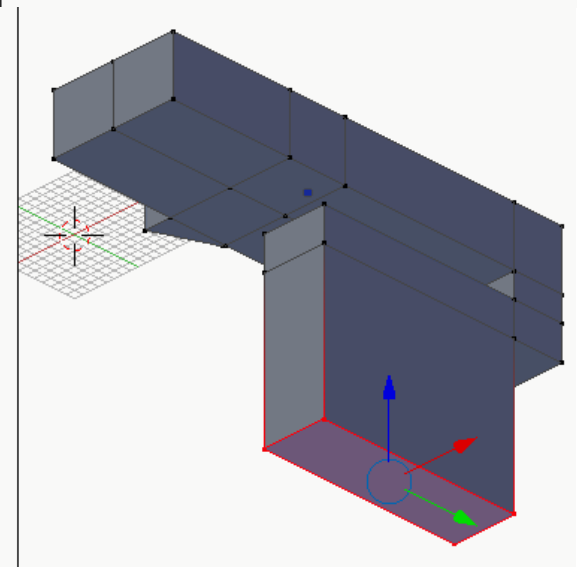
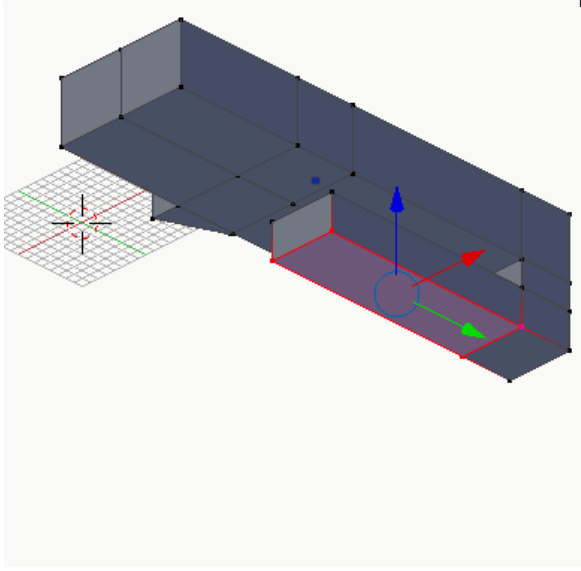
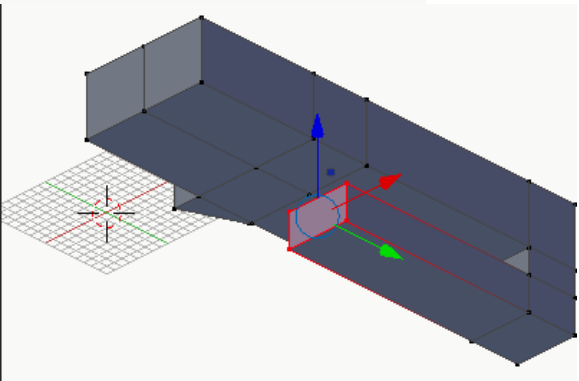
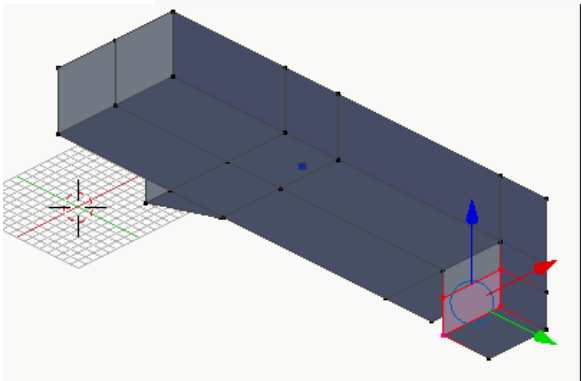
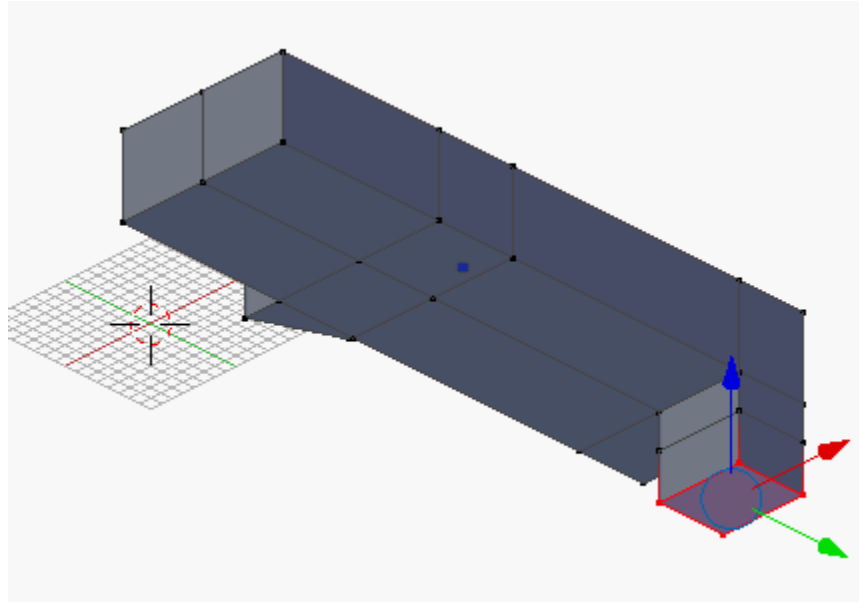


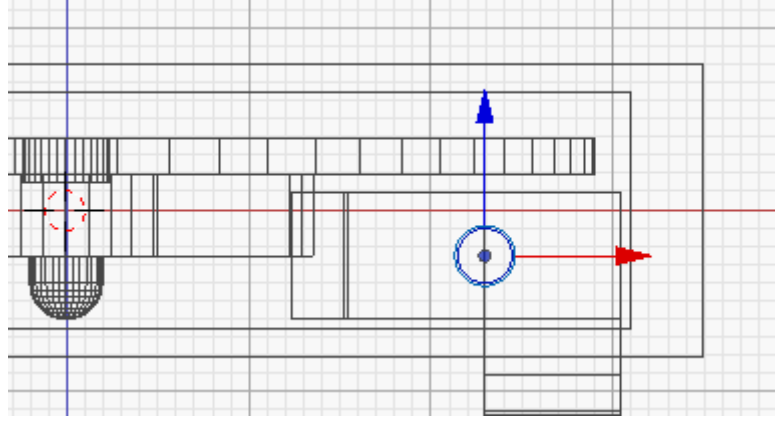
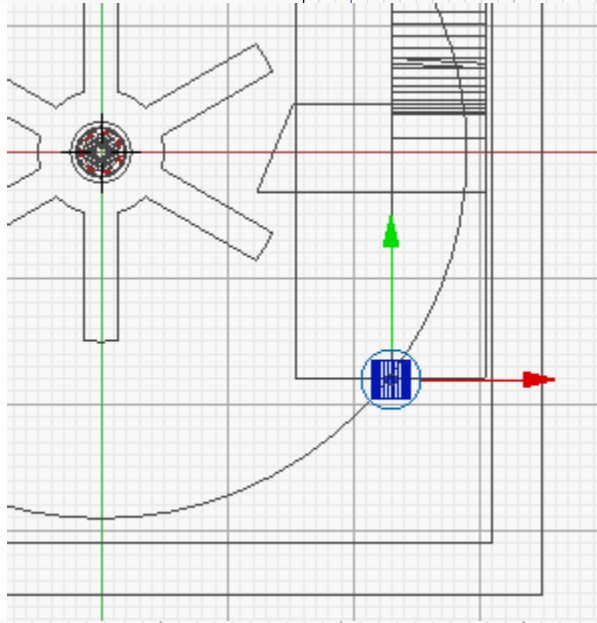
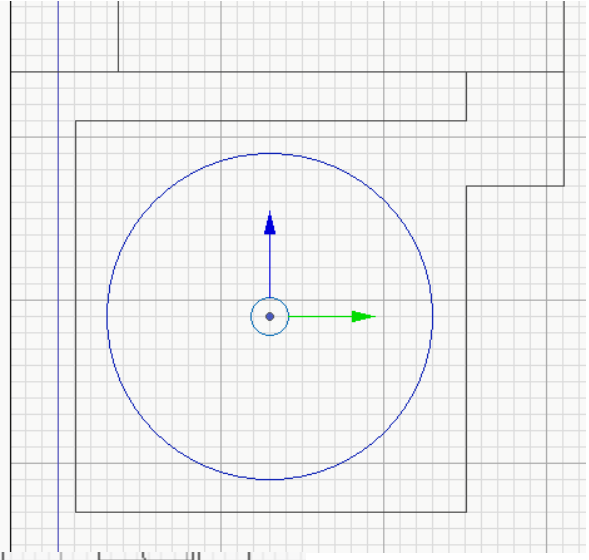
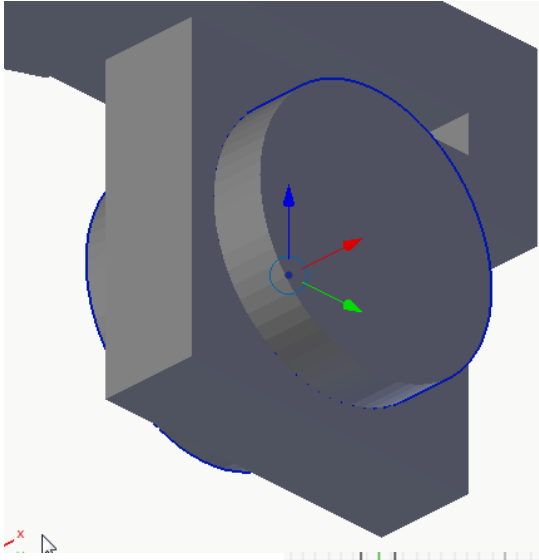


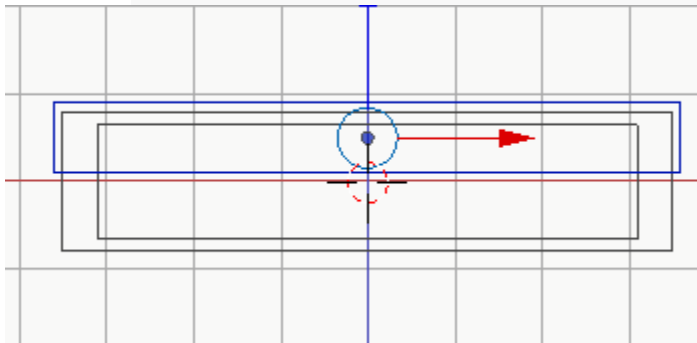
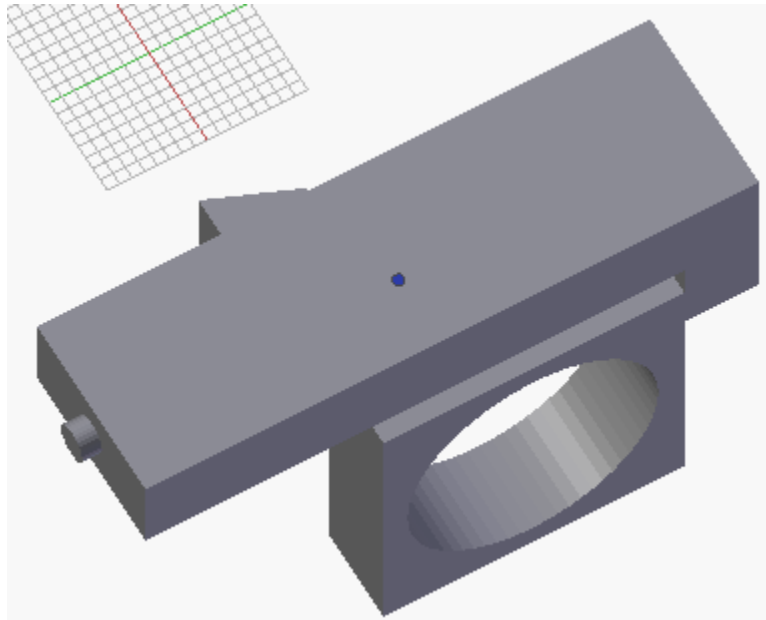












Location:

X: 0.00000

Y: 0.00000

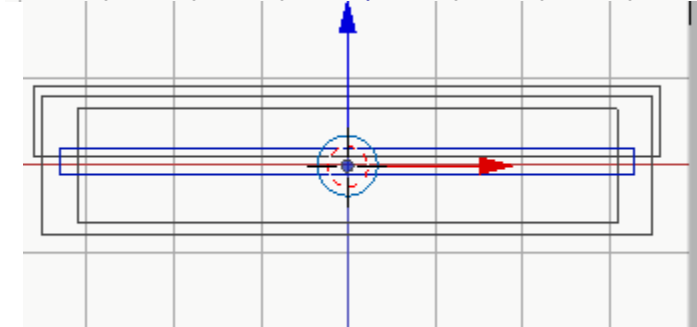
Z: 5.00000

Dimensions:

X: 72.000

Y: 72.000

Z: 8.000



Location:

X: 0.00000

Y: 0.00000

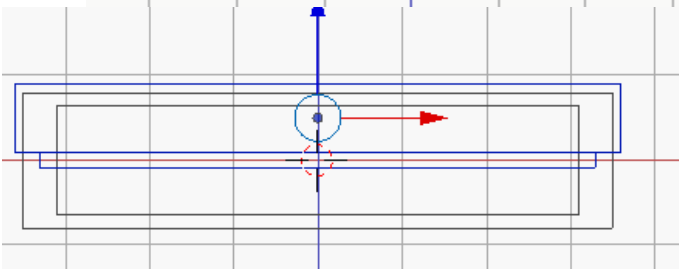
Z: 0.00000

Dimensions:

X: 66.000

Y: 66.000

Z: 3.000



Add Modifier

Boolean

Apply

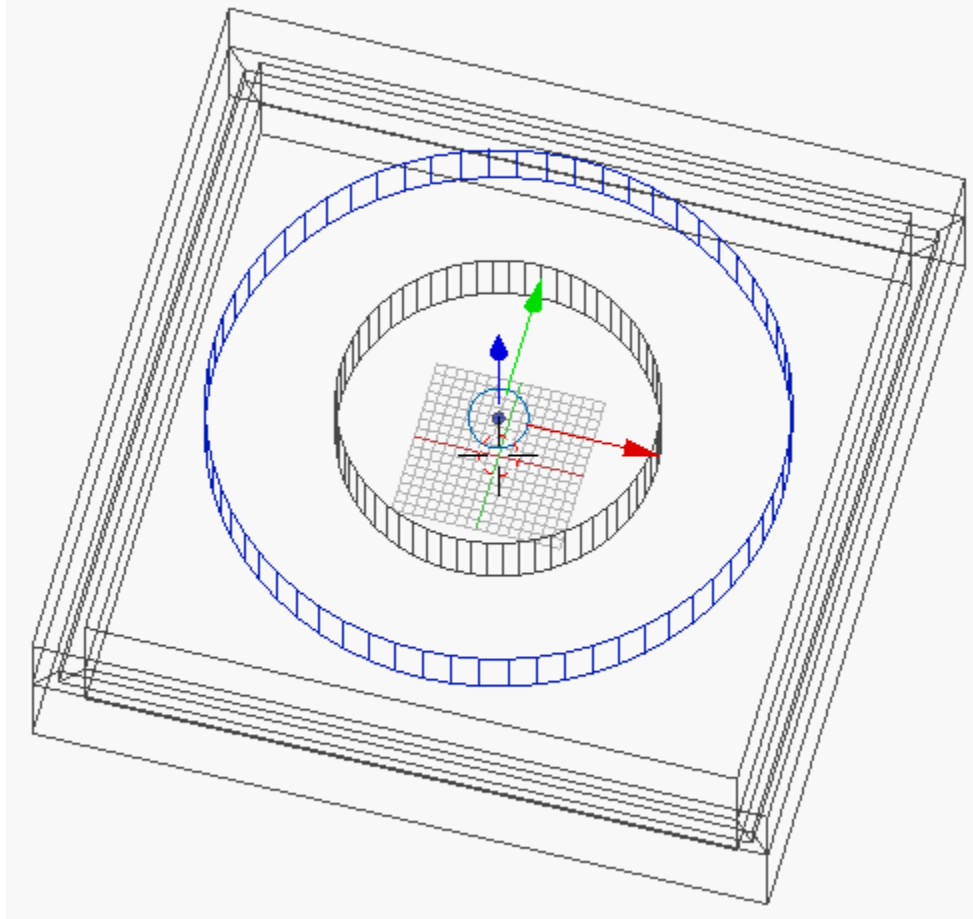
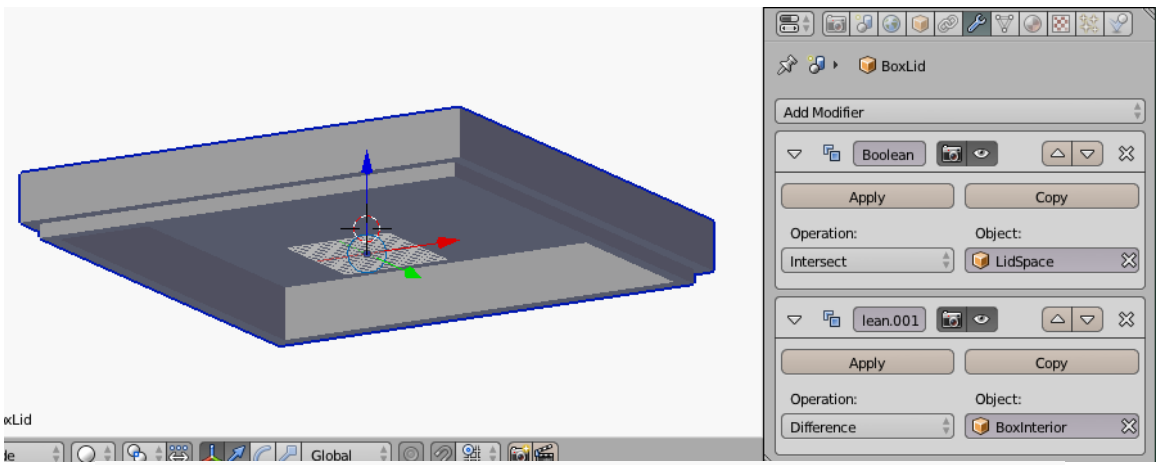
Copy

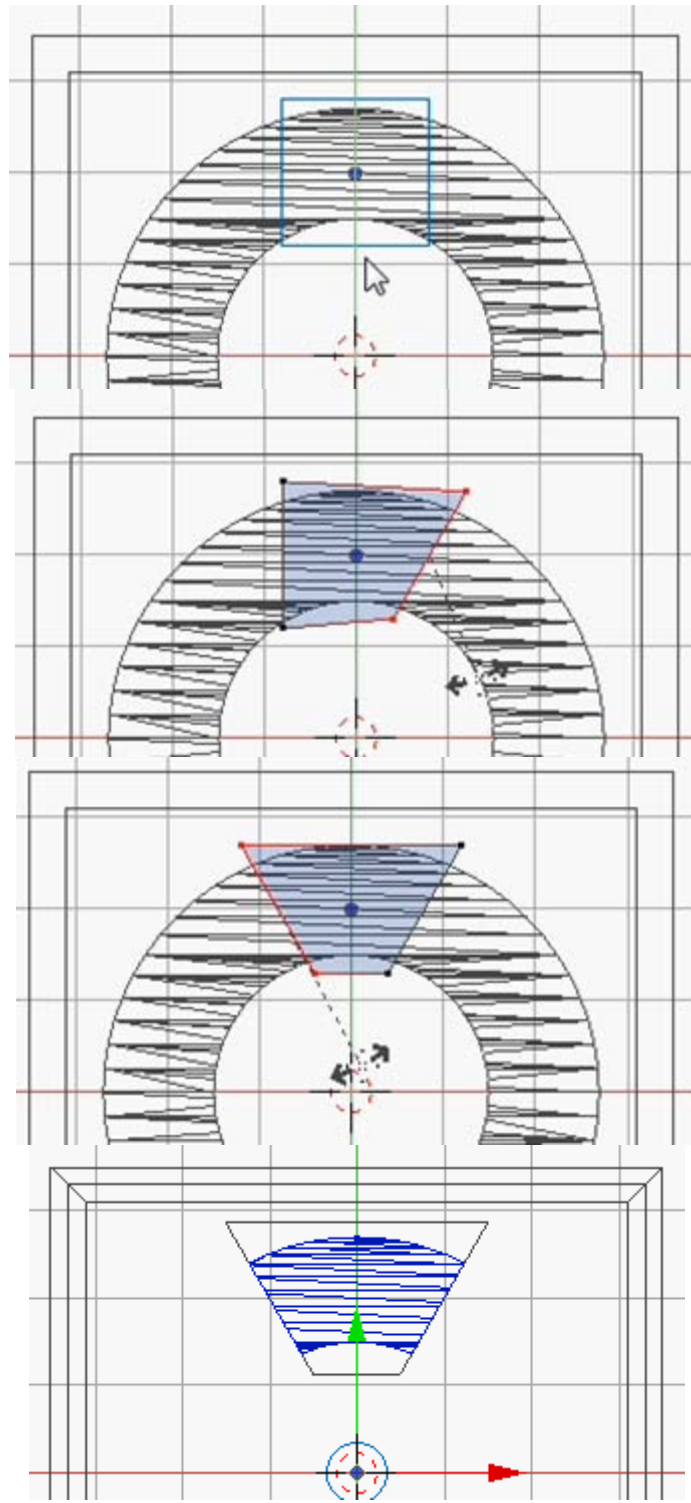
Operation:

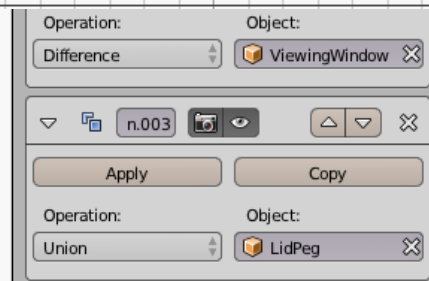
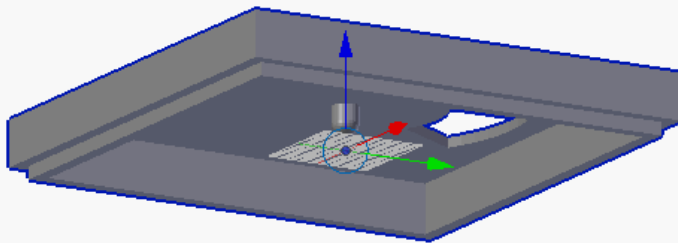
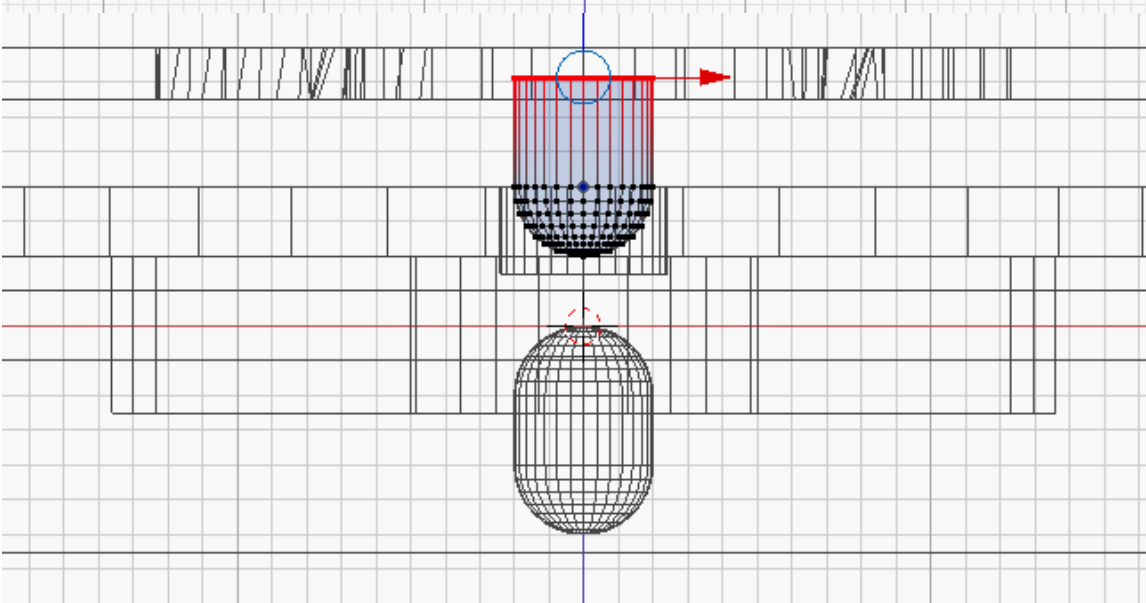
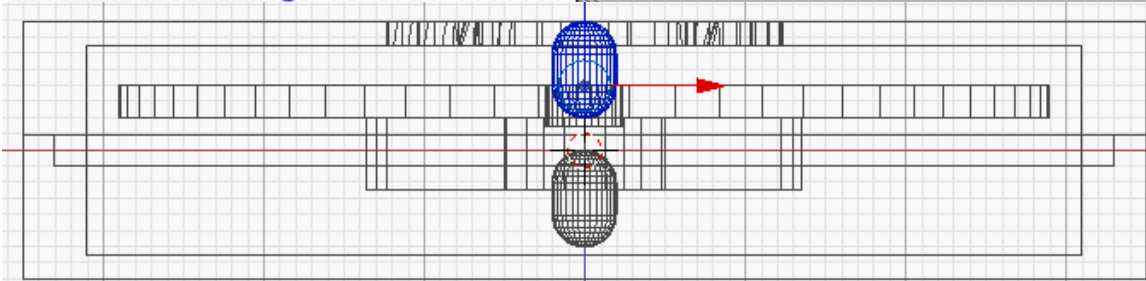
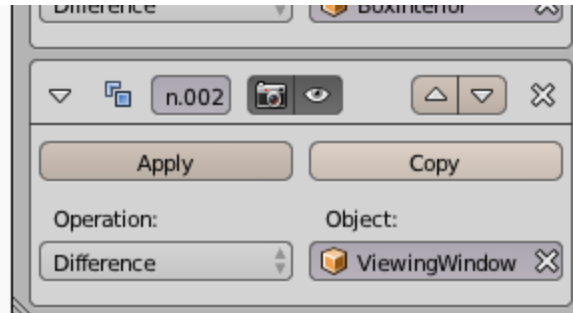
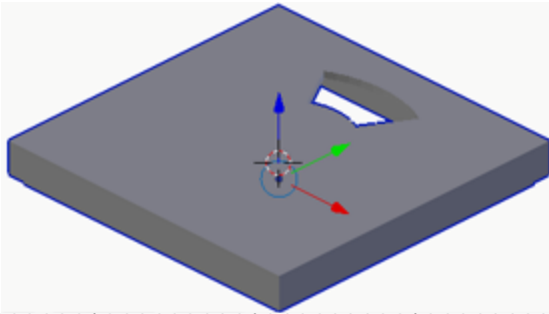
Union

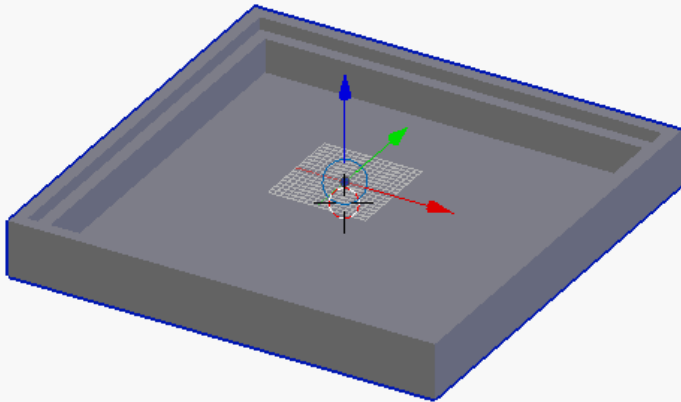
Object:

LidLip









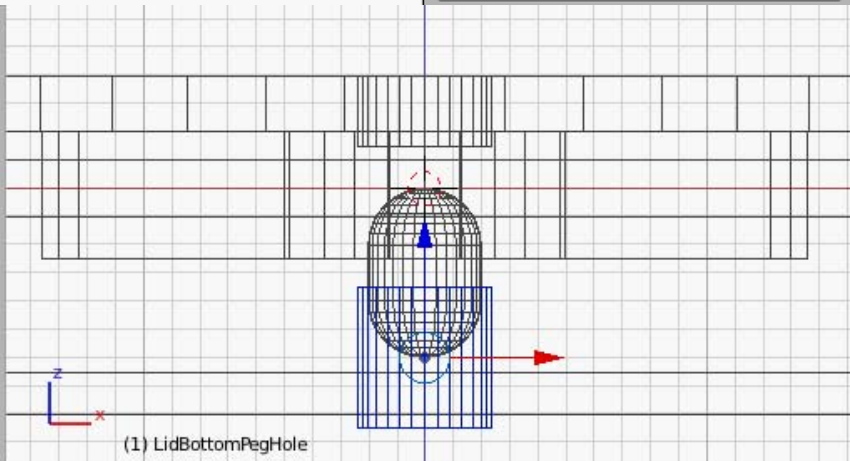
Blender 2.80.0 interface showing the 'BoxBottom' object selected. The 'Add Modifier' panel is open, showing two modifiers:

- Modifier 1: **Boolean** (Difference) applied to **BoxInterior**.
- Modifier 2: **Boolean** (Difference) applied to **LidSpace**.

Buttons for 'Apply' and 'Copy' are visible for each modifier.

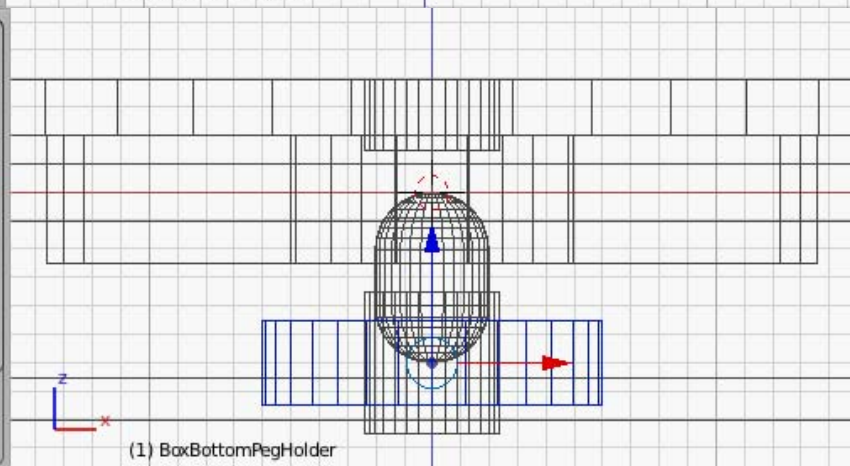
Blender 'Add Cylinder' panel settings:

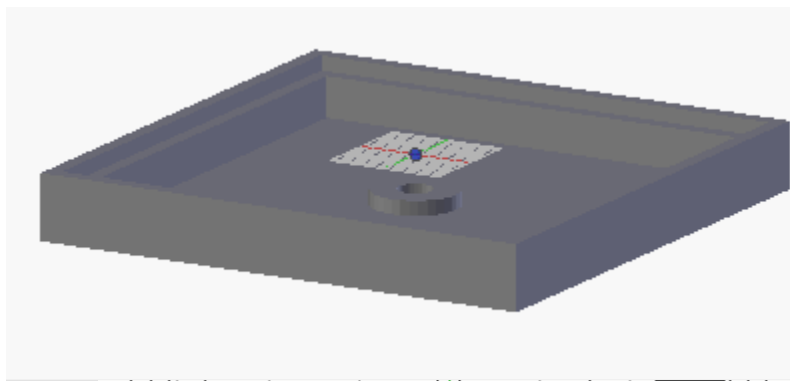
- Vertices: 32
- Radius: 2.400
- Depth: 5.000
- Cap Fill Type: Ngon
- Align to View:
- Location: X: 0.000, Y: 0.000, Z: -6.000



Blender 'Add Cylinder' panel settings:

- Vertices: 32
- Radius: 6.000
- Depth: 3.000
- Cap Fill Type: Ngon
- Align to View:
- Location: X: 0.000, Y: 0.000, Z: -6.000



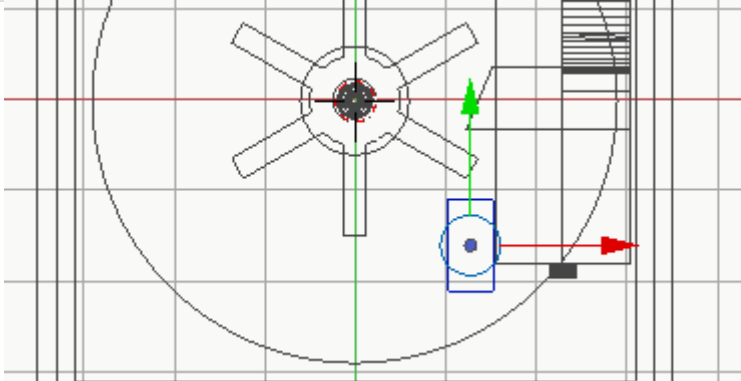


Operation: Difference Object: LidSpace

▼ n.003 [Icons] ▲ ▼ ✕

Apply Copy

Operation: Union Object: oxBottomPegHolder



▼ Transform

Location:

X: 12.80000 [Lock]

Y: -16.00000 [Lock]

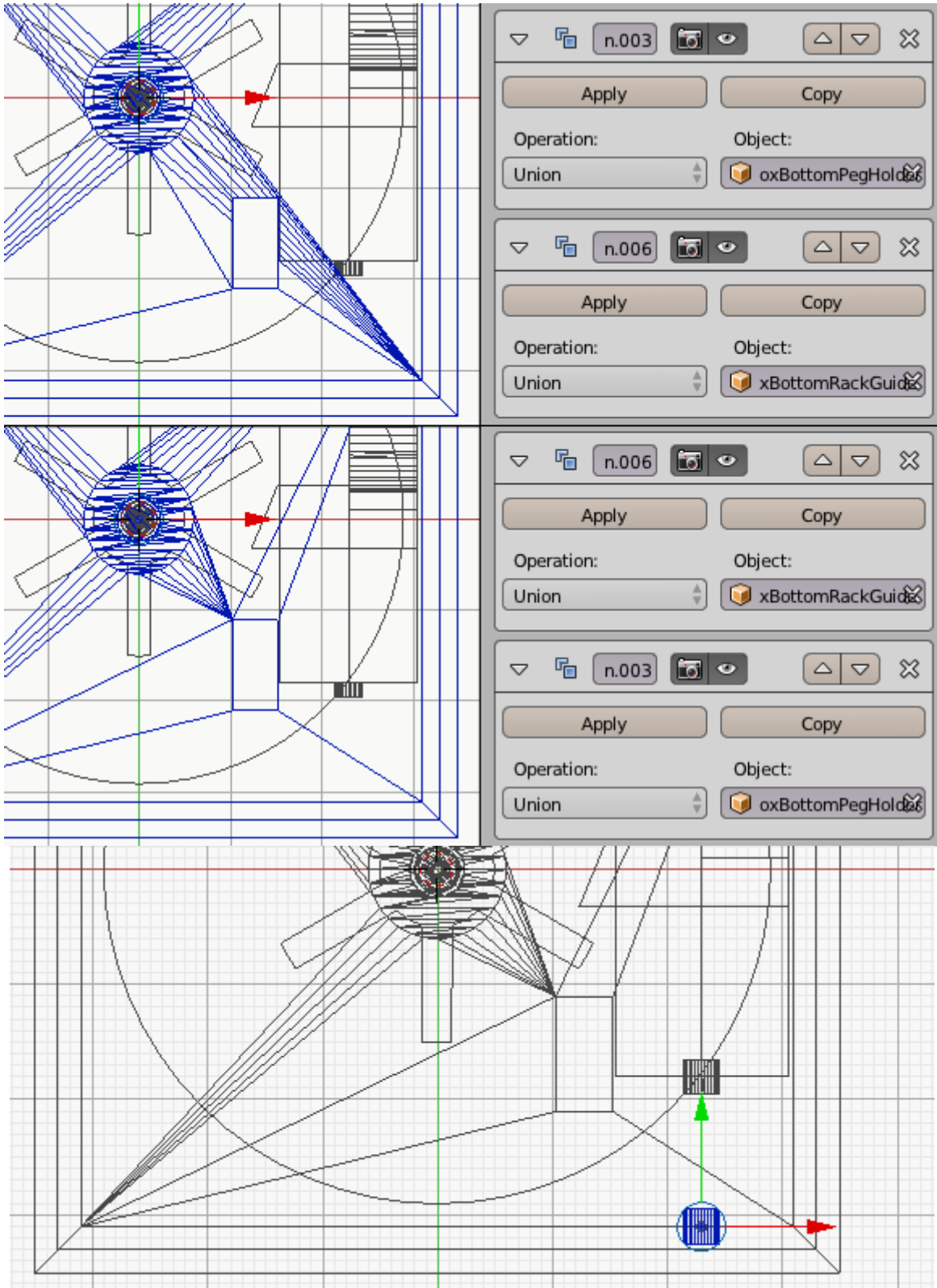
Z: -5.00000 [Lock]

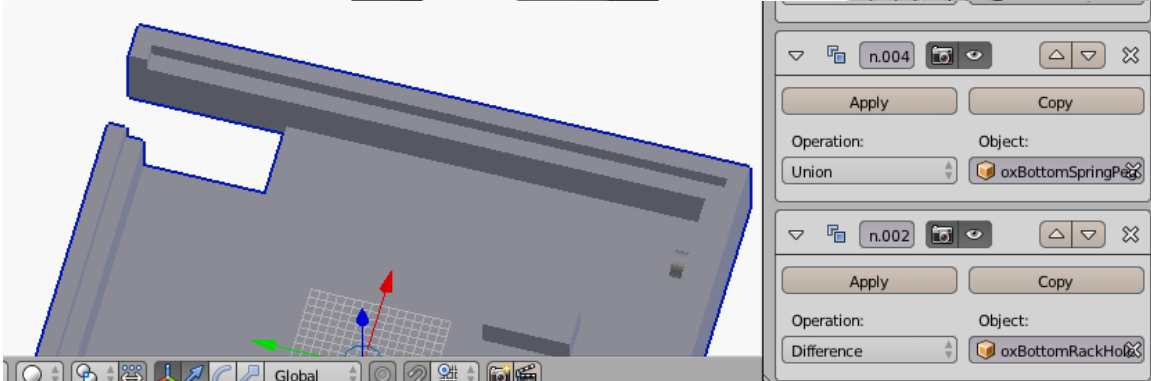
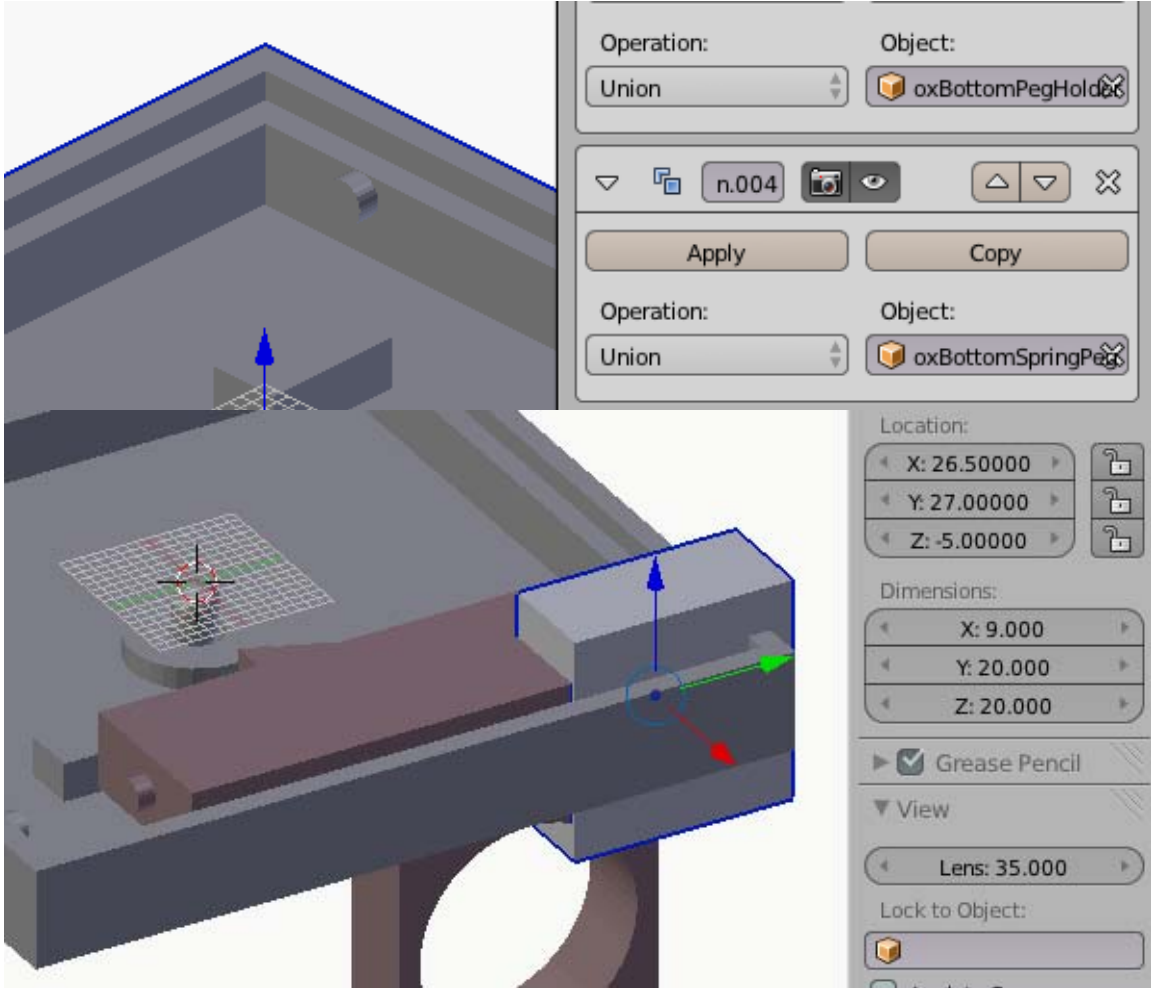
Dimensions:

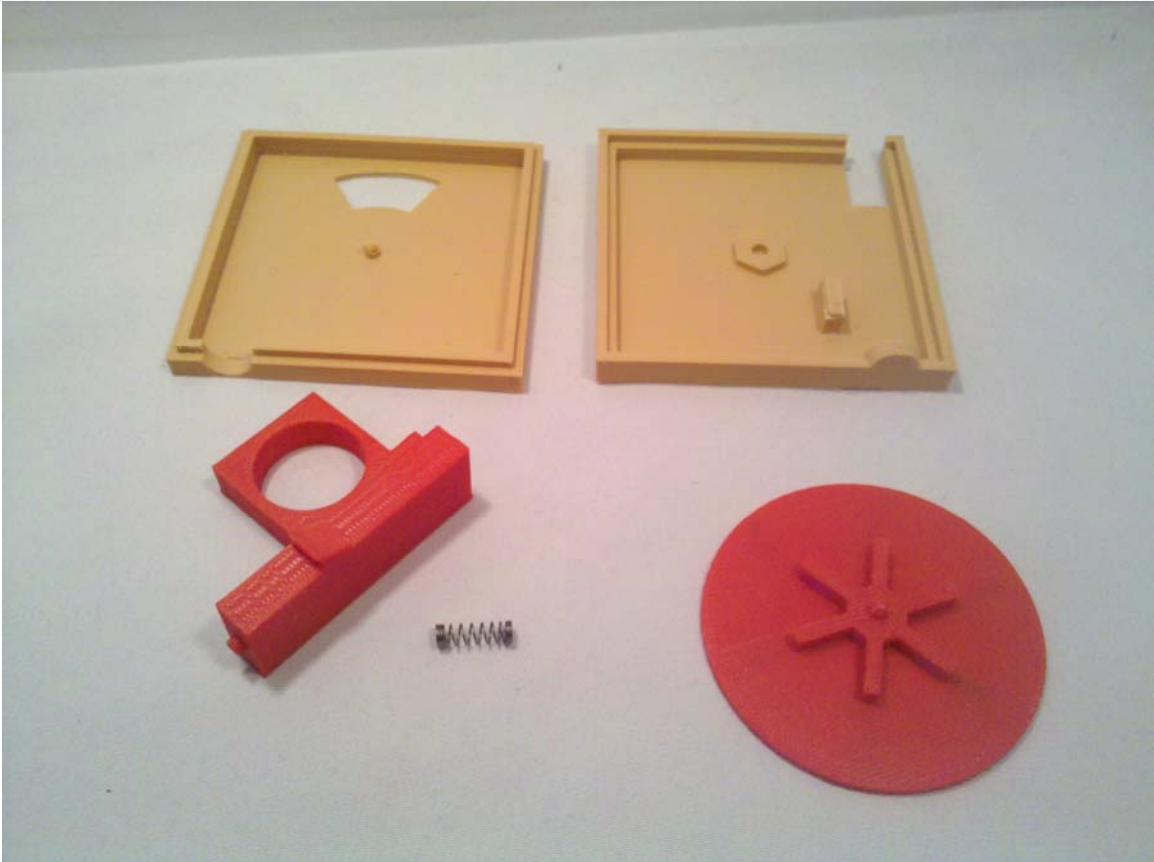
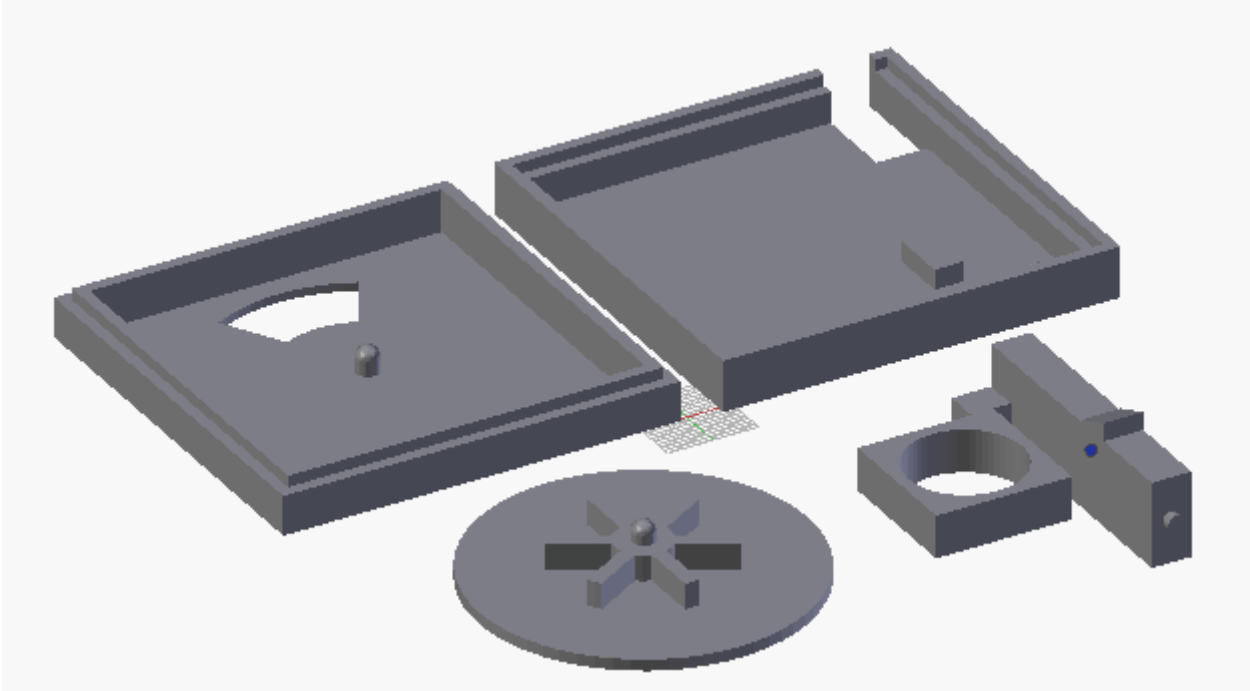
X: 5.000 [Lock]

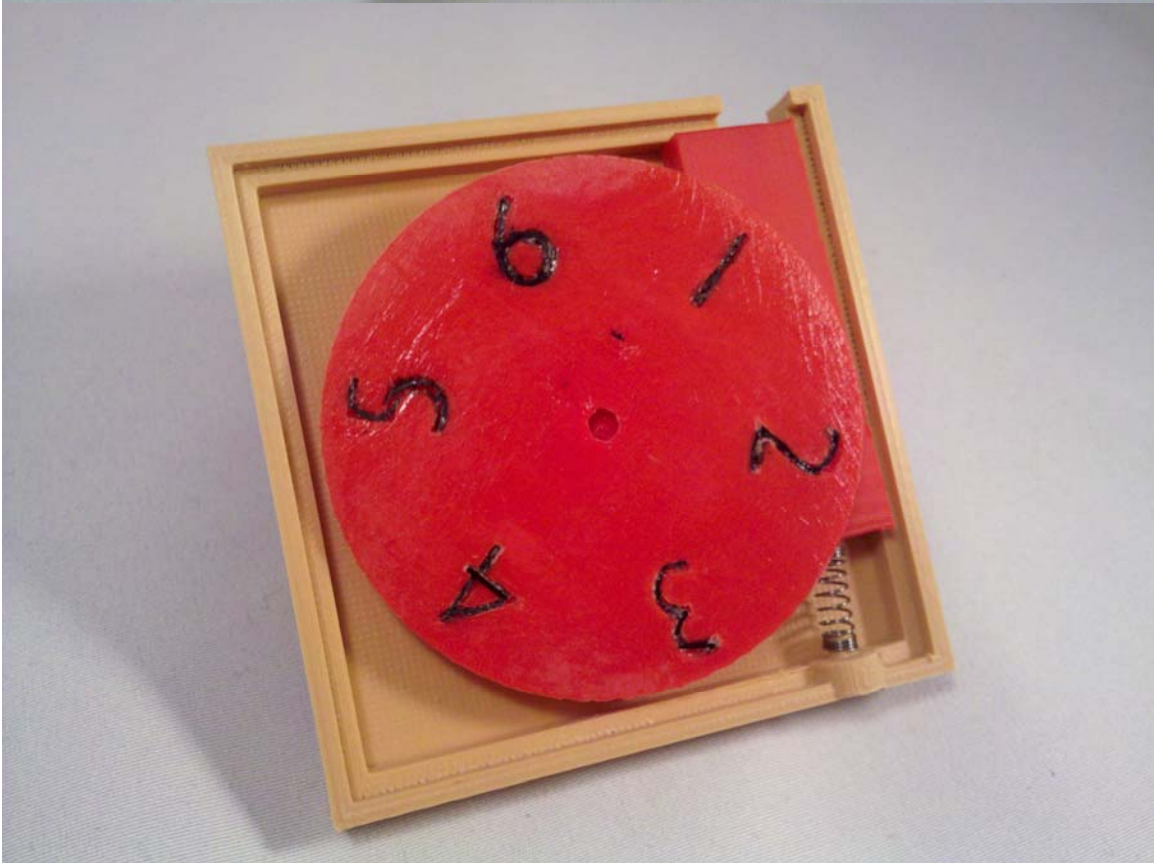
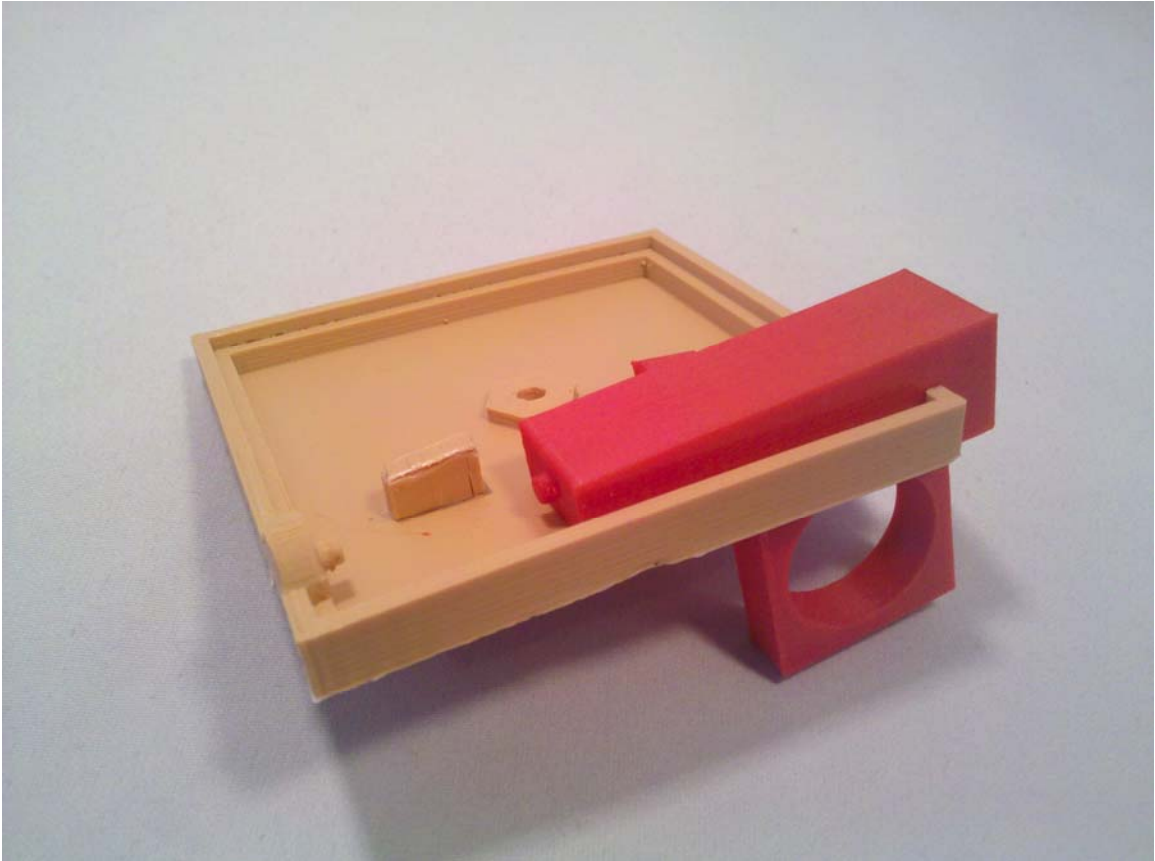
Y: 10.000 [Lock]

Z: 4.000 [Lock]



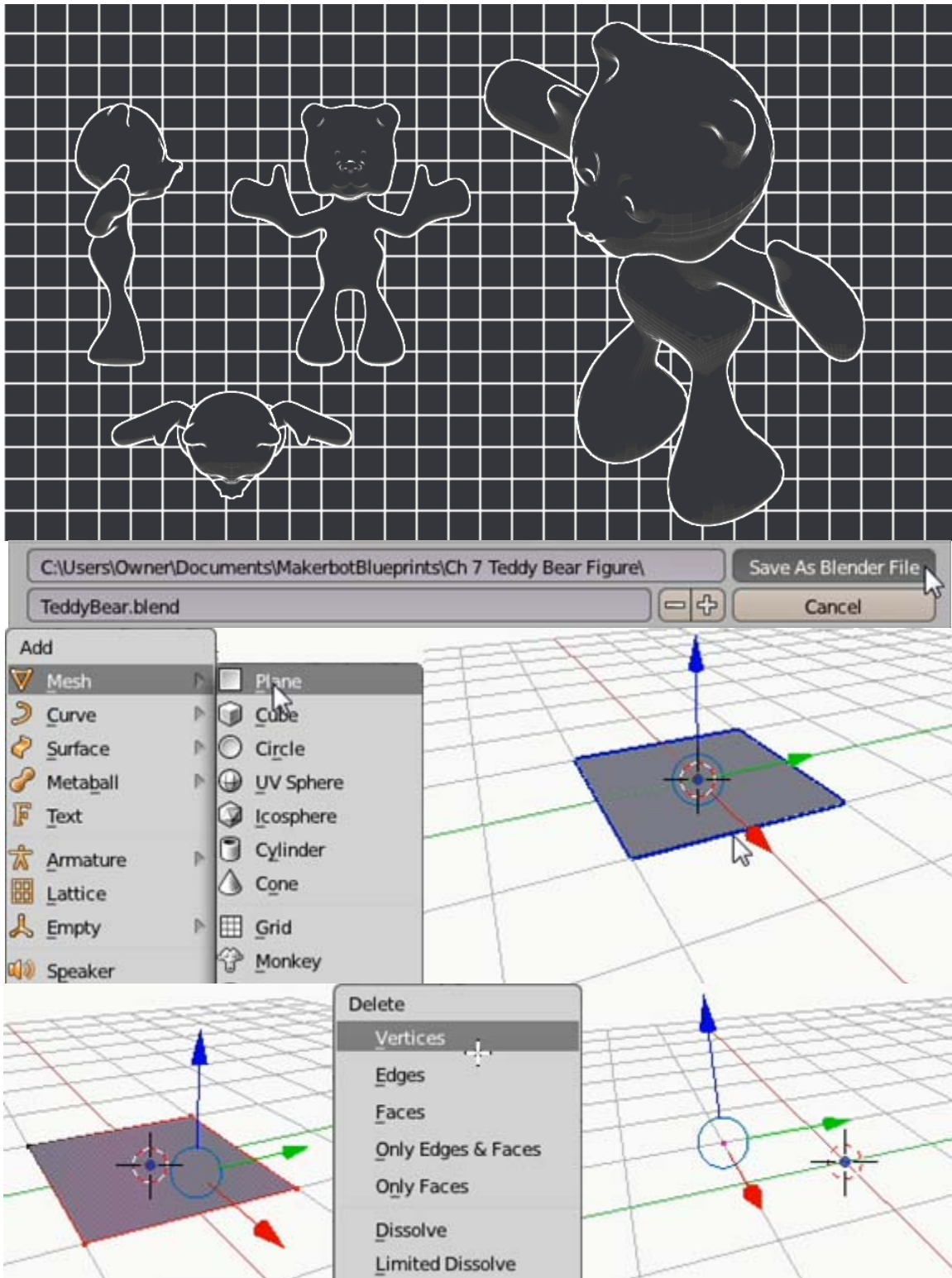


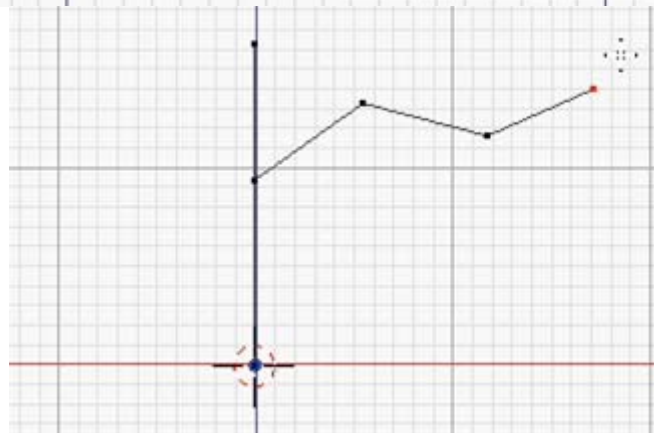
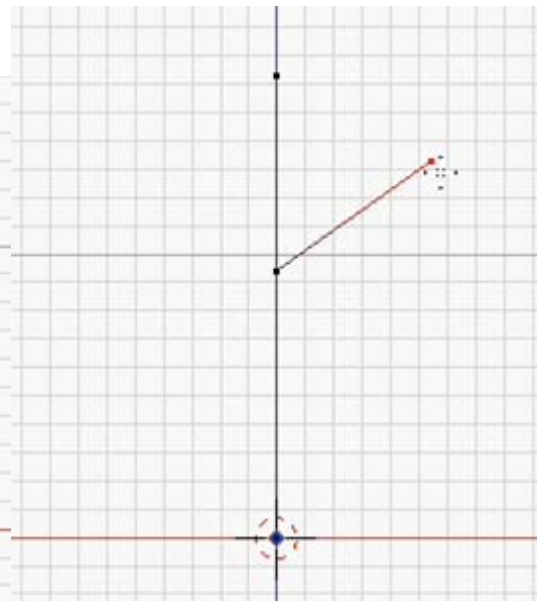
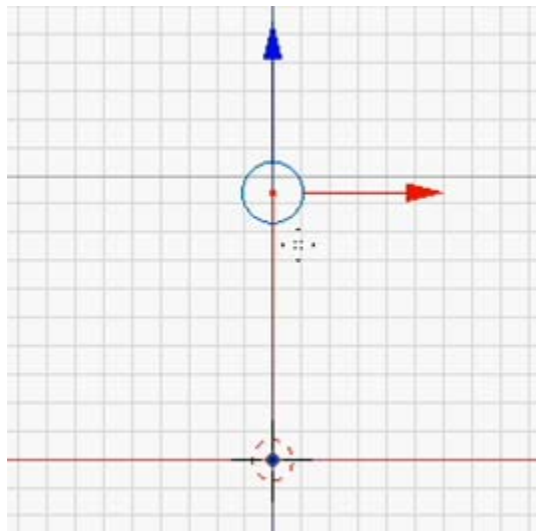


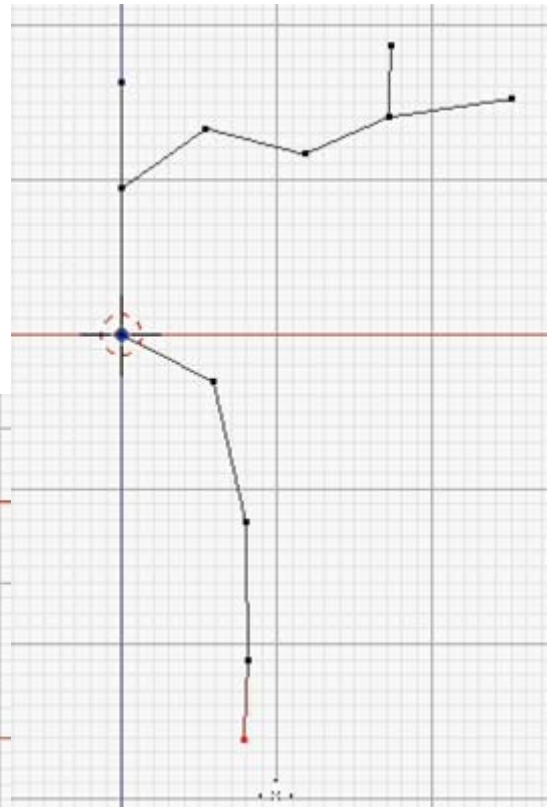
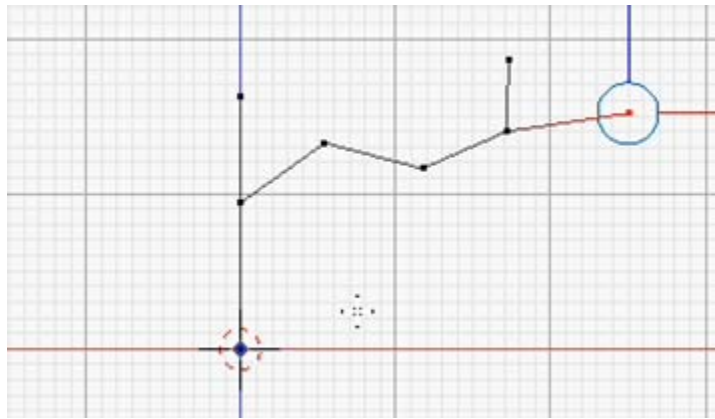


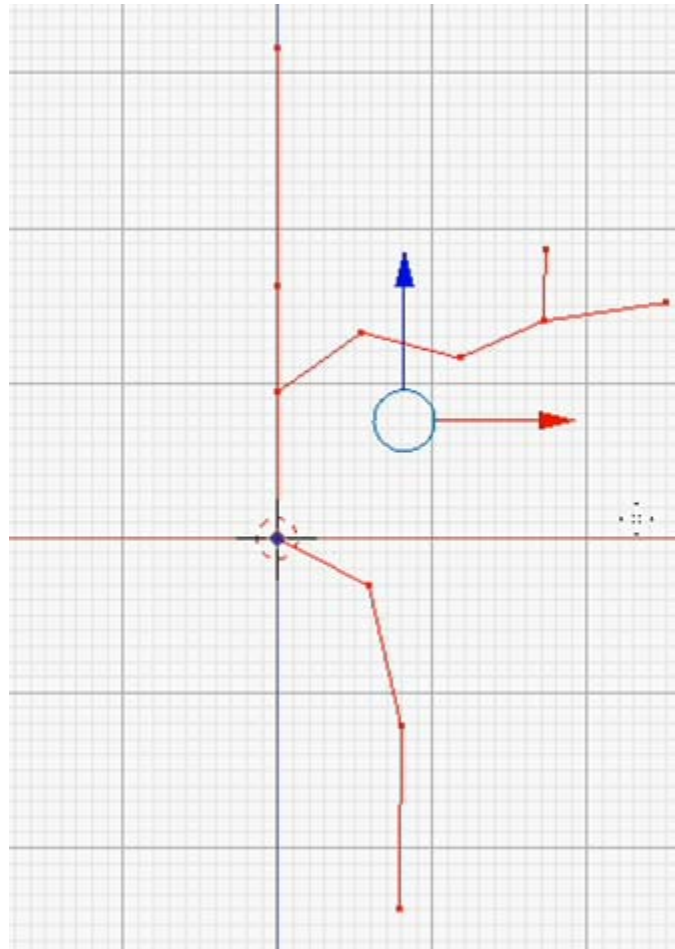


Chapter 7: Teddy Bear Figurine

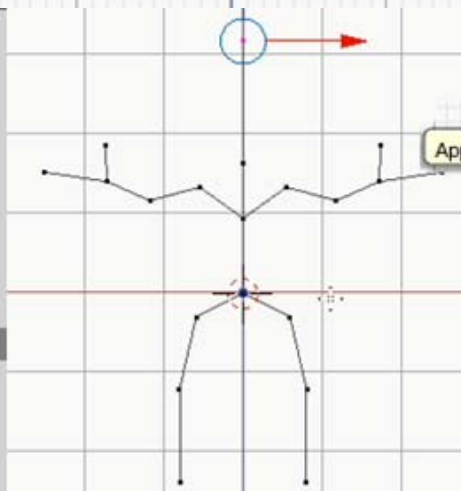








- Generate
- Array
- Bevel
- Boolean
- Build
- Decimate
- Edge Split
- Mask
- Mirror**
- Multiresolution
- Remesh
- Screw



Add Modifier

▼ or [Icons] ▲ ×

Apply modifier to editing cage during Edit mode

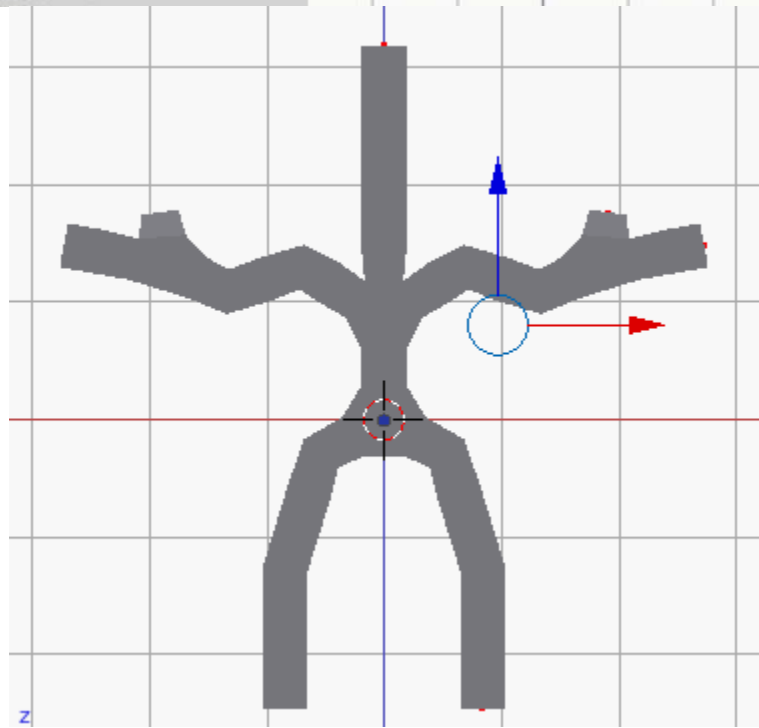
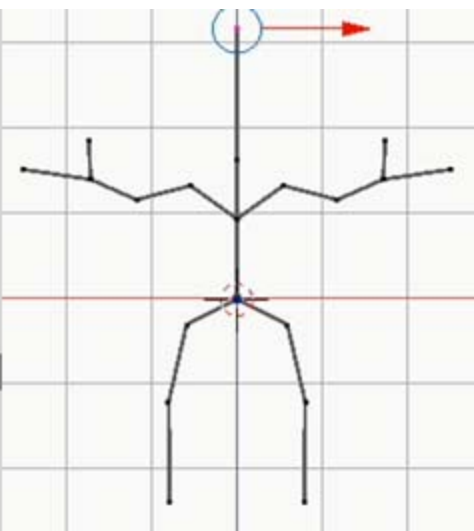
Axis:	Options:	Textures:
<input checked="" type="checkbox"/> X	<input checked="" type="checkbox"/> Merge	<input type="checkbox"/> U
<input type="checkbox"/> Y	<input type="checkbox"/> Clipping	<input type="checkbox"/> V
<input type="checkbox"/> Z	<input checked="" type="checkbox"/> Vertex G	

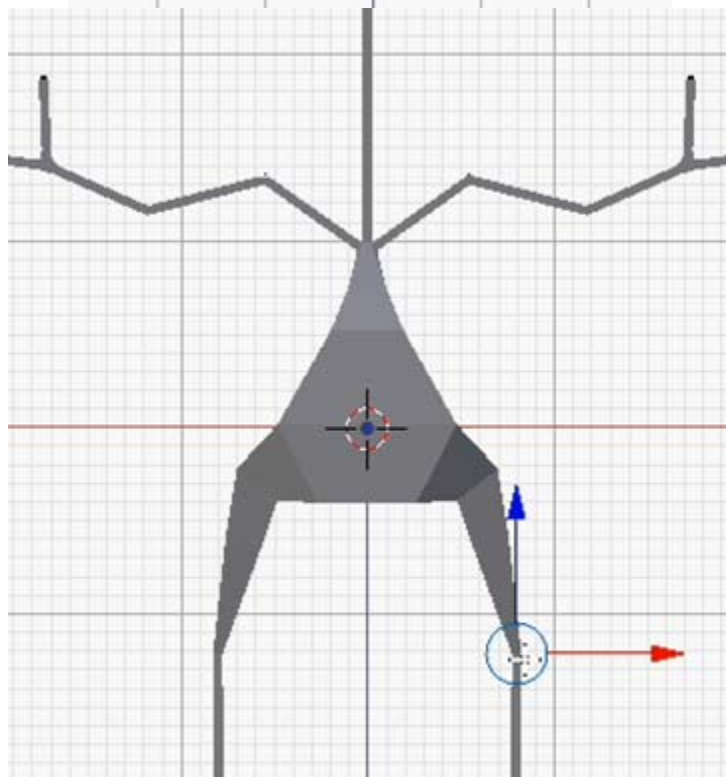
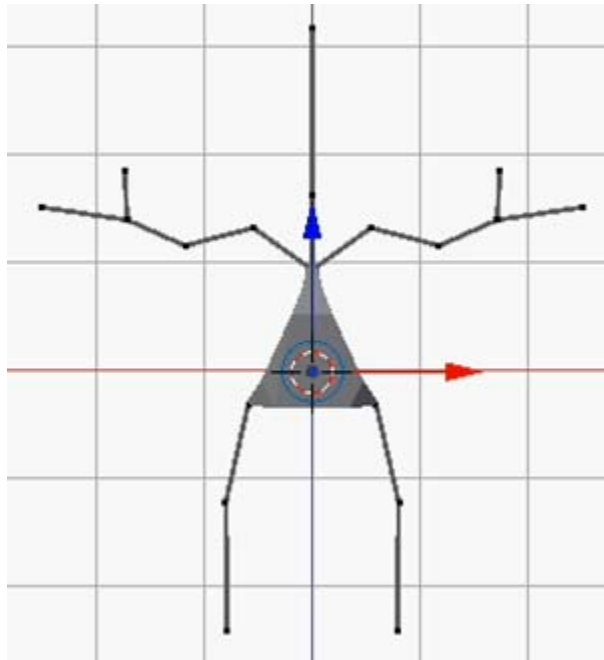
Merge Limit: 0.001000

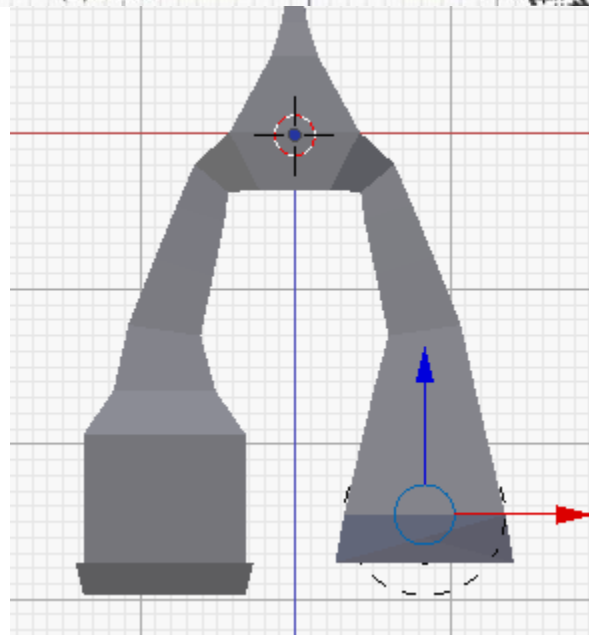
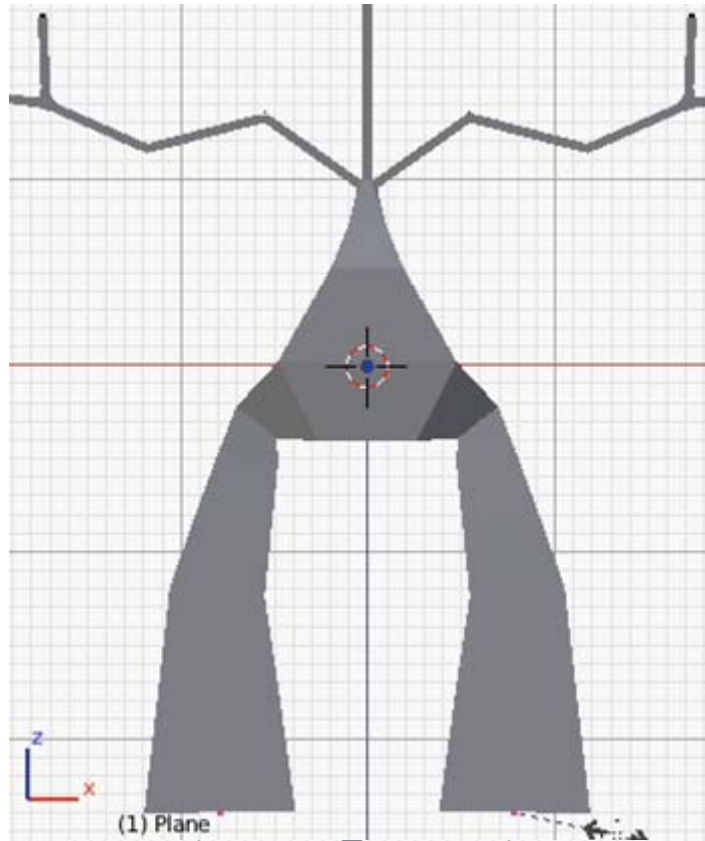
Mirror Object:

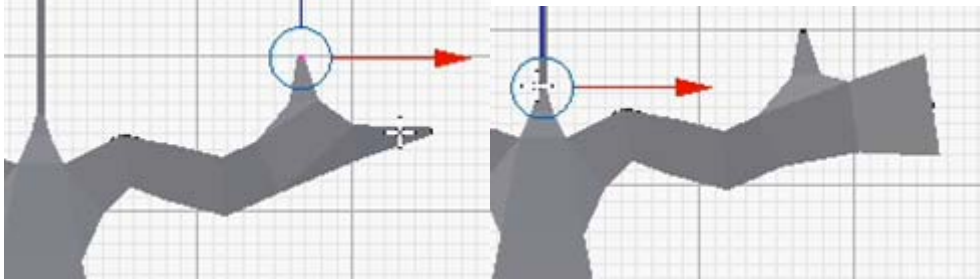
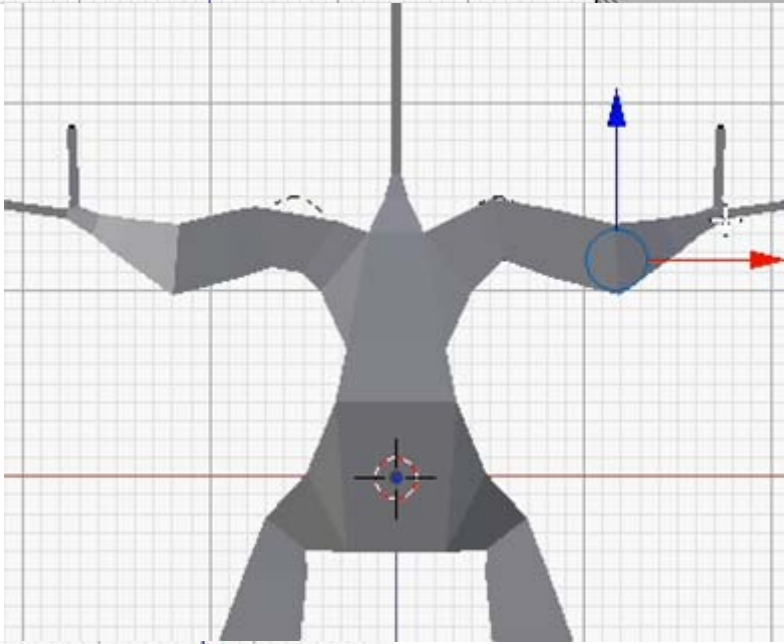
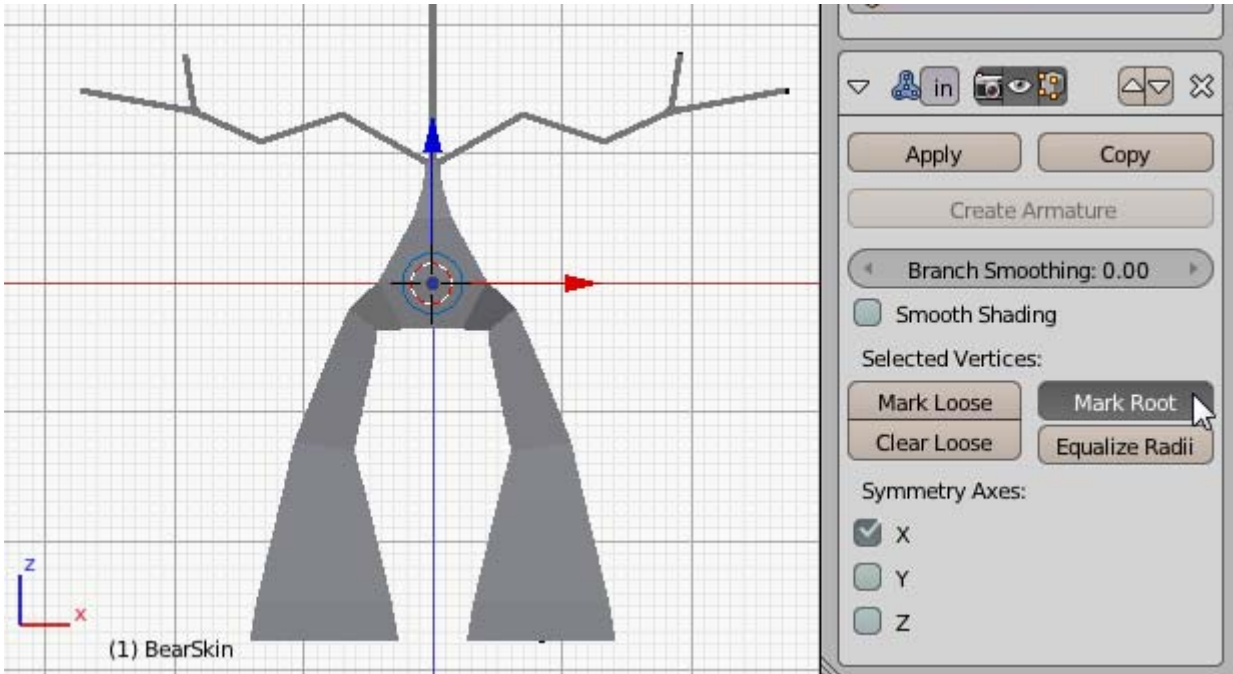
[Object Icon]

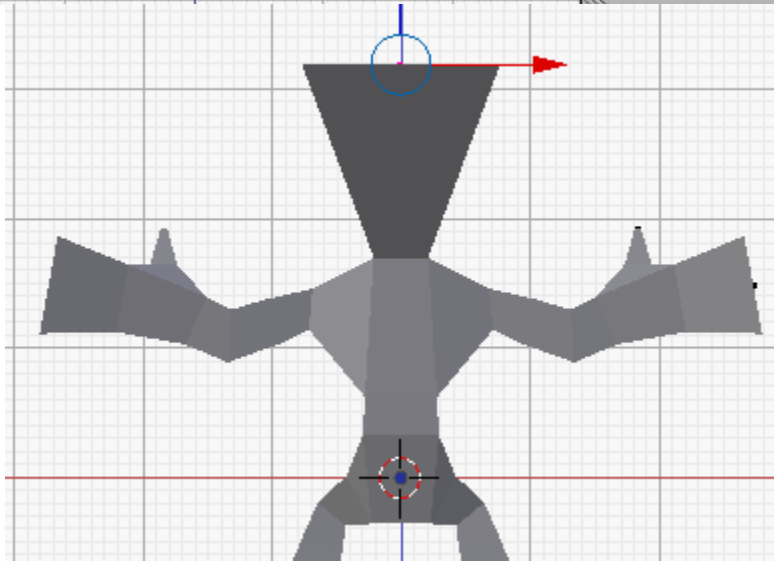
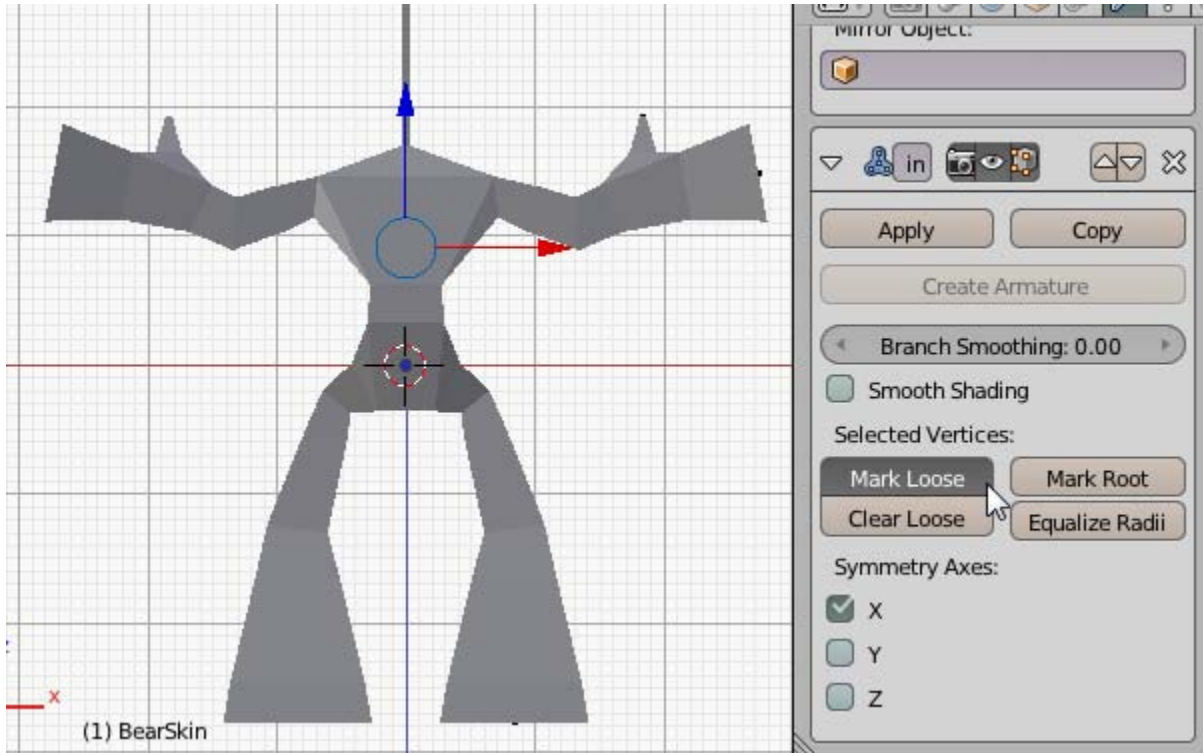
- Build
- Decimate
- Edge Split
- Mask
- Mirror
- Multiresolution
- Remesh
- Screw
- Skin**
- Solidify
- Subdivision Surface
- Triangulate

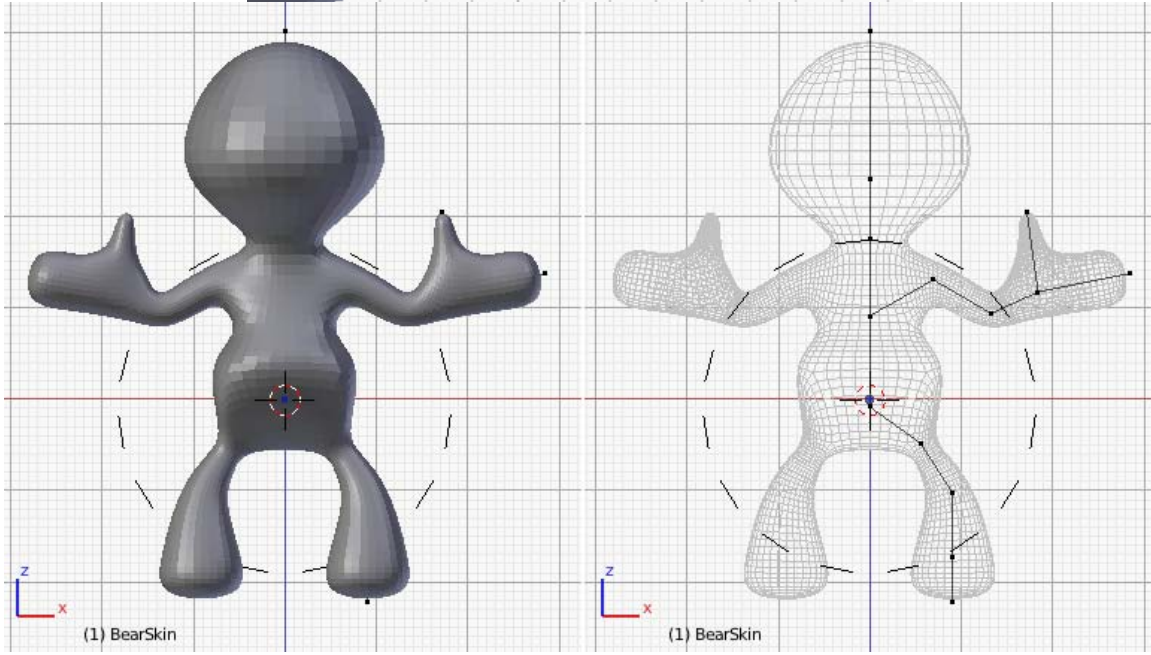
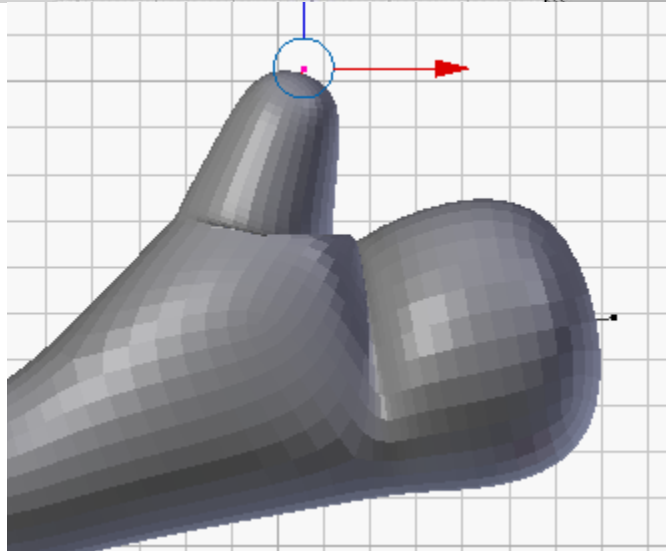
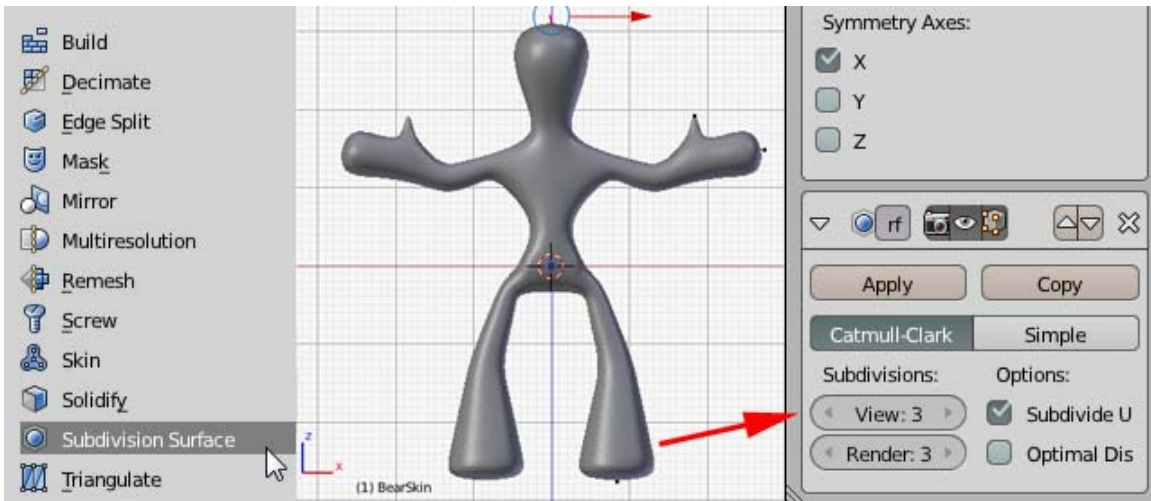


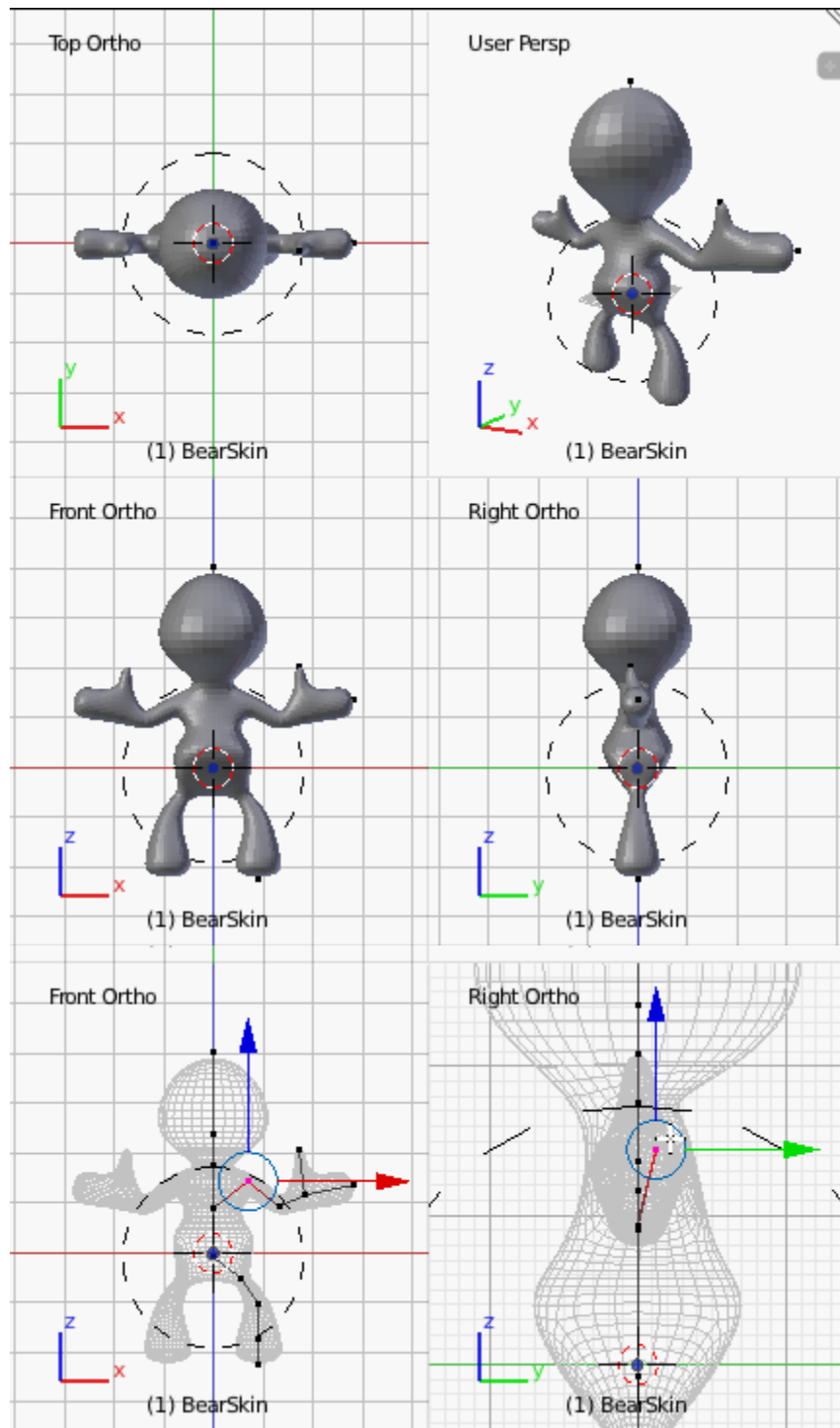


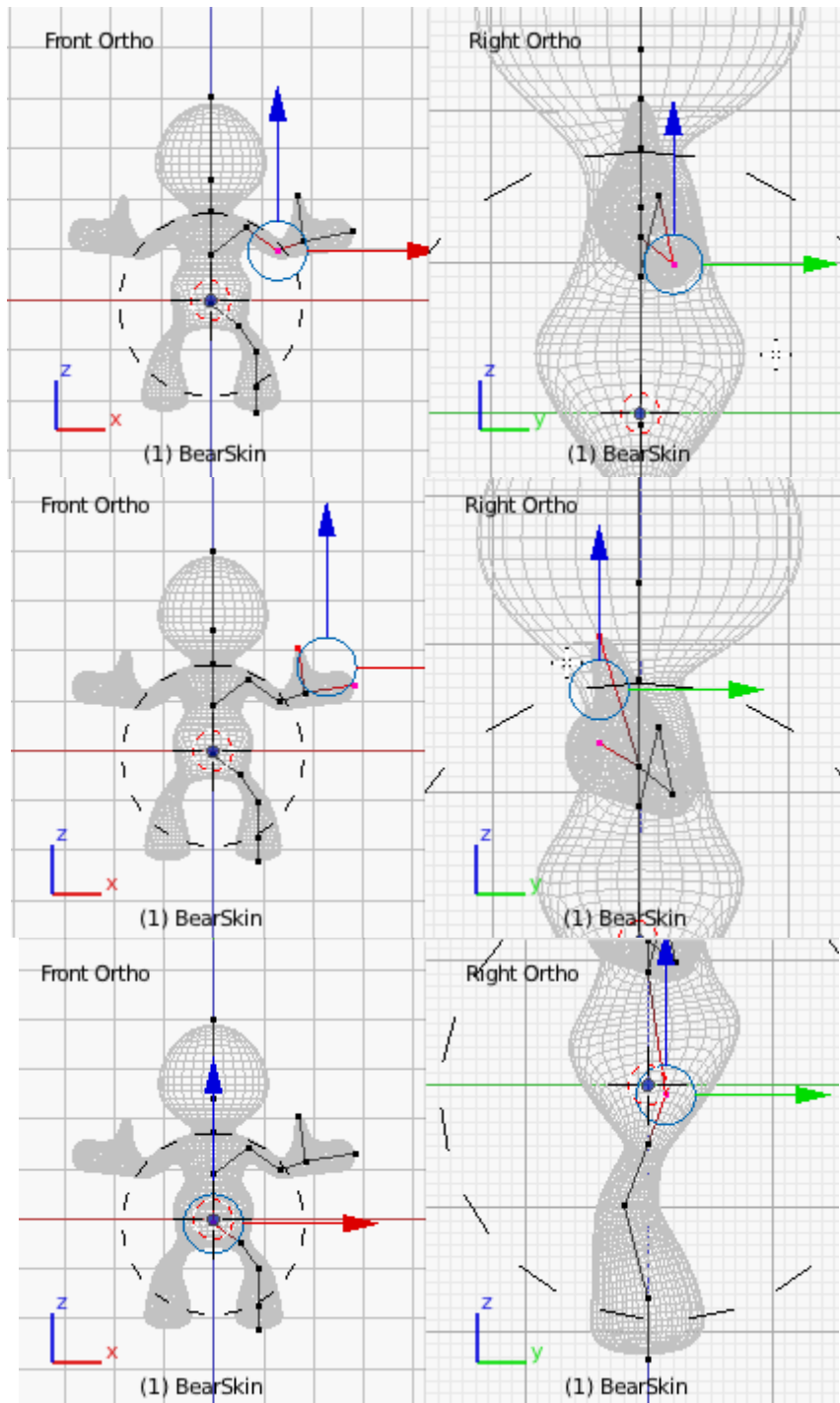


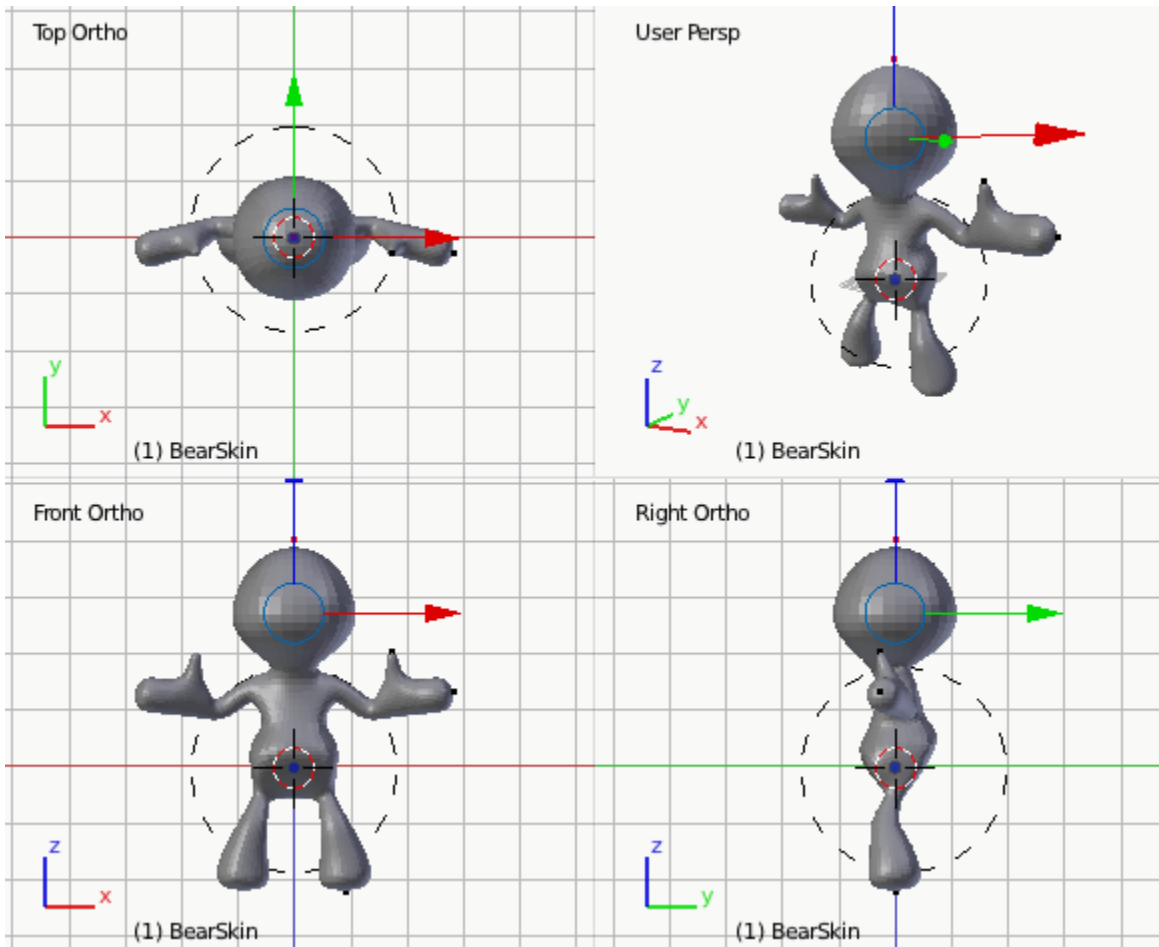


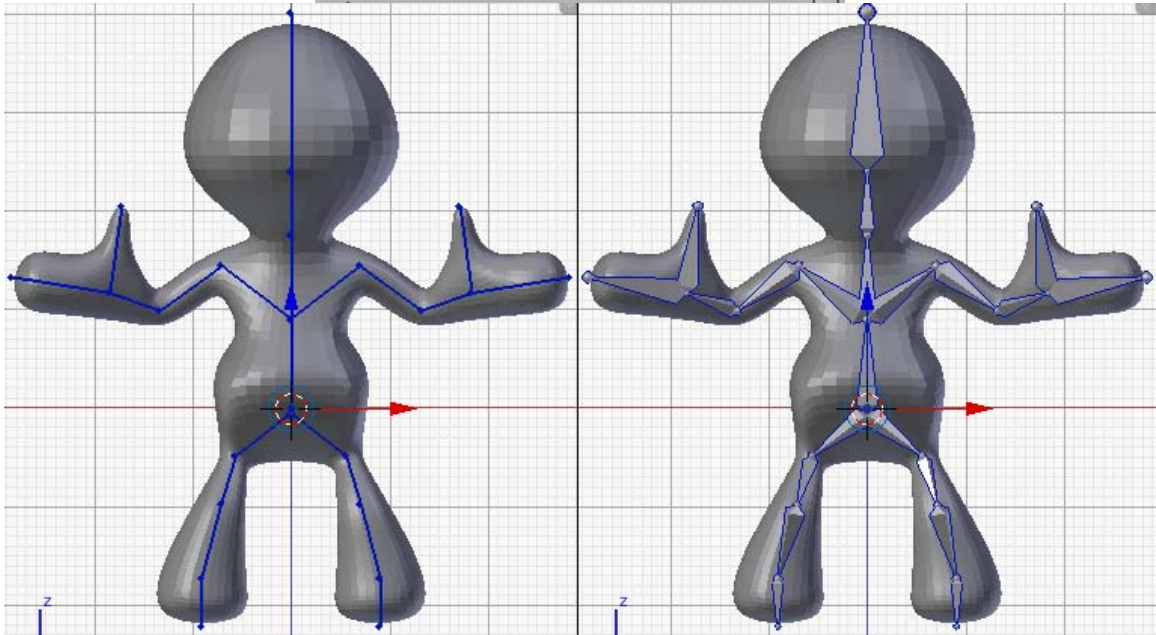
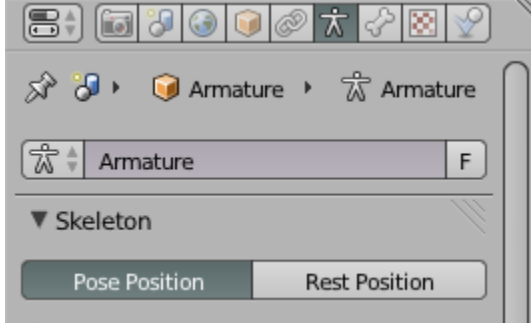
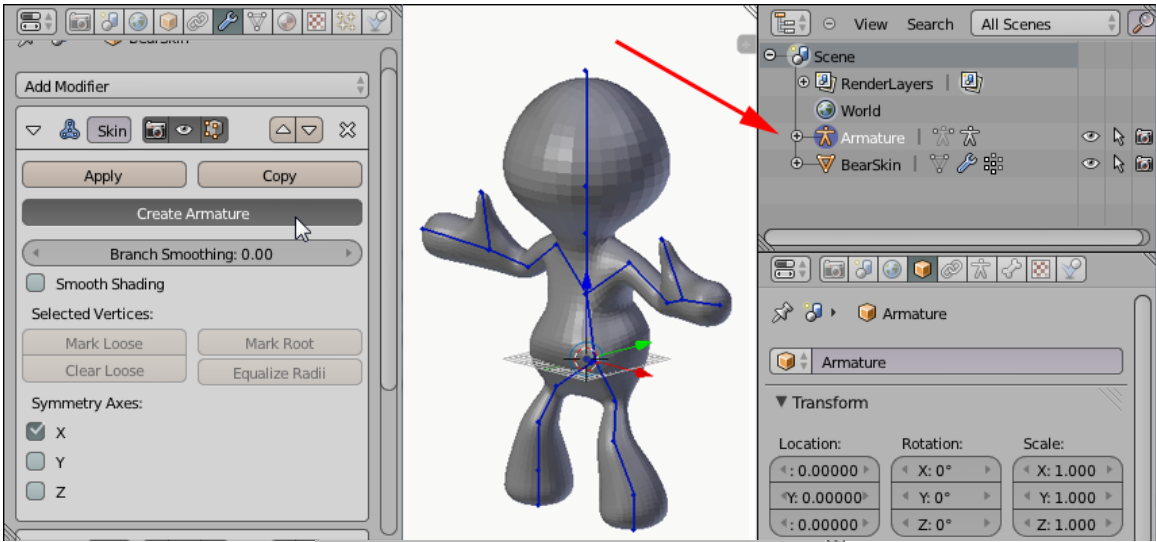


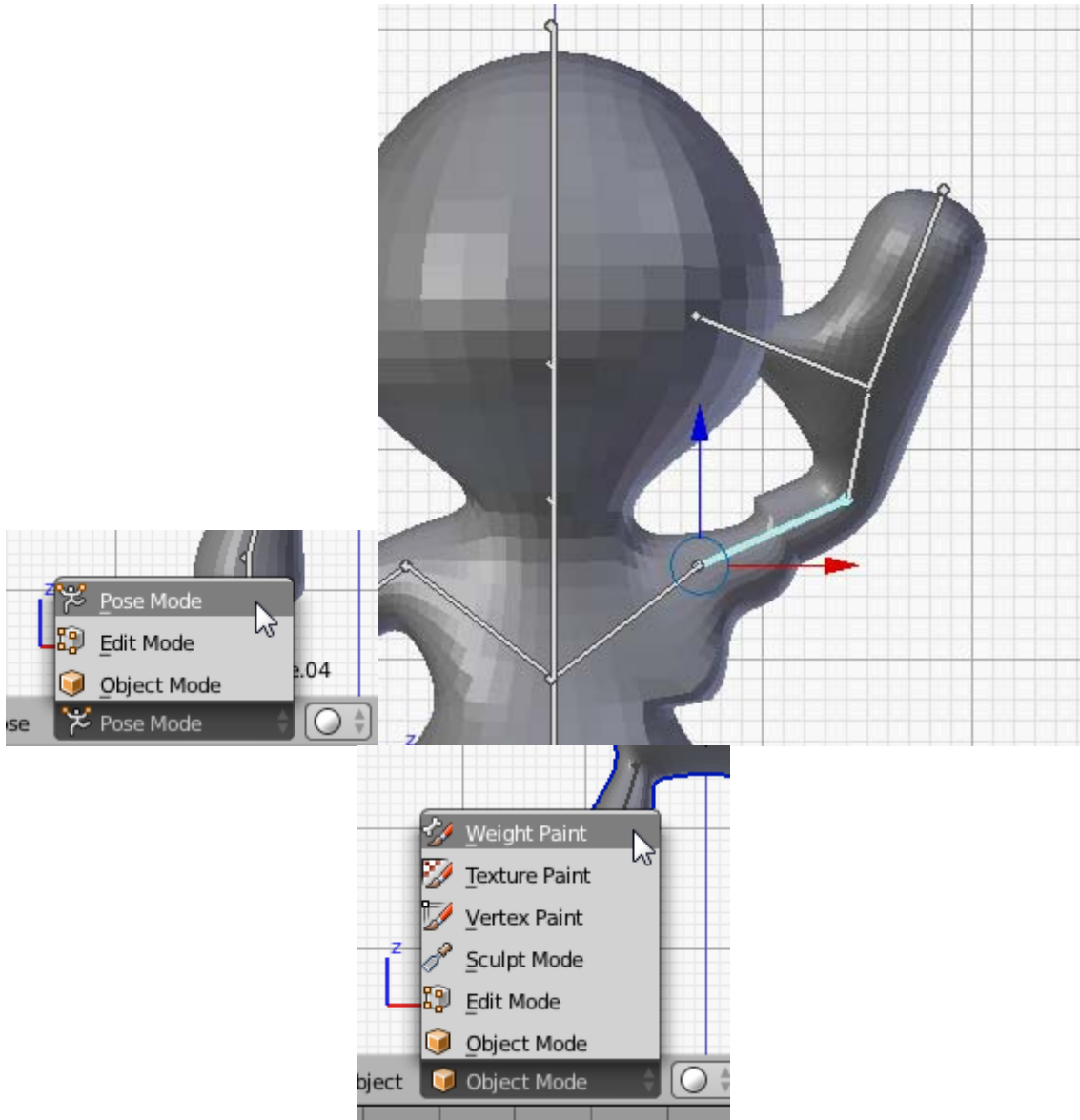


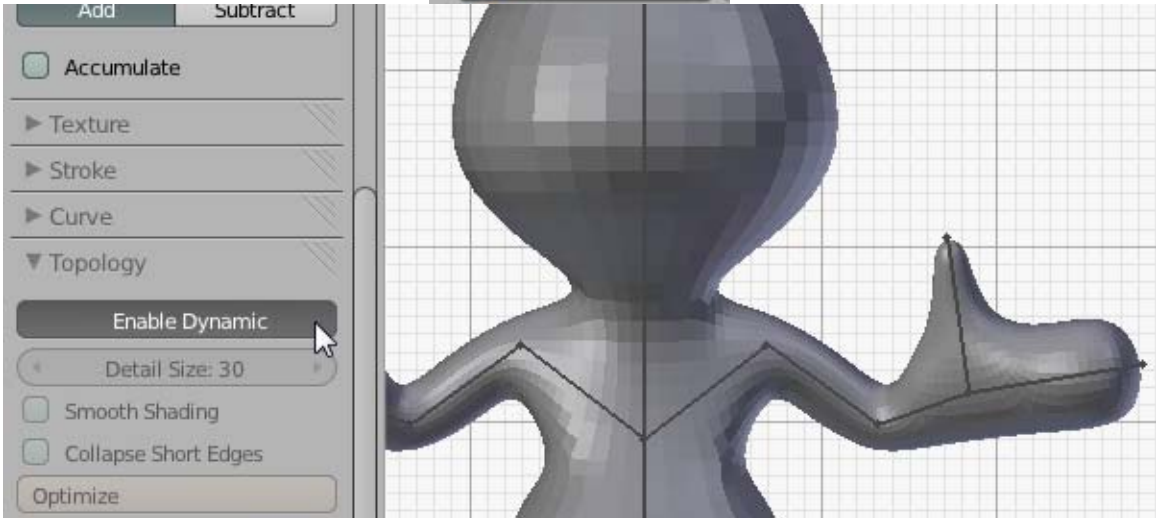
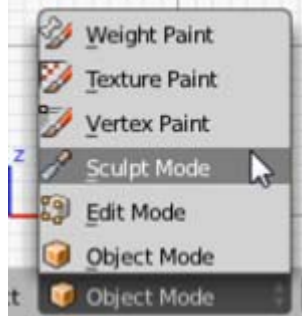
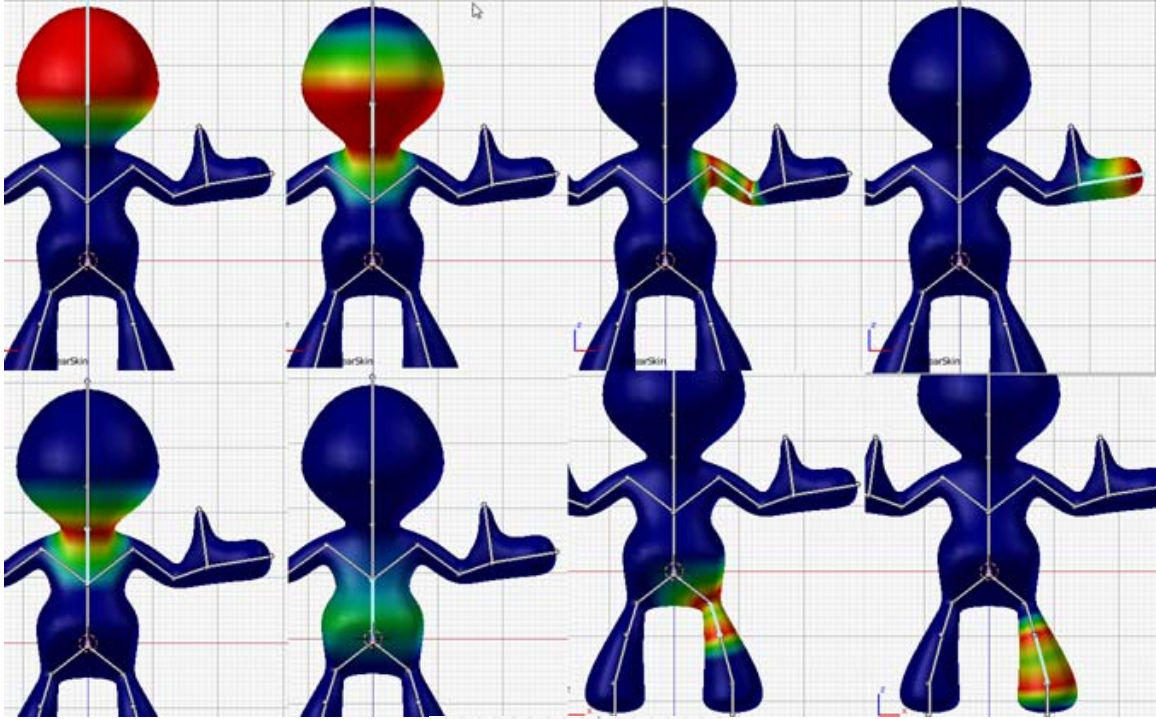


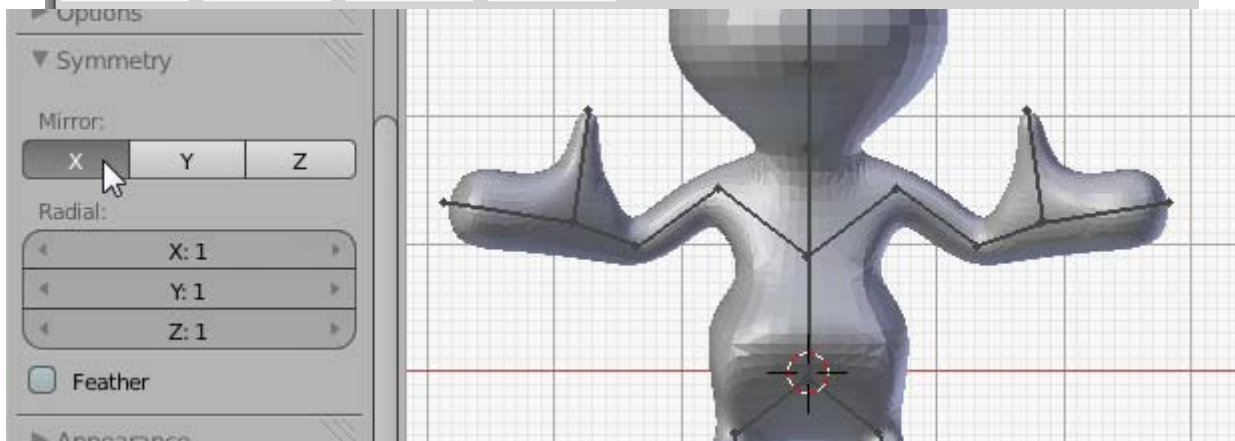
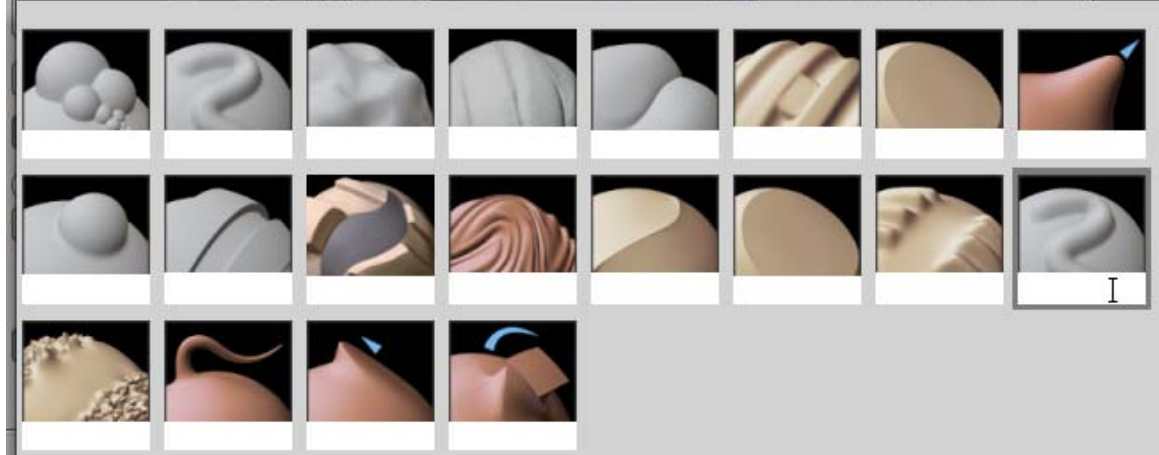
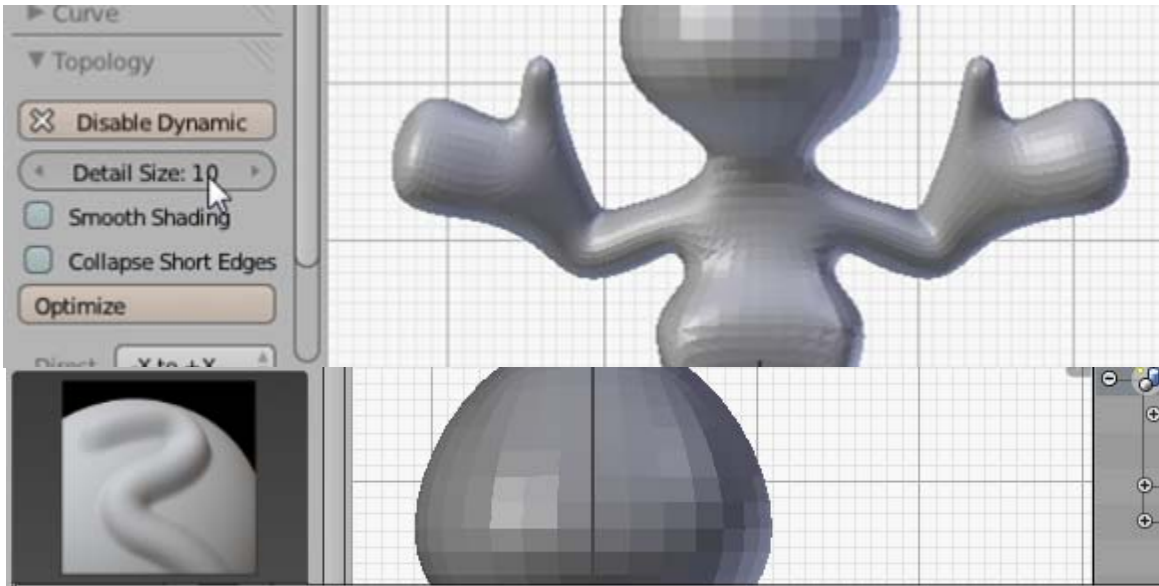


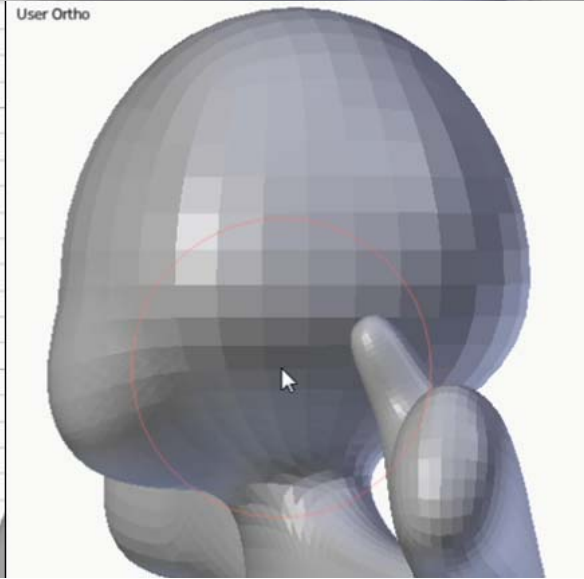
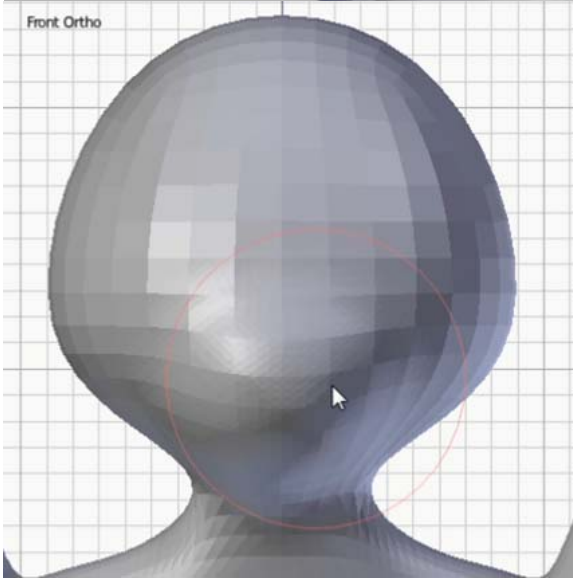
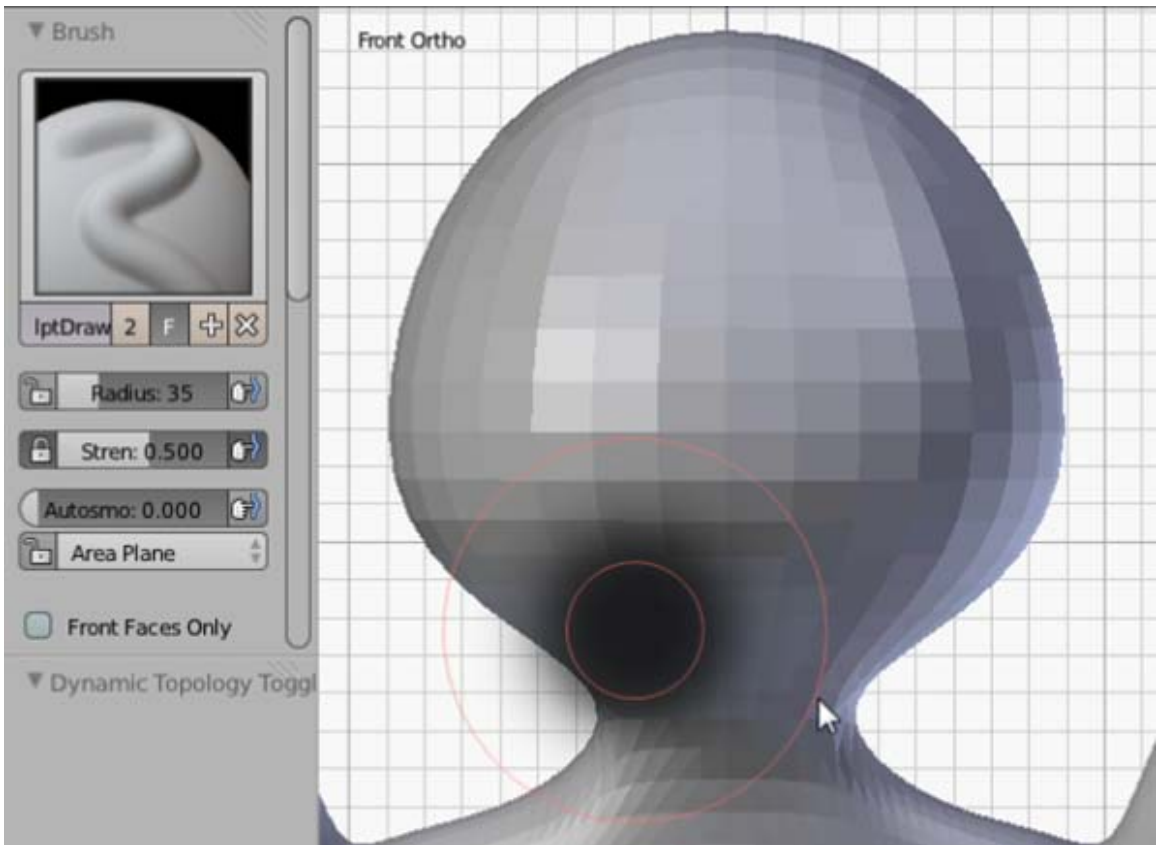




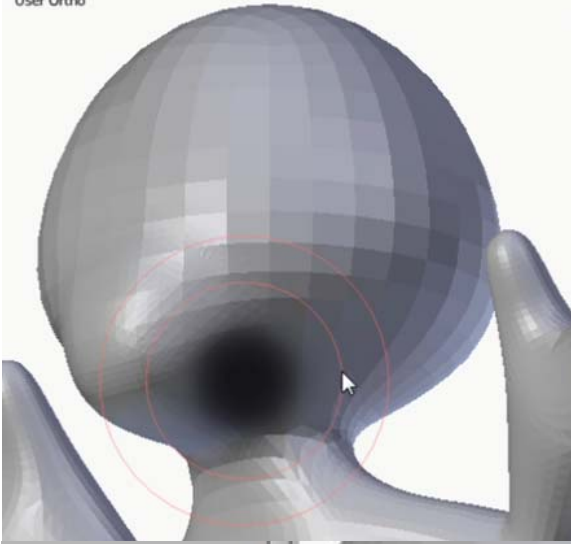




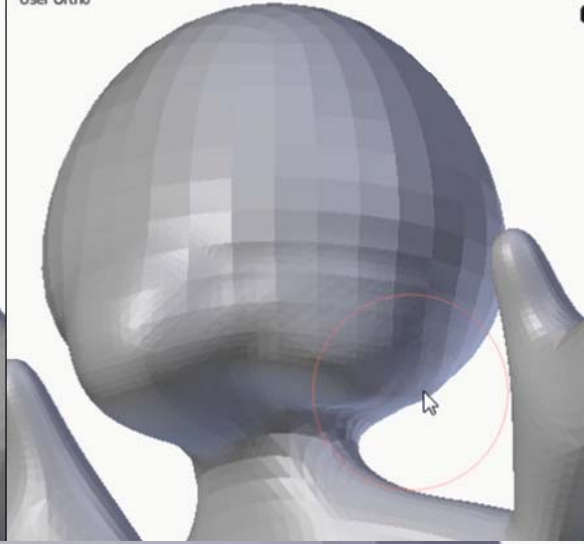




User Ortho



User Ortho



Radius: 59

Stren: 0.500

Autosmo: 0.000

Area Plane

Front Faces Only

Add Subtract

Accumulate

► Texture

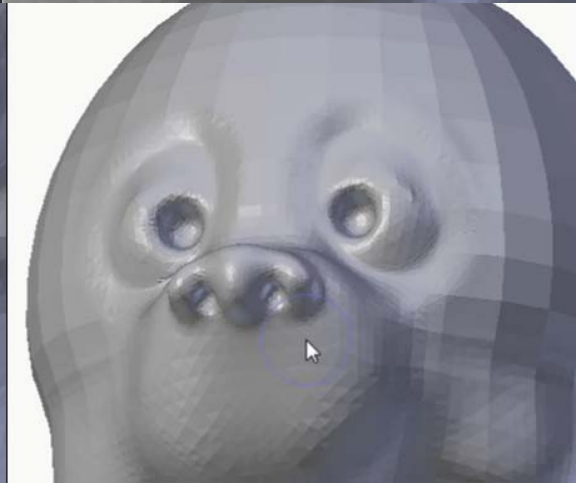
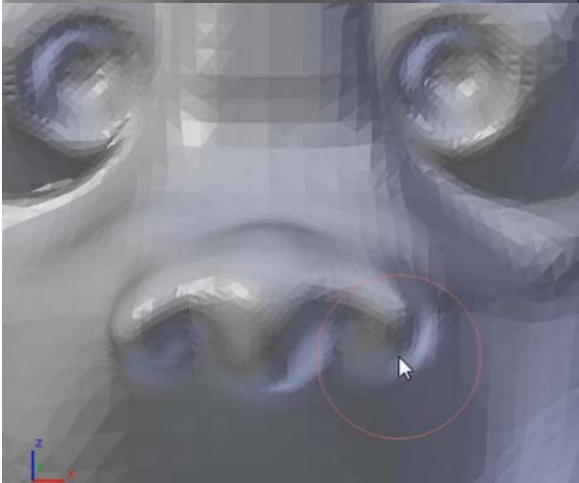
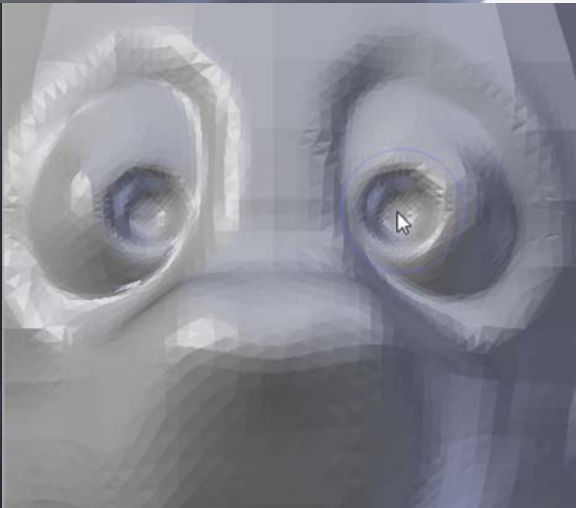
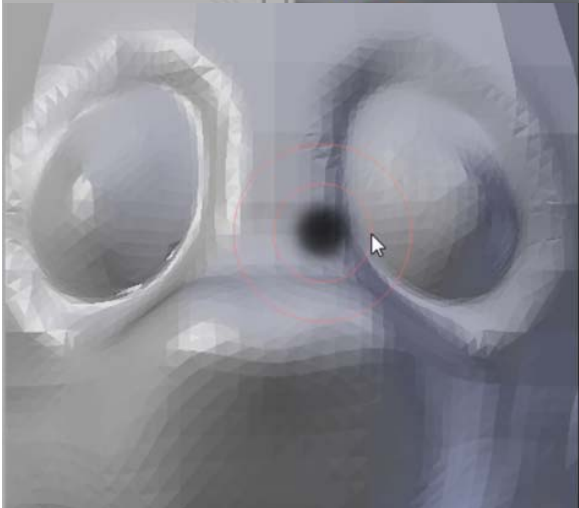
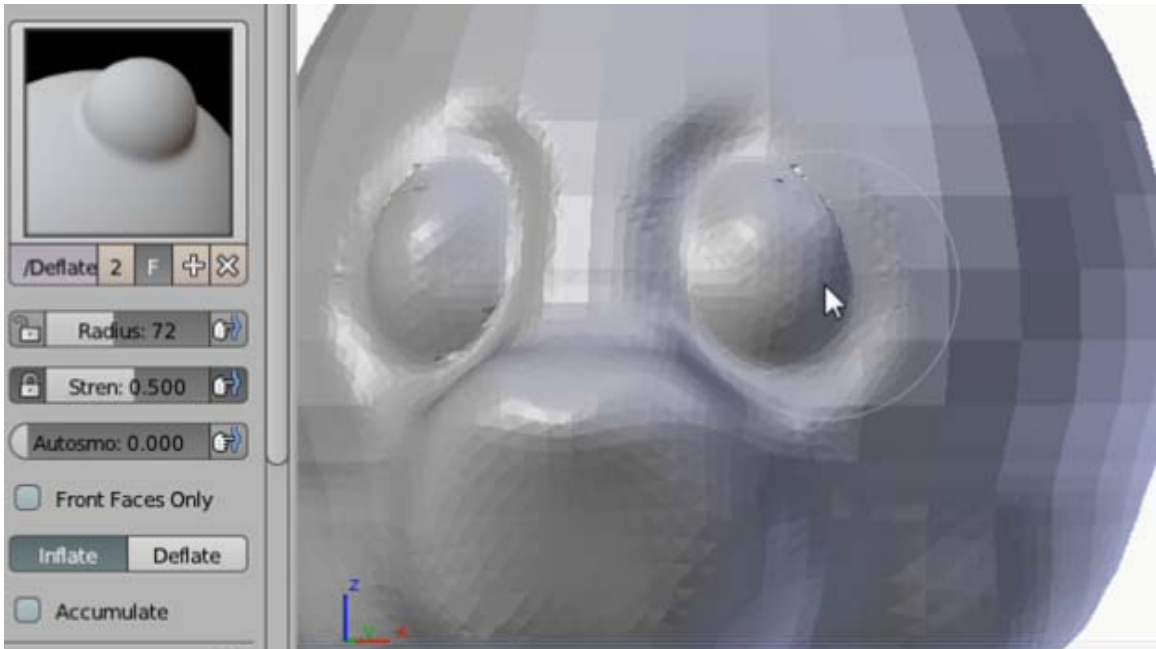
► Stroke

► Curve

▼ Topology

▼ Radial Control








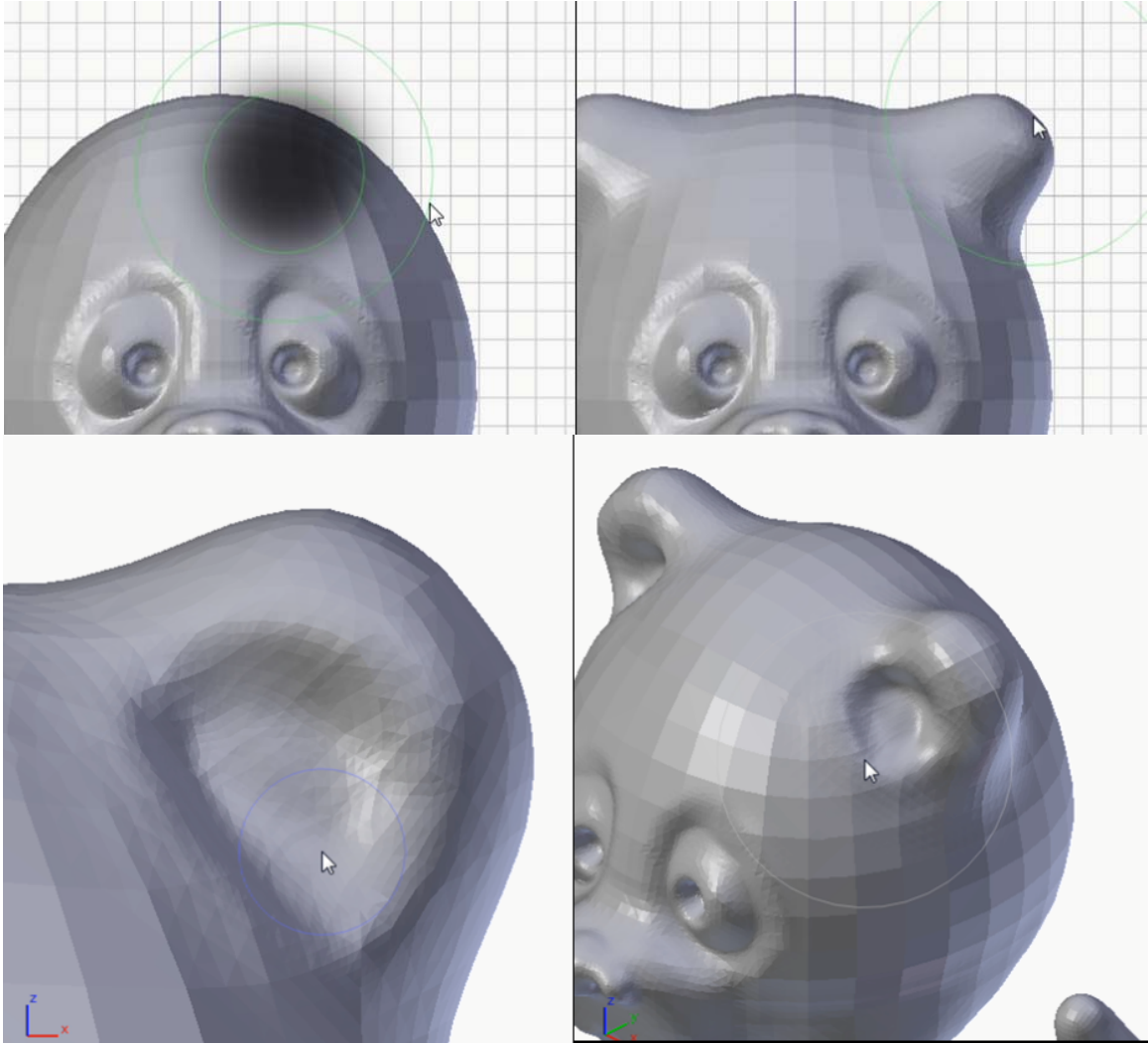
Scene

- RenderLayer
- World
- Armature
- BearSkin



Thumbnail grid:

Search icon





Generate

- Array
- Bevel
- Boolean
- Build
- Decimate**
- Edge Split
- Mask
- Mirror

Deform

- Armature
- Cast
- Curve
- Display
- Hook
- Laplacian
- Lattice
- Mesh

▼ [Apply] [Copy] [Close]

Apply Copy

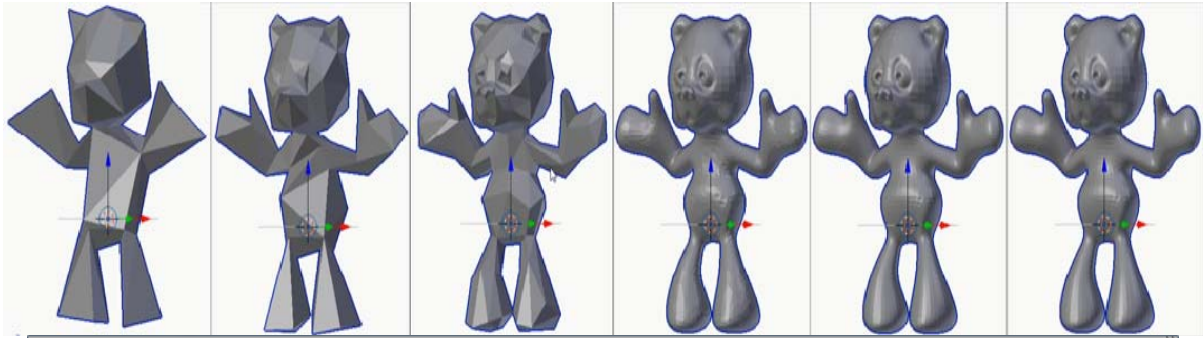
Collapse Un-Subdivide Planar

Ratio: 1.0000

[Grid Icon] [Invert]

Triangulate

Face Count: 93708



Blender 2.79 interface showing a bear character in Pose Mode. The main viewport displays the bear in a front orthographic view, with its skeleton visible. The bear is standing with its arms raised. The interface includes a menu bar at the top (File, Add, Render, Window, Help), a toolbar, and a Properties panel on the right. The Properties panel shows the current object is 'Armature Bone.14' and is in 'Pose Position' mode. The 'Pose Tools' panel on the left contains various tools for manipulating the pose, such as Translate, Rotate, Scale, Push, Relax, Breakdowner, Copy, Paste, Add To Library, Keyframes, Motion Paths, Repeat, Grease Pencil, and Weight Paint Mode. The 'Display' panel on the right shows the current display style is 'Stick' and has checkboxes for Names, Colors, Axes, X-Ray, Shapes, and Delay Refr.

File Add Render Window Help Default Scene Blender Render

▼ Pose Tools

Transform:

Translate

Rotate

Scale

In-Between:

Push Relax

Breakdowner

Pose:

Copy Paste

Add To Library

Keyframes:

Insert Remove

Motion Paths:

Calculate Paths

Clear Paths

Repeat:

Repeat Last

History...

Grease Pencil:

Draw Line

Poly Erase

▼ Weight Paint Mode

Front Ortho

1) Armature Bone.14

View Search All Scenes

Scene

RenderLayers

World

Armature

BearSkin

Arm

Armature F

▼ Skeleton

Pose Position Rest Position

Layers:

Protected Layers:

▼ Display

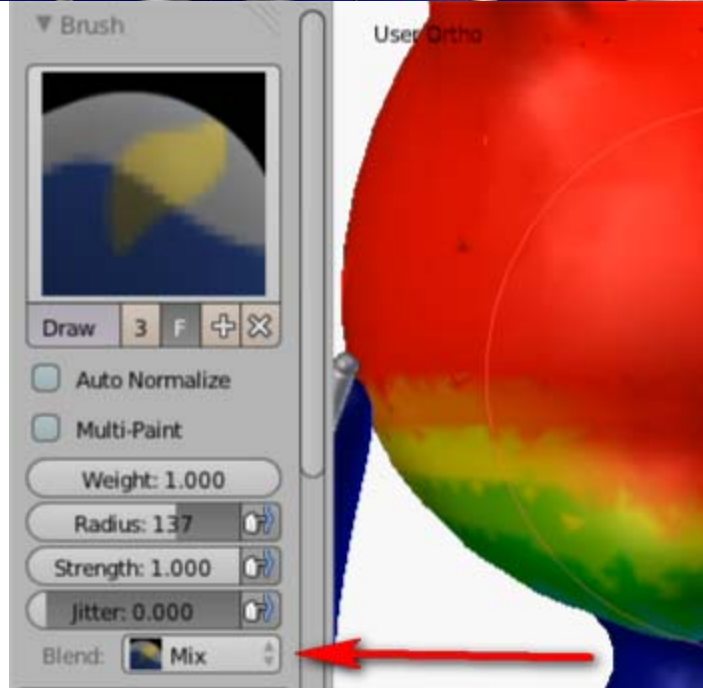
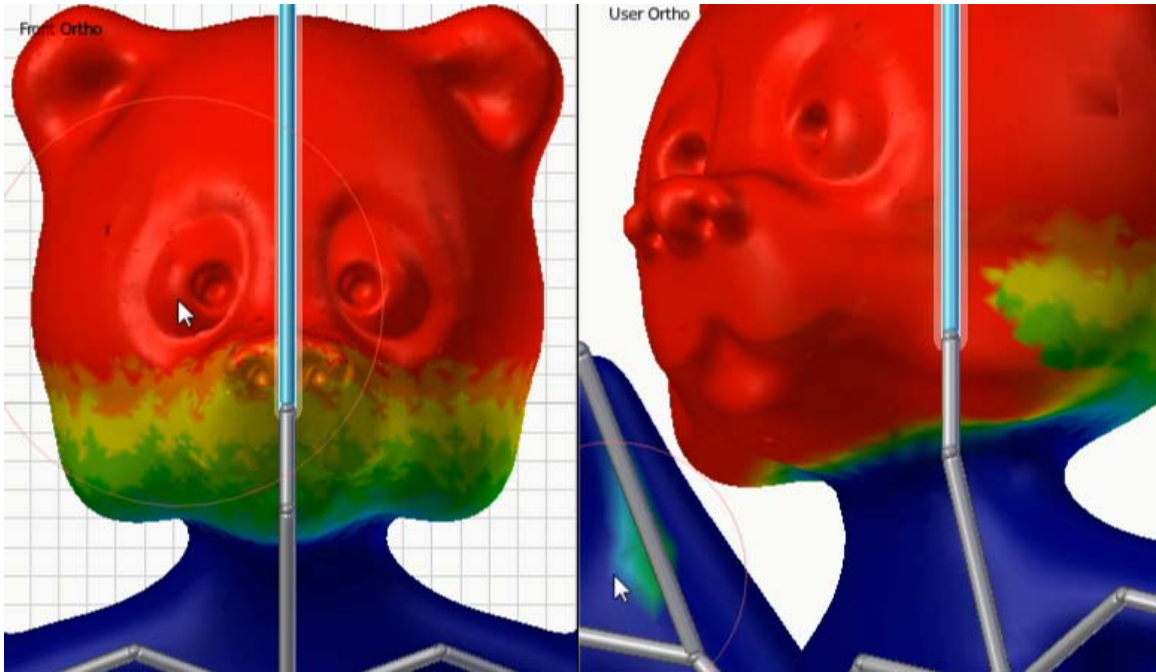
Octah Stick B-Bon Envel Wire

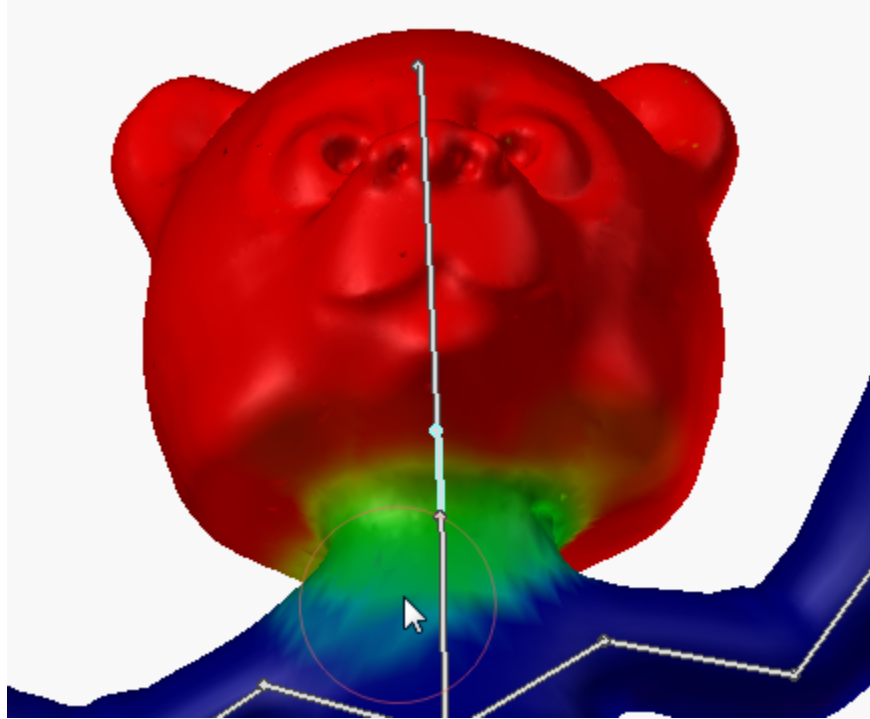
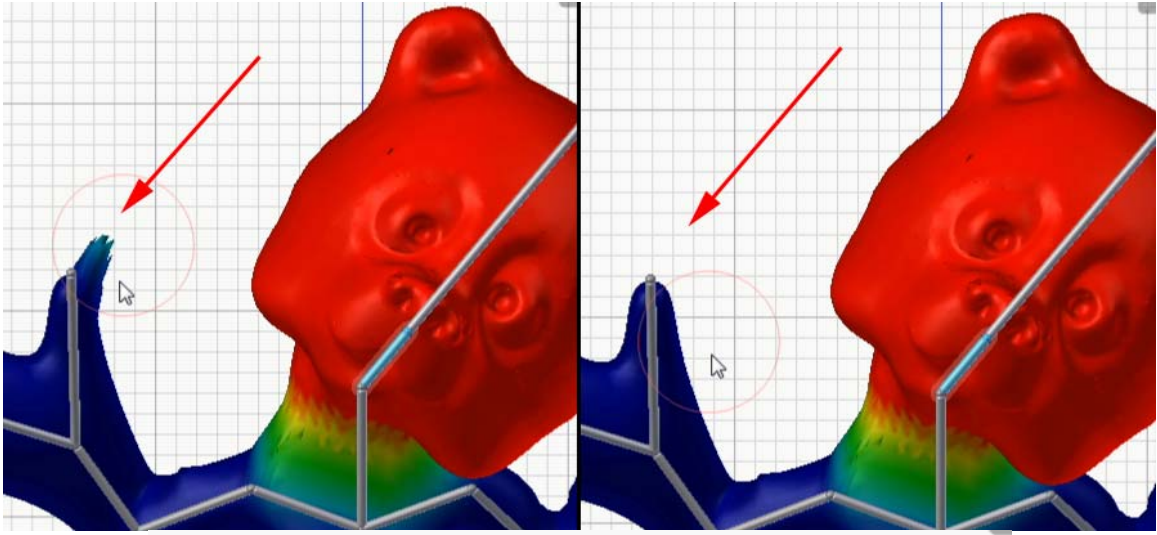
Names Colors

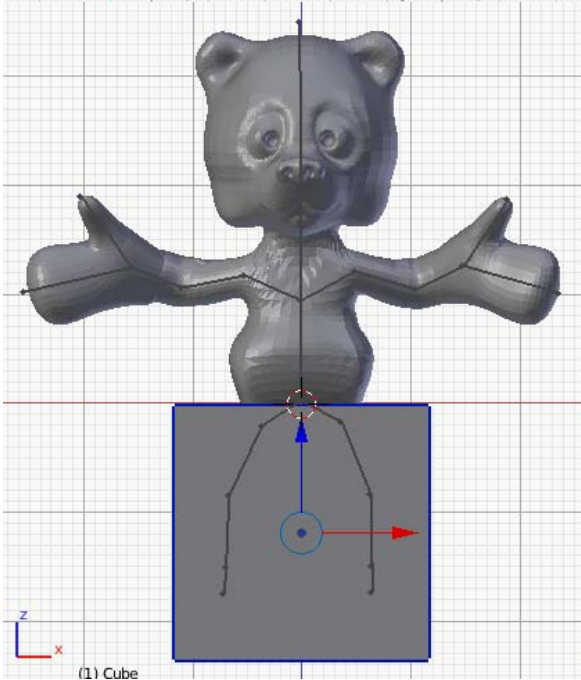
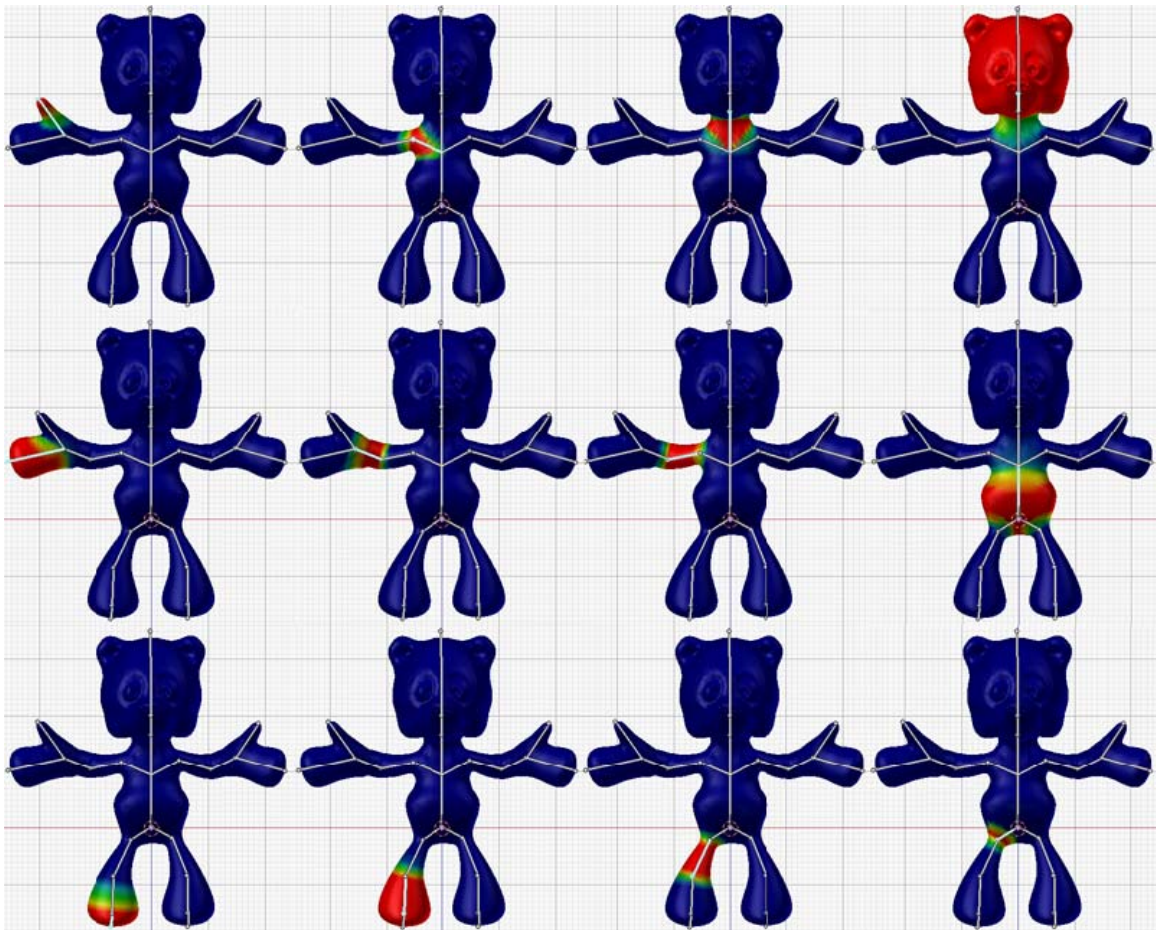
Axes X-Ray

Shapes Delay Refr

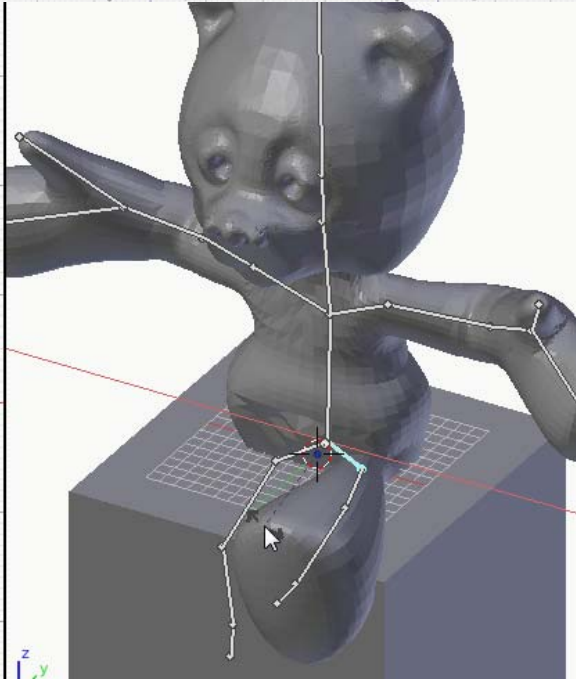
View Select Pose Pose Mode Global

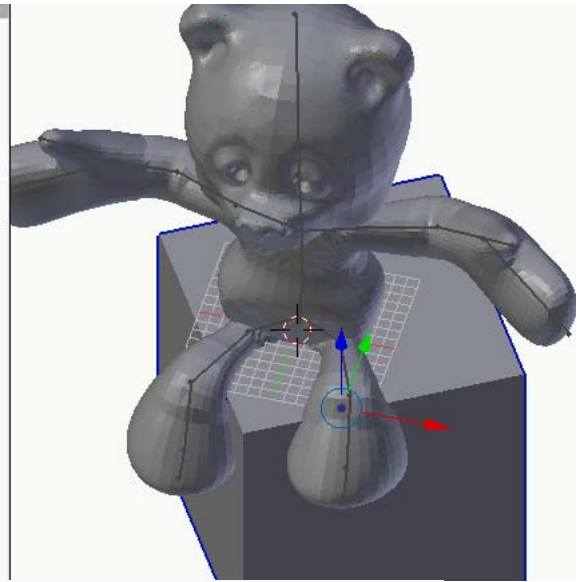
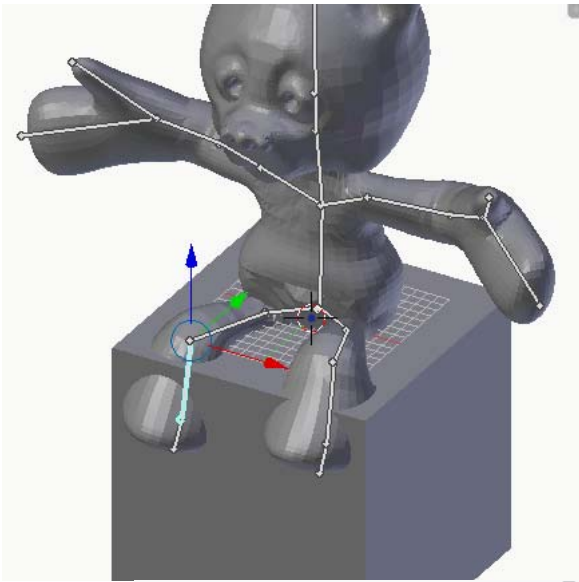




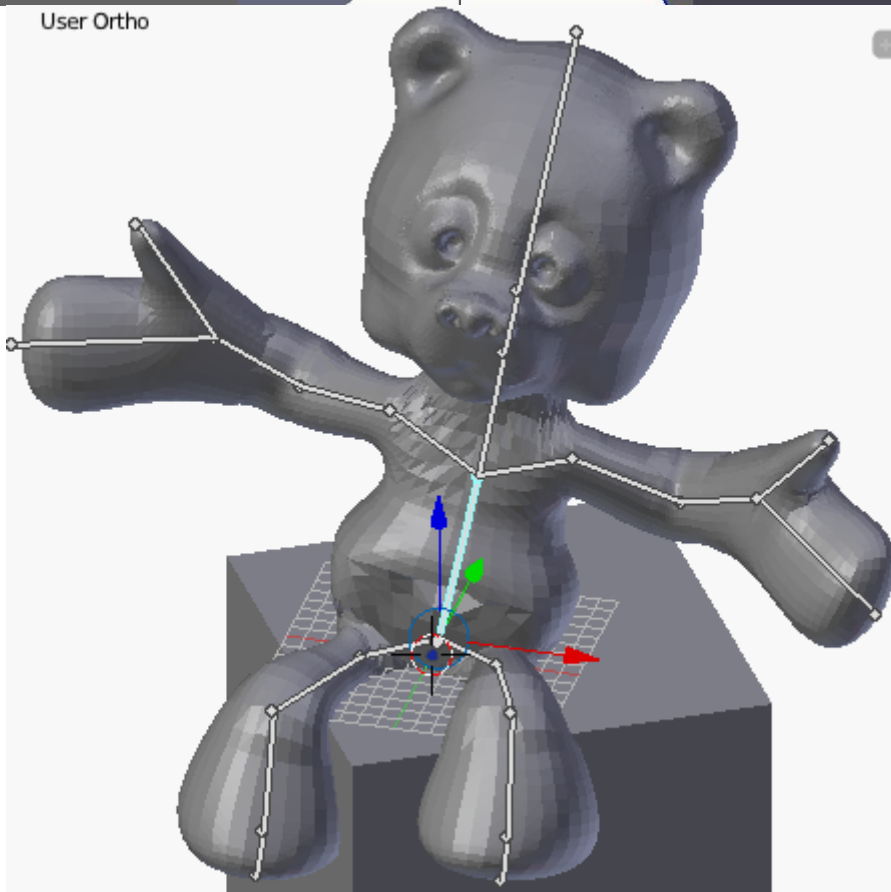


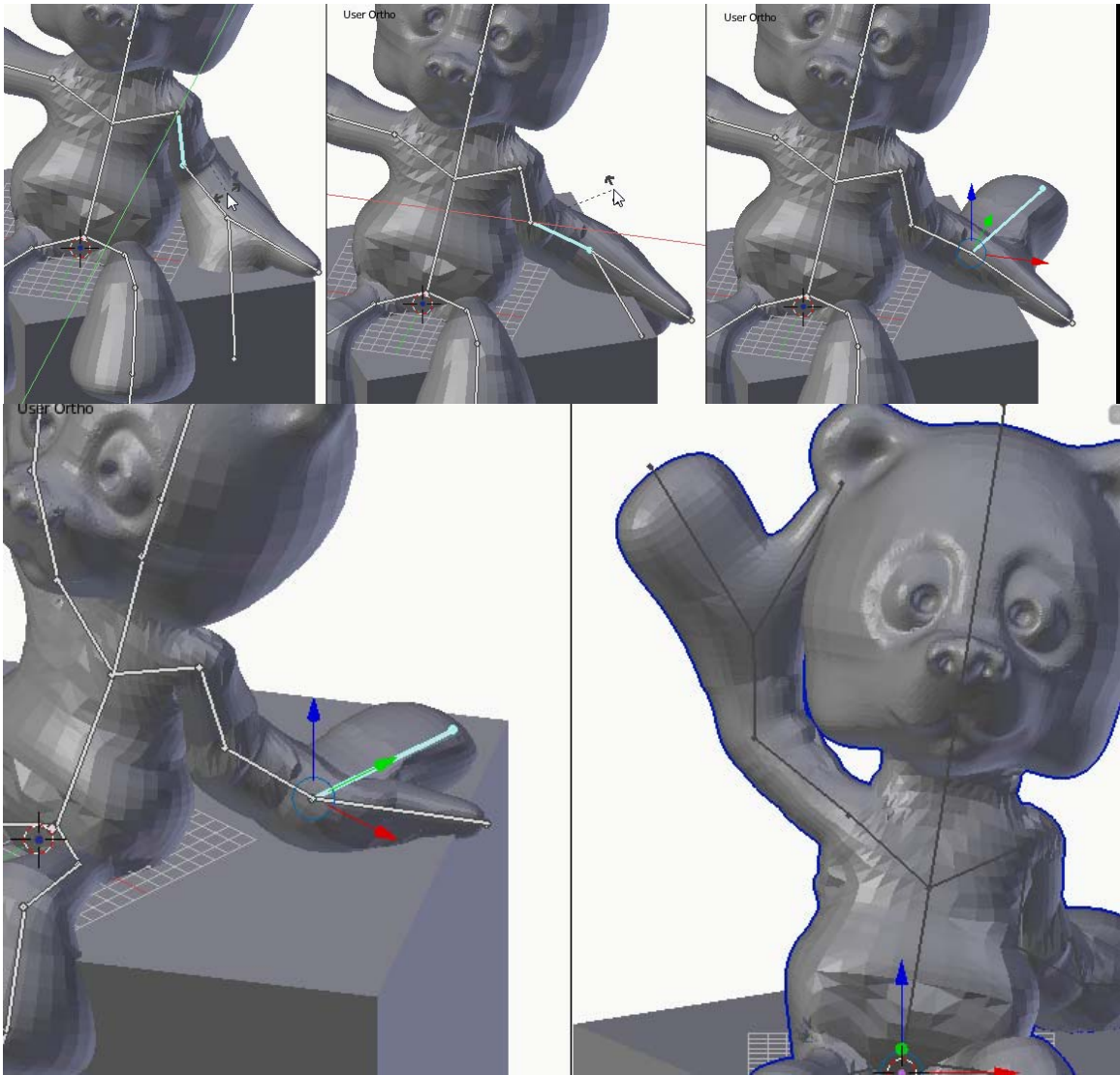
(1) Cube

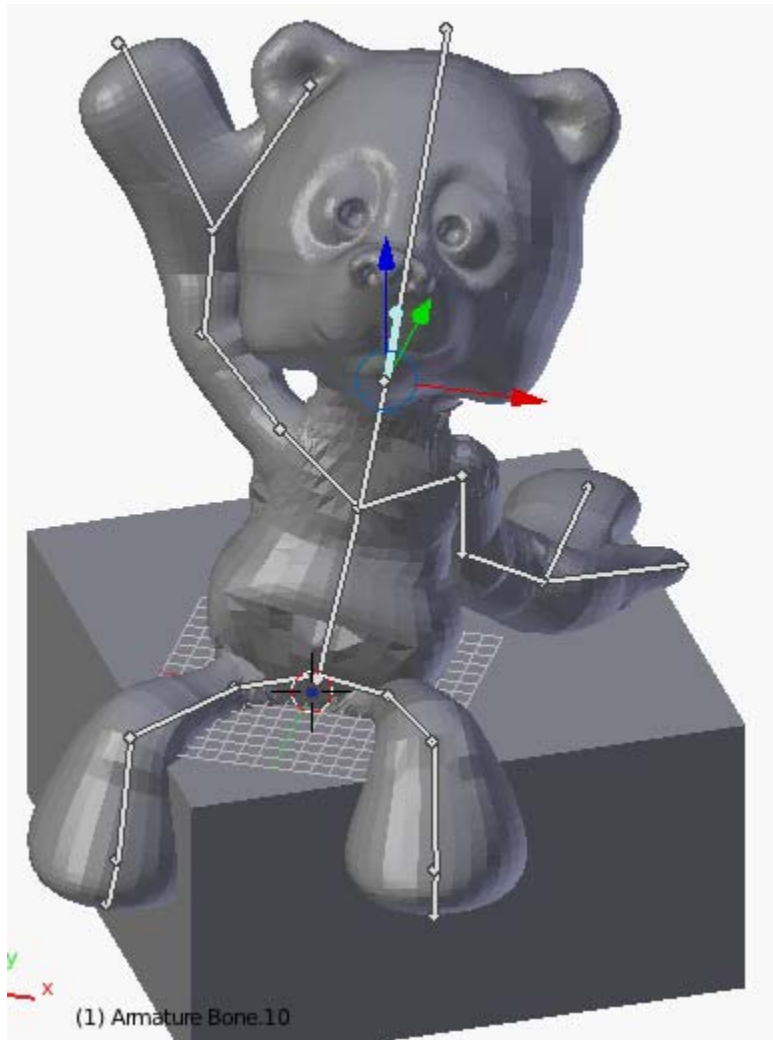




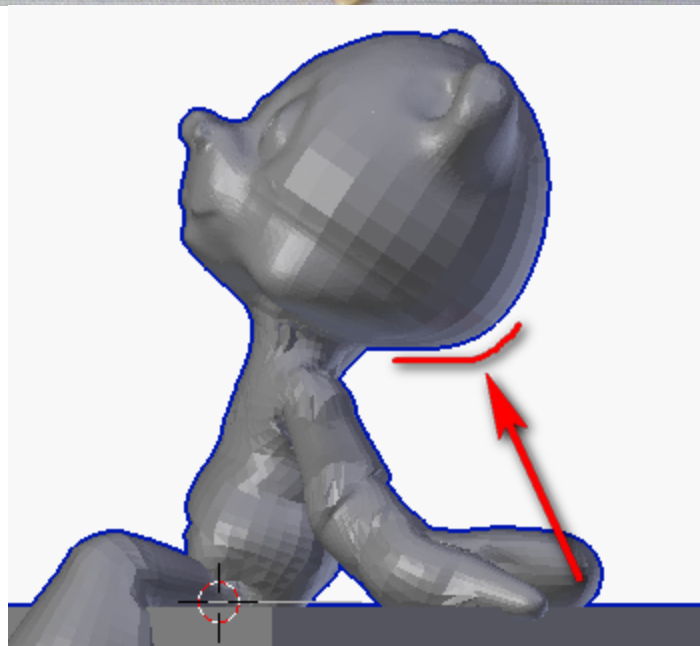
User Ortho

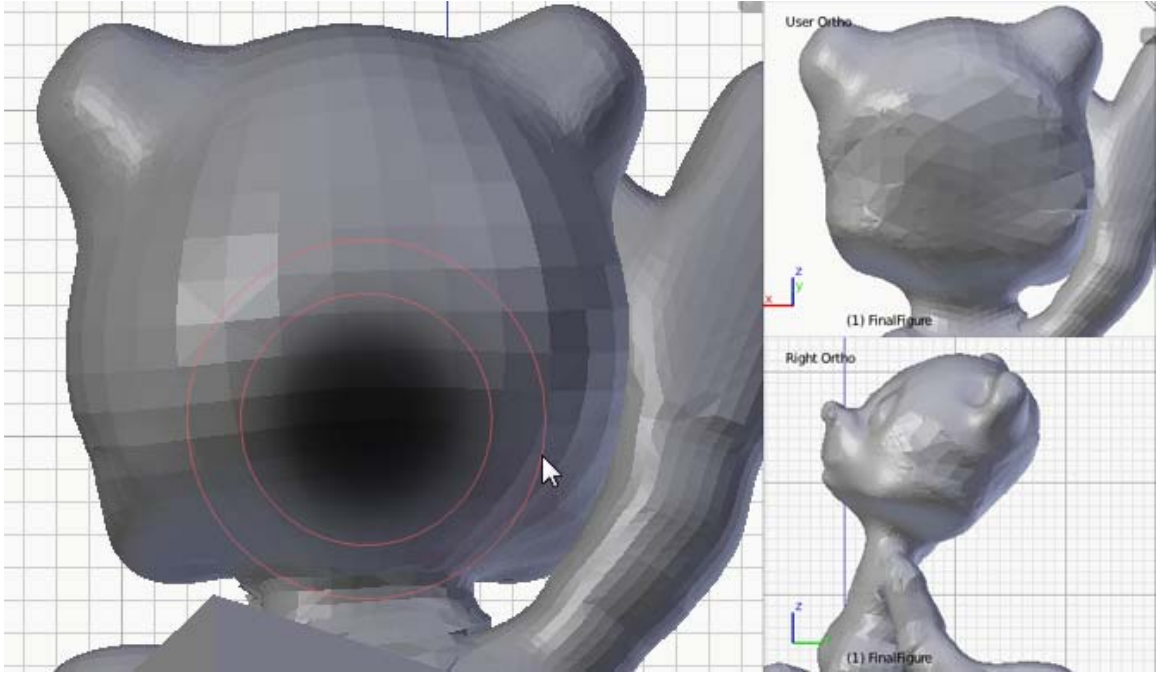




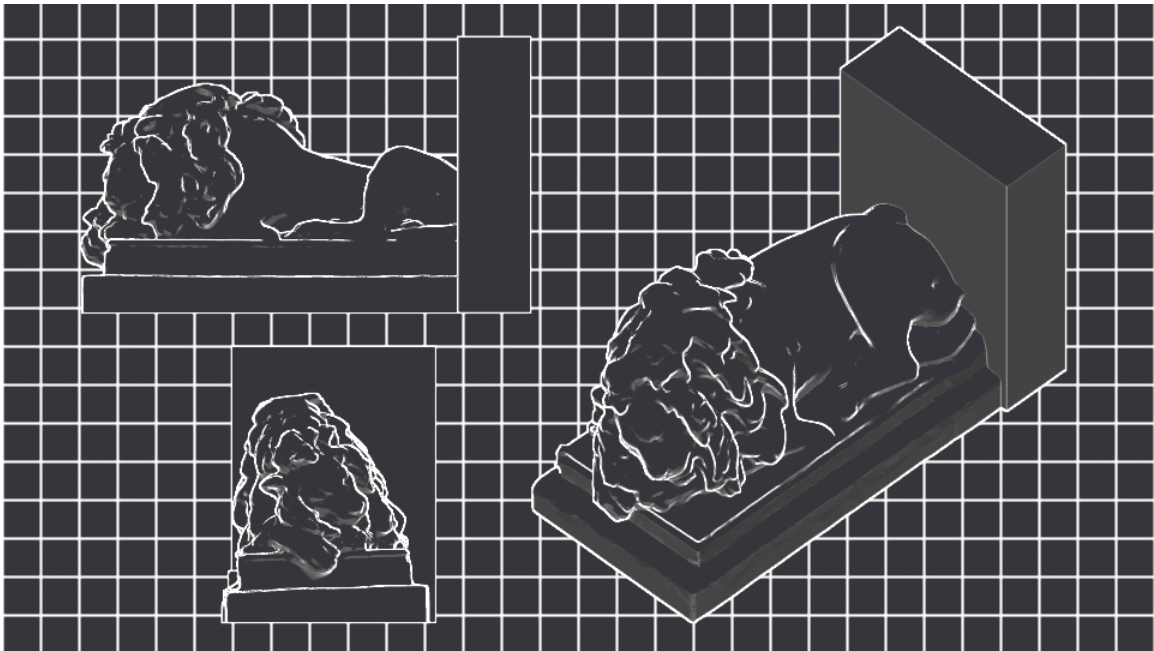


(1) Armature Bone.10

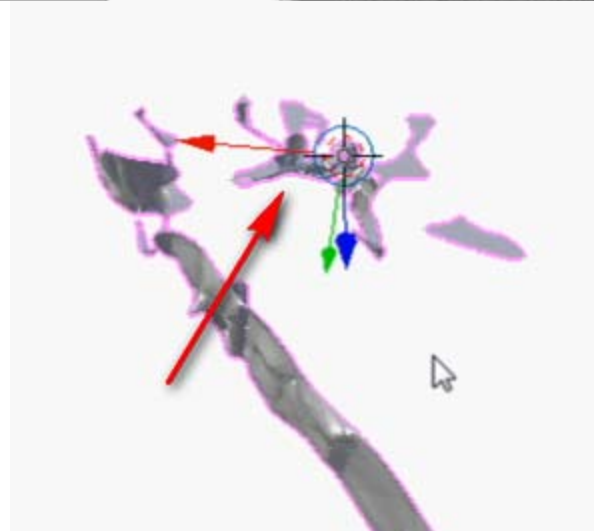
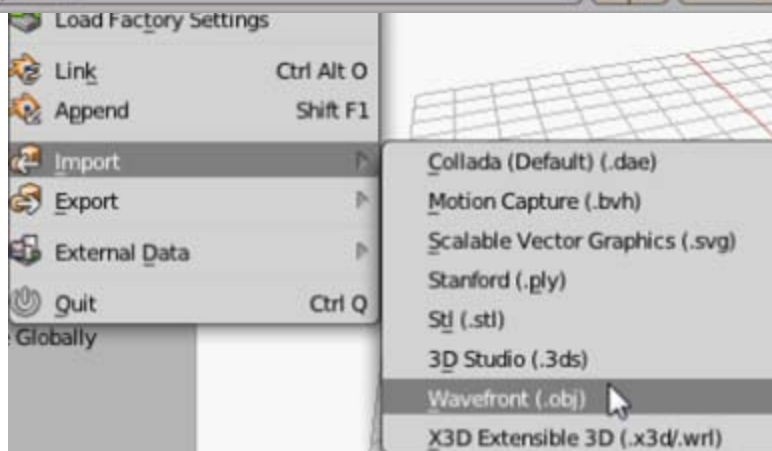
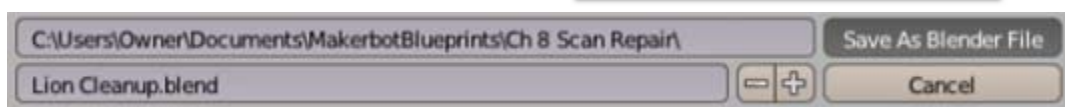
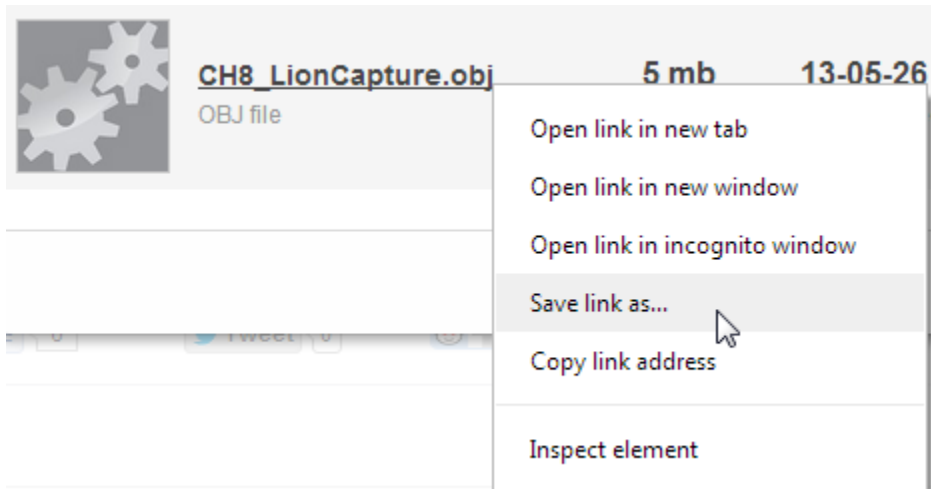


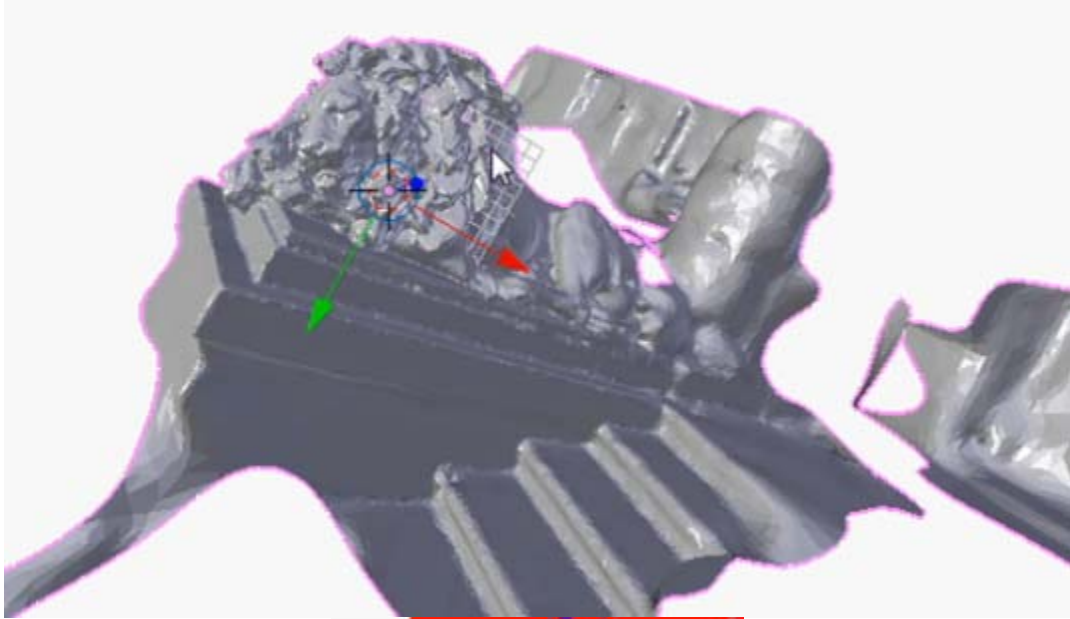


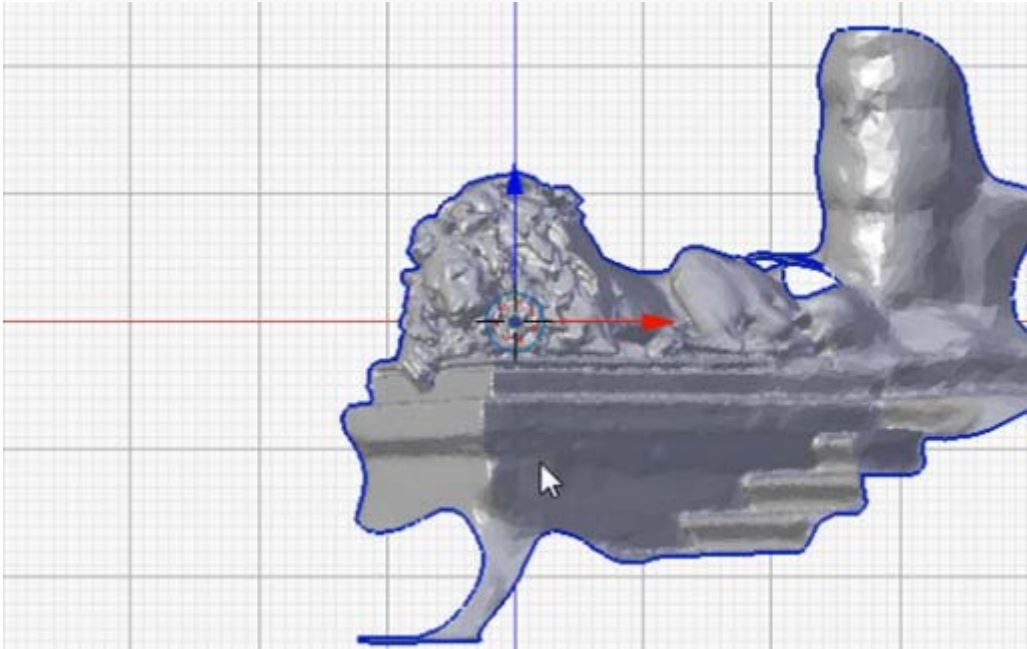
Chapter 8: Repairing Bad Models

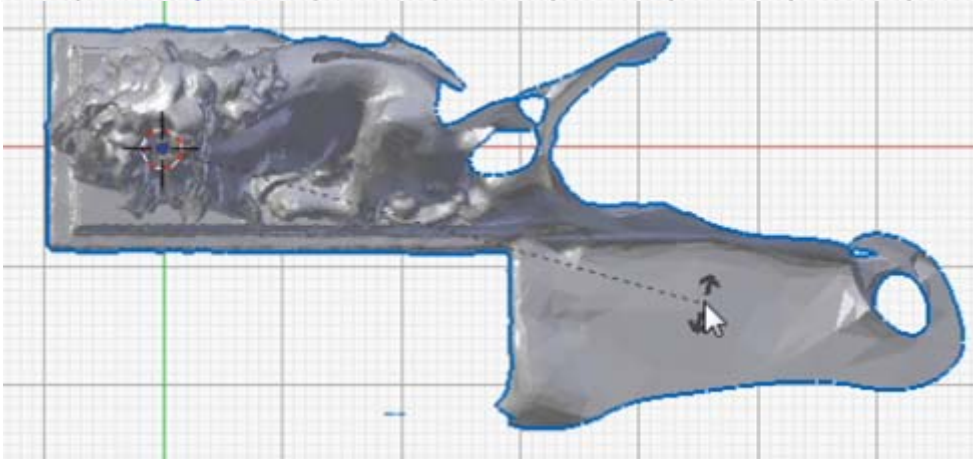
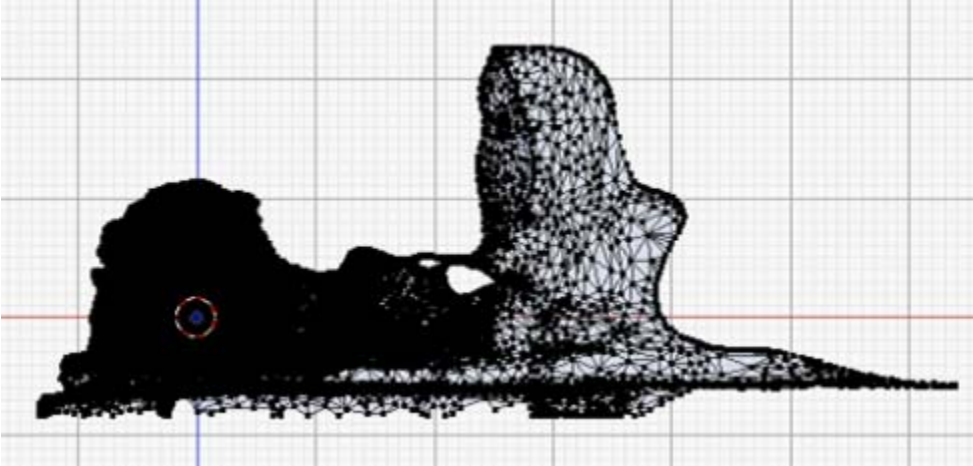
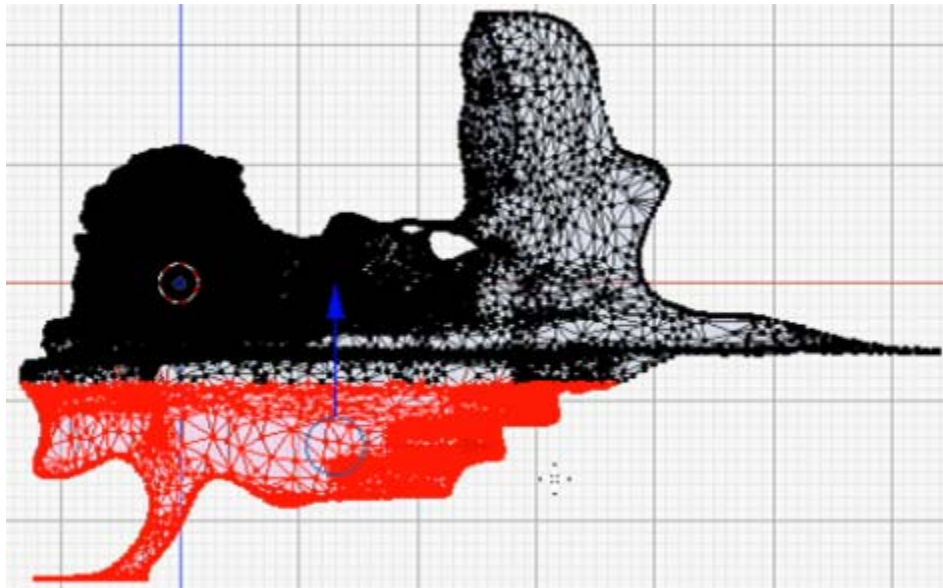


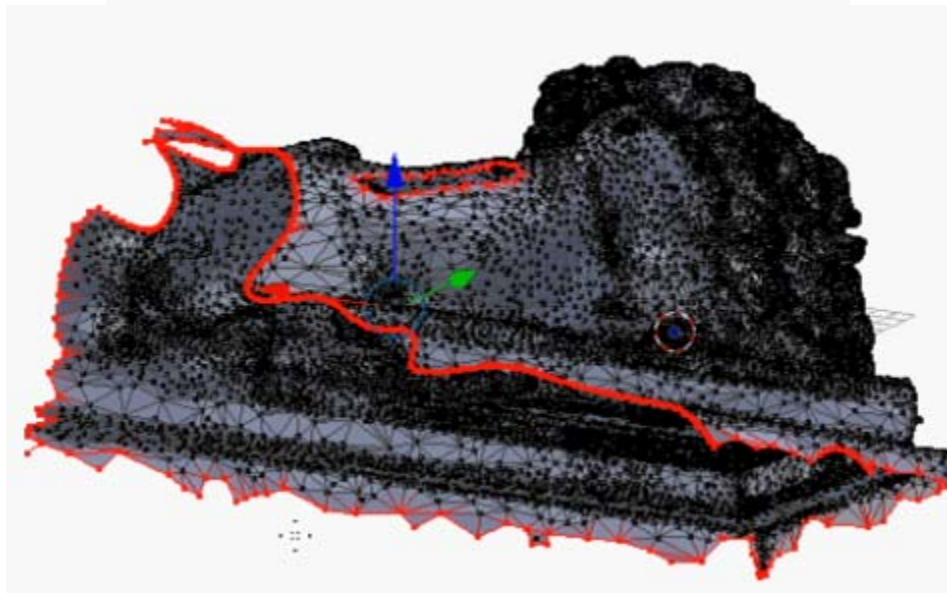
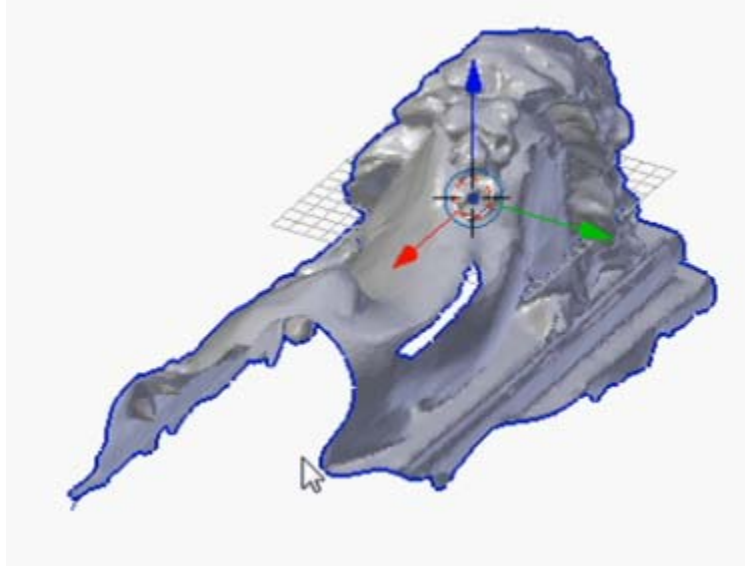
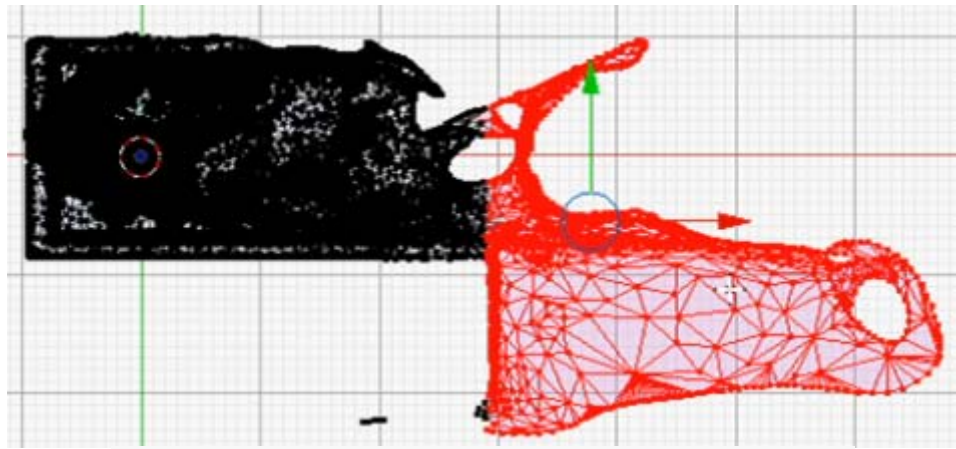
www.thingiverse.com/thing:90754

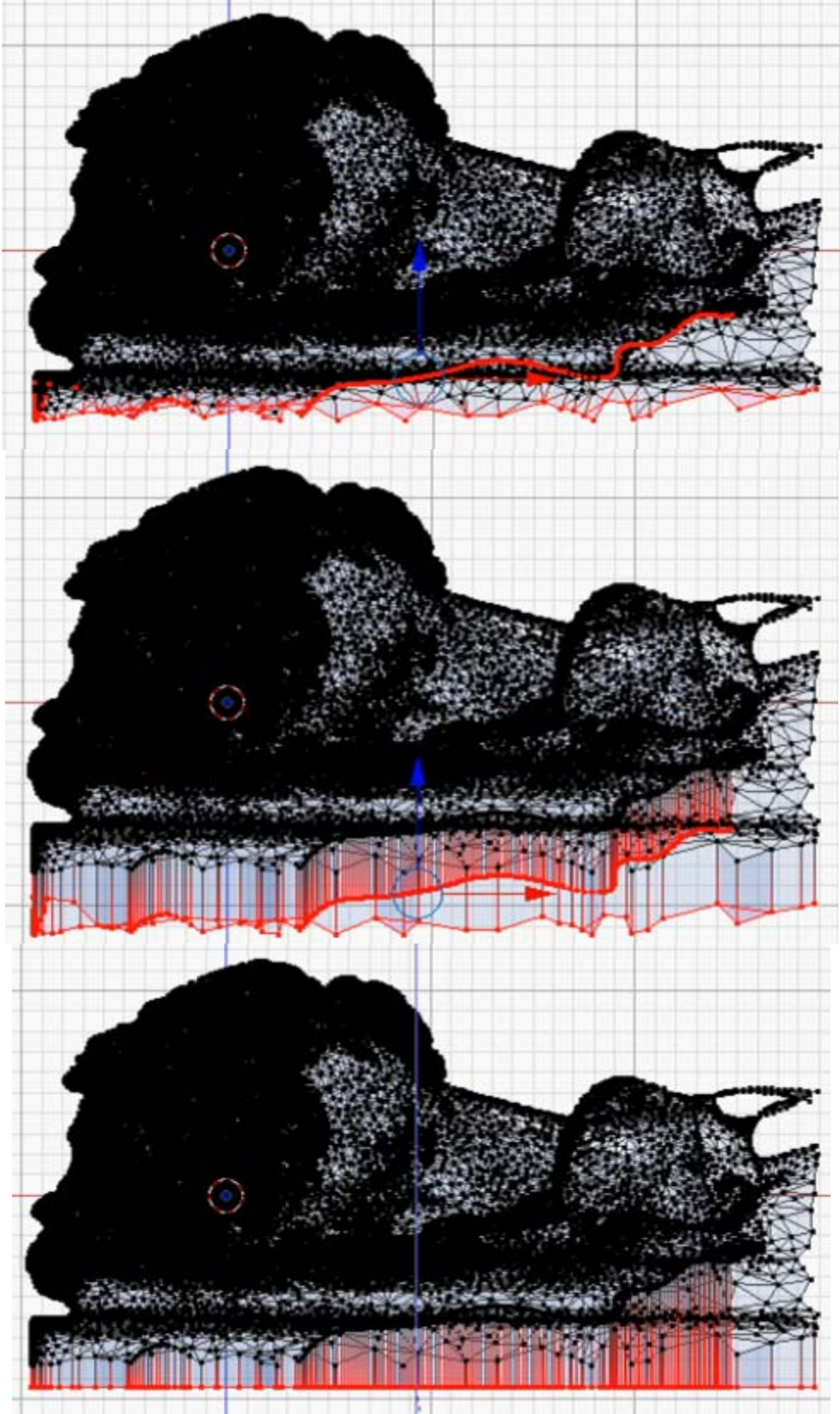


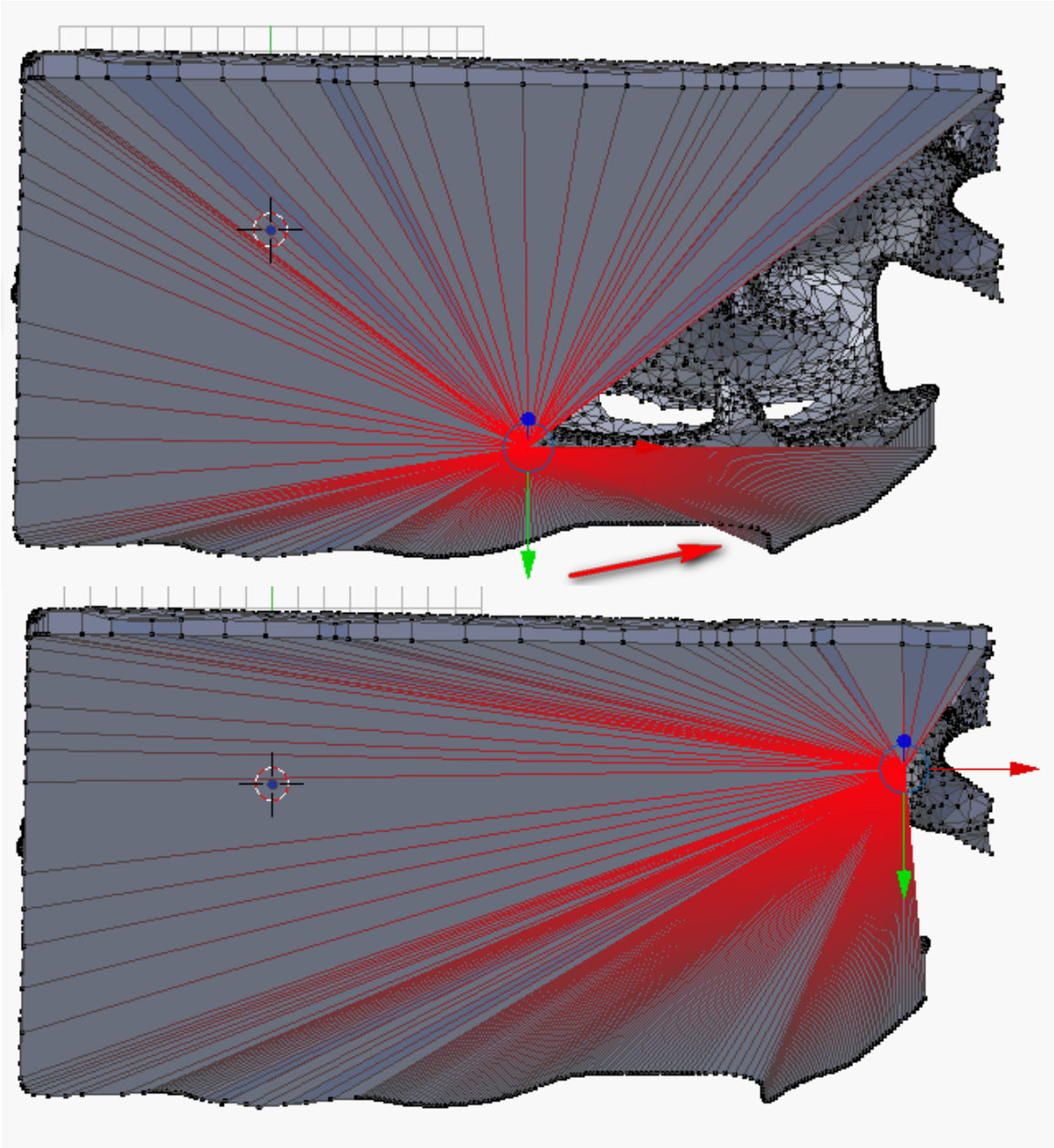


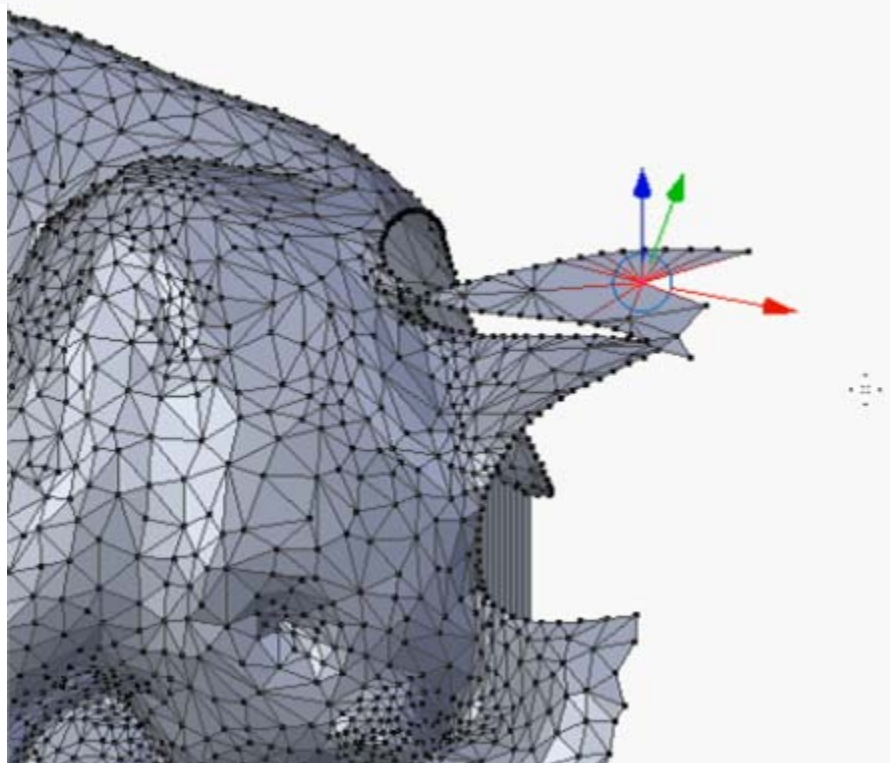
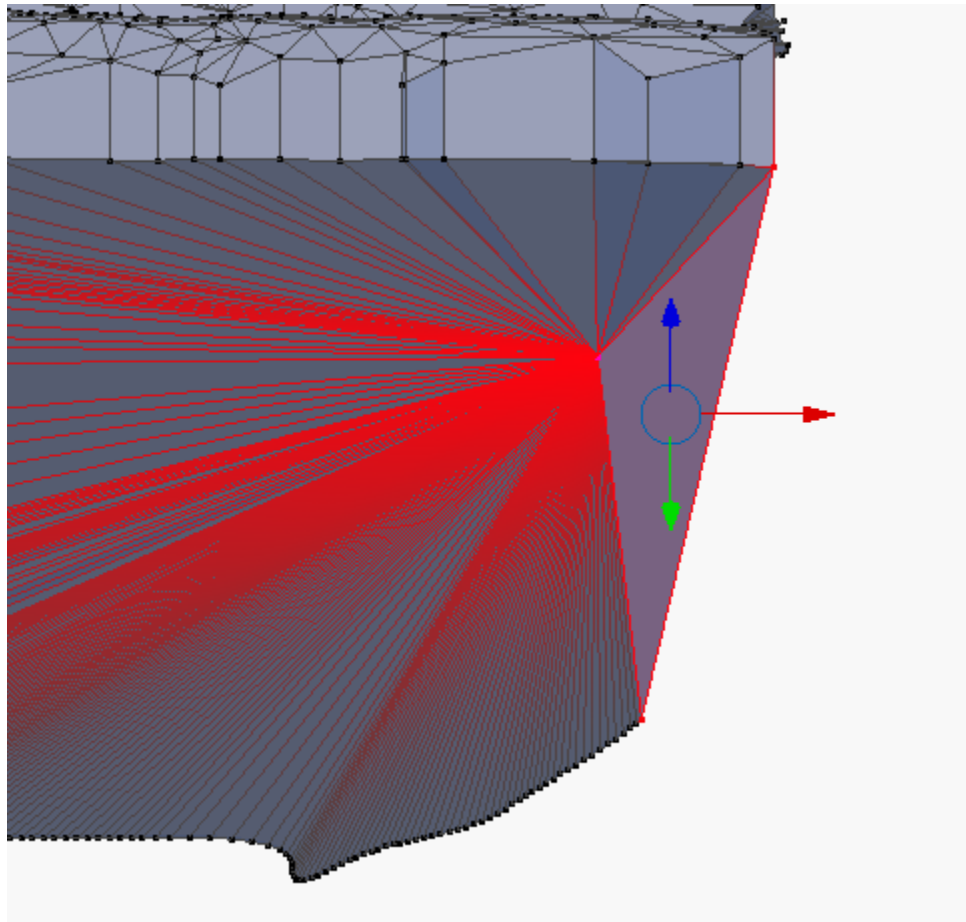


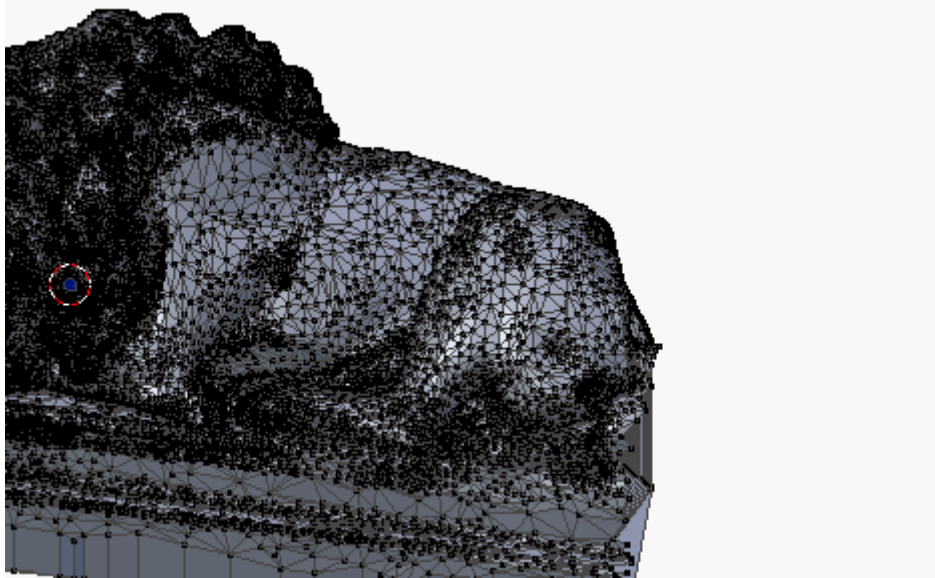
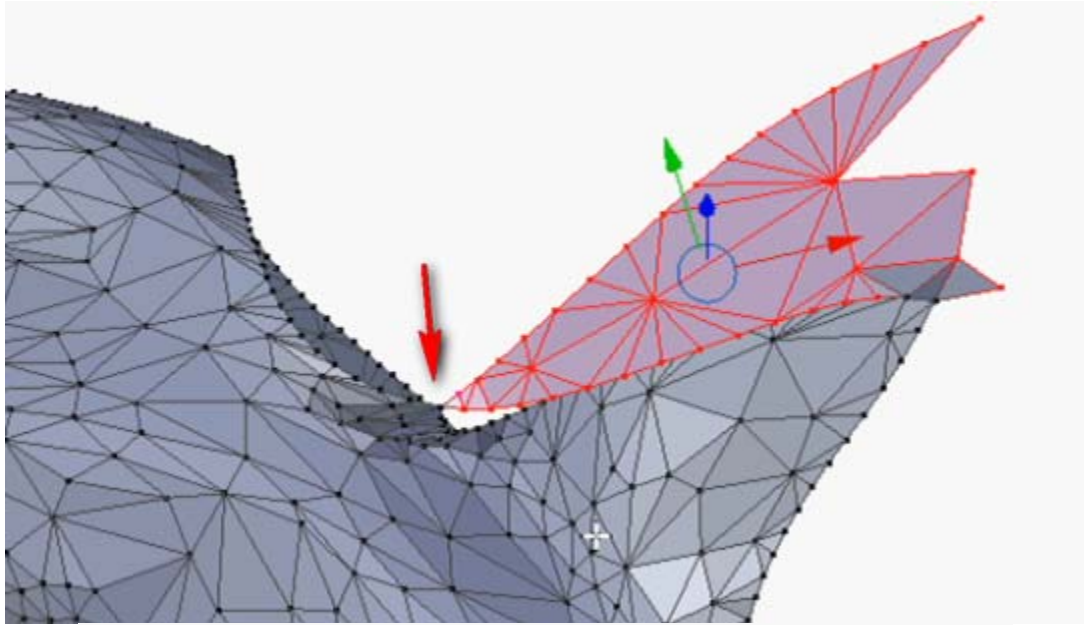


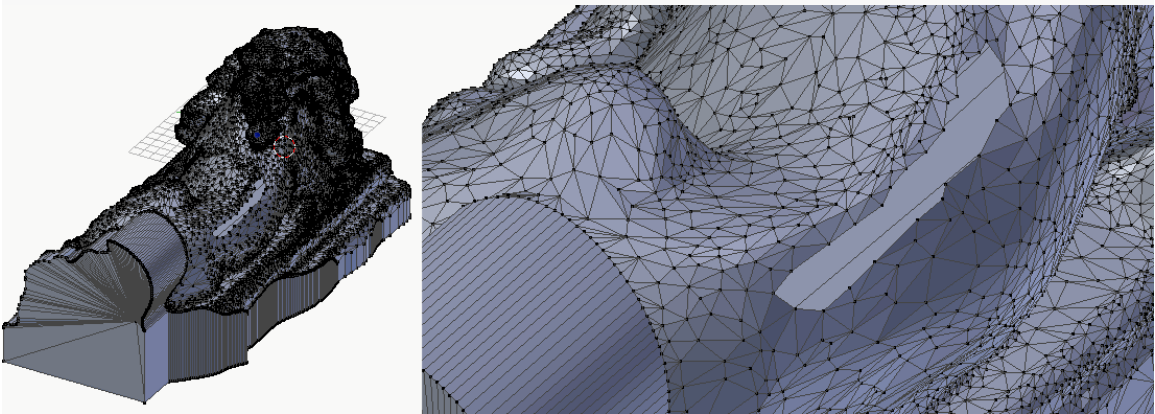
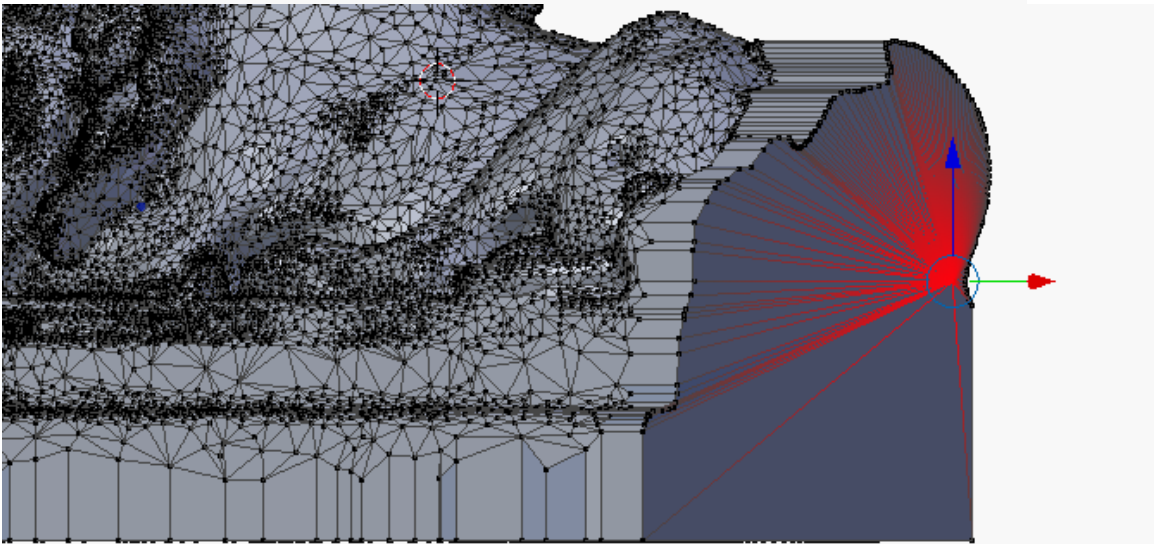
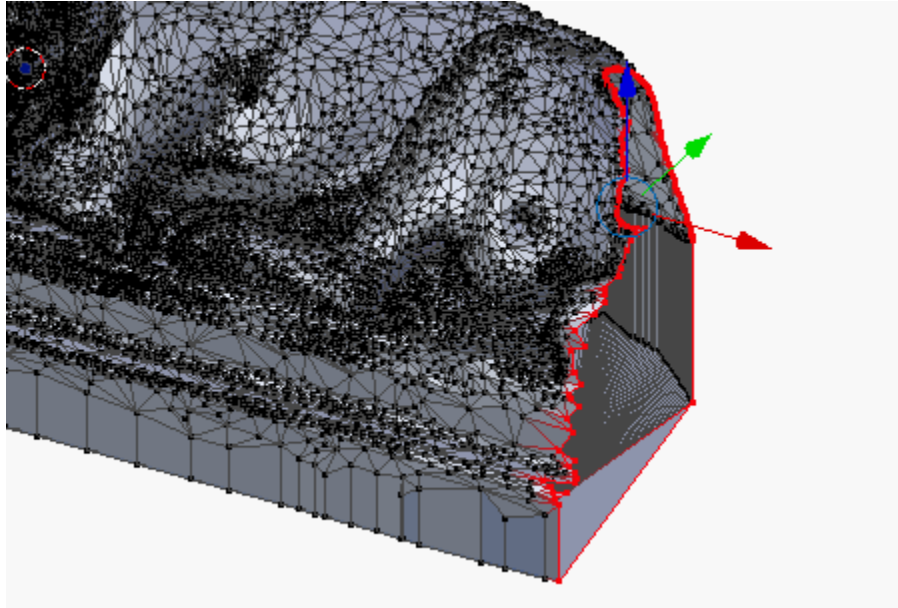


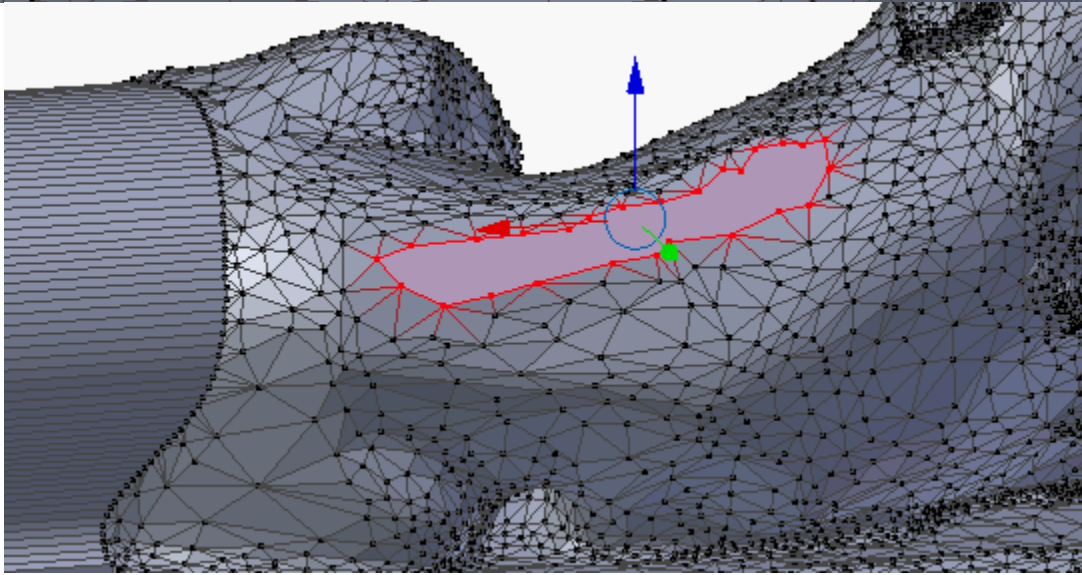
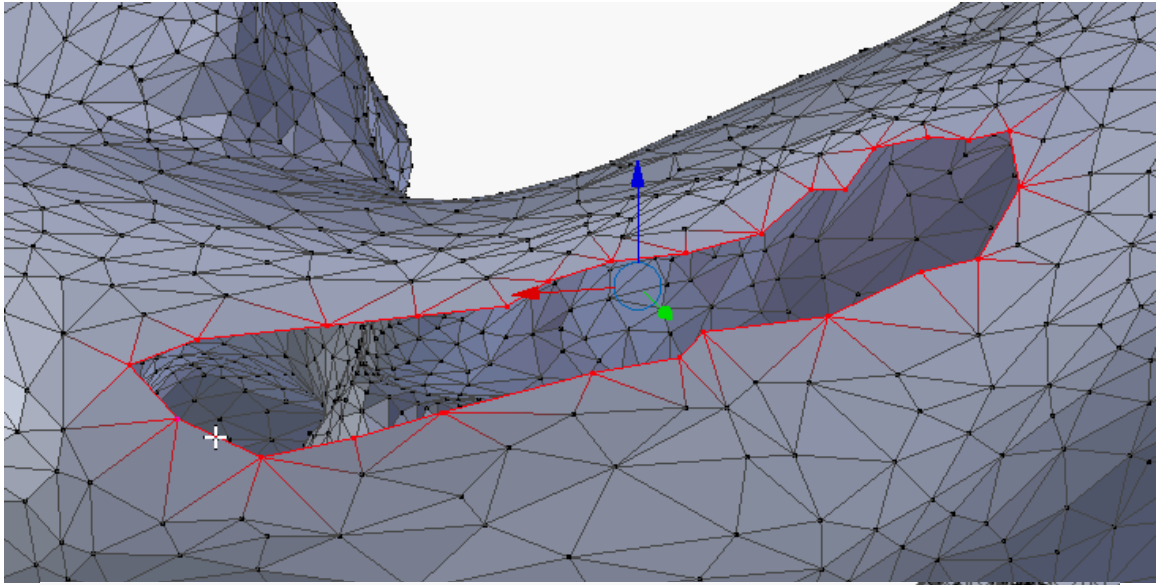


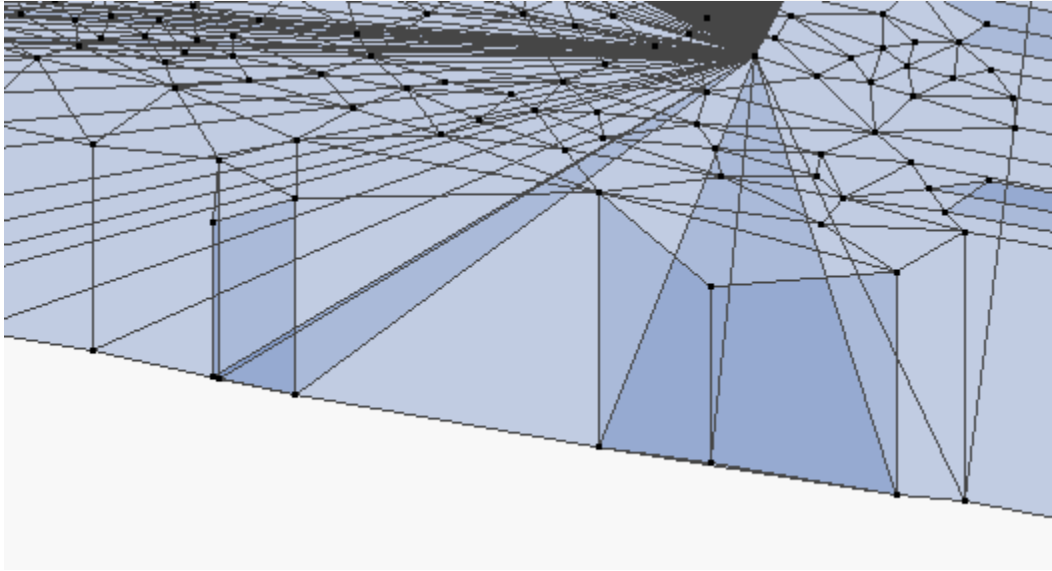
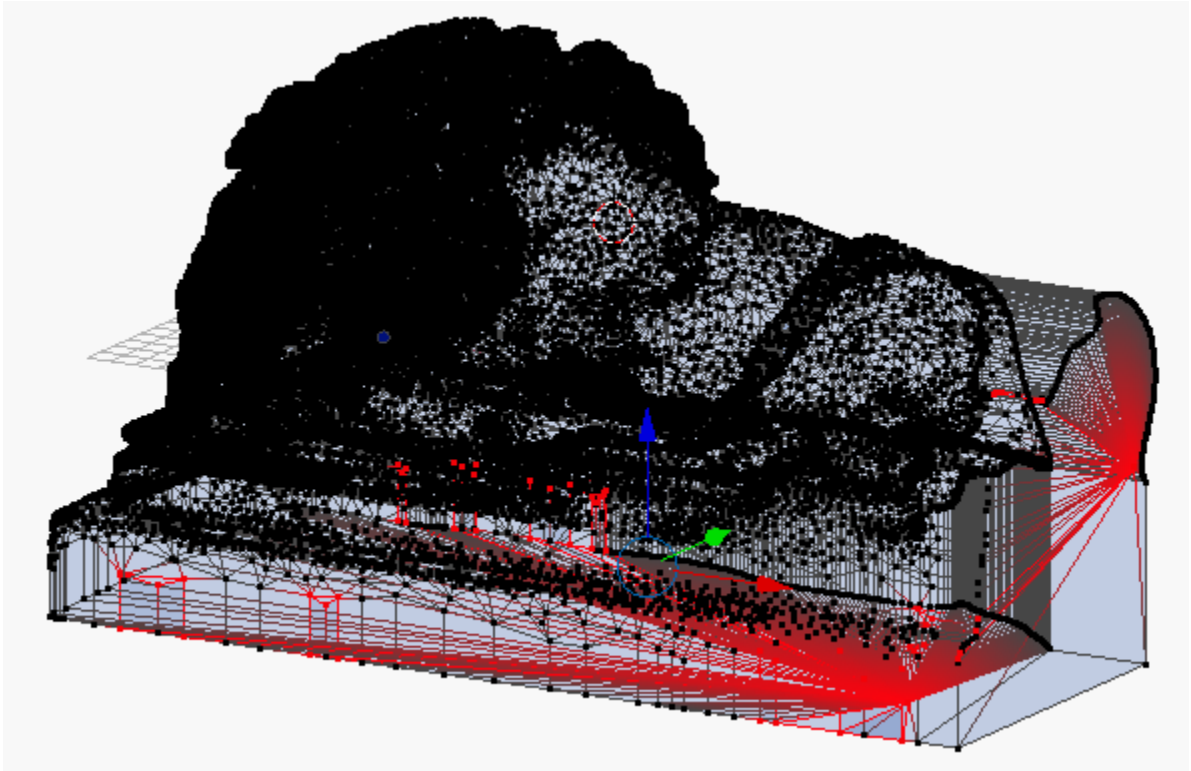


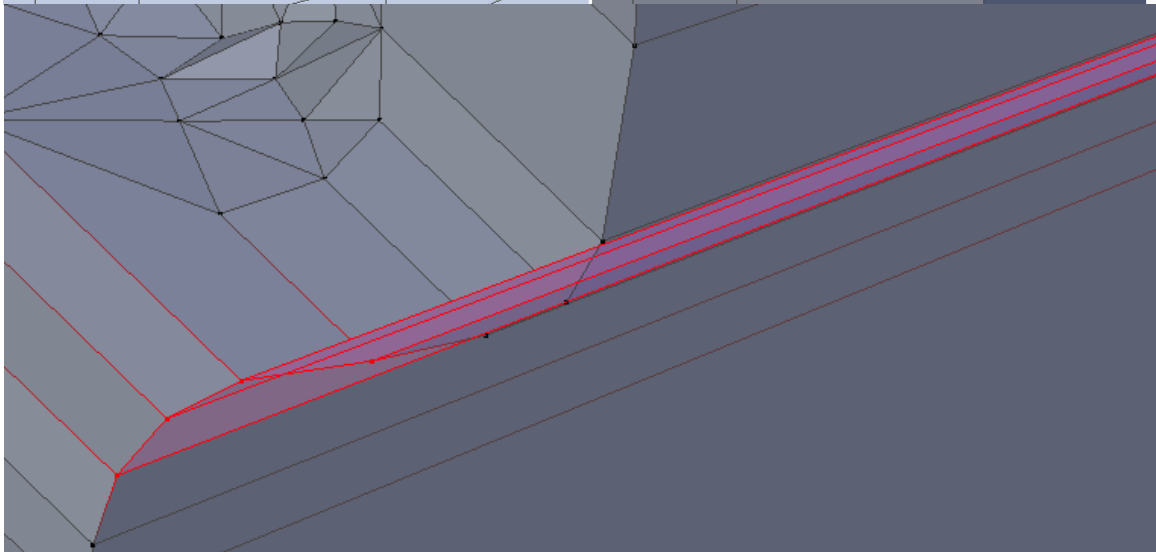
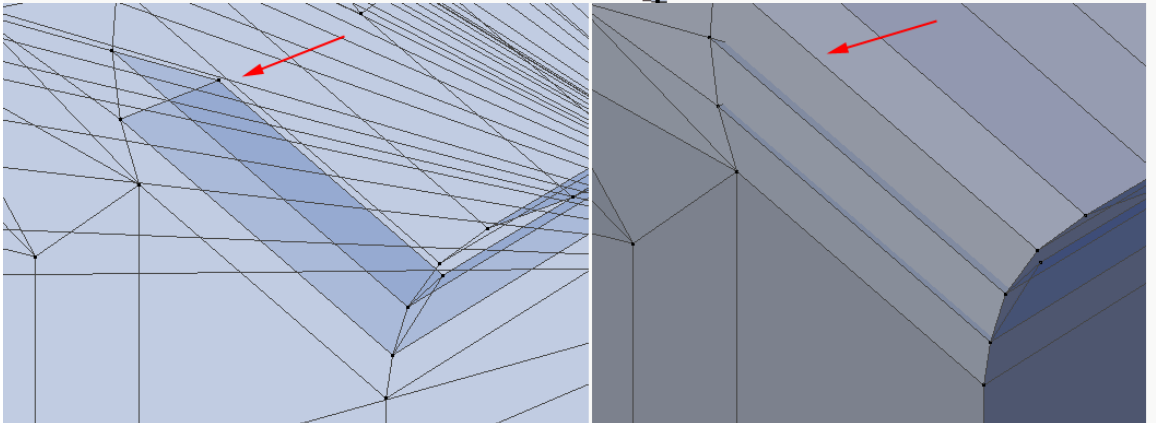
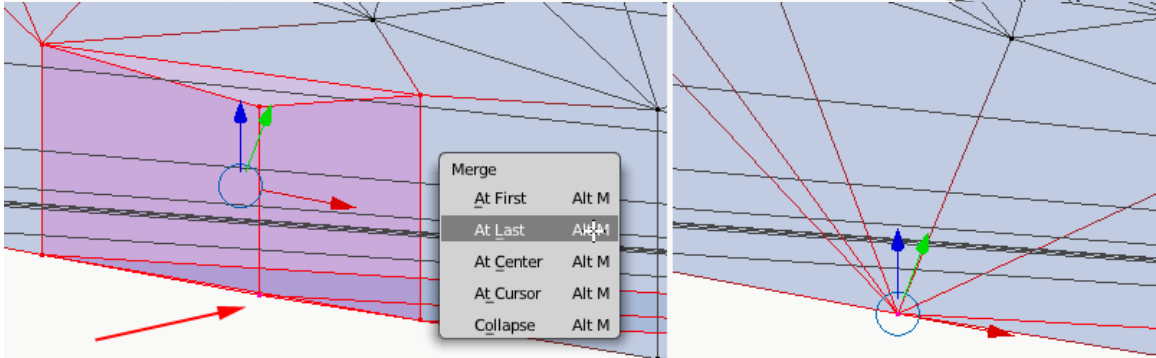
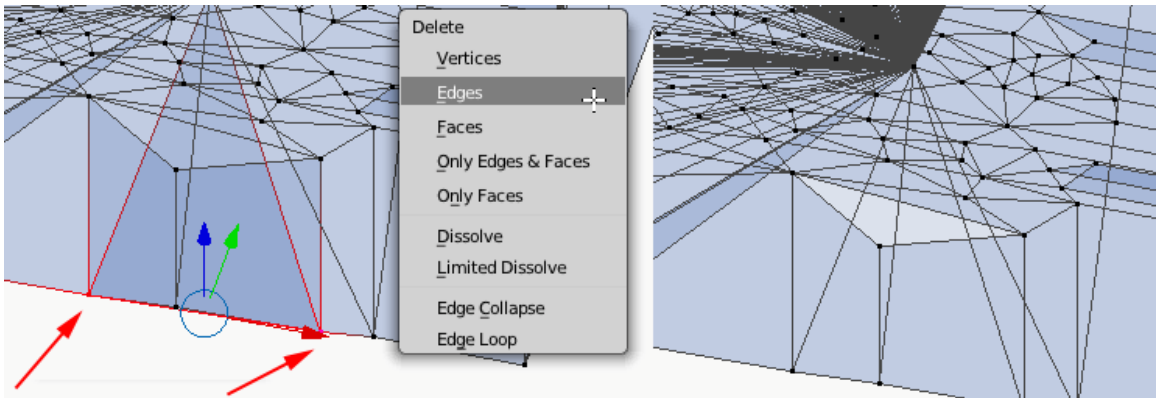


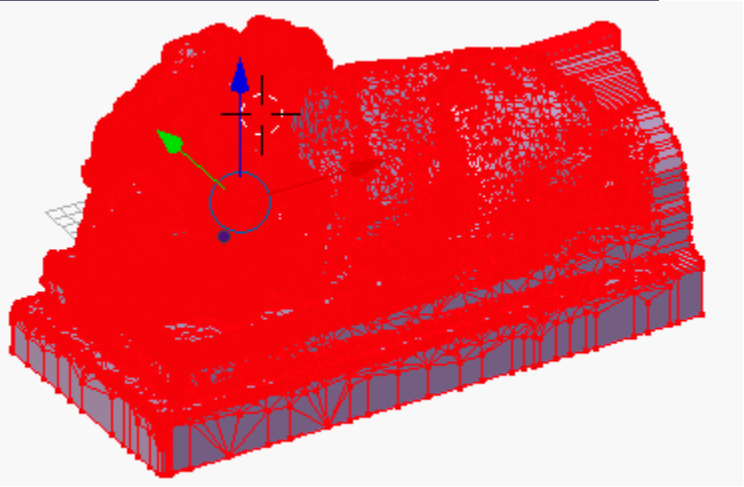
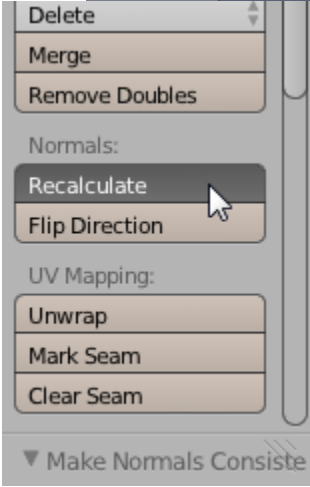
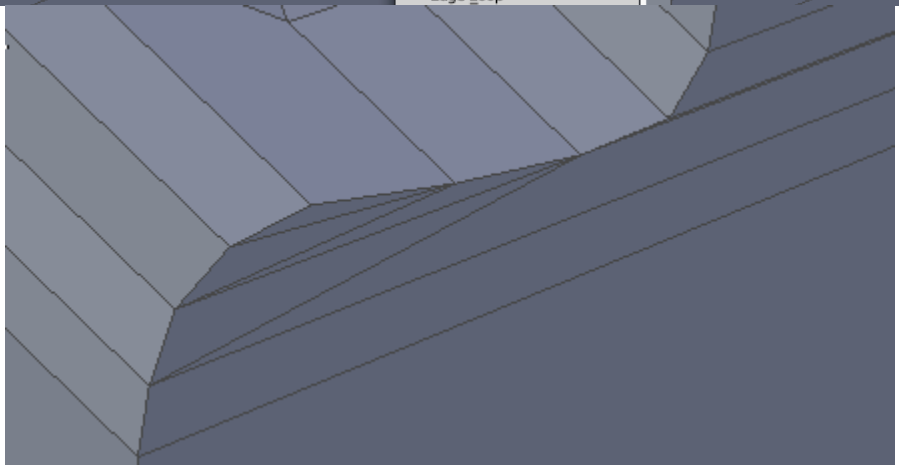
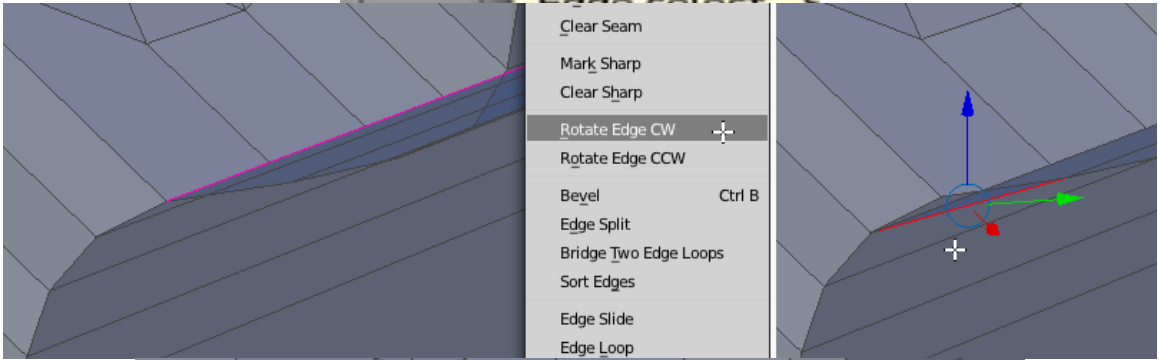


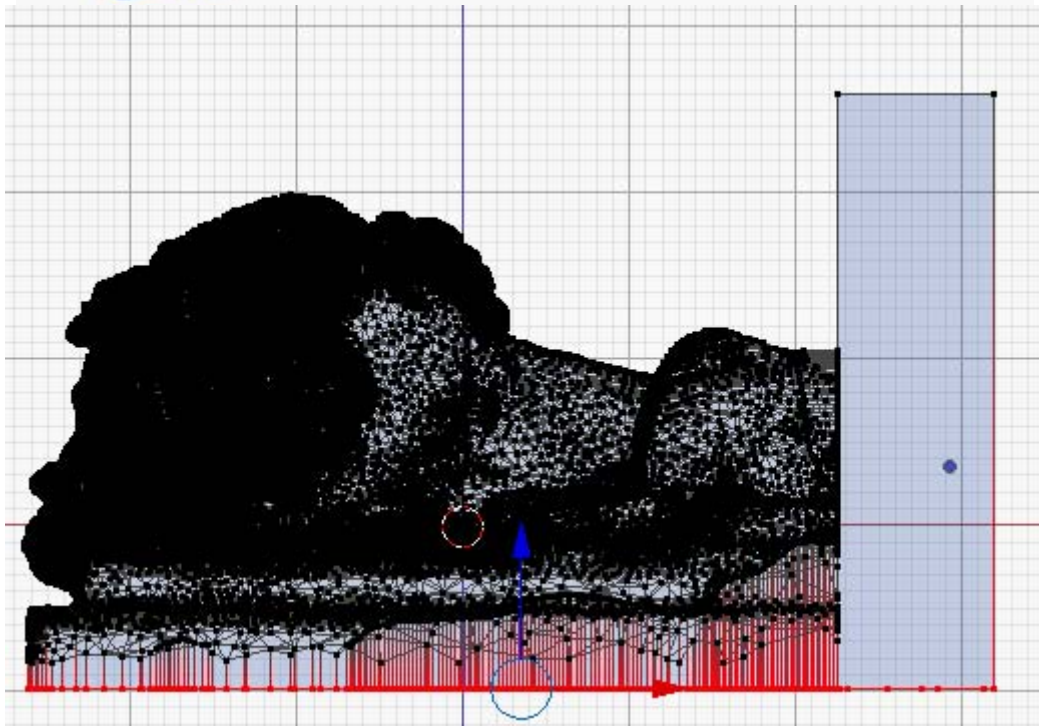
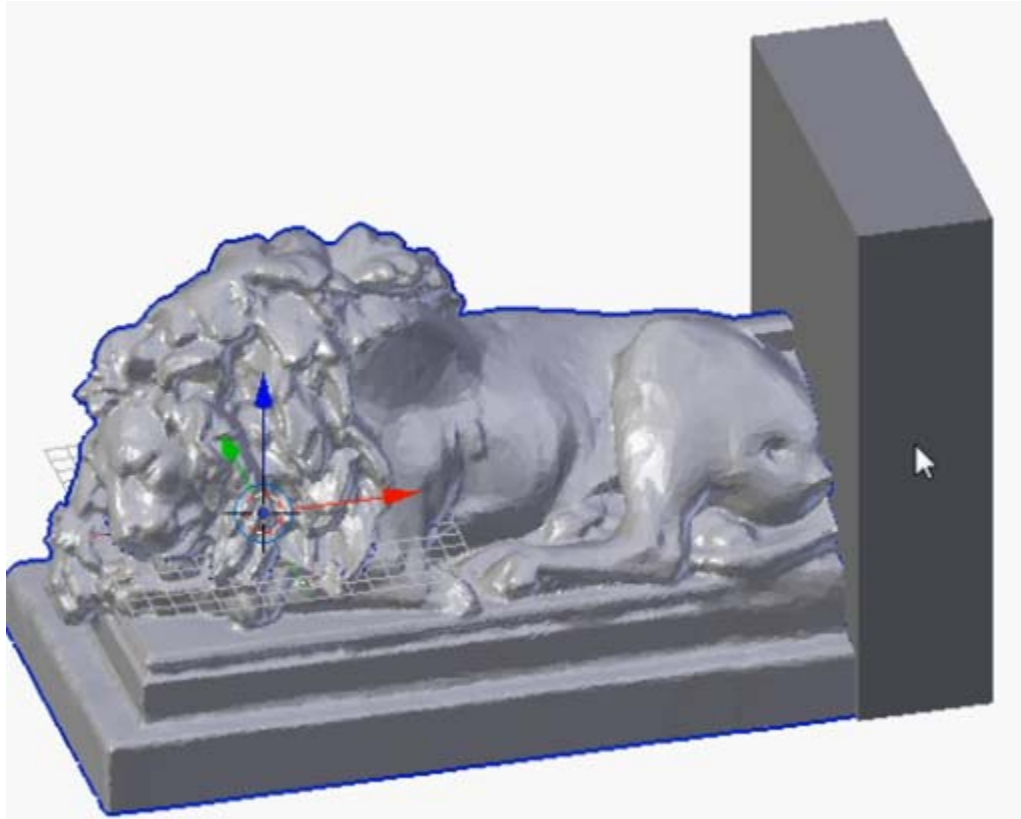


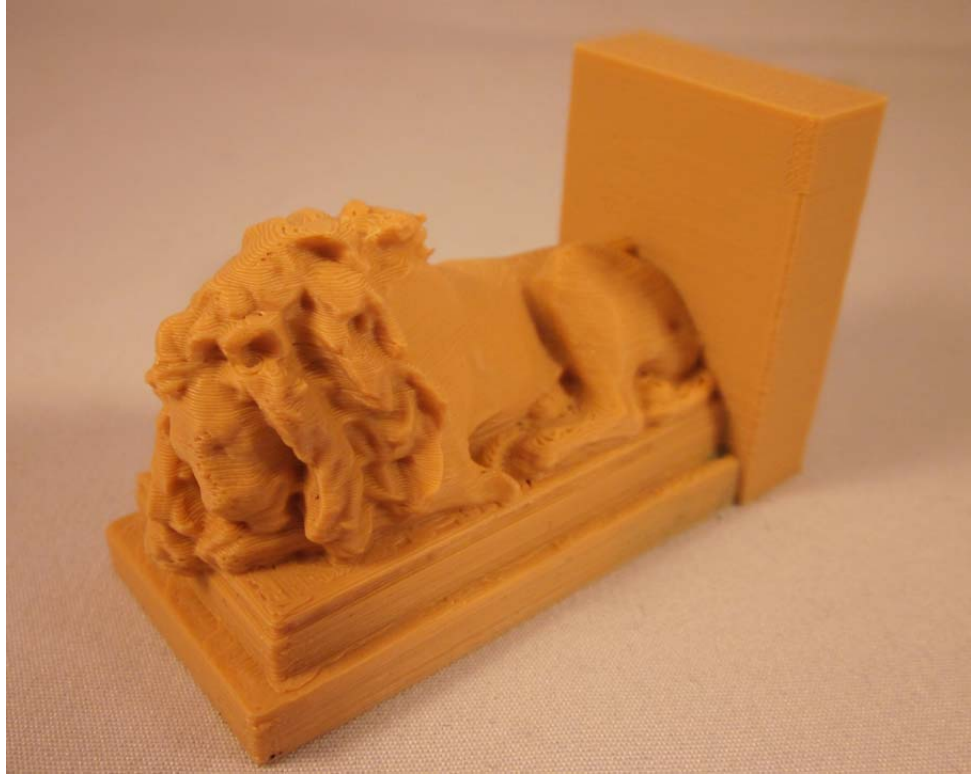




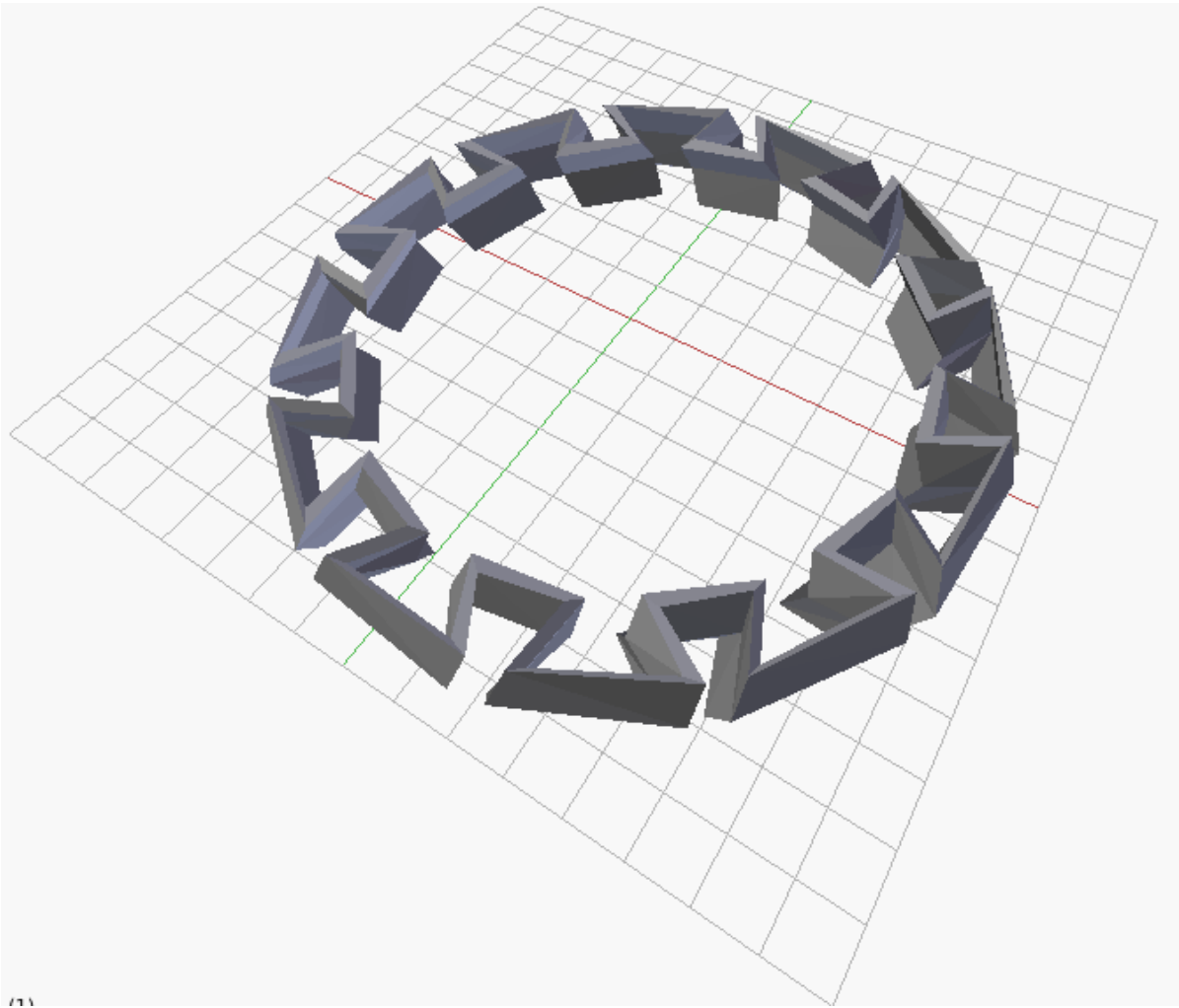




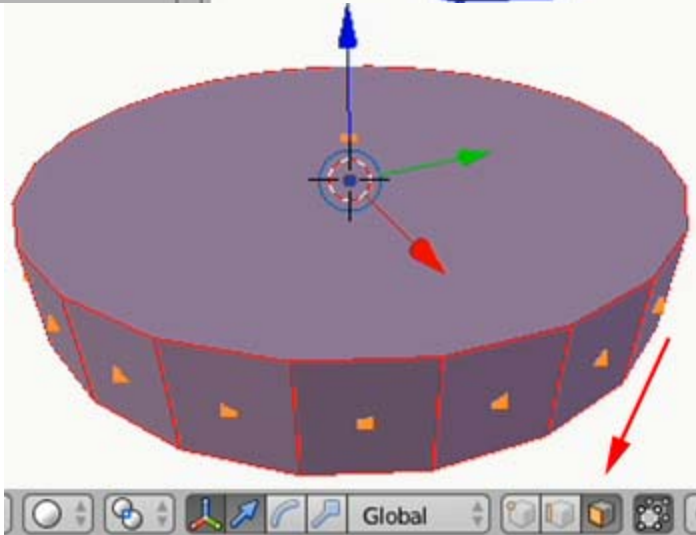
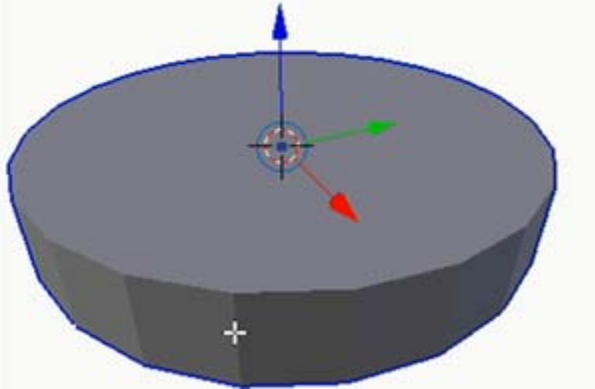
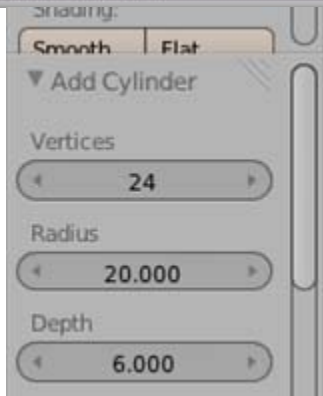
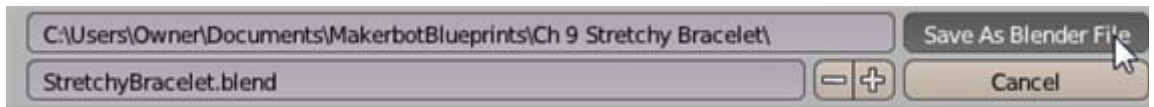
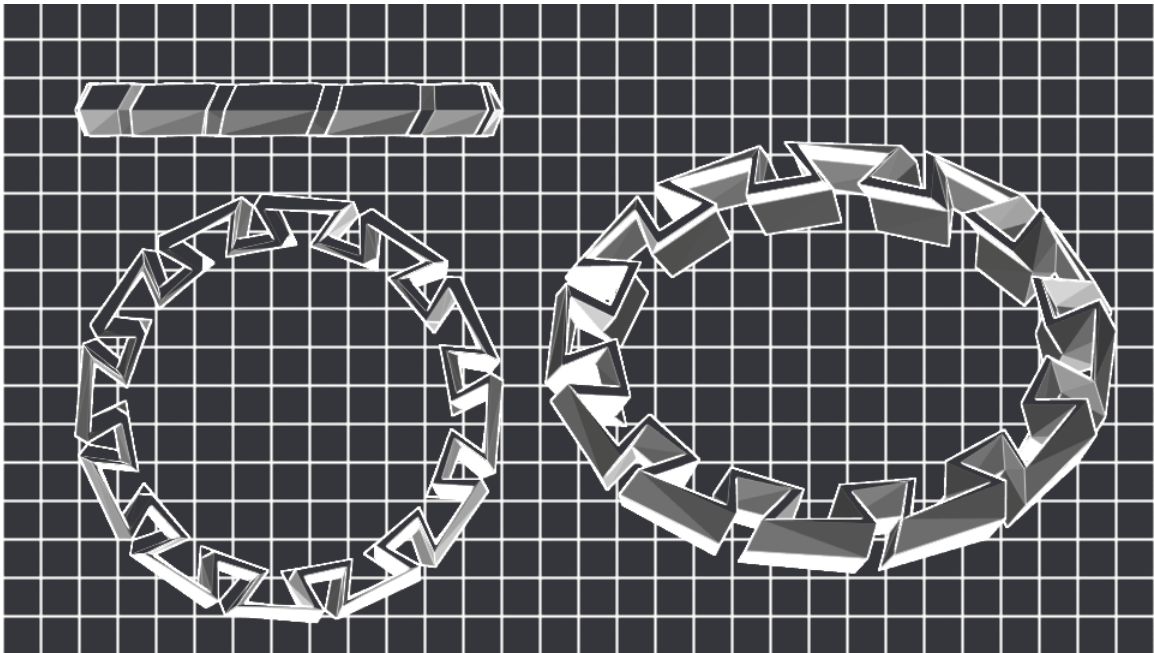


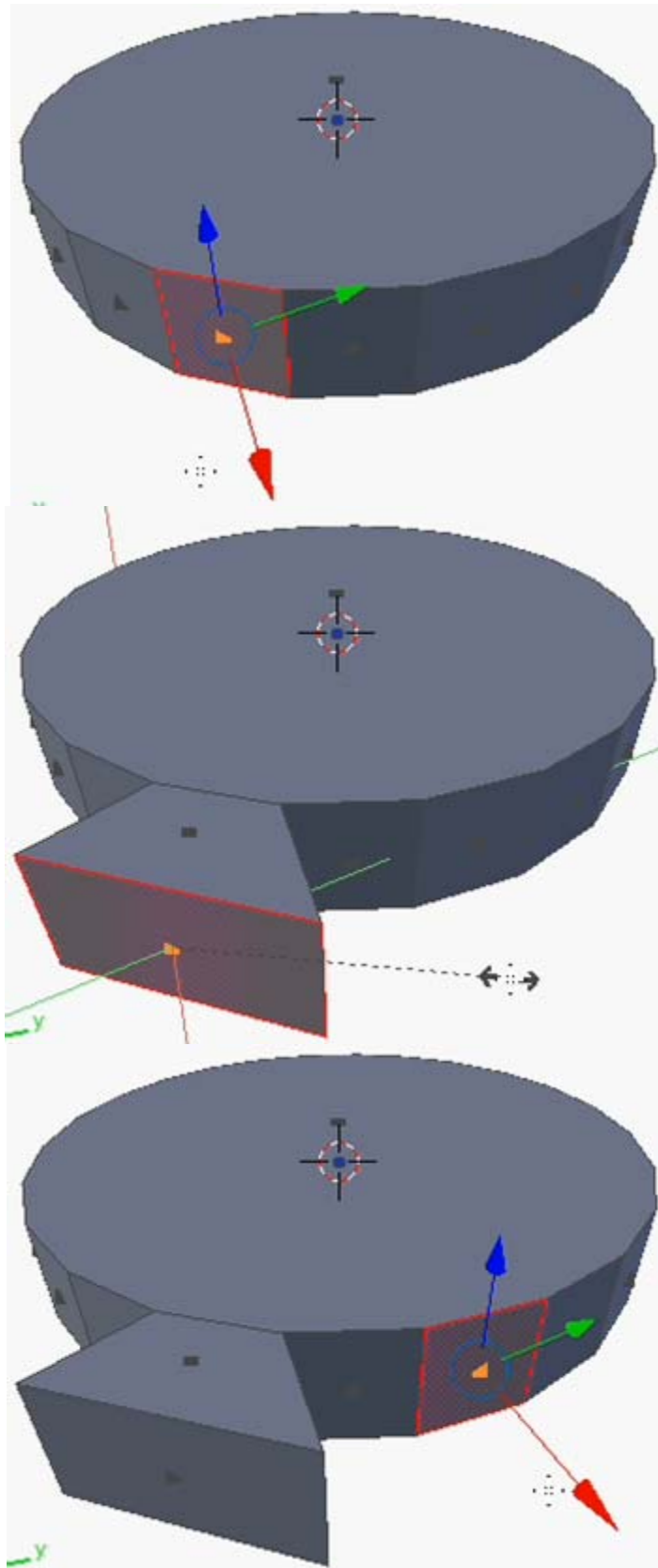


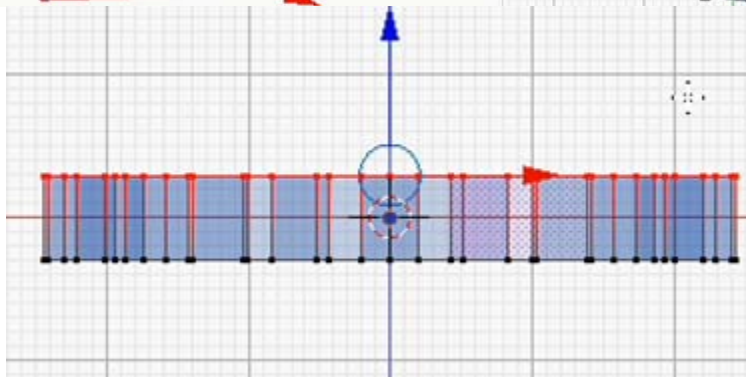
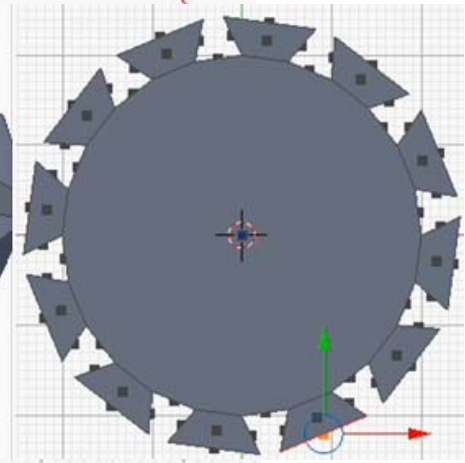
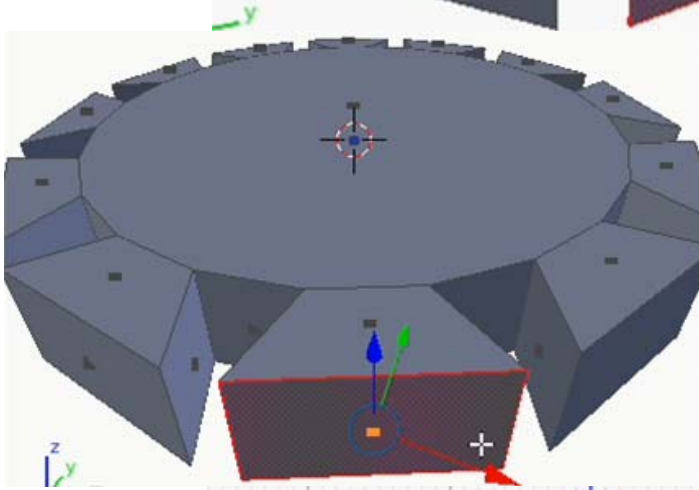
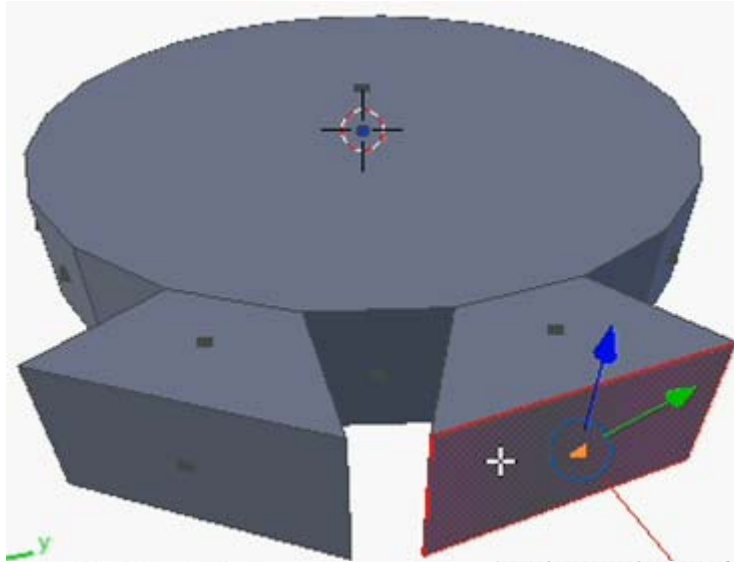
Chapter 9: Stretchy Bracelet

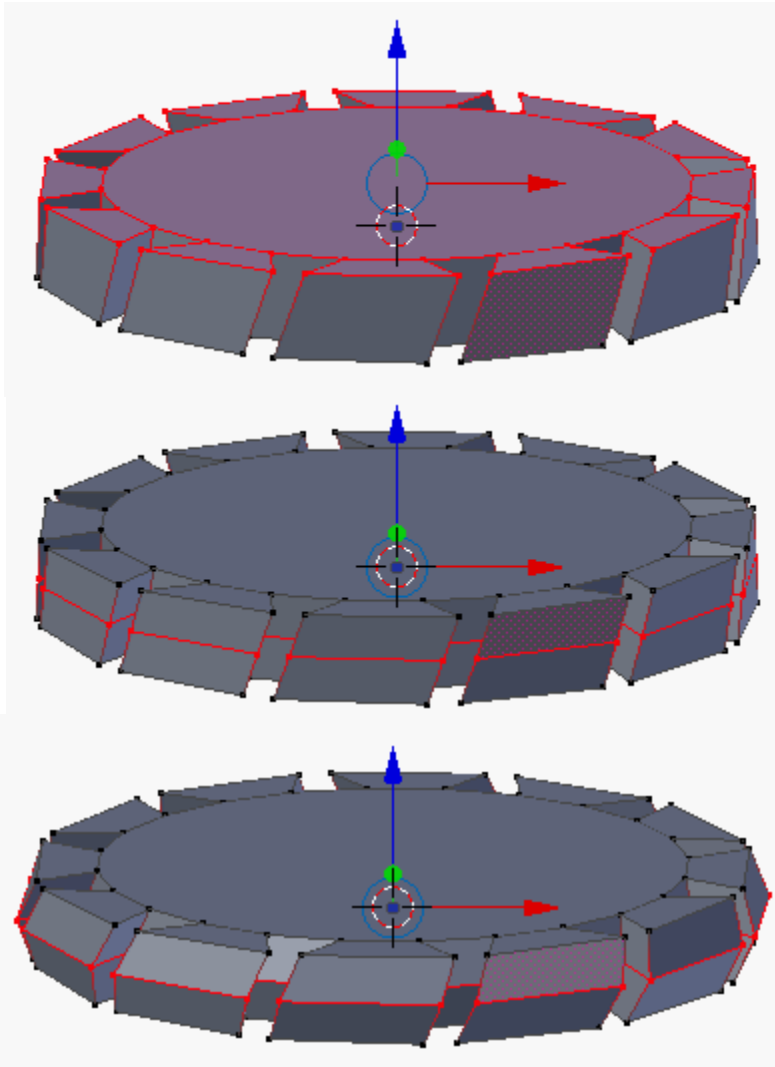


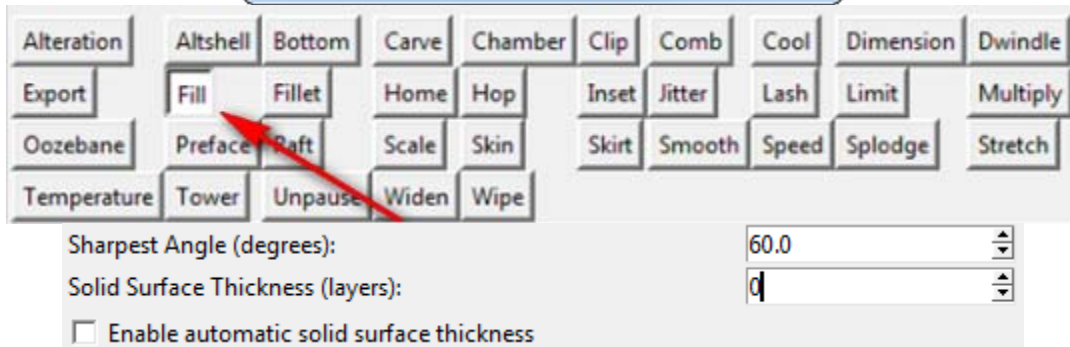
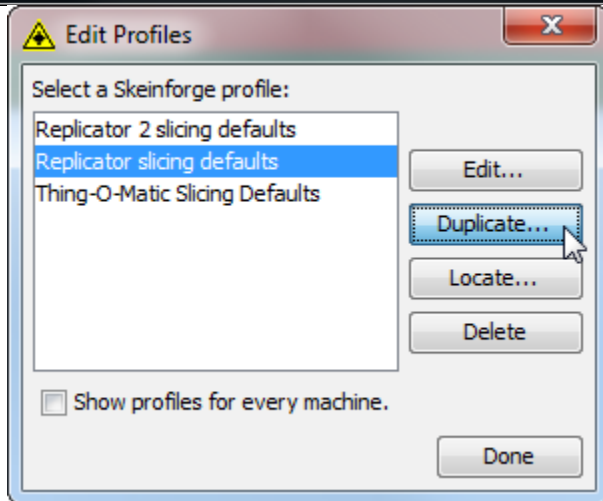
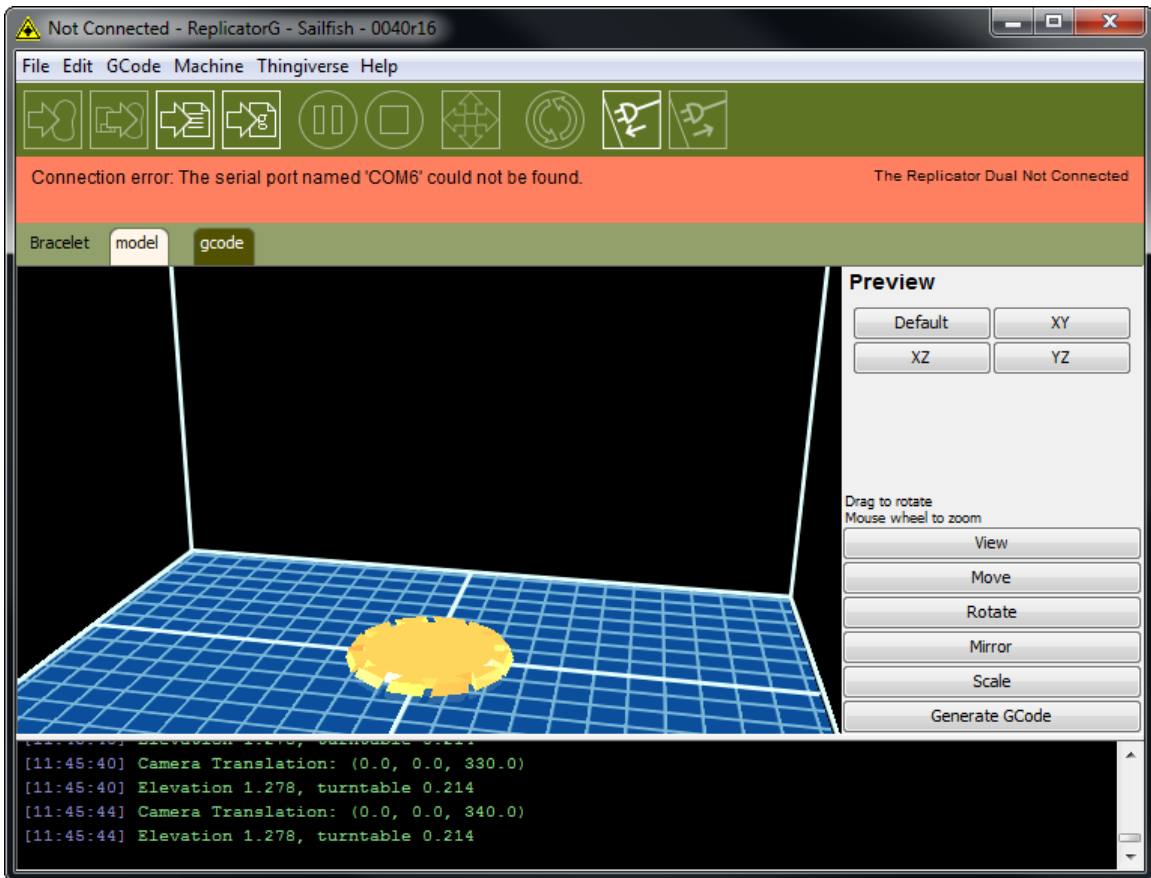
The following is an alternative image for the previous one:











Slicing Profile: NoFill

Use Left extruder

Use Raft/Support

Use support material Exterior support

Use default start/end gcode

Use Print-O-Matic (stepper extruders only)

Settings Plastic Extruder Defaults

Object infill (%) 0

Layer Height (mm) .15

Number of shells: 3

Feedrate (mm/s) 90

Travel Feedrate 120

Print temperature 235

Generate Gcode Cancel

File Edit View MakerBots Services Help

Home View Add Make Save Help!

Look

Move

Turn

Scale

Object

Put on platform?

This object is off the platform.
Do you want to put it on the platform?

Yes No

MakerBot

The Replicator (Dual)

I want to: Make It Now Export to a File

Export For:

Material:

Quality: Low (Faster) Raft
 Medium Supports
 High (Slower)

▼ Advanced Options

Profile:

Slicer: Skeinforge

Quality | Temperature | Speed

Infill:

Number of Shells:

Layer Height:

Create Profile

Template:

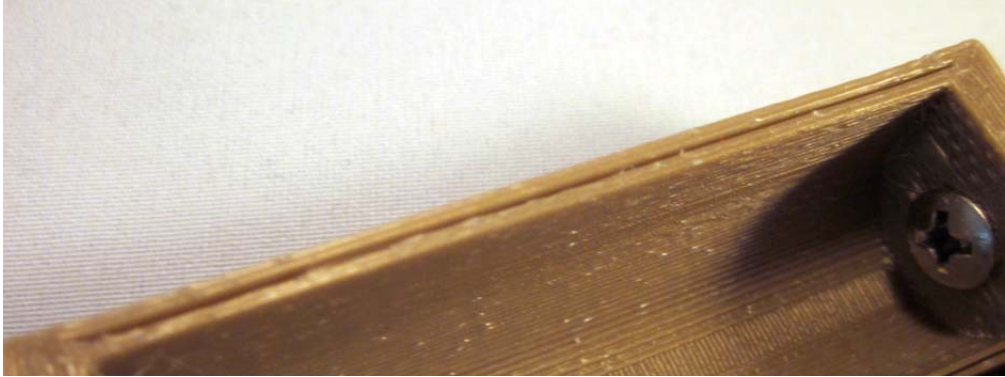
Slicer: MakerBot Slicer

Name:

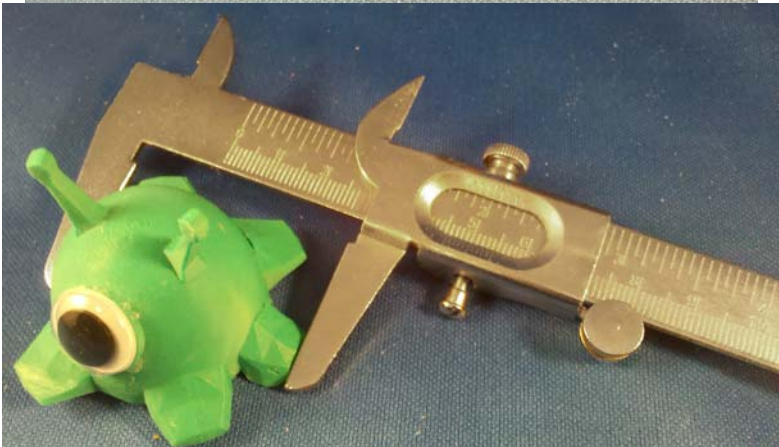
```

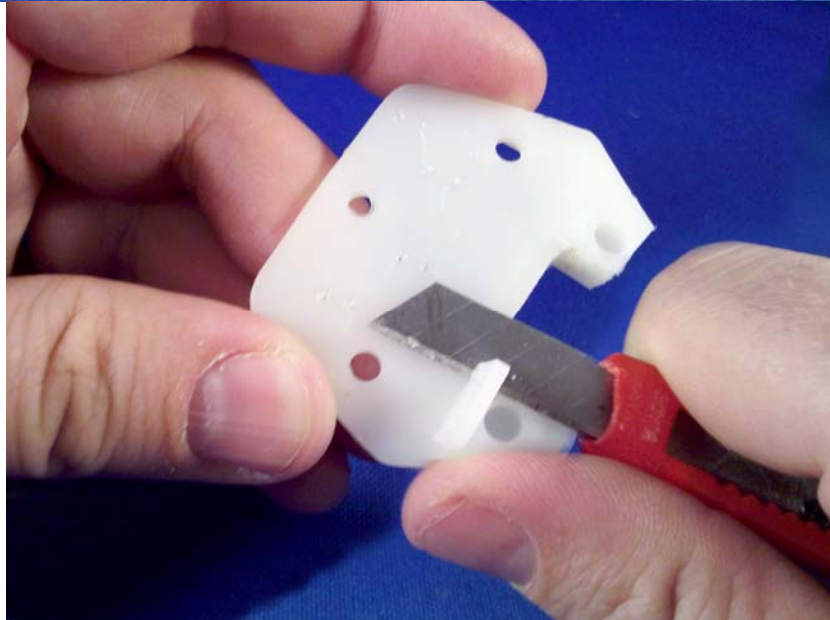
miracle.json - Notepad
File Edit Format View Help
{
  "comment" : [
    "This is a custom profile for MakerBot slicer. Editing it will modify your",
    "slice settings. For documentation on MakerBot slicer parameters, see here:",
    "http://www.makerbot.com/support/makerware/documentation/slicer"
  ]
  , "infillDensity": 0]
  , "numberOfShells": 4
  , "insetDistanceMultiplier": 0.97
  , "infillShellSpacingMultiplier" : 0.70
  , "roofThickness" : 0
  , "floorThickness" : 0
  , "layerWidthRatio": 1.187
}

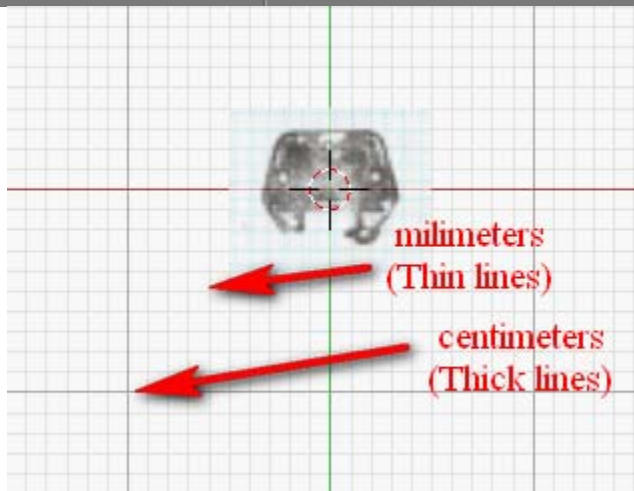
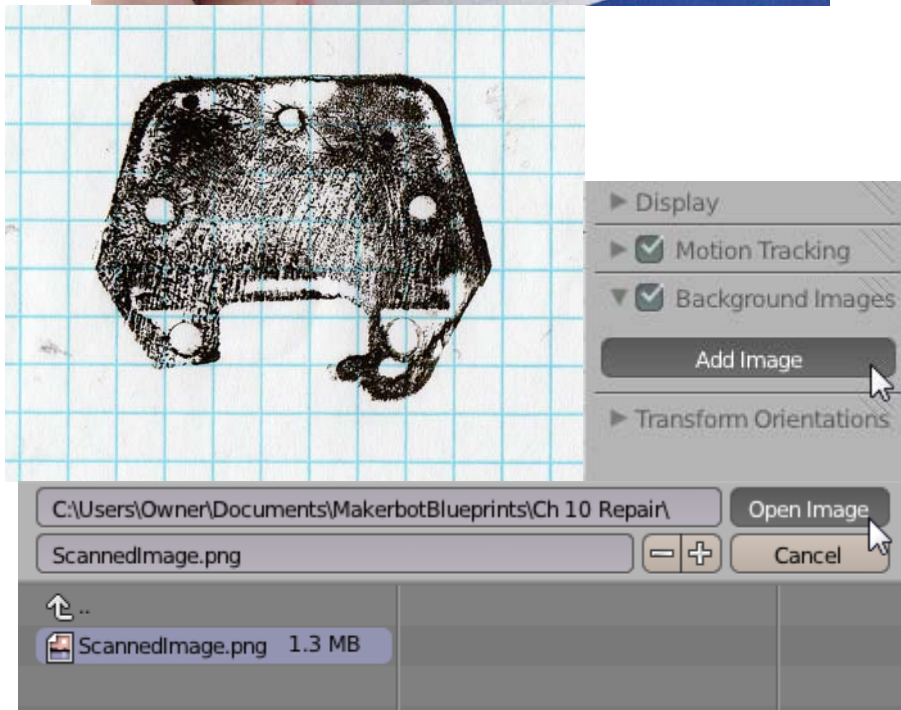
```

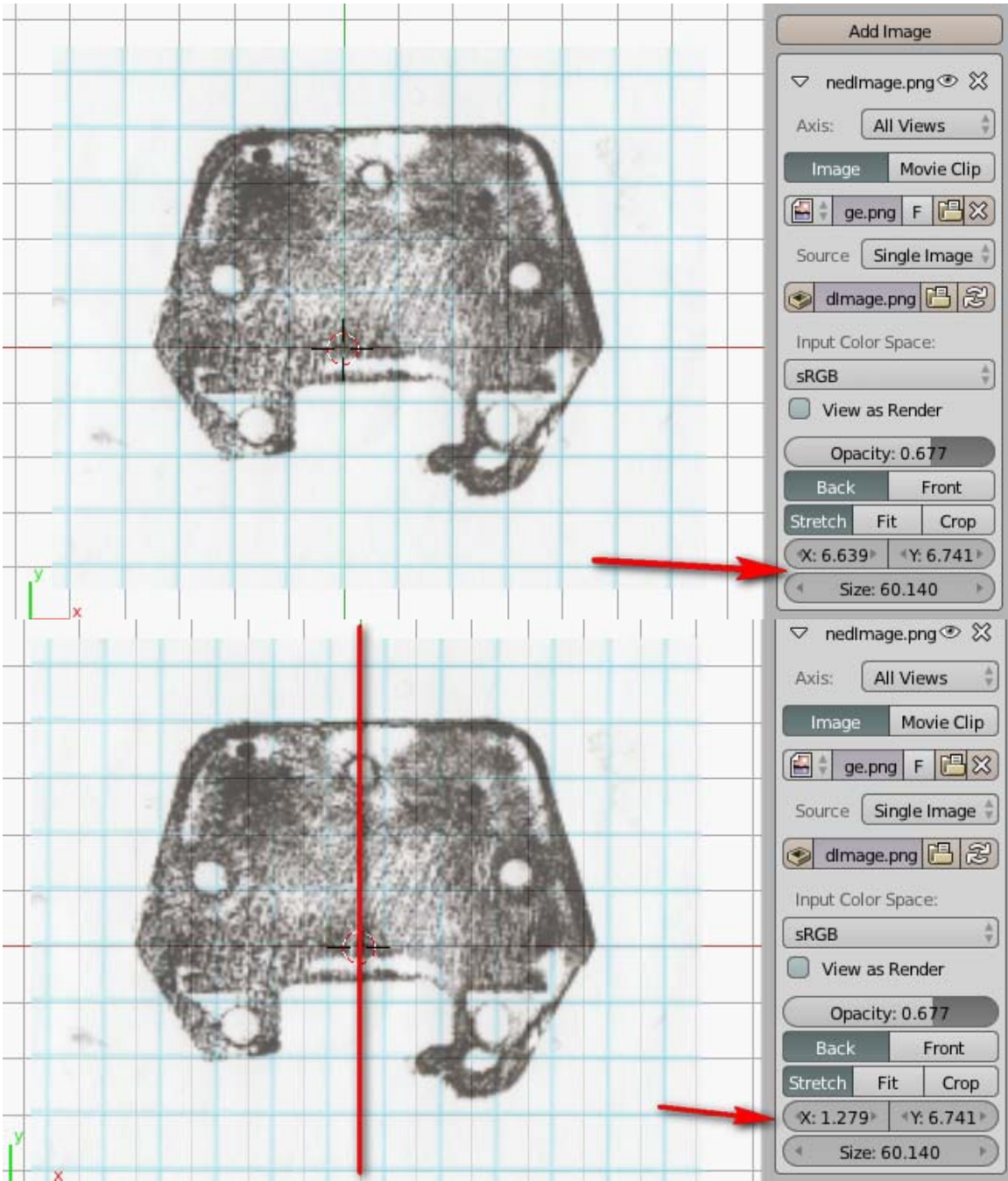


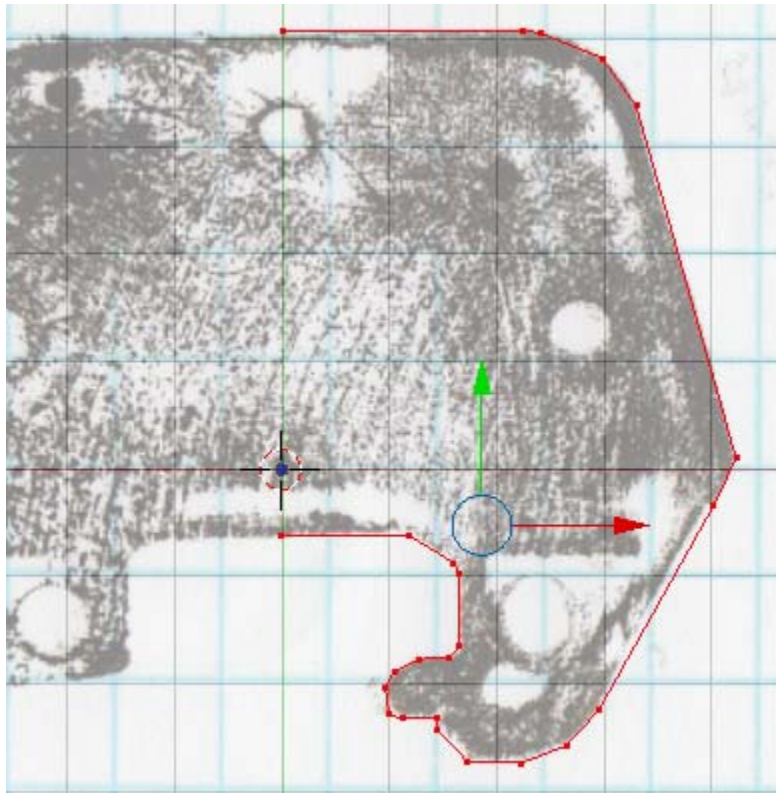
Chapter 10: Measuring – Tips and Tricks











Add Modifier

Mirror

Apply Copy

Axis:	Options:	Textures:
<input checked="" type="checkbox"/> X	<input checked="" type="checkbox"/> Merge	<input type="checkbox"/> U
<input type="checkbox"/> Y	<input type="checkbox"/> Clipping	<input type="checkbox"/> V
<input type="checkbox"/> Z	<input checked="" type="checkbox"/> Vertex Groups	

Merge Limit: 0.001000

Mirror Object:

Object

